



US00D778806S

(12) **United States Design Patent**
Welford

(10) **Patent No.:** **US D778,806 S**

(45) **Date of Patent:** **** Feb. 14, 2017**

(54) **ELECTRIC POWERED SCOOTER**

(71) Applicant: **Virginia Jeanette Welford**, North
Yorkshire (GB)

(72) Inventor: **Virginia Jeanette Welford**, North
Yorkshire (GB)

(**) Term: **15 Years**

(21) Appl. No.: **29/540,027**

(22) Filed: **Sep. 20, 2015**

(51) **LOC (10) Cl.** **21-01**

(52) **U.S. Cl.**
USPC **D12/423**

(58) **Field of Classification Search**
USPC D12/1, 8, 108, 112, 113; D21/419, 421,
D21/423, 426-428, 435, 668-671, 760,
D21/765, 771
CPC B62K 3/002; B62K 9/00; B62K 9/02;
B62K 13/00; B62K 23/08; B62K 2202/00;
B62M 6/00

See application file for complete search history.

(56) **References Cited**

U.S. PATENT DOCUMENTS

5,388,659	A *	2/1995	Pepe	B62K 3/002	180/208
6,343,667	B2 *	2/2002	Sauve	180/181	
D456,460	S *	4/2002	Tseng	D21/423	
D489,771	S *	5/2004	Laver	D21/423	
D497,397	S *	10/2004	Sramek	D21/423	
D656,560	S *	3/2012	Patterson	D21/423	
D672,400	S *	12/2012	Pizzi	D21/423	
D693,414	S *	11/2013	Hadley	D21/423	
D727,833	S *	4/2015	Talios	D12/423	
D748,738	S *	2/2016	Hadley	D21/423	
2001/0022246	A1 *	9/2001	Dunbridge	B62D 61/02	180/65.8

2001/0035308	A1 *	11/2001	Sauve	B62D 61/02	180/228
2002/0088659	A1 *	7/2002	Wong	B62D 61/02	180/220
2002/0170763	A1 *	11/2002	Townsend	B60L 15/20	180/220

(Continued)

OTHER PUBLICATIONS

“Razor E300 Series.” Razor., Oct. 31, 2014 [online], [retrieved on Aug. 18, 2016]. Retrieved from the Internet <URL: https://0075397ca1480a6422a6-373ec2a9a8c1bd0dc32a6d880ae07ded.ssl.cf1.rackcdn.com/wp-content/uploads/2011/11/E3XX_MAN_US_141031.pdf>.*

(Continued)

Primary Examiner — Darlington Ly
(74) *Attorney, Agent, or Firm* — Mitchell Law PLLC;
Matthew W. Mitchell

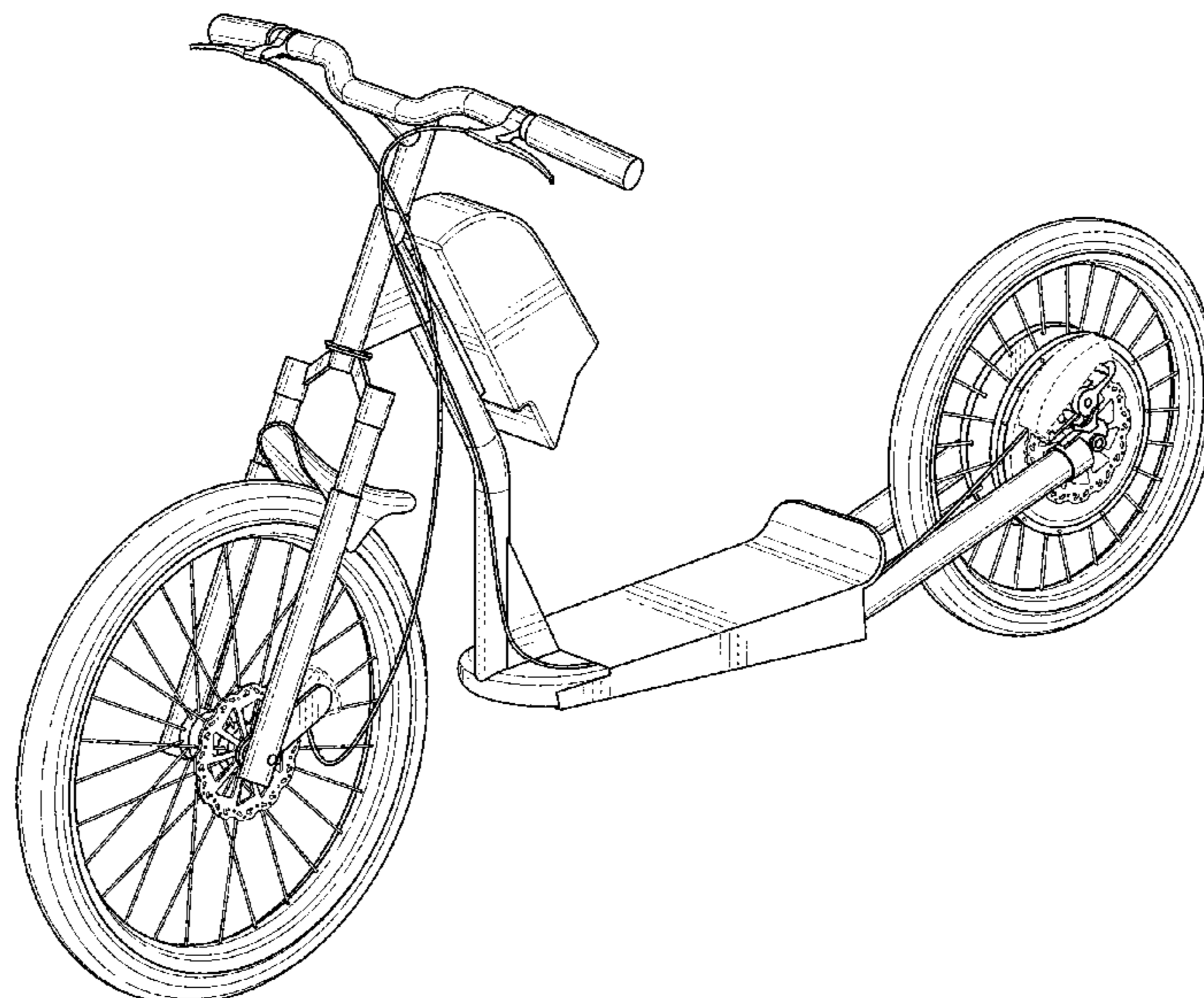
(57) **CLAIM**

The ornamental design for an electric powered scooter, as shown and described.

DESCRIPTION

FIG. 1 is a front perspective view of the electric powered scooter of the present invention;
FIG. 2 is a side view of the invention of FIG. 1, as seen from the right side of FIG. 4;
FIG. 3 is a side view of the invention of FIG. 1, as seen from the left side of FIG. 4;
FIG. 4 is a front view of the invention of FIG. 1;
FIG. 5 is a back view of the invention of FIG. 1;
FIG. 6 is a top view of the invention of FIG. 1; and,
FIG. 7 is a bottom view of the invention of FIG. 1.
The broken lines in the drawings illustrate portions of the electric powered scooter that forms no part of the claimed design.

1 Claim, 6 Drawing Sheets



(56)

References Cited

U.S. PATENT DOCUMENTS

2004/0050603 A1* 3/2004 Jaeger B62M 6/90
180/181
2004/0079571 A1* 4/2004 Laver B62M 6/60
180/180
2013/0186702 A1* 7/2013 Hadley F16D 49/00
180/220
2014/0196968 A1* 7/2014 Bieler B62M 6/65
180/181
2015/0166141 A1* 6/2015 Lovley, II B62K 3/002
280/87.041

OTHER PUBLICATIONS

“Hello Kitty Electric Scooter—Owners Manual.” Dynacraft Wheels., Apr. 26, 2014 [online], [retrieved on Aug. 18, 2016]. Retrieved from the Internet <URL: [http://www.dynacraftwheels.com/assets/manuals/BM069%020ELECTRIC_SCOOTER_MANUAL_12FMA\(1\).pdf](http://www.dynacraftwheels.com/assets/manuals/BM069%020ELECTRIC_SCOOTER_MANUAL_12FMA(1).pdf)>.*

“3 Best Electric Scooters for Kids—Plus Off-Road!” Cool Kiddy Stuff., May 21, 2015 [online], [retrieved on Aug. 18, 2016]. Retrieved from the Internet <URL: <http://www.coolkiddystuff.com/best-electric-scooter-for-kids/>>.*

Gordon, Brett. “The Best Electric Scooter (Guide)—2016 Reviews.” Top Rate Ten., Aug. 3, 2015 [online], [retrieved on Aug. 18, 2016]. Retrieved from the Internet <URL: <http://www.coolkiddystuff.com/best-electric-scooter-for-kids/>>.*

* cited by examiner

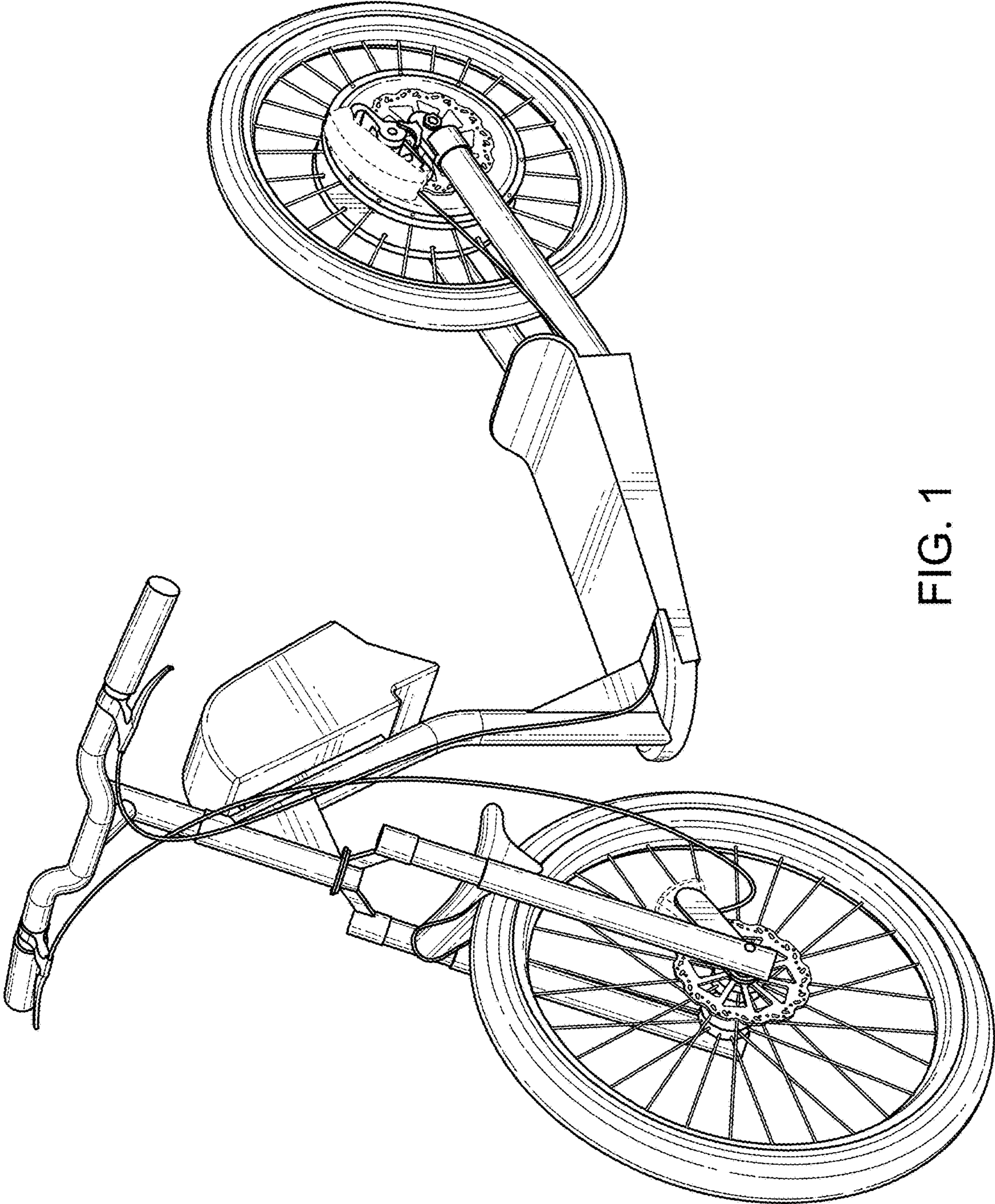


FIG. 1

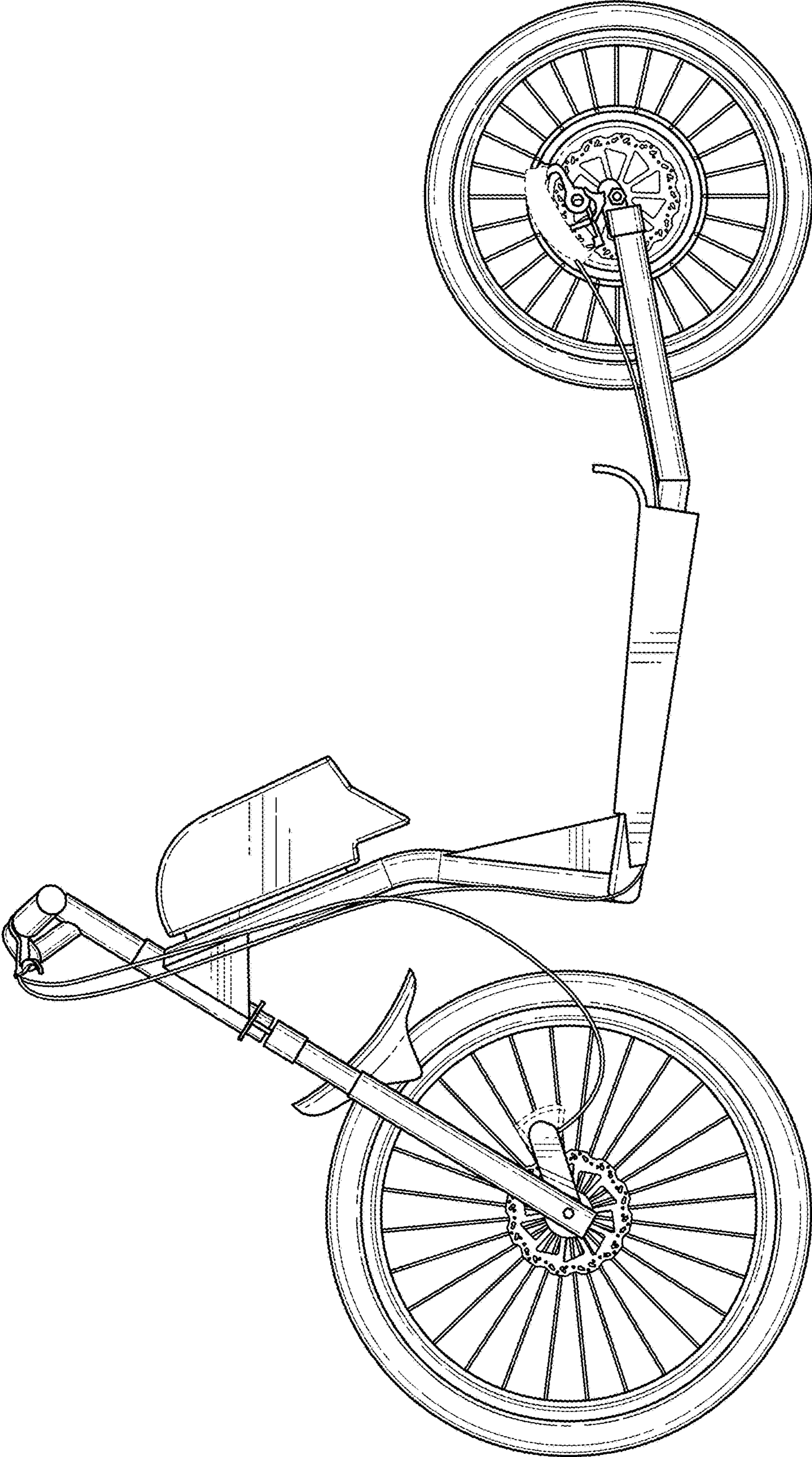


FIG. 2

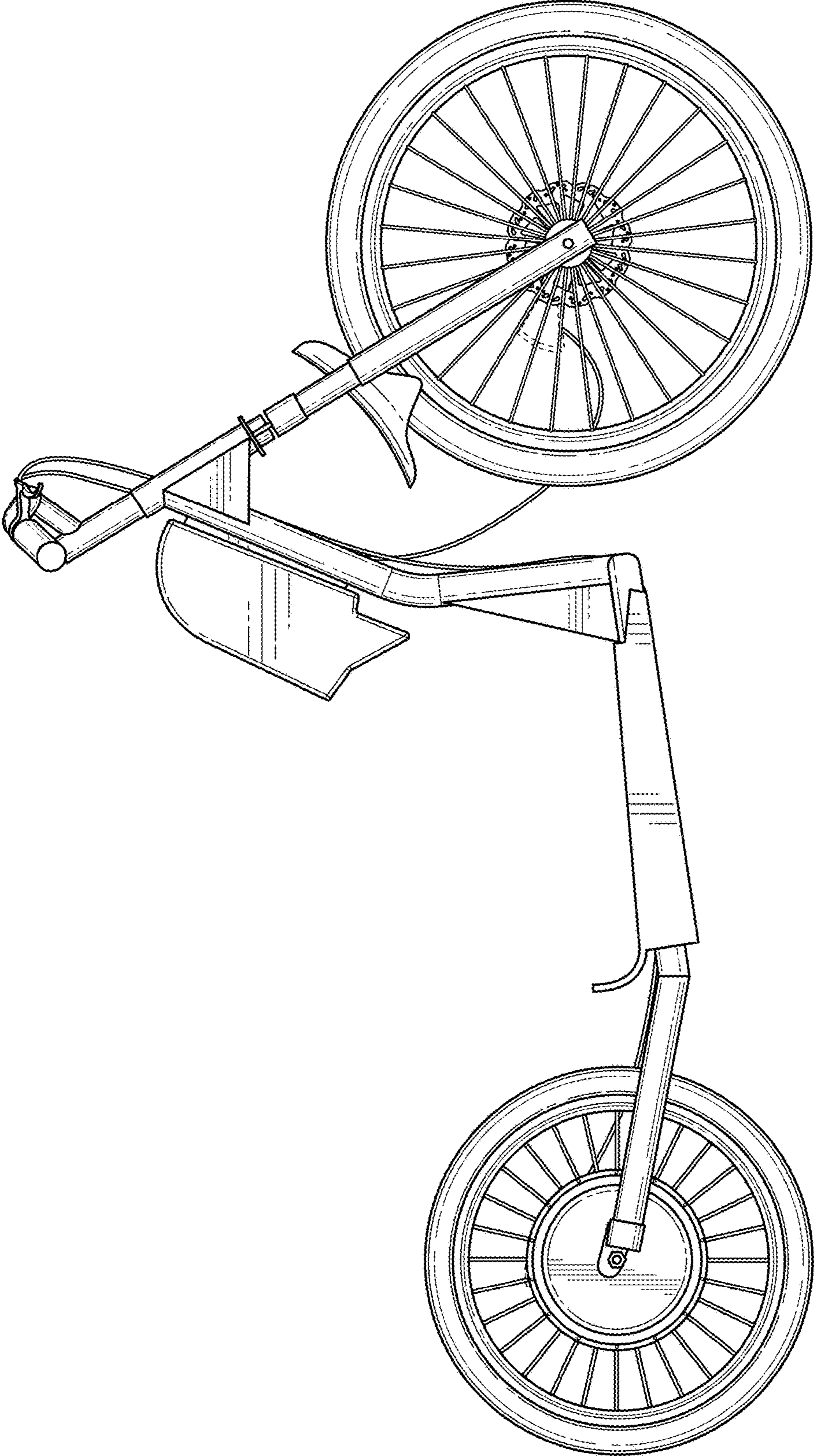


FIG. 3

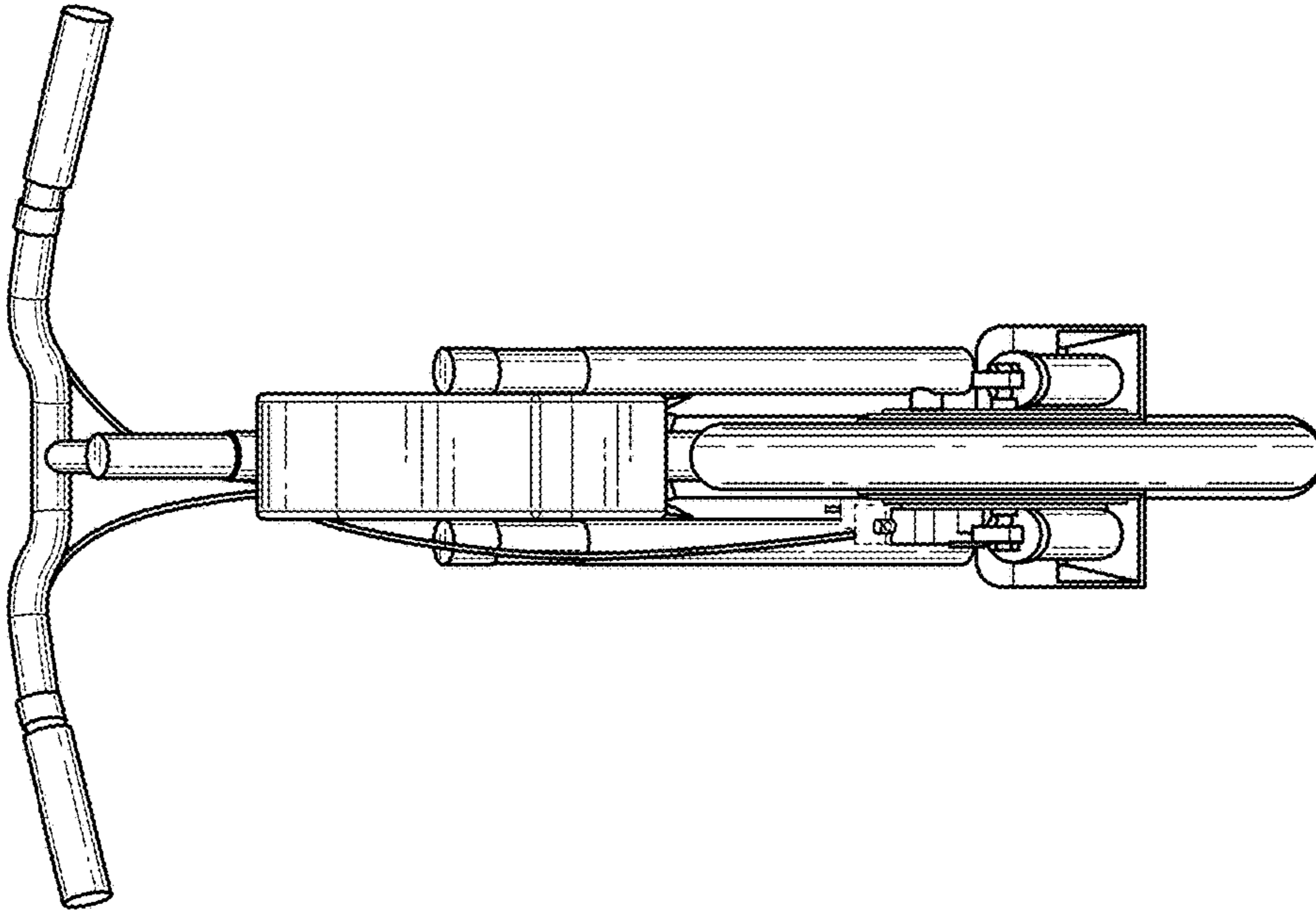


FIG. 5

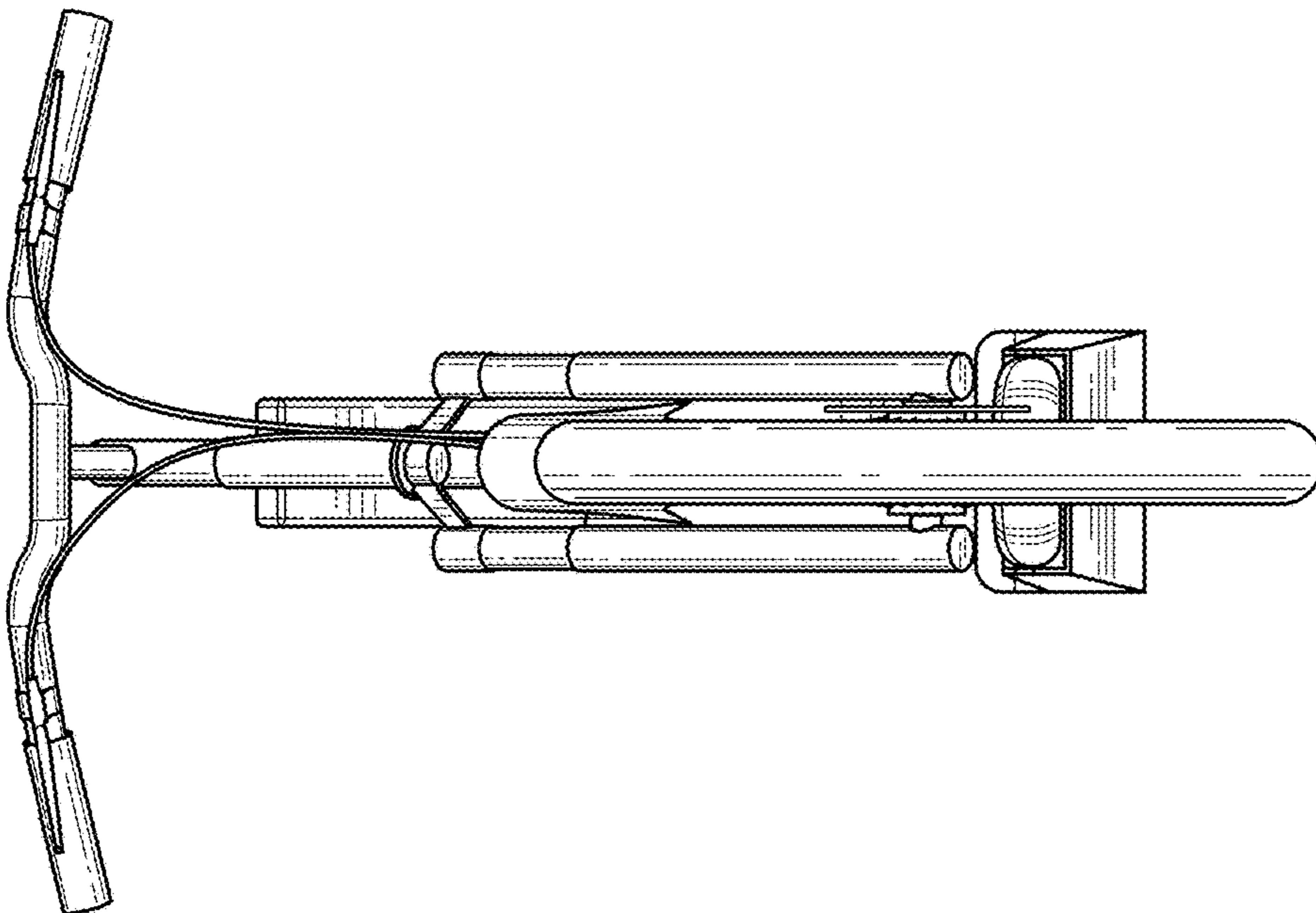


FIG. 4

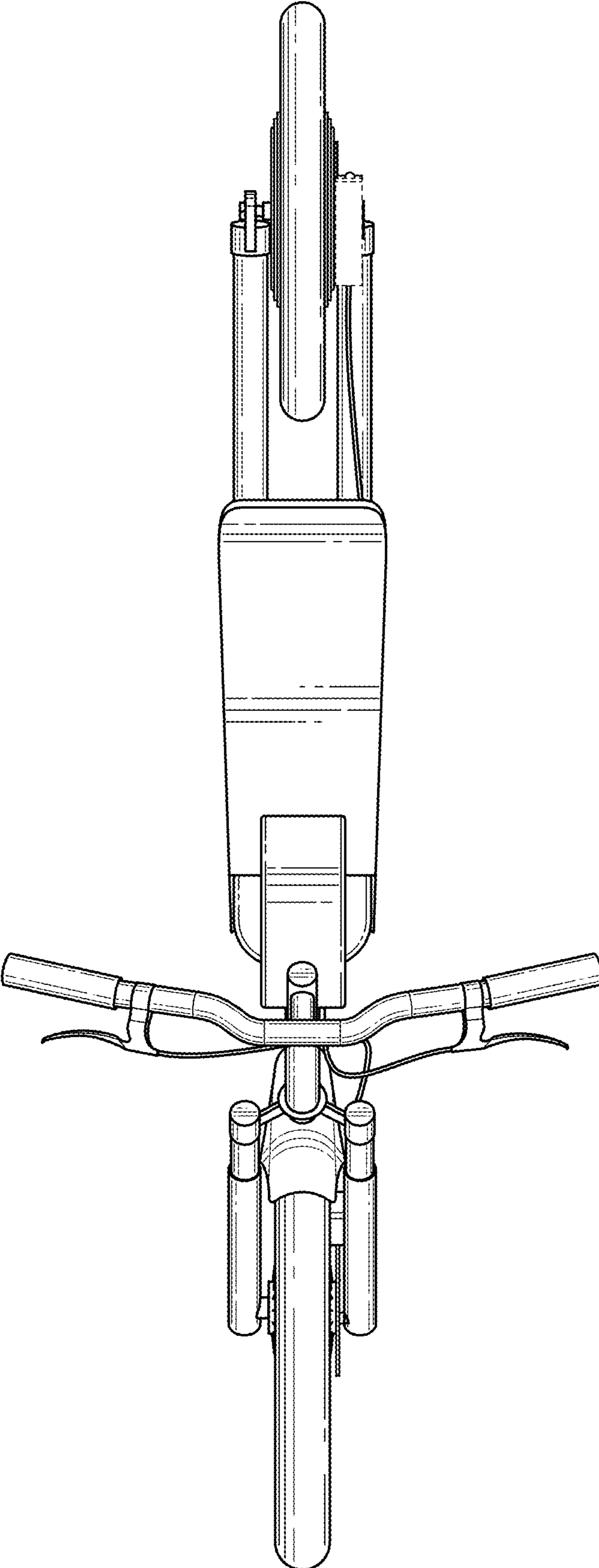


FIG. 6

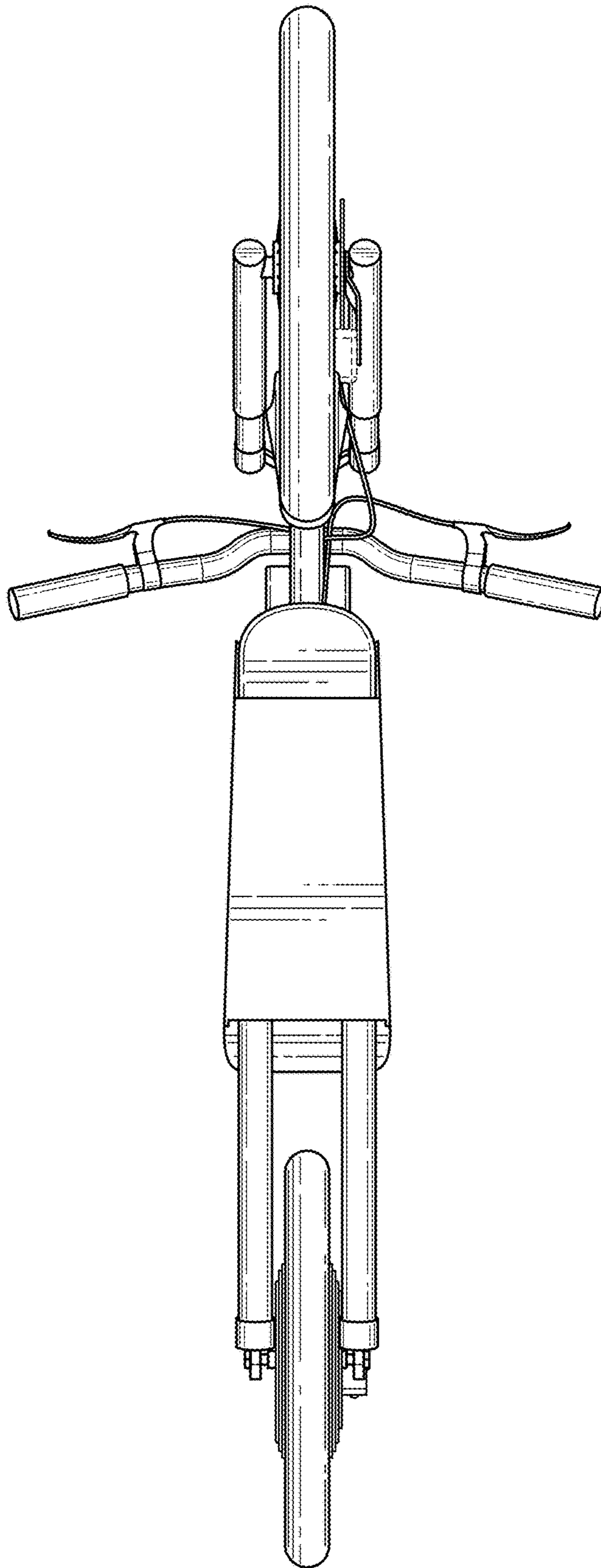


FIG. 7