



US00D778805S

(12) **United States Design Patent**
Klinck et al.

(10) **Patent No.:** **US D778,805 S**

(45) **Date of Patent:** **** Feb. 14, 2017**

- (54) **STRAP HANGER**
- (71) Applicants: **Amatrimara Inc.**, Oakville (CA);
Bentech Inc., Philadelphia, PA (US)
- (72) Inventors: **Michael Klinck**, Oakville (CA); **Scott Strong**, Oakville (CA); **Scott Weber**, Bethlehem, PA (US); **Robert Benninghoff**, Maple Shade, NJ (US)
- (73) Assignees: **Amatrimara Inc.**, Oakville, ON (CA);
Bentech Inc., Philadelphia, PA (US)
- (**) Term: **14 Years**
- (21) Appl. No.: **29/508,816**
- (22) Filed: **Nov. 11, 2014**
- (51) **LOC (10) Cl.** **12-16**
- (52) **U.S. Cl.**
USPC **D12/400**
- (58) **Field of Classification Search**
USPC D12/400.42; D11/200-202, 212, 214,
D11/215
CPC B61D 37/00; B61D 49/00; B61F 5/122
See application file for complete search history.

- 1,999,958 A * 4/1935 Clark B61D 49/00
105/354
- 2,130,283 A * 9/1938 Lewis B61D 49/00
105/354
- 2,137,622 A * 11/1938 Munro B61D 49/00
105/354
- 2,500,415 A * 3/1950 Johnson B60N 3/023
105/354
- 2,688,288 A * 9/1954 Harris B61D 49/00
105/354
- 2,974,611 A * 3/1961 Tangeman B61D 49/00
105/354
- D638,330 S * 5/2011 Fahrendorff D11/200
- D712,555 S * 9/2014 Berg D24/190

* cited by examiner

Primary Examiner — Katrina A Betton

(74) *Attorney, Agent, or Firm* — Venjuris, PC

(57) **CLAIM**

The ornamental design for a strap hanger, as shown and described.

DESCRIPTION

FIG. 1 is a front perspective view of a strap hanger, FIG. 2 is a front view of a strap hanger, FIG. 3 is a left side view of a strap hanger, FIG. 4 is a back view of a strap hanger, FIG. 5 is a right side view of a strap hanger, FIG. 6 is a top view of a strap hanger; and, FIG. 7 is a bottom view of a strap hanger.

1 Claim, 4 Drawing Sheets

- (56) **References Cited**
U.S. PATENT DOCUMENTS
1,729,988 A * 10/1929 Clark B61D 49/00
105/354
1,799,062 A * 3/1931 Puzo B61D 49/00
105/354

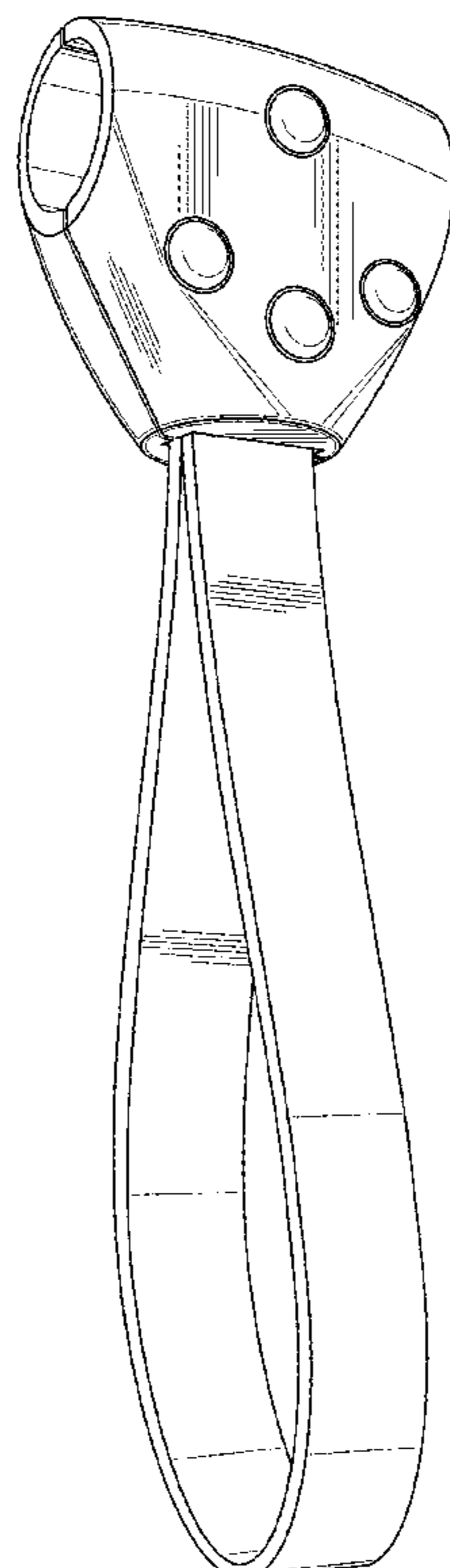


Fig. 1

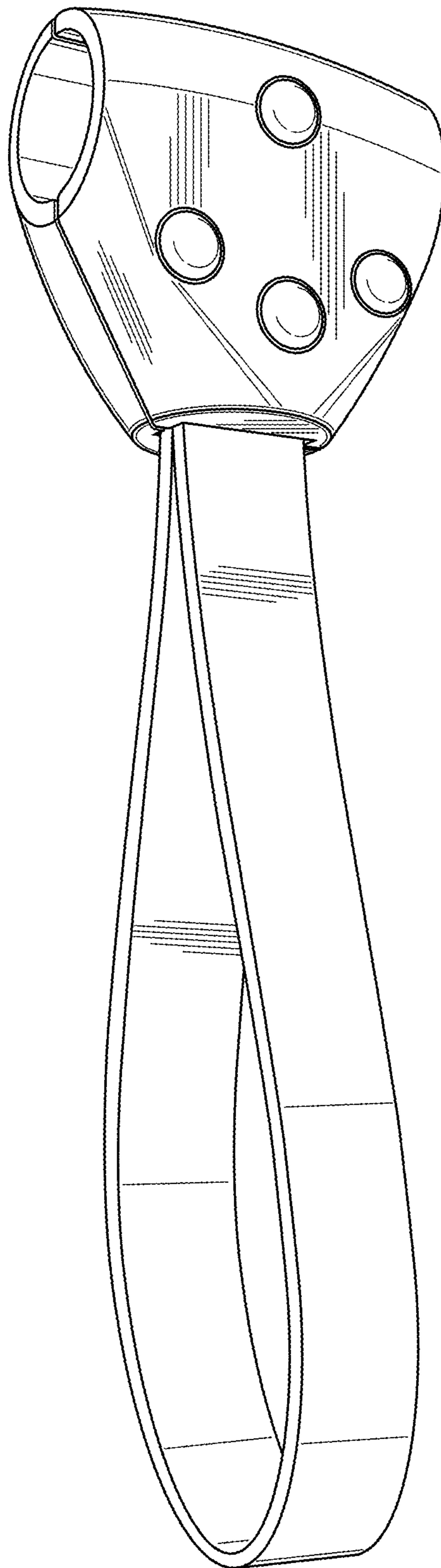


Fig.2

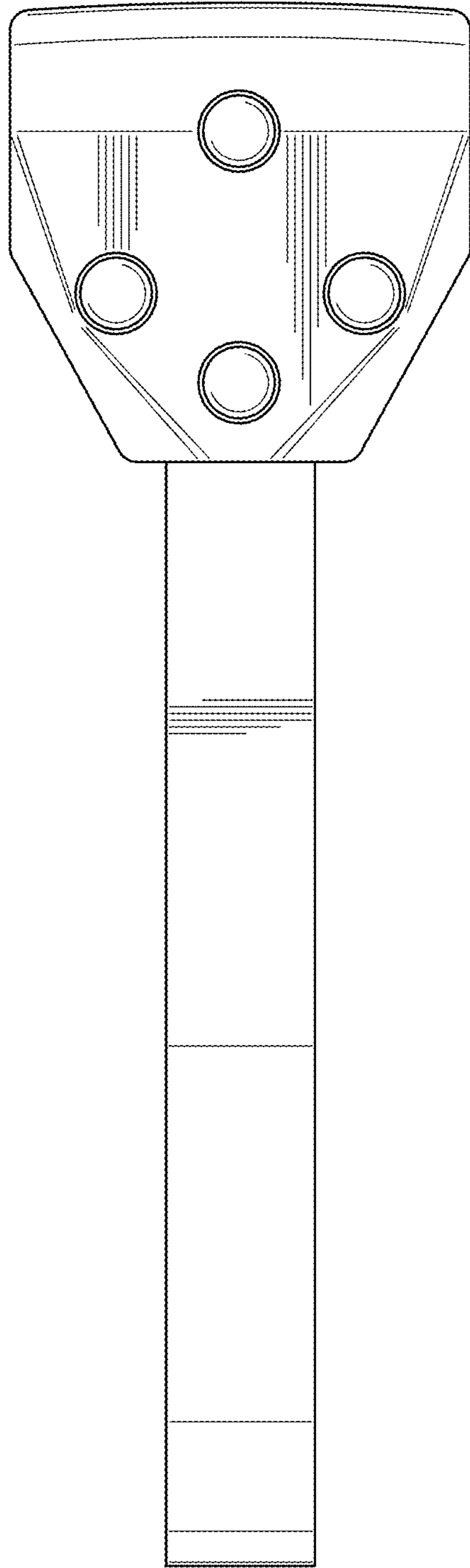


Fig.3

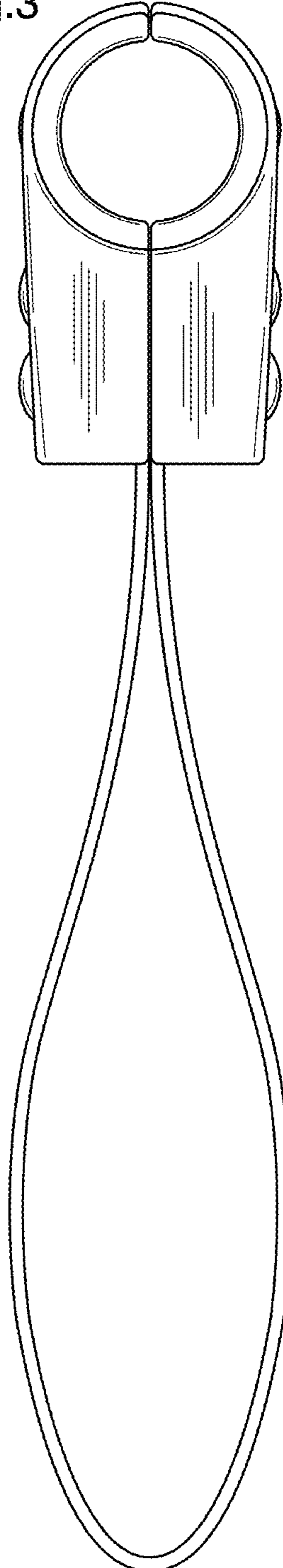


Fig.4

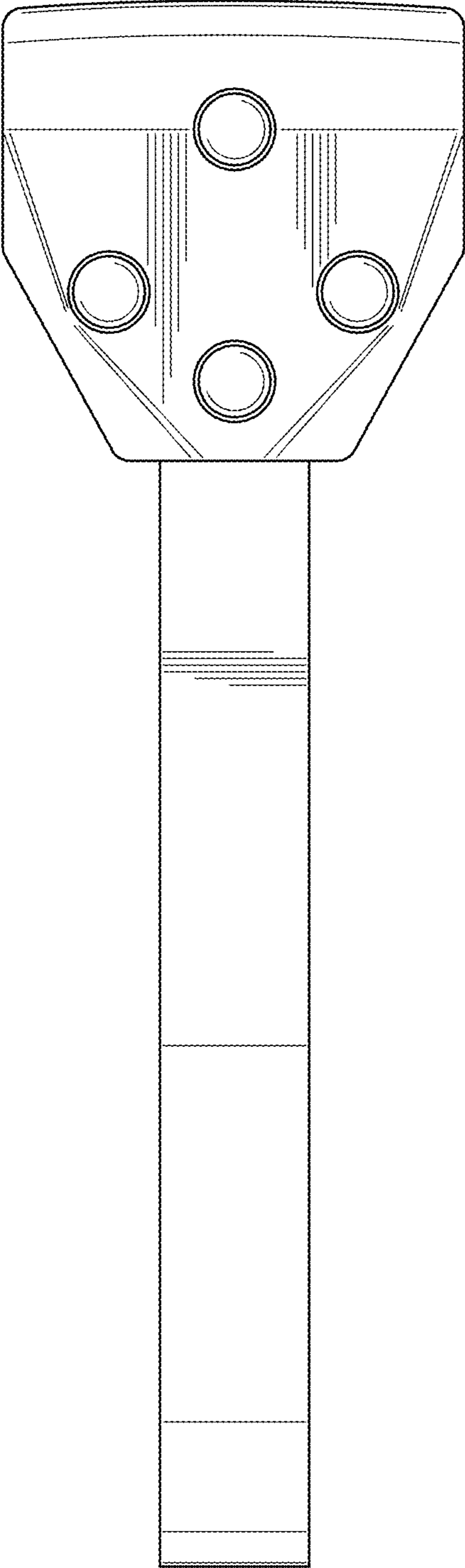


Fig.5

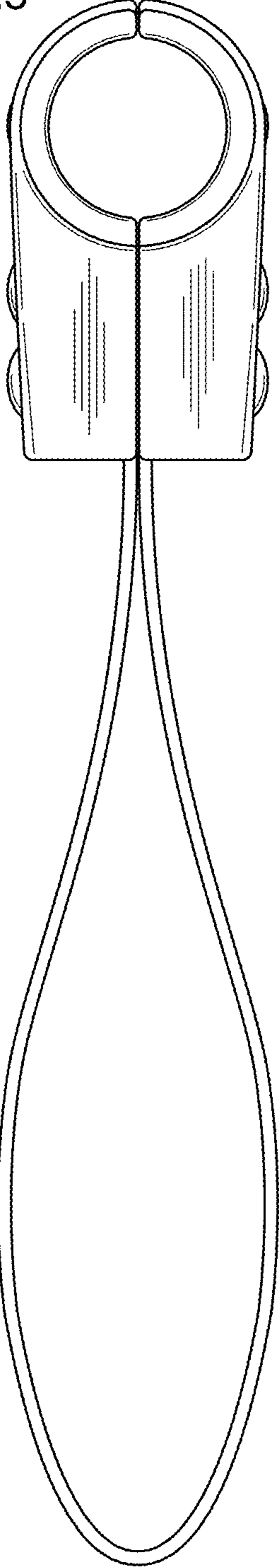


Fig.6

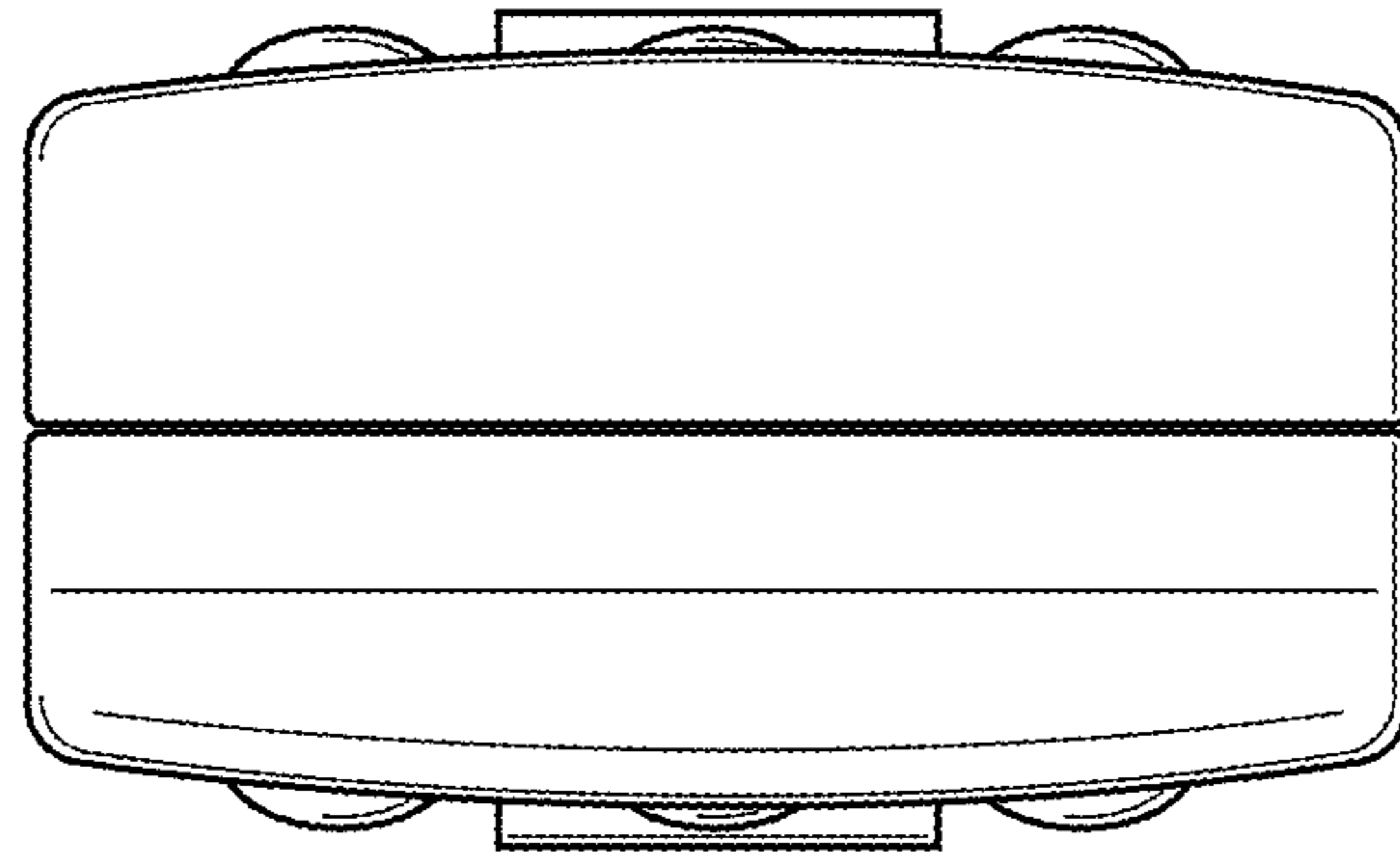


Fig.7

