



US00D778804S

(12) **United States Design Patent**
Janousek

(10) **Patent No.:** **US D778,804 S**

(45) **Date of Patent:** **** Feb. 14, 2017**

(54) **AIRPLANE EXTERIOR CASE FOR CAMERA**

(71) Applicant: **Mary T. Janousek**, Live Oak, FL (US)

(72) Inventor: **Mary T. Janousek**, Live Oak, FL (US)

(**) Term: **15 Years**

(21) Appl. No.: **29/505,246**

(22) Filed: **Aug. 10, 2015**

(51) **LOC (10) Cl.** **12-07**

(52) **U.S. Cl.**
USPC **D12/345**

(58) **Field of Classification Search**
USPC D12/16.1, 319, 323-345; D21/436, 438,
D21/439, 440, 441, 447, 448, 449, 450,
D21/452, 453, 454, 455; D26/26, 56, 60,
D26/72; D16/203, 214
CPC B64C 1/062; B64C 39/024; B64C 27/08
See application file for complete search history.

(56) **References Cited**

U.S. PATENT DOCUMENTS

D230,189 S * 1/1974 Dietz D26/26
D425,534 S * 5/2000 Mutoh D10/106.1
D426,904 S * 6/2000 Simon D26/26

D429,352 S * 8/2000 Weinstein D26/26
D484,633 S * 12/2003 Campagna D26/72
D603,887 S * 11/2009 Alm D16/203
D649,573 S * 11/2011 Al D16/202
D693,868 S * 11/2013 Ying D16/203
D697,119 S * 1/2014 Park D16/202
D702,274 S * 4/2014 Qian D16/203
D721,754 S * 1/2015 Chen D16/202
D736,292 S * 8/2015 Fengmin D16/203
D746,350 S * 12/2015 Li D16/203

* cited by examiner

Primary Examiner — Robert M Spear

Assistant Examiner — Marissa J Cash

(74) *Attorney, Agent, or Firm* — Paul R. Martin

(57) **CLAIM**

The ornamental design for an airplane exterior case for camera, as shown and described.

DESCRIPTION

FIG. 1 is a perspective view of the airplane exterior case for camera of my new design.

FIG. 2. Is a back elevational view thereof.

FIG. 3 is a front elevational view thereof.

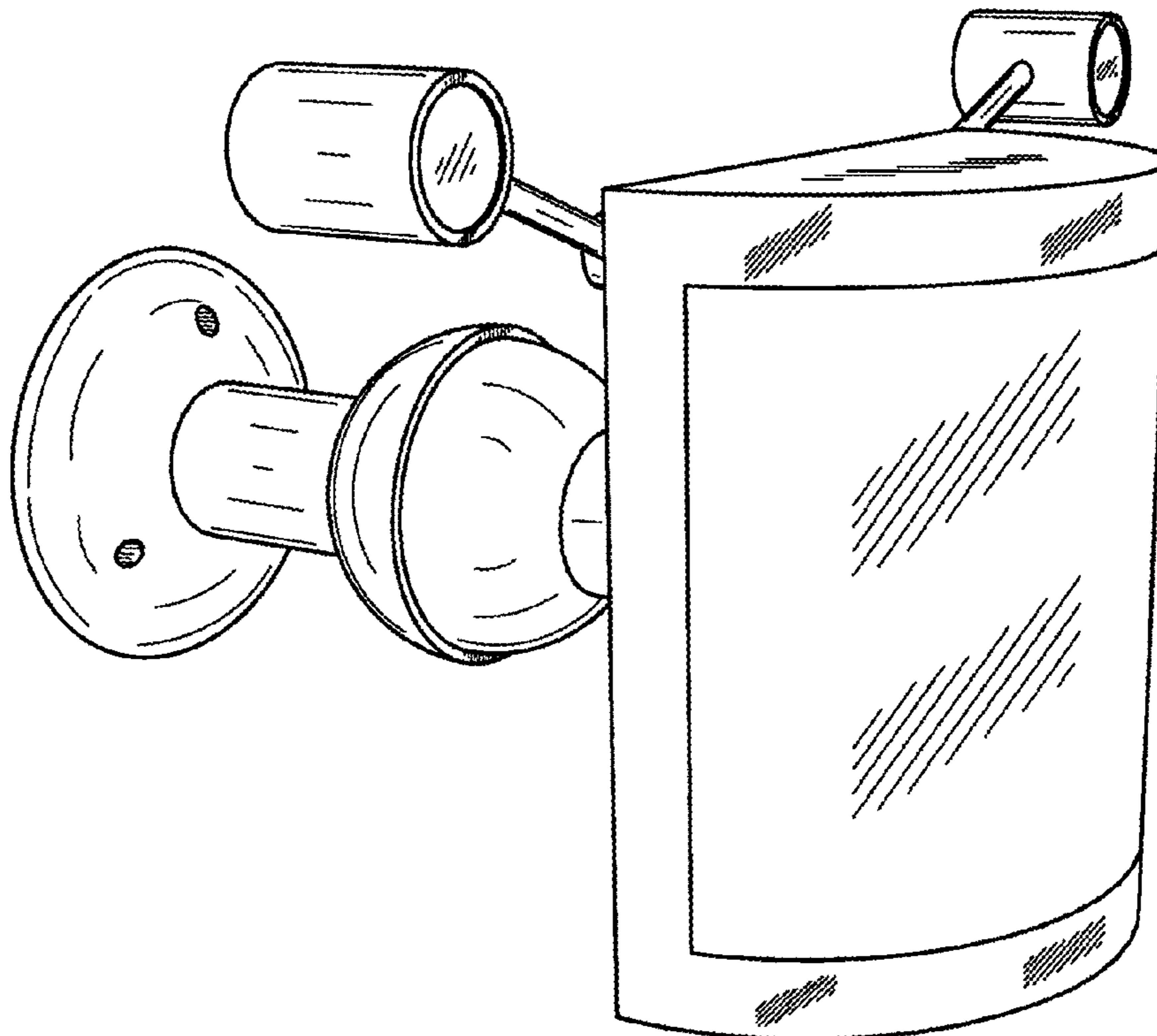
FIG. 4 is a left side elevational view thereof.

FIG. 5 is a right side elevational view thereof.

FIG. 6 is a top plan view thereof; and,

FIG. 7 is a bottom plan view thereof.

1 Claim, 5 Drawing Sheets



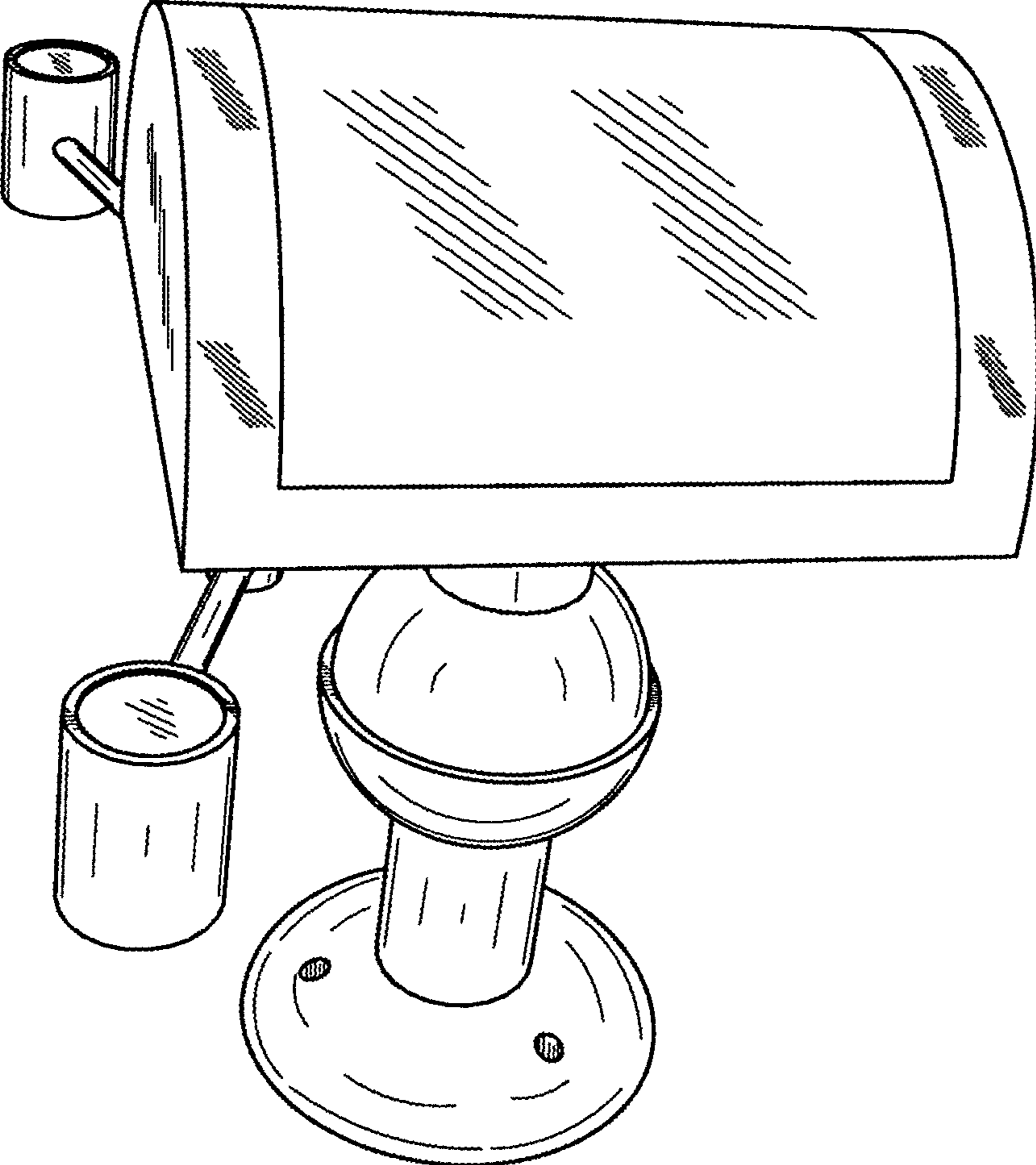


FIG. 1

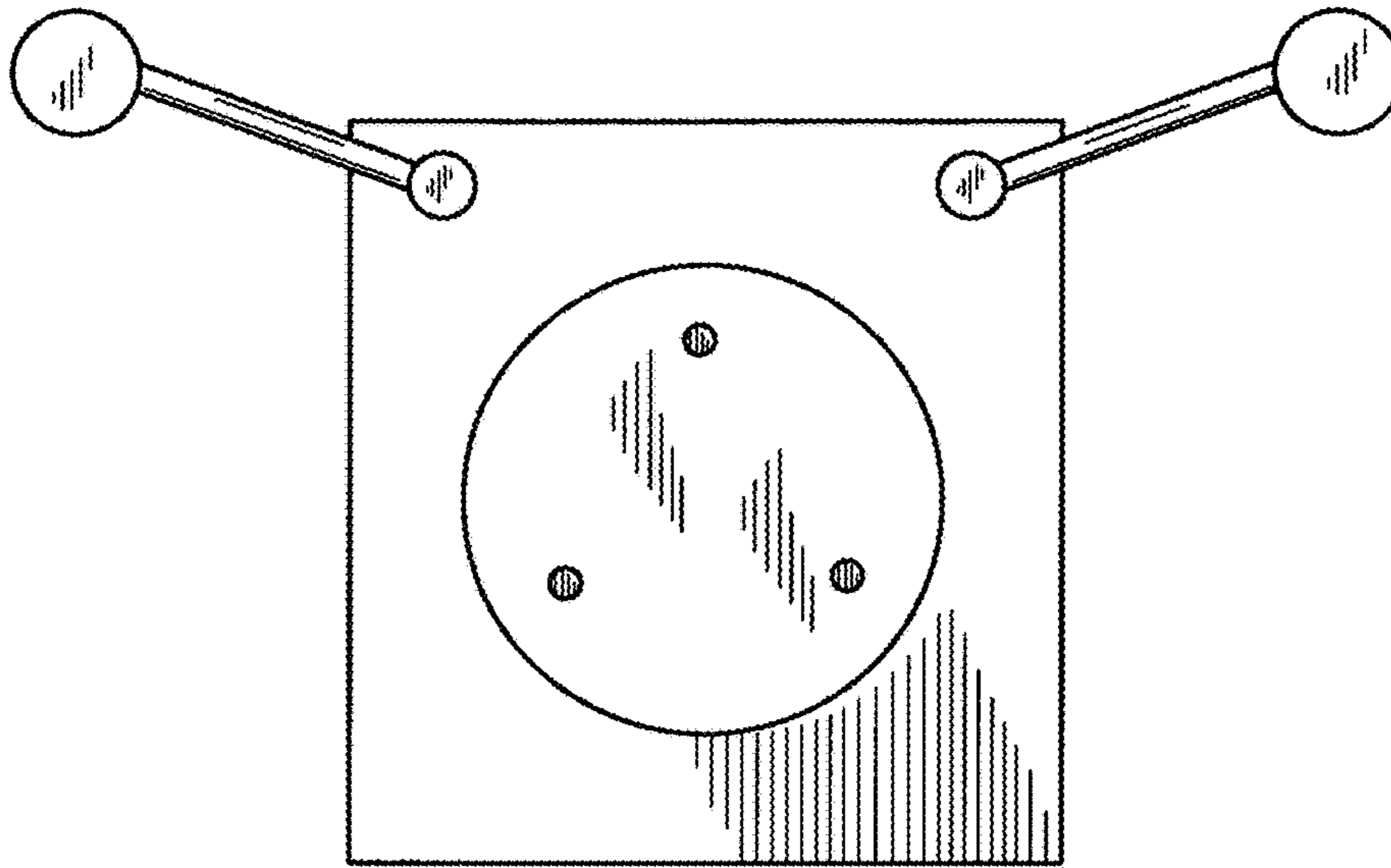


FIG. 2

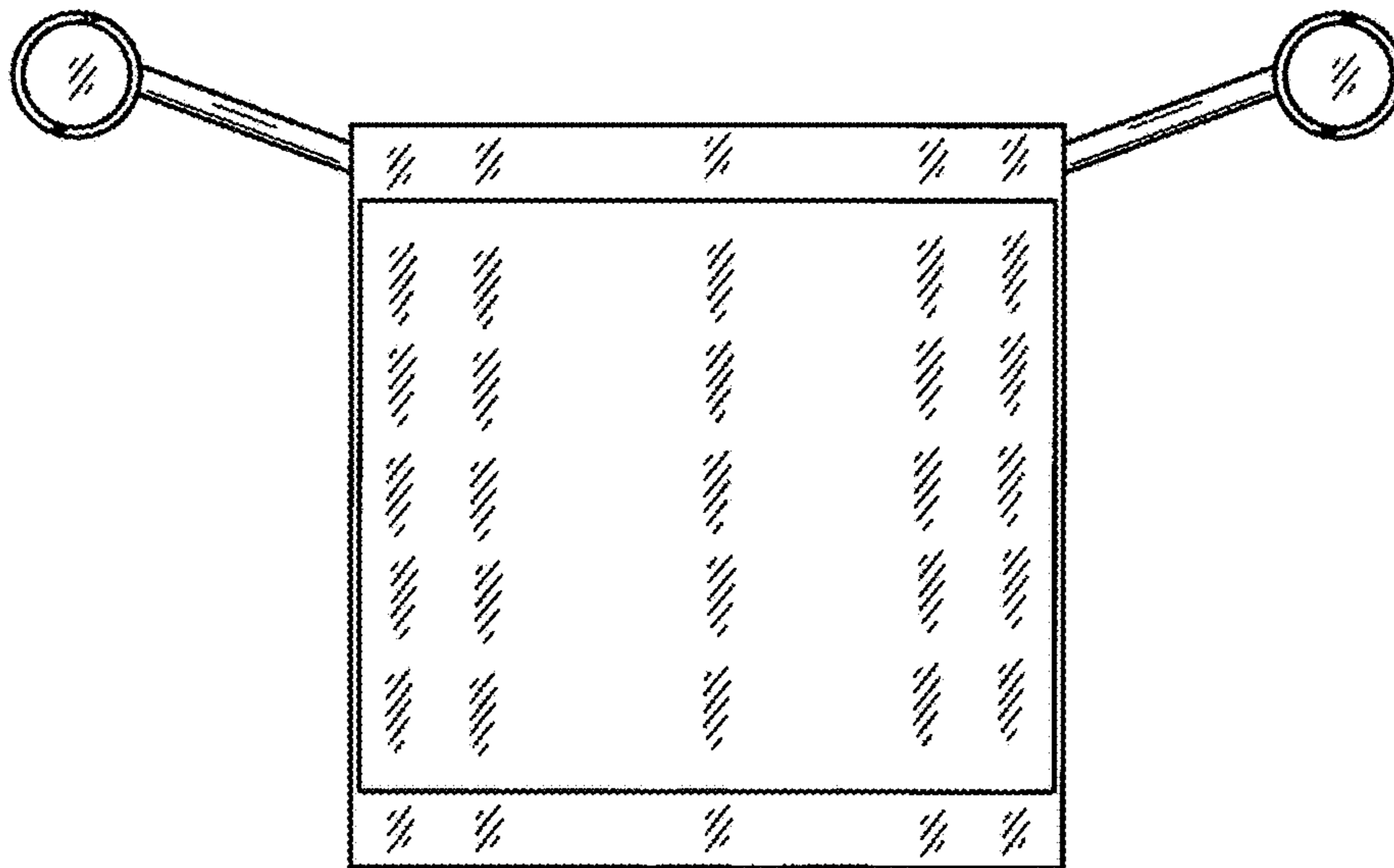


FIG. 3

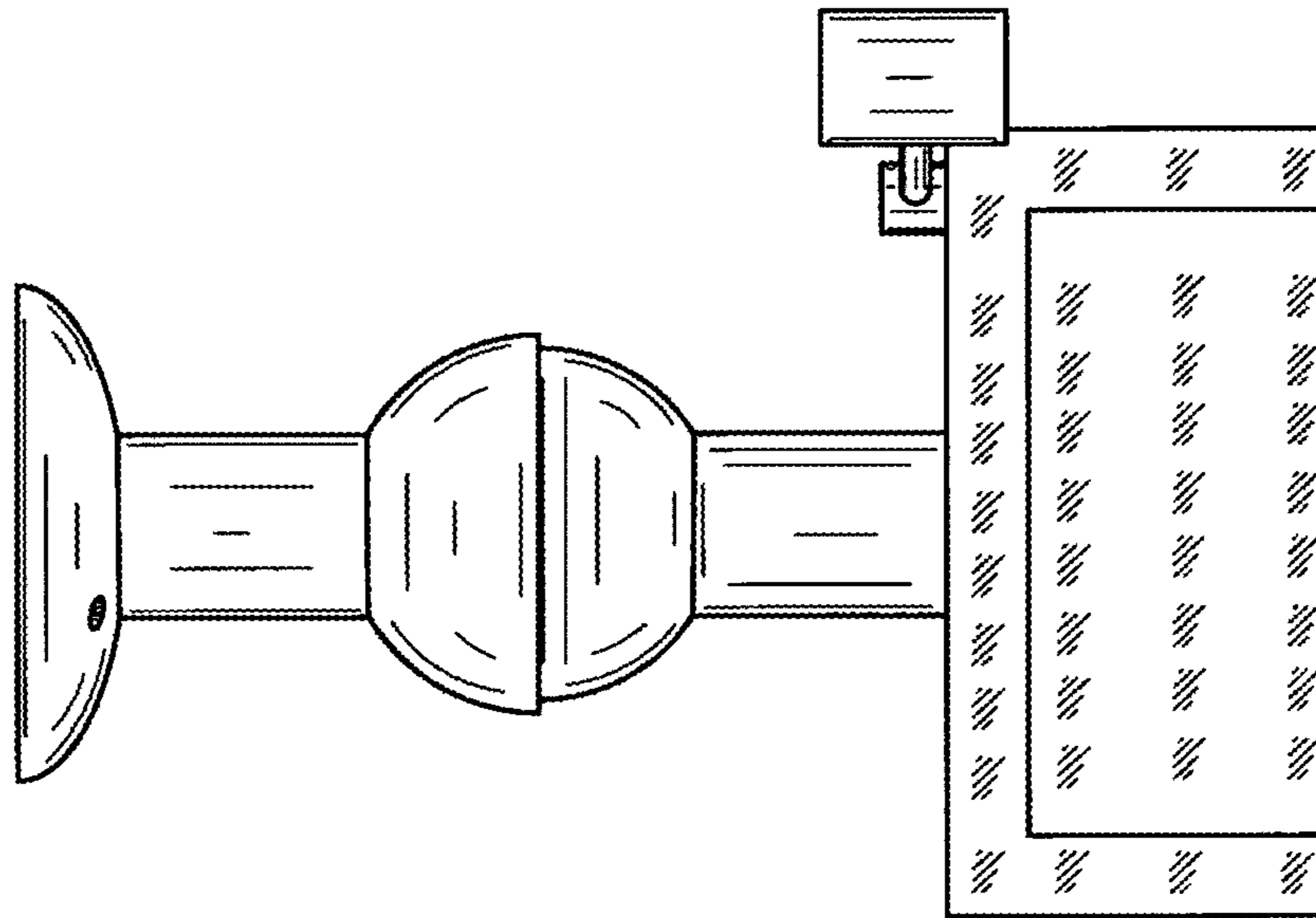


FIG. 4

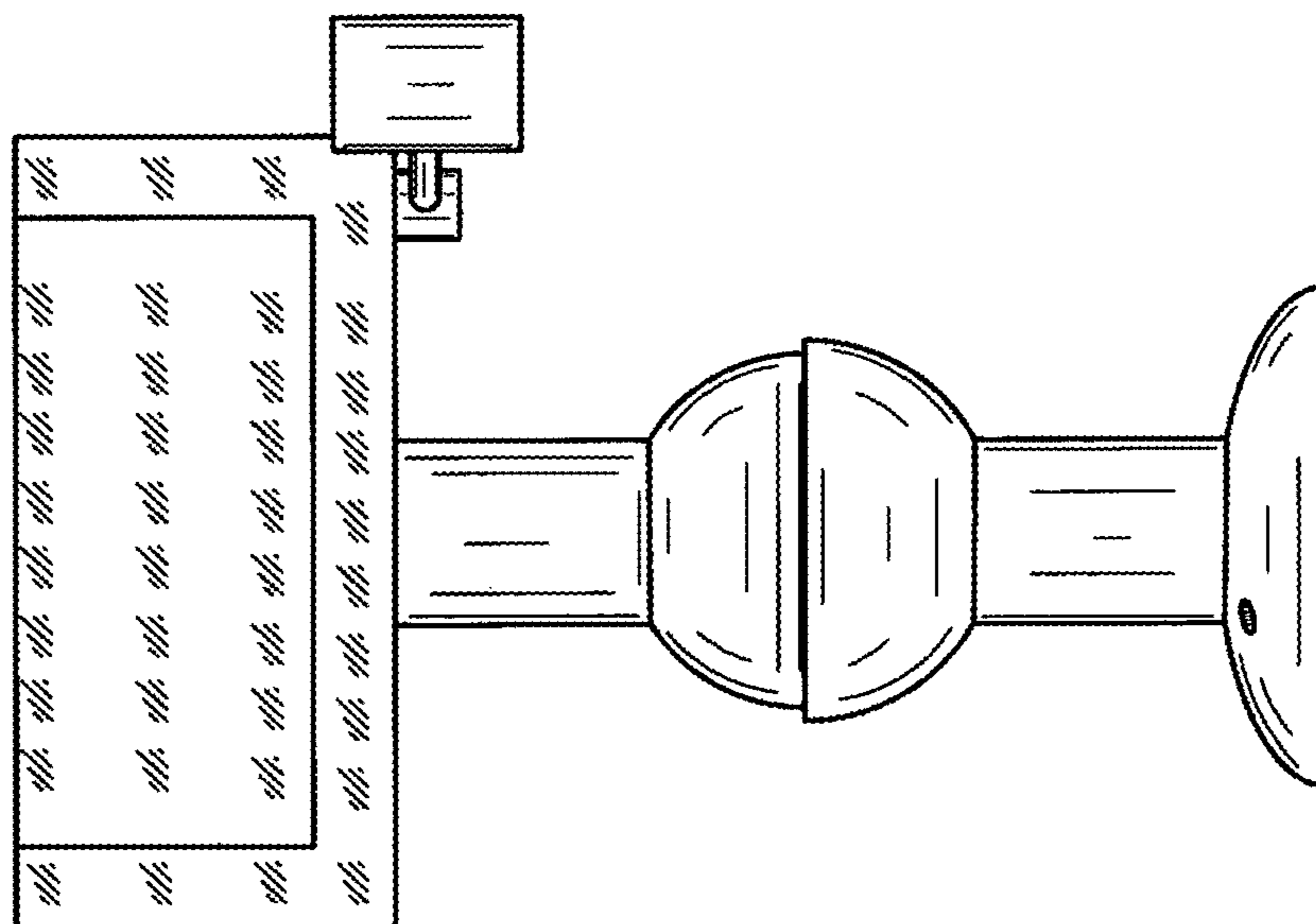


FIG. 5

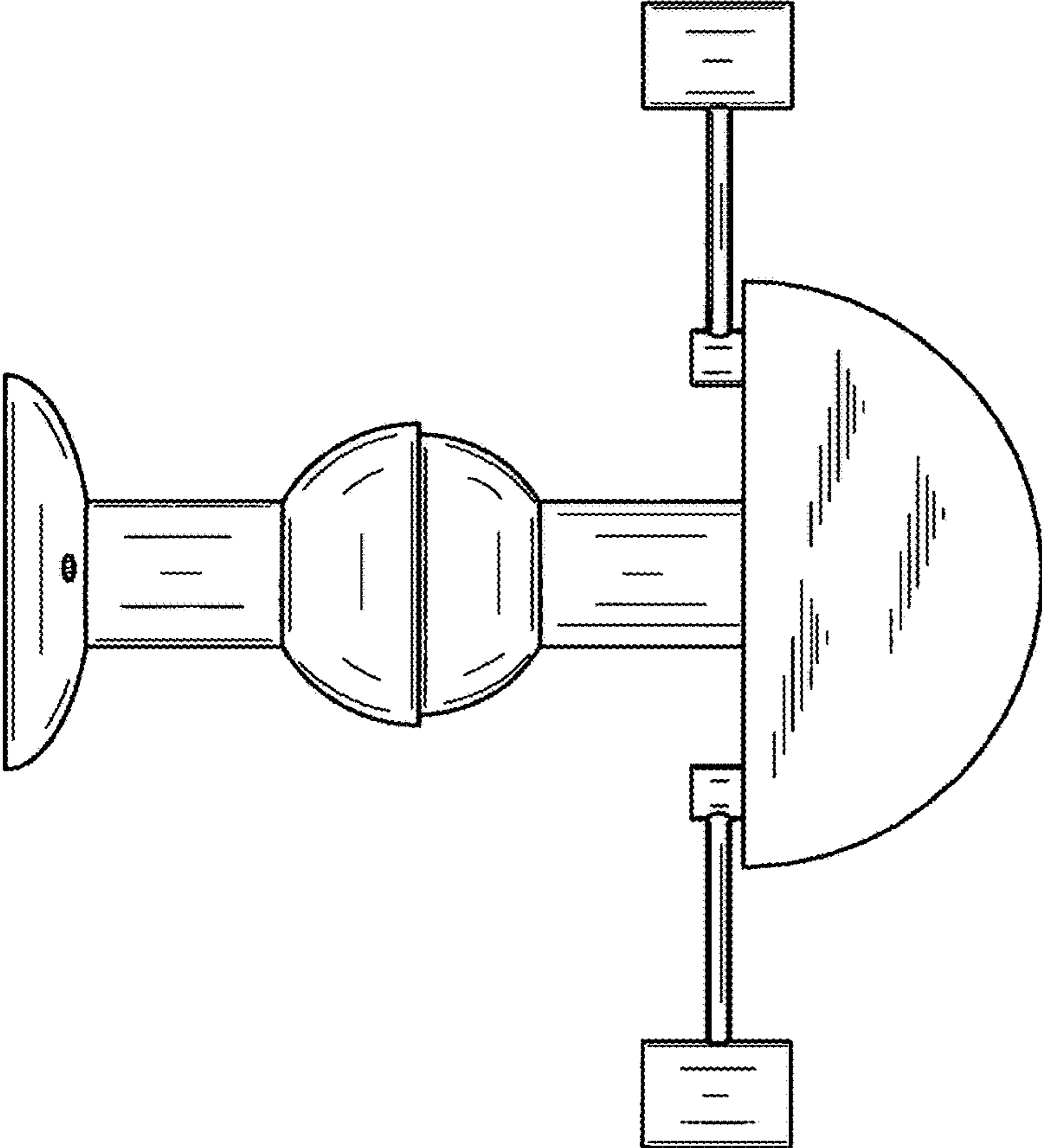


FIG. 6

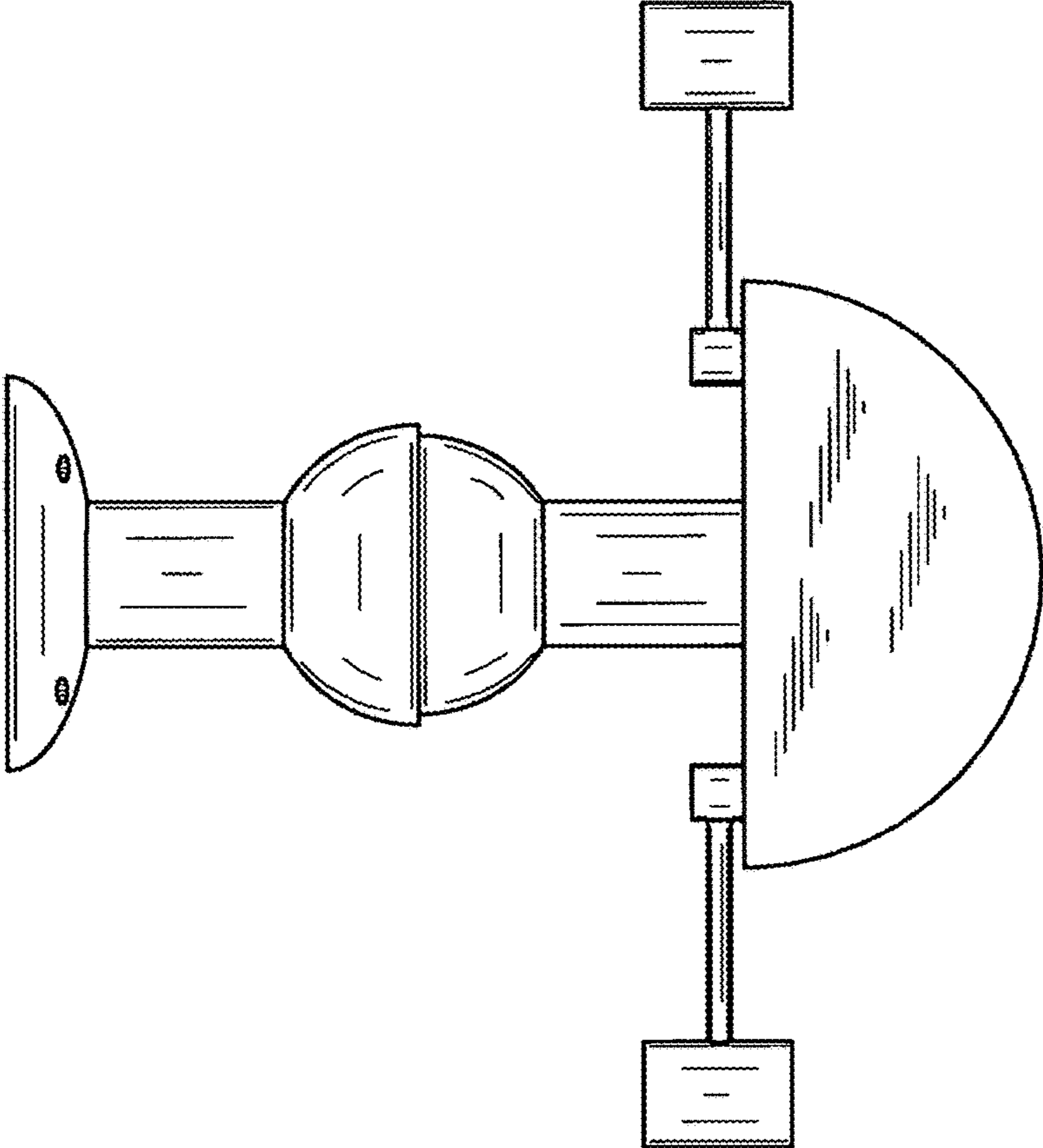


FIG. 7