



US00D778800S

(12) **United States Design Patent**
Chung

(10) **Patent No.:** **US D778,800 S**

(45) **Date of Patent:** **** Feb. 14, 2017**

(54) **AUTOMOTIVE WHEEL**

(71) Applicant: **Suny Chung**, Anaheim, CA (US)

(72) Inventor: **Suny Chung**, Anaheim, CA (US)

(**) Term: **15 Years**

(21) Appl. No.: **29/541,698**

(22) Filed: **Oct. 7, 2015**

(51) **LOC (10) Cl.** **12-16**

(52) **U.S. Cl.**
USPC **D12/211**

(58) **Field of Classification Search**
USPC D12/204-213
CPC B60B 7/00; B60B 7/01; B60B 7/02;
B60B 7/04; B60B 7/06; B60B 3/02; B60B
3/04; B60B 3/06; B60B 3/10; B60B 1/00;
B60B 1/08; B60B 1/10; B60B 1/12
See application file for complete search history.

(56) **References Cited**

U.S. PATENT DOCUMENTS

D248,295 S *	6/1978	Day	D12/206
D275,193 S *	8/1984	Schinella	D12/211
D464,009 S *	10/2002	Laengerer	D12/211
D531,952 S *	11/2006	Sands	D12/211
D680,486 S *	4/2013	Zhao	D12/211
D701,813 S *	4/2014	Kern	D12/211
D717,711 S *	11/2014	Kern	D12/211
D726,089 S *	4/2015	Hodges	D12/211

D737,189 S *	8/2015	Claunch	D12/209
D745,841 S *	12/2015	Ferrett	D12/209
D756,877 S *	5/2016	Huang	D12/209

OTHER PUBLICATIONS

Vossen VVSCVT wheel | posted at carid.com no posting date
Copyright © 2003-2016 CARiD.com [online] [site visited Sep. 26,
2016]. Available from internet: <http://www.carid.com/vossen-wheels/vvscvt-silver-15767455.html>.*

Vossen CVT wheels | posted at clublexus.com Jul. 11, 2014
Copyright © 2000-2016 Internet Brands, Inc. [online] [site visited
Sep. 26, 2016]. Available from Internet: <<http://www.clublexus.com/forums/club-lexus-vendor-marketplace/726591-getyourwheels-shipment-of-the-day-showroom-5.html>>.*

* cited by examiner

Primary Examiner — Sandra Snapp

Assistant Examiner — Katherine Glennon

(57) **CLAIM**

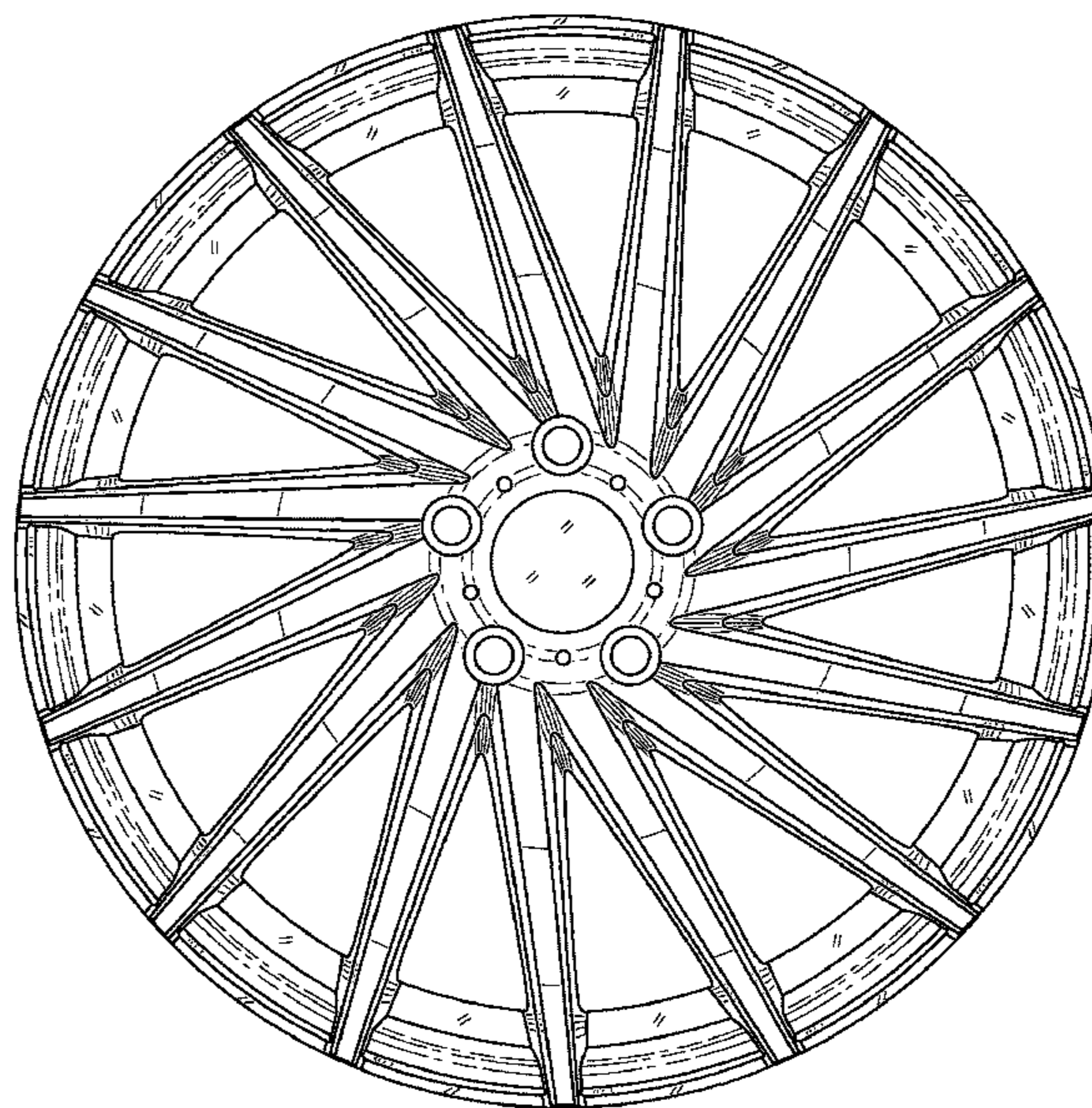
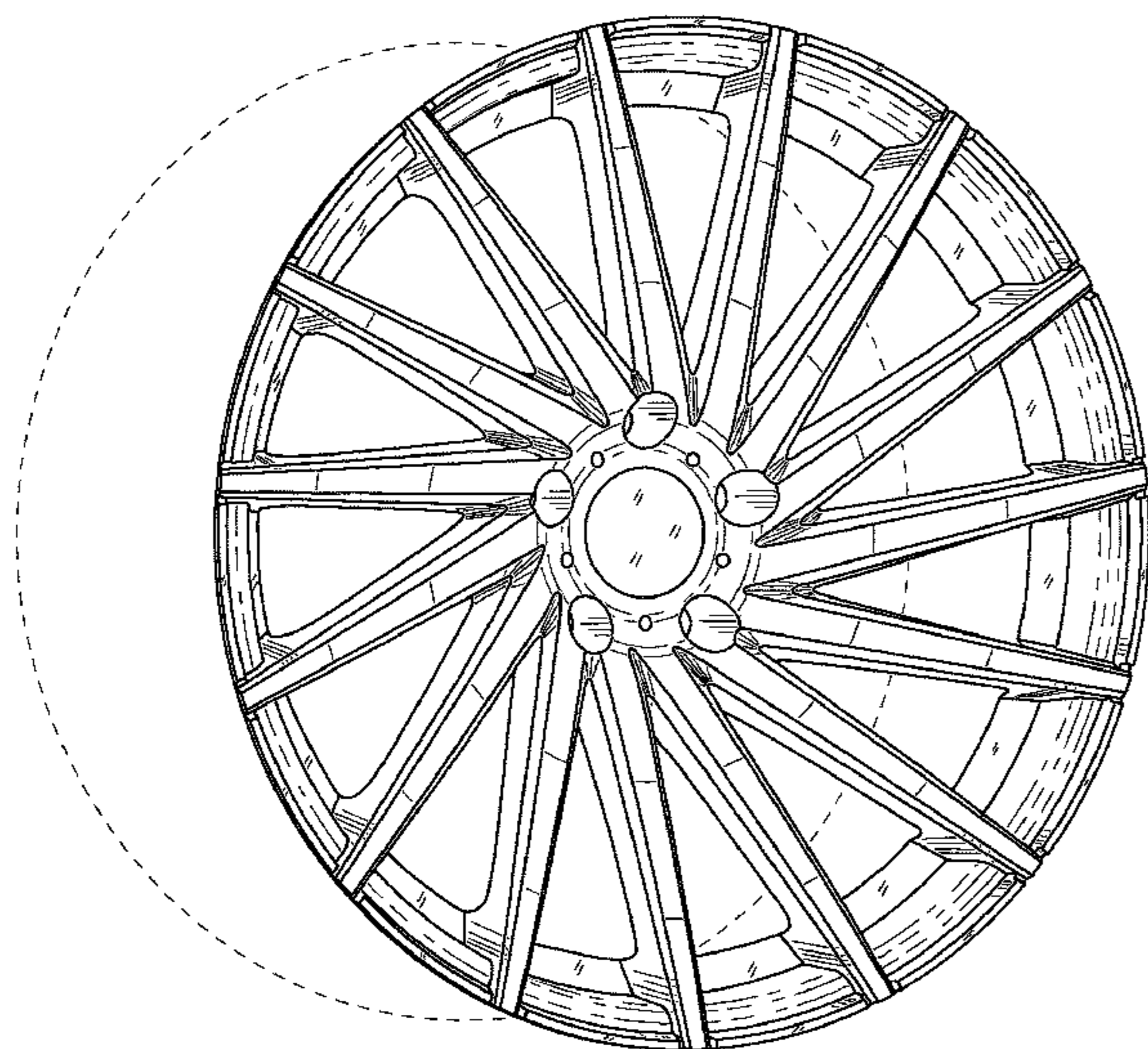
The ornamental design for an automotive wheel, as shown and described.

DESCRIPTION

FIG. 1 is a perspective view of an automotive wheel, showing my new design; and, FIG. 2 is a front view thereof.

The broken line showing of the rear portion of the wheel is included for the purpose of illustrating environment and forms no part of the claimed design.

1 Claim, 2 Drawing Sheets



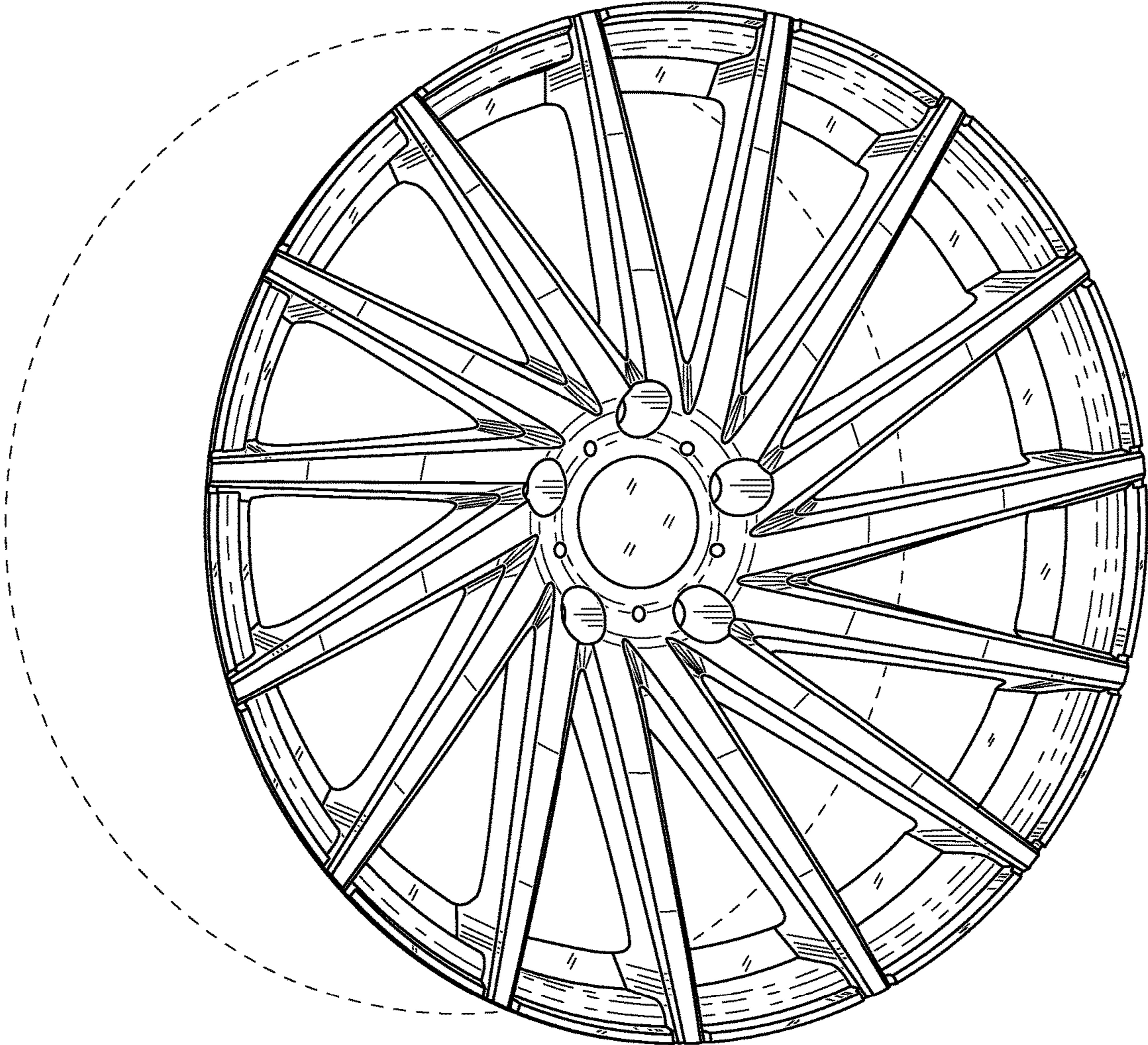


FIGURE 1

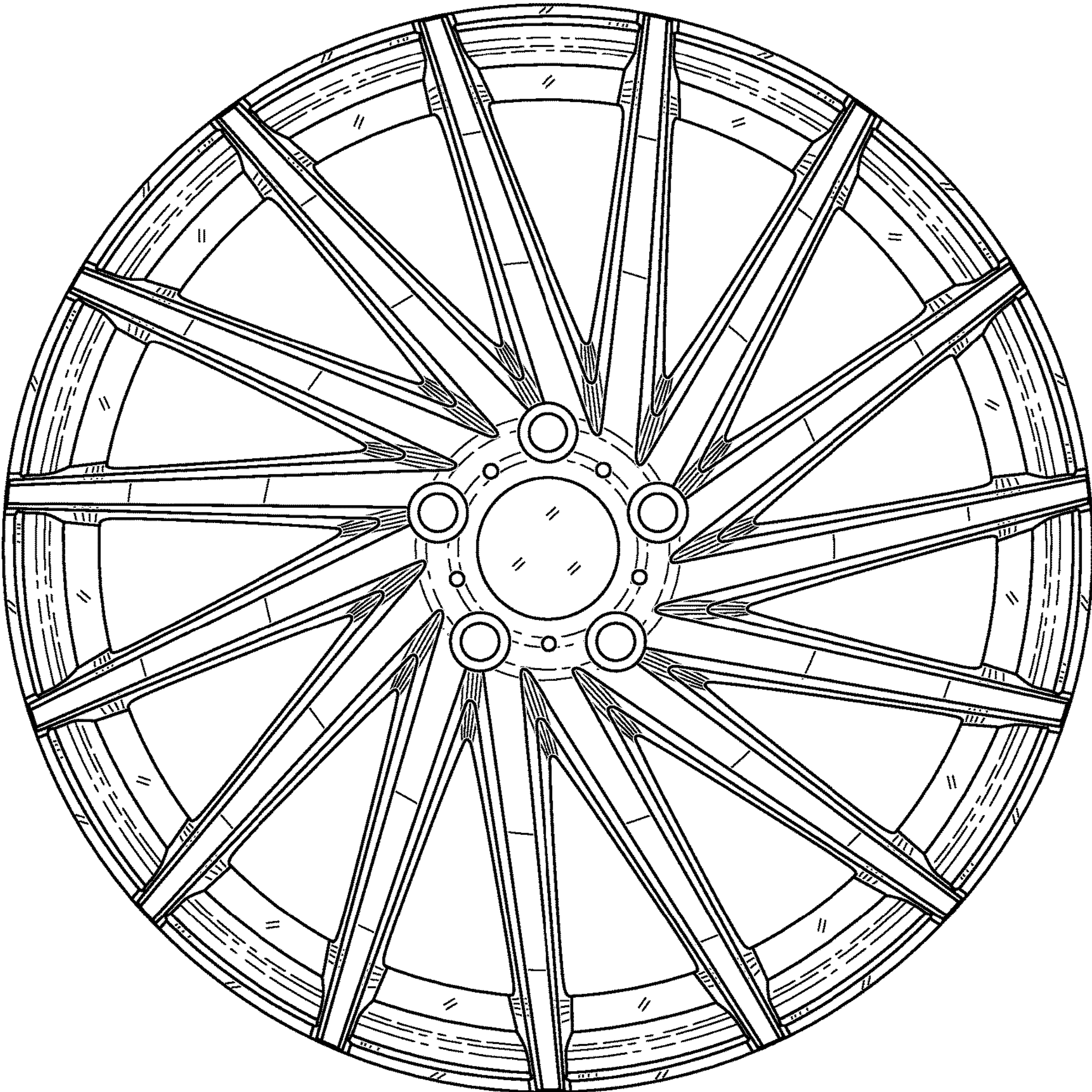


FIGURE 2