



US00D778798S

(12) **United States Design Patent**
Park

(10) **Patent No.:** **US D778,798 S**

(45) **Date of Patent:** **** Feb. 14, 2017**

(54) **WHEEL FOR AN AUTOMOBILE**

(71) Applicant: **HONDA MOTOR CO., LTD.**, Tokyo (JP)

(72) Inventor: **Jungyong Park**, Wako (JP)

(73) Assignee: **HONDA MOTOR CO., LTD.**, Tokyo (JP)

(**) Term: **15 Years**

(21) Appl. No.: **29/555,852**

(22) Filed: **Feb. 25, 2016**

(30) **Foreign Application Priority Data**

Aug. 28, 2015 (JP) 2015-019062

(51) **LOC (10) Cl.** **12-16**

(52) **U.S. Cl.**
USPC **D12/209**

(58) **Field of Classification Search**
USPC D12/204–213
CPC B60B 7/00; B60B 7/02; B60B 7/04;
B60B 7/01; B60B 7/06; B60B 3/02; B60B
3/04; B60B 3/06; B60B 3/10; B60B 1/00;
B60B 1/08; B60B 1/10; B60B 1/12
See application file for complete search history.

(56) **References Cited**

U.S. PATENT DOCUMENTS

D405,043 S * 2/1999 Moreno D12/209
D437,820 S * 2/2001 Fitzgerald D12/209
D445,391 S * 7/2001 Chung D12/209
D455,701 S * 4/2002 McMath D12/209

D455,991 S * 4/2002 Kaucher D12/196
D616,799 S * 6/2010 Zhao D12/209
D617,717 S * 6/2010 Nordmann D12/211
D669,833 S * 10/2012 Pollmann D12/209
D685,709 S * 7/2013 Hanaoka D12/209
D695,187 S * 12/2013 Mielke D12/209
D697,005 S * 1/2014 Juergens D12/209
D697,467 S * 1/2014 Pollmann D12/209
D709,427 S * 7/2014 Clottu D12/209
D710,286 S * 8/2014 Yamaguchi D12/209
D723,445 S * 3/2015 Hodges D12/209
D726,086 S * 4/2015 Muntada Roura D12/209
D729,138 S * 5/2015 Davidson D12/209
D748,031 S * 1/2016 Miyazawa D12/209
D748,553 S * 2/2016 Miyazawa D12/209
D754,047 S * 4/2016 Frascella D12/209
D755,692 S * 5/2016 Nakahara D12/209
D757,625 S * 5/2016 Hu D12/209
D759,566 S * 6/2016 Valencia Pollex D12/211
D762,543 S * 8/2016 Hara D12/209

* cited by examiner

Primary Examiner — Stacia Cadmus

(74) *Attorney, Agent, or Firm* — Westerman, Hattori,
Daniels & Adrian, LLP

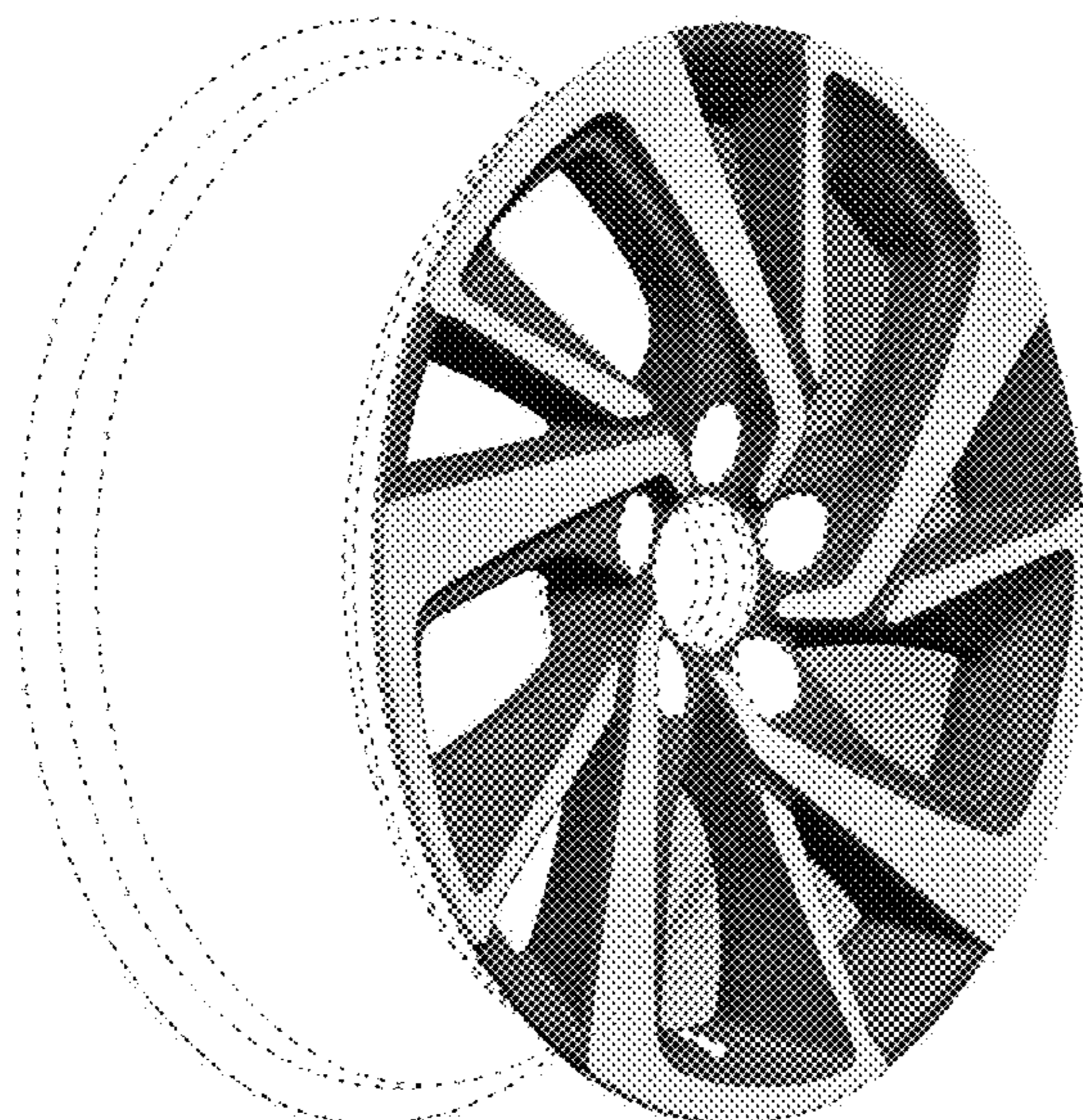
(57) **CLAIM**

The ornamental design for a wheel for an automobile, as shown and described.

DESCRIPTION

FIG. 1 is a perspective view of a wheel for an automobile; and, FIG. 2 is a front elevation view thereof. The broken lines shown in the drawings illustrate portions of the wheel for an automobile that are environmental structures and form no part of the claimed design.

1 Claim, 2 Drawing Sheets



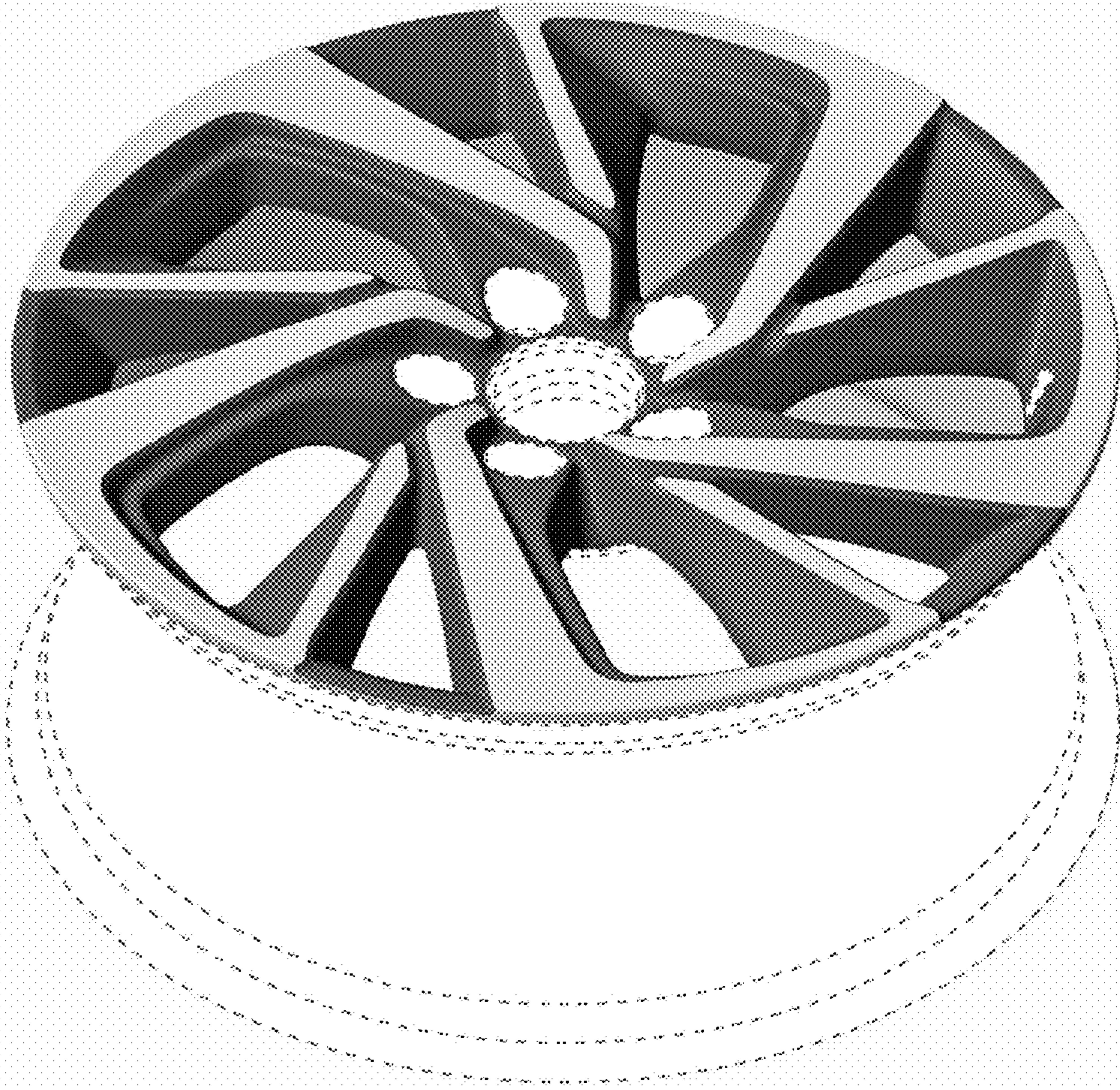


Fig. 1



Fig.2