



US00D778796S

(12) **United States Design Patent** (10) **Patent No.:** **US D778,796 S**
Gommier et al. (45) **Date of Patent:** **** Feb. 14, 2017**

(54) **INSTRUMENT PANEL FOR AN AUTOMOBILE**

D762,152 S * 7/2016 Inagaki D12/192
D763,154 S * 8/2016 Chang D12/192
D763,155 S * 8/2016 Sahs D12/192

(71) Applicants: **Alexandre Gommier**, Antibes (FR);
Shinsuke Ohmori, Toyota (JP)

OTHER PUBLICATIONS

(72) Inventors: **Alexandre Gommier**, Antibes (FR);
Shinsuke Ohmori, Toyota (JP)

RAV4 (2013), Toyota, Netcarshow.com, <http://www.netcarshow.com/toyota/2013-rav4/1600x1200/wallpaper_14.htm>, available at least as early as Jan. 20, 2015.

(73) Assignee: **Toyota Jidosha Kabushiki Kaisha** (JP)

i8, BMW, Netcarshow.com, <http://www.netcarshow.com/bmw/2015-i8/800x600/wallpaper_9f.htm>, available at least as early as Jan. 20, 2015.

(**) Term: **15 Years**

HR-V (2016), Honda, Netcarshow.com, <http://www.netcarshow.com/honda/2016-hr-v/800x600/wallpaper_3e.htm>, available at least as early as Jan. 20, 2015.

(21) Appl. No.: **29/549,924**

* cited by examiner

(22) Filed: **Dec. 29, 2015**

(51) **LOC (10) Cl.** **12-16**

Primary Examiner — Katrina A Betton

(52) **U.S. Cl.**

(74) *Attorney, Agent, or Firm* — Saidman DesignLaw Group, LLC

USPC **D12/192**

(58) **Field of Classification Search**

(57) **CLAIM**

USPC D12/192, 415, 110, 114; D15/17, 28;
D10/46, 98, 102-103, 122-127

The ornamental design for an instrument panel for an automobile, as shown and described.

CPC ... G08G 1/096883; G01C 21/30; G01C 21/16;
G01C 21/3688

DESCRIPTION

See application file for complete search history.

FIG. 1 is a perspective view of an instrument panel for an automobile showing our new design;

(56) **References Cited**

U.S. PATENT DOCUMENTS

D705,711 S * 5/2014 Yamamoto D12/192
D726,612 S * 4/2015 Wiedeman D12/192
D727,231 S * 4/2015 Narita D12/192
D730,793 S * 6/2015 Ishikawa D12/192
D731,940 S * 6/2015 Okabe D12/192
D733,021 S * 6/2015 Takagi D12/192
D737,186 S * 8/2015 Nakao D12/192

FIG. 2 is a front view thereof;

FIG. 3 is a rear view thereof;

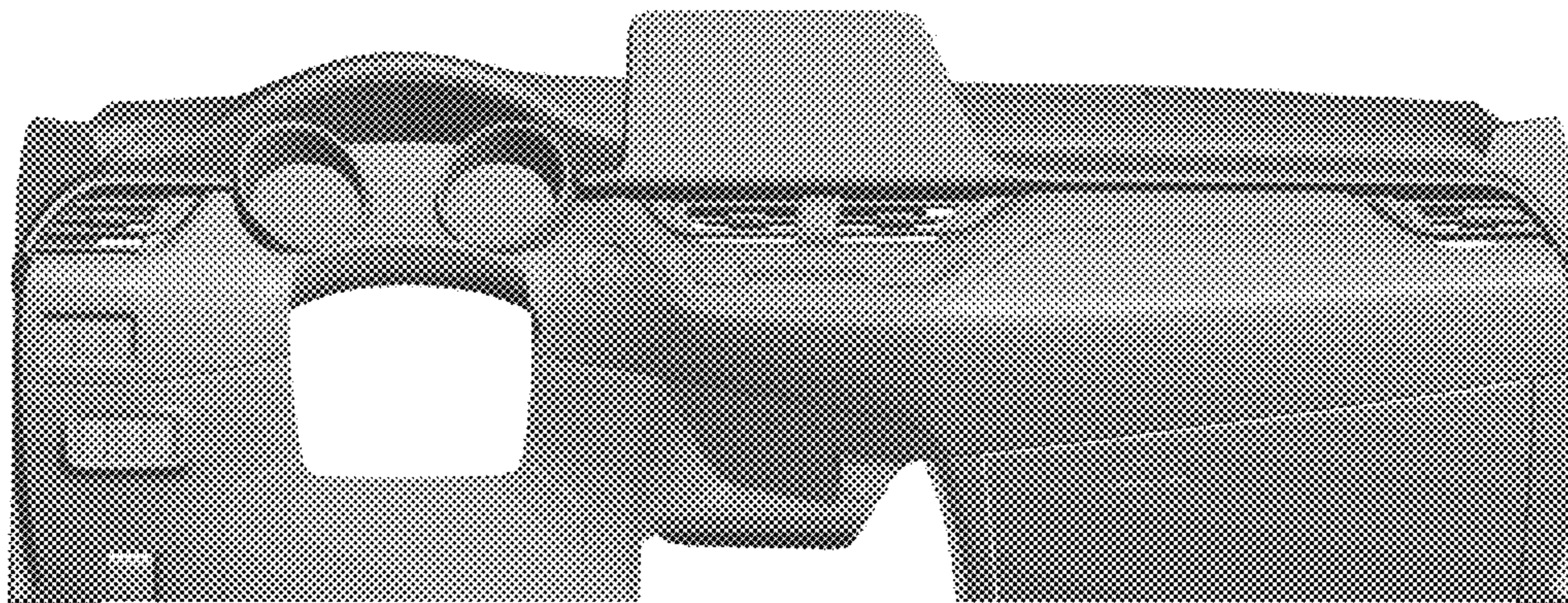
FIG. 4 is a top view thereof;

FIG. 5 is a bottom view thereof;

FIG. 6 is a left side view thereof; and,

FIG. 7 is a right side view thereof.

1 Claim, 7 Drawing Sheets



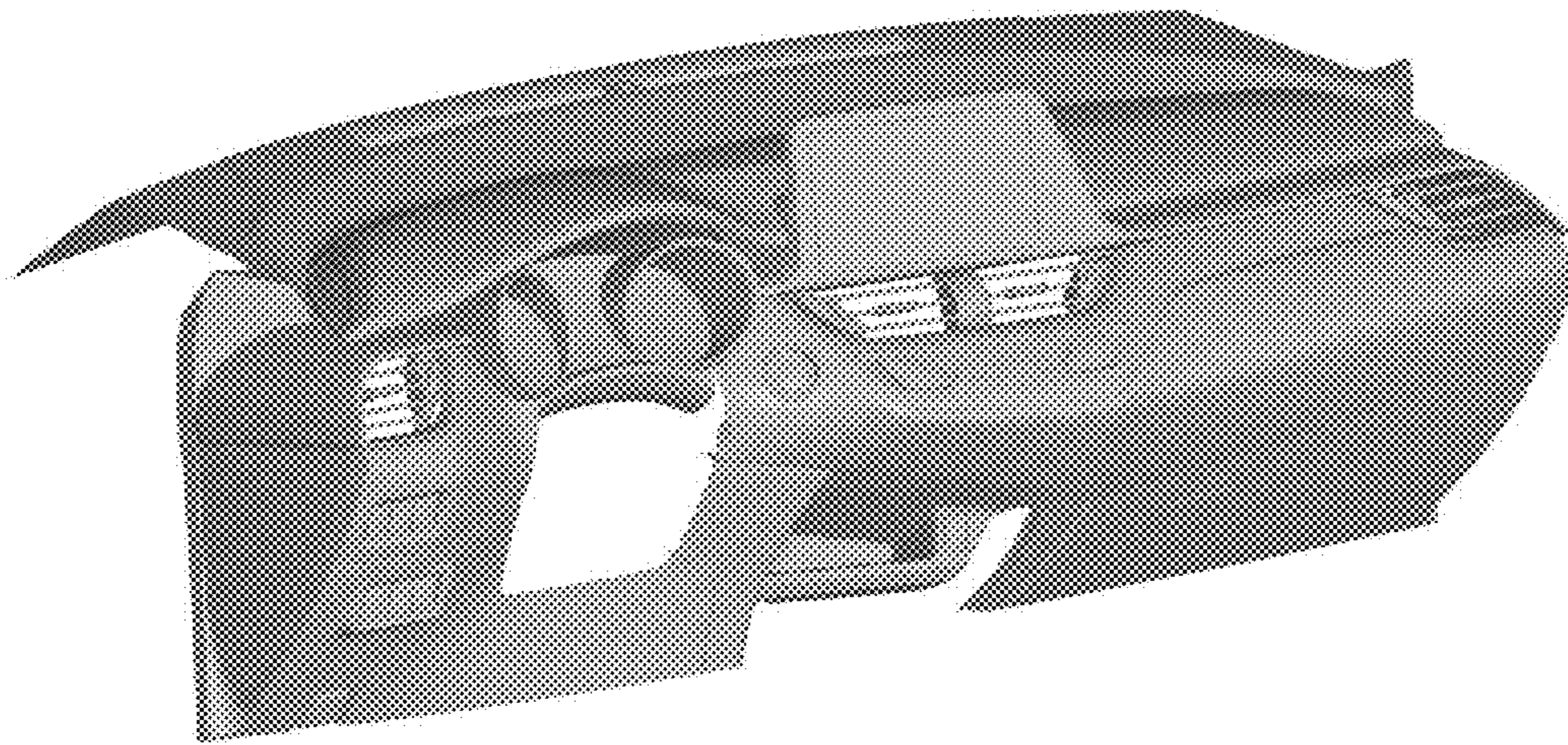


Fig. 1

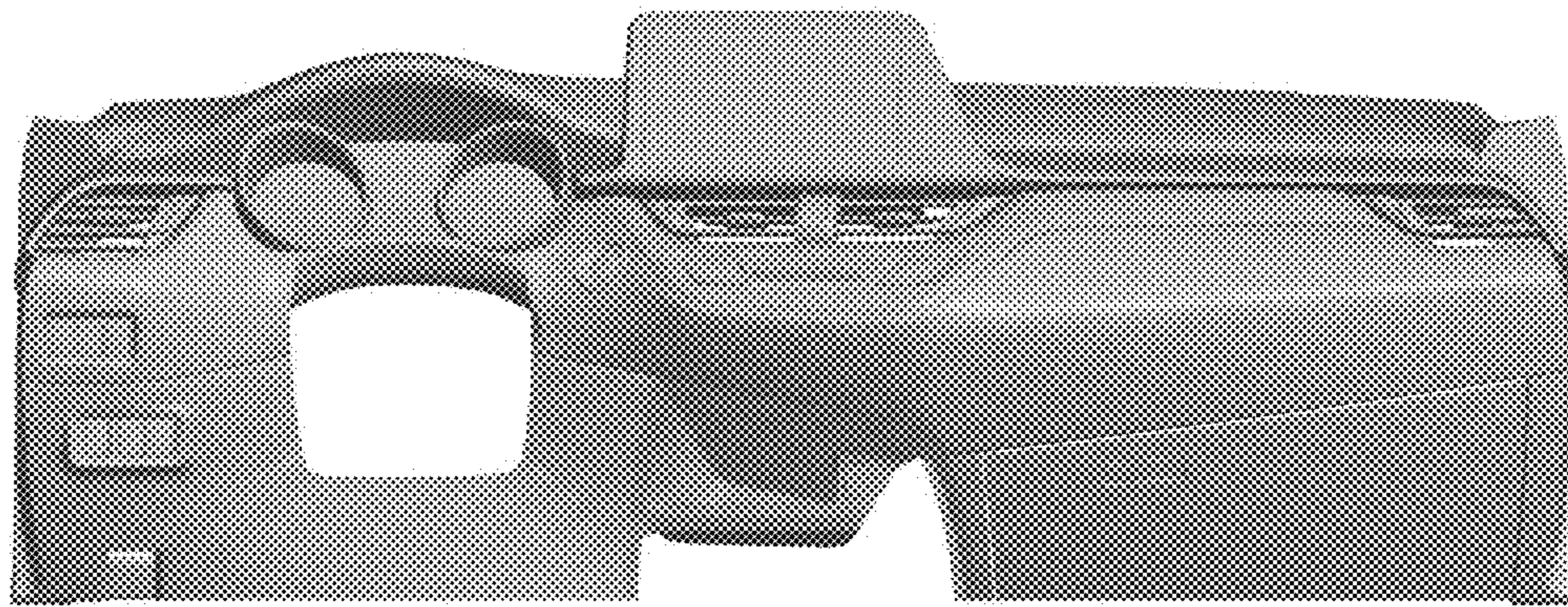


Fig. 2

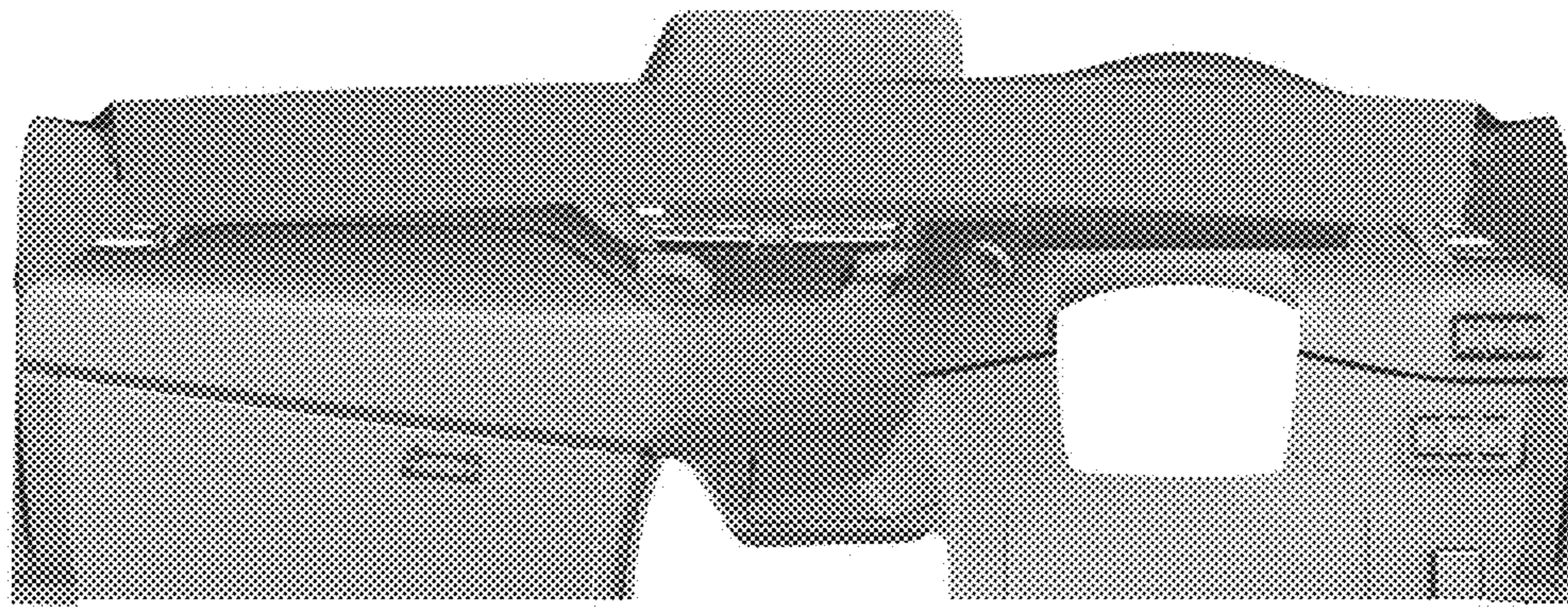


Fig. 3

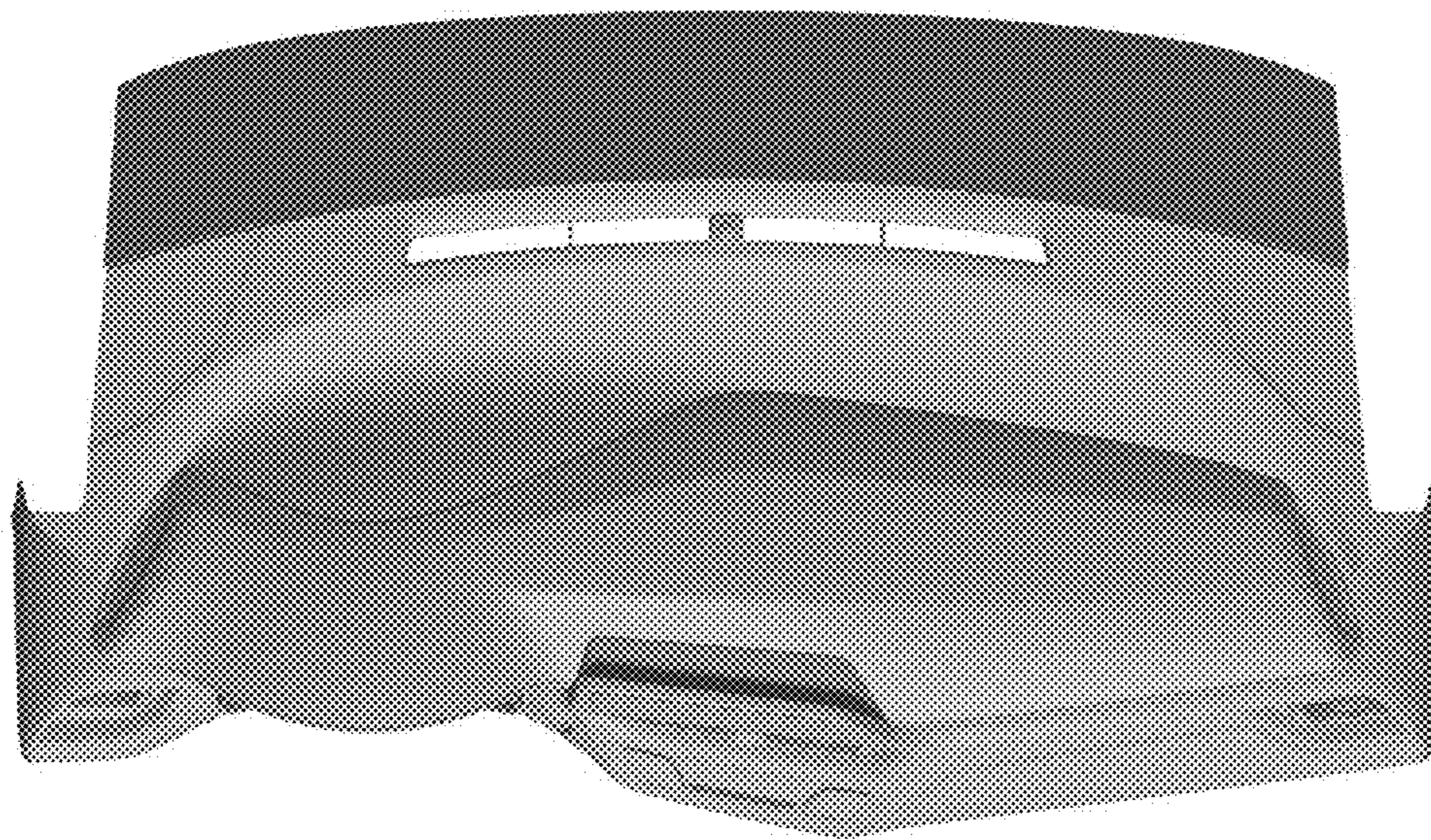


Fig. 4

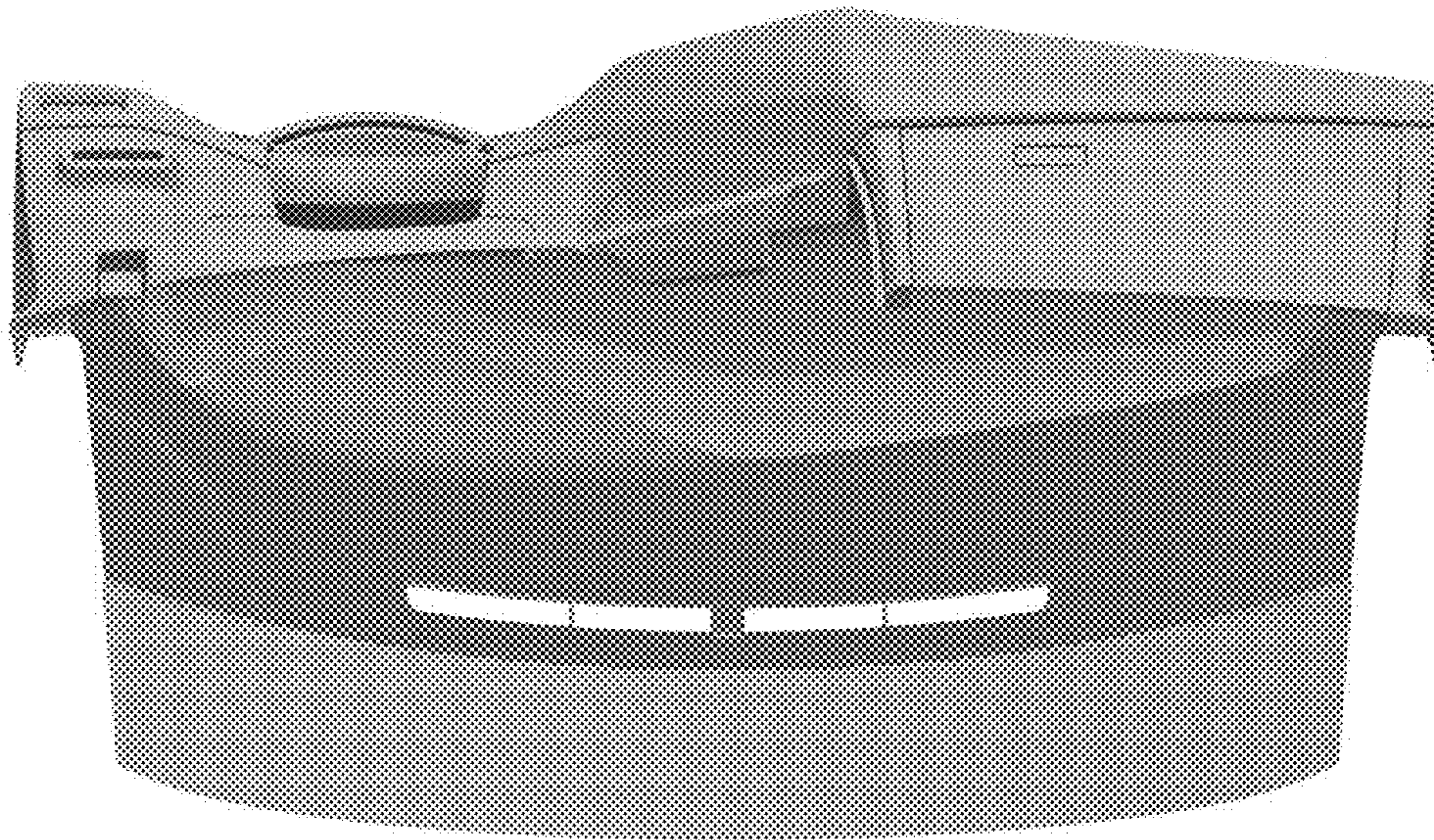


Fig. 5

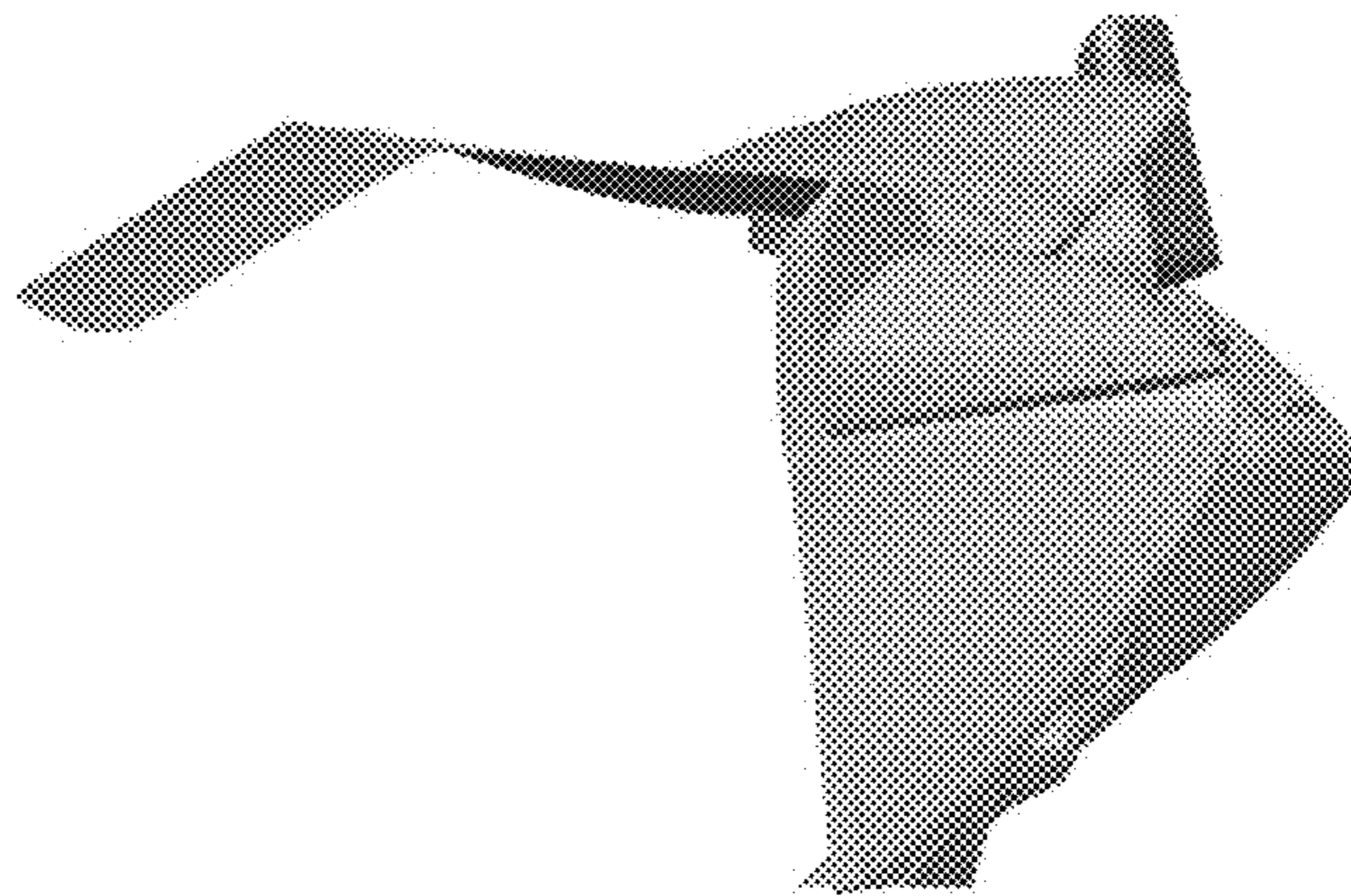


Fig. 6

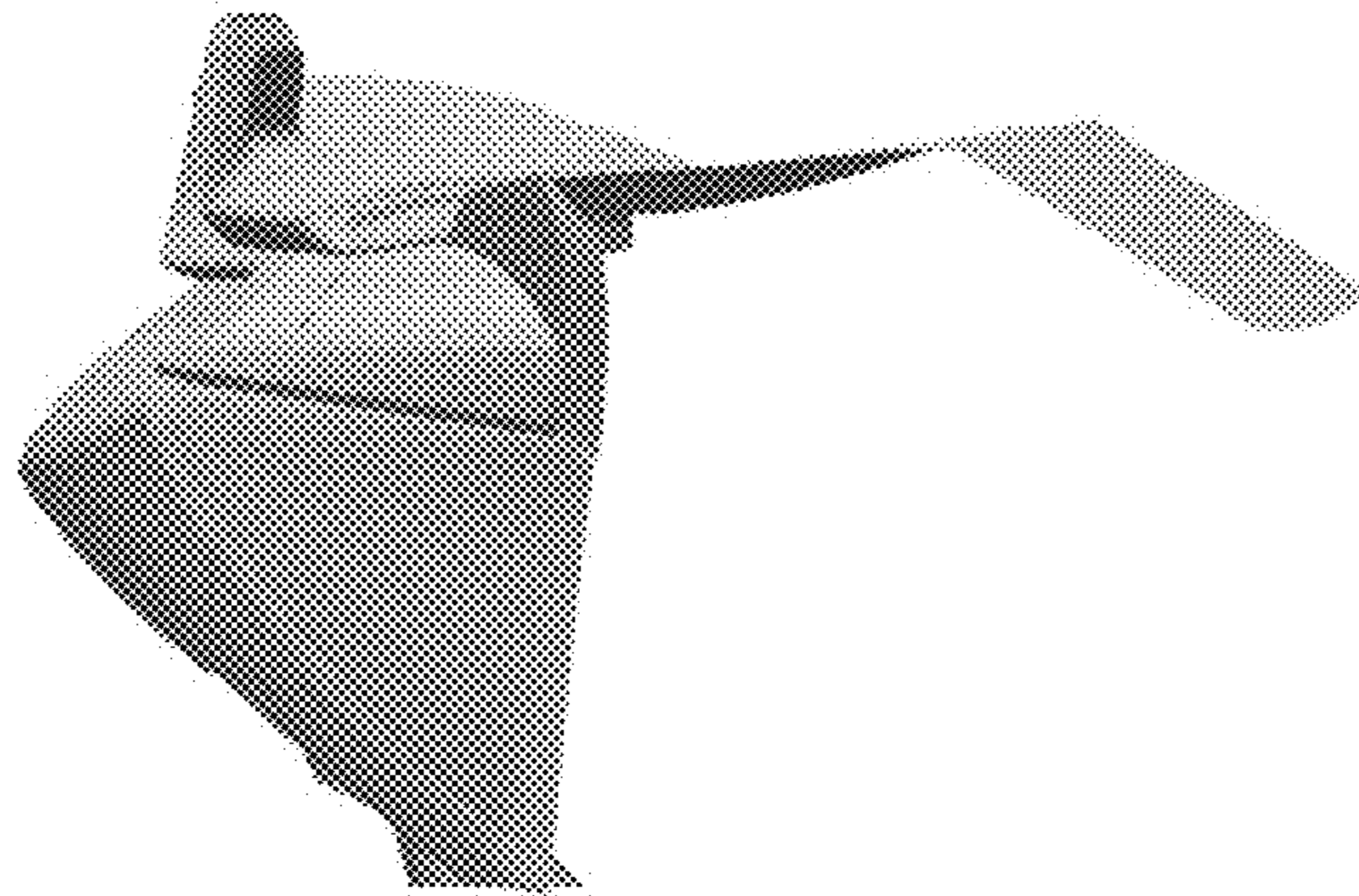


Fig. 7