



US00D778795S

(12) **United States Design Patent** (10) **Patent No.:** **US D778,795 S**
Johns et al. (45) **Date of Patent:** **** Feb. 14, 2017**

- (54) **VEHICLE FENDER FLARE**
- (71) Applicant: **Omix-Ada, Inc.**, Suwanee, GA (US)
- (72) Inventors: **Taylor E. Johns**, Atlanta, GA (US);
Patrick W. Bennett, Gainesville, GA (US);
Alain M. Eboli, Jr., Suwanee, GA (US);
Christopher D. Van Buren, Snellville, GA (US);
Henk Van Dongen, Monroe, GA (US)
- (73) Assignee: **Omix-Ada, Inc.**, Suwanee, GA (US)
- (**) Term: **15 Years**
- (21) Appl. No.: **29/544,313**
- (22) Filed: **Nov. 2, 2015**
- (51) **LOC (10) Cl.** **12-16**
- (52) **U.S. Cl.**
USPC **D12/184**
- (58) **Field of Classification Search**
USPC D12/86, 90, 91, 92, 93, 400, 163, 164,
D12/167, 181, 184, 196, 202
CPC B62D 25/02; B62D 25/16; B62D 25/18;
B62D 25/161
See application file for complete search history.

(56) **References Cited**

U.S. PATENT DOCUMENTS

D336,885 S	6/1993	Hart et al.	
D389,438 S *	1/1998	Guichard	D12/98
D395,269 S	6/1998	McCauley, Jr.	
D497,572 S *	10/2004	Widmann	D12/91
D508,441 S *	8/2005	Moushegian	D12/86
D534,836 S *	1/2007	Moushegian	D12/91
D535,585 S *	1/2007	Moushegian	D12/91
D554,563 S *	11/2007	Moushegian	D12/91
D565,466 S *	4/2008	Moushegian	D12/91
D570,509 S *	6/2008	Logan	D26/28
D573,507 S *	7/2008	Moushegian	D12/91

D582,825 S	12/2008	Logan	
D623,103 S	9/2010	Braga	
D644,581 S	9/2011	Beigel et al.	
D644,972 S	9/2011	Beigel et al.	
D695,171 S *	12/2013	Riggs	D12/184

(Continued)

OTHER PUBLICATIONS

Amazon.com Rugged Ridge, Amazon.com [online], first available date of Oct. 30, 2015, [retrieved Aug. 24, 2016] https://www.amazon.com/Rugged-Ridge-11640-30-Textured-Hurricane/dp/B017DN6M9O/ref=sr_1_5?ie=UTF8&qid=1472084275&sr=8-5&keywords=rugged+ridge+fender+flares.*

(Continued)

Primary Examiner — Sheryl Lane
Assistant Examiner — A. Suzette Murphy
(74) Attorney, Agent, or Firm — Womble Carlyle Sandridge & Rice LLP

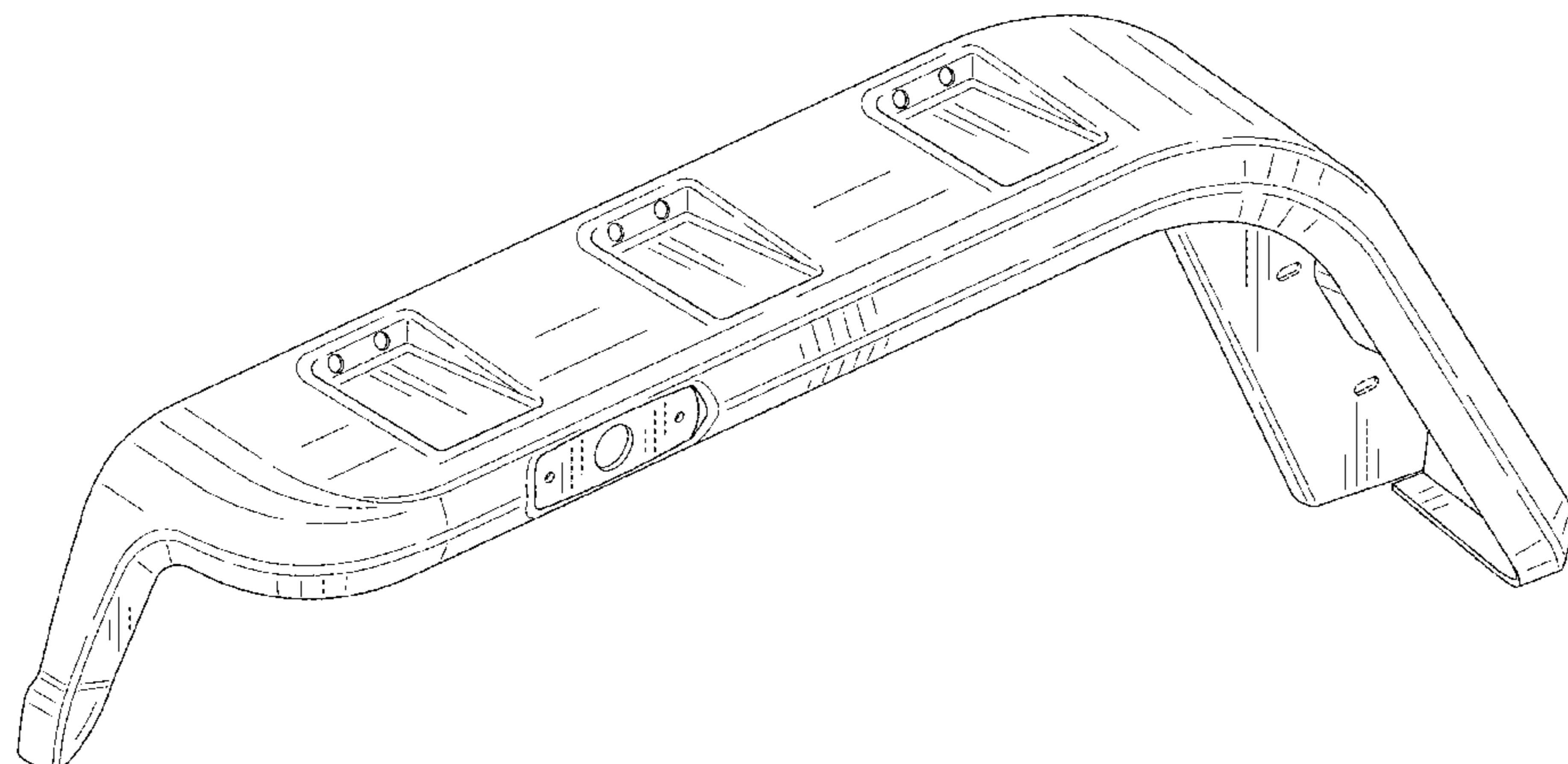
(57) **CLAIM**

The ornamental design for a vehicle fender flare, as shown and described.

DESCRIPTION

FIG. 1 is a perspective view of a vehicle fender flare for the right side of a vehicle showing our new design.
FIG. 2 is a front elevational view thereof.
FIG. 3 is a top plan view thereof.
FIG. 4 is a bottom plan view thereof.
FIG. 5 is a rear elevational view thereof.
FIG. 6 is a right side elevational view thereof; and,
FIG. 7 is a left side elevational view thereof.
The vehicle fender flare for the left side of the vehicle is a mirror image thereof, but is not shown in the claimed design. The broken lines illustrate portions of the vehicle fender flare that form no part of the claimed design.

1 Claim, 5 Drawing Sheets



(56)

References Cited

U.S. PATENT DOCUMENTS

D699,169 S * 2/2014 Waclawski D12/184
D712,324 S 9/2014 McFarlin et al.
D741,234 S * 10/2015 Hanson D12/184
D741,235 S * 10/2015 Hanson D12/184
D765,569 S * 9/2016 Hall D12/184

OTHER PUBLICATIONS

Omix-ADA Rugged Ridge Fender Flares, omix-ada.com [online],
[retrieved on Aug. 24, 2016]. Retrieved from the Internet <URL:
<http://www.omix-ada.com/hurricane-fender-flare-kit-textured-black-97-06-jeep-wrangler-tj.html>.*

* cited by examiner

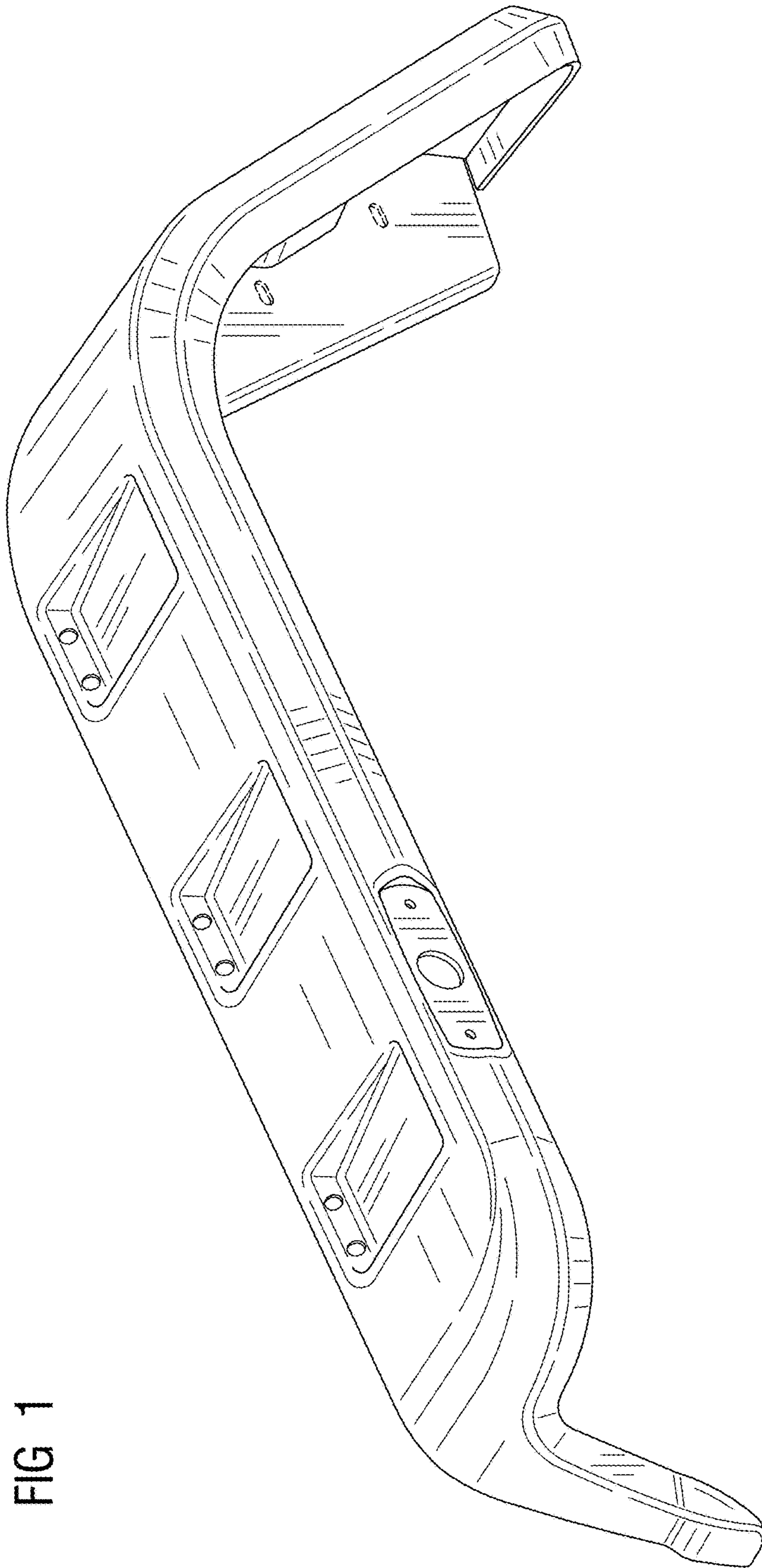


FIG 1

FIG 2

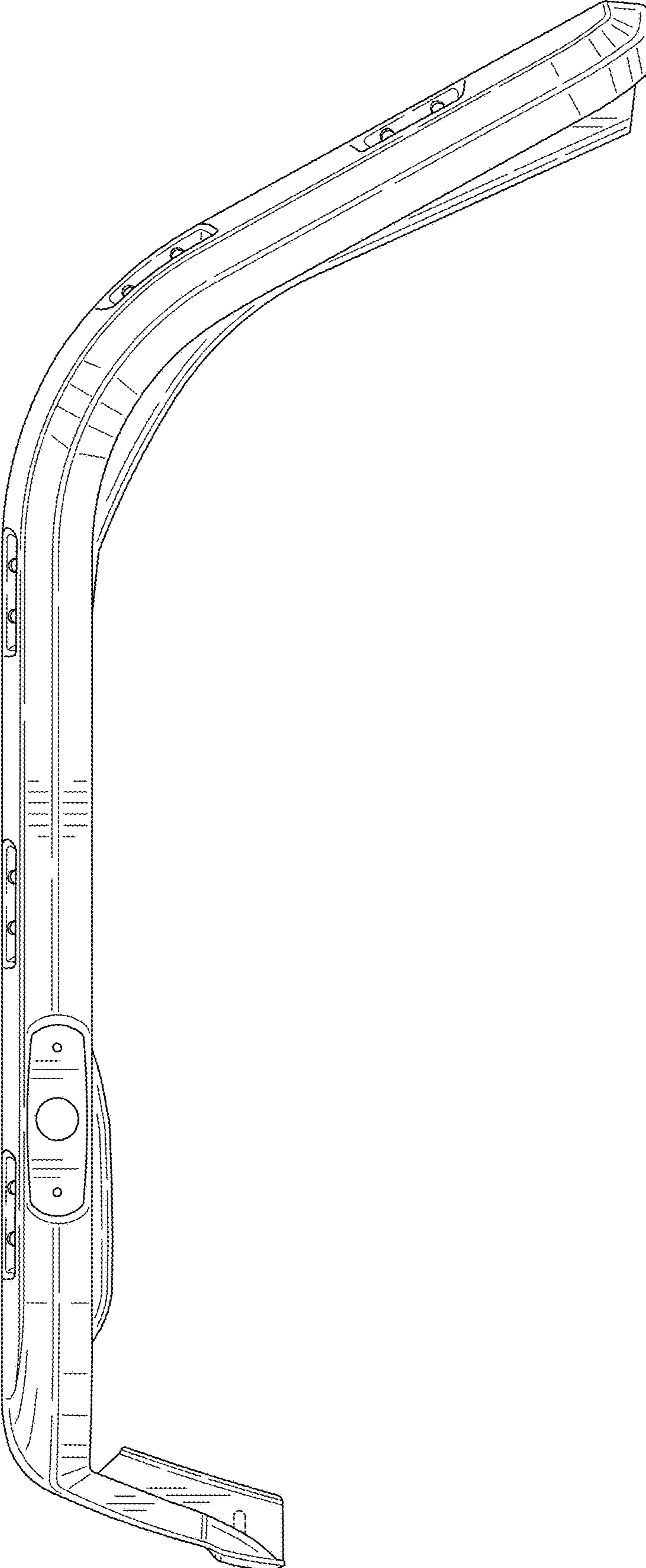


FIG 3

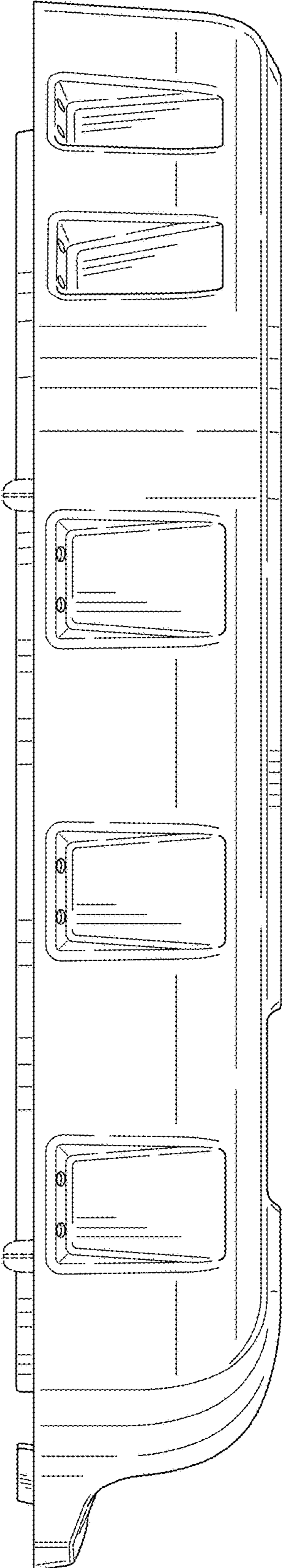
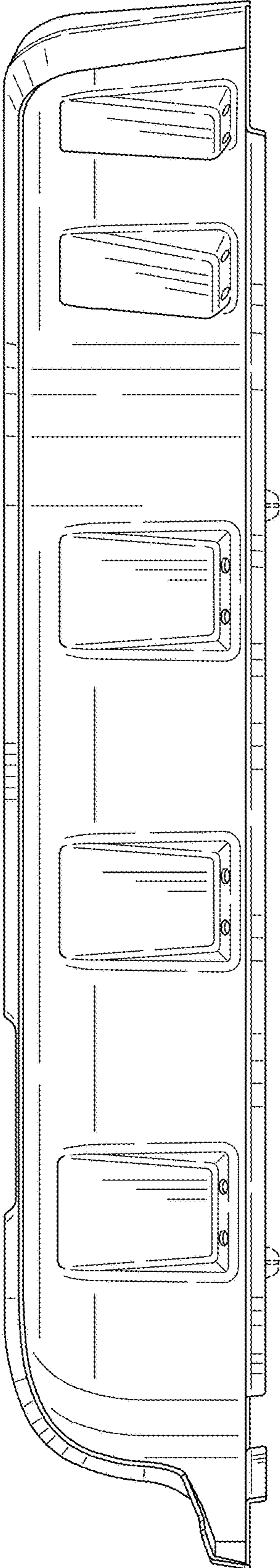


FIG 4



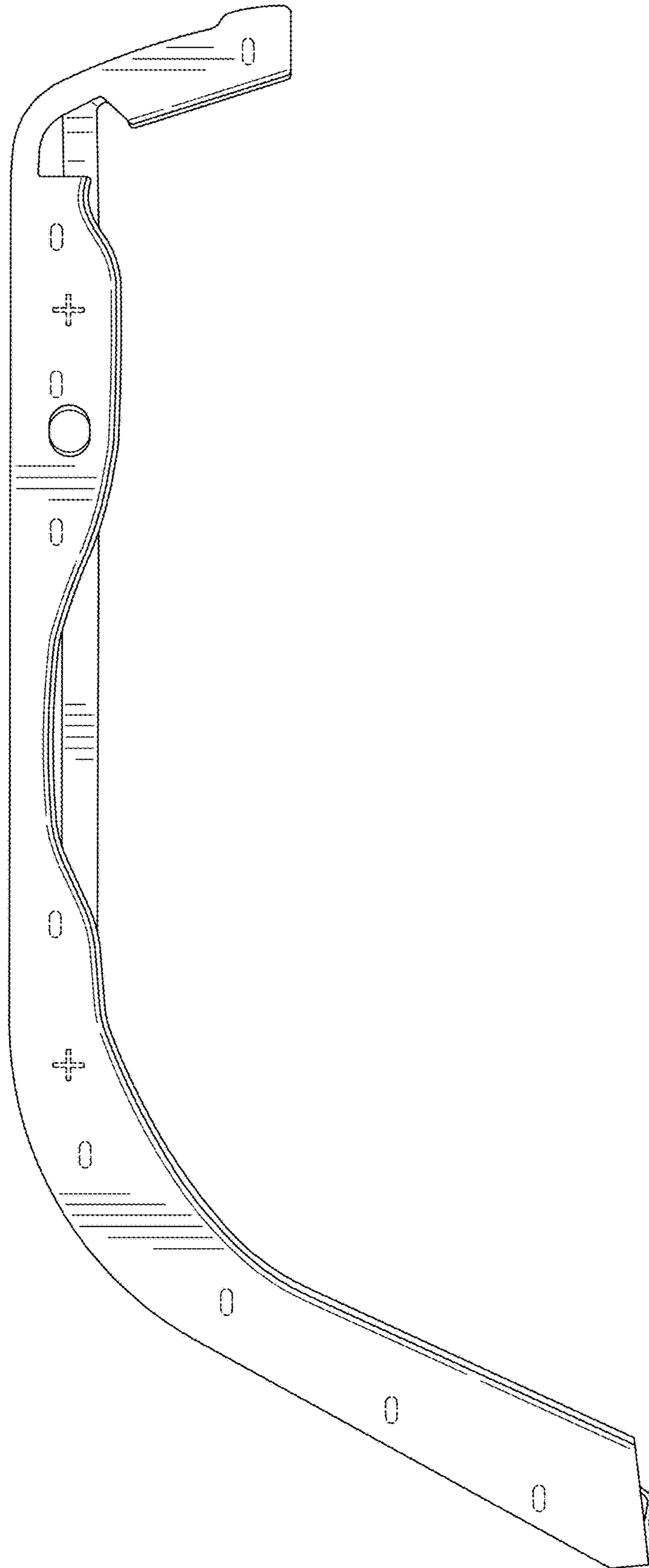


FIG 5

FIG 6

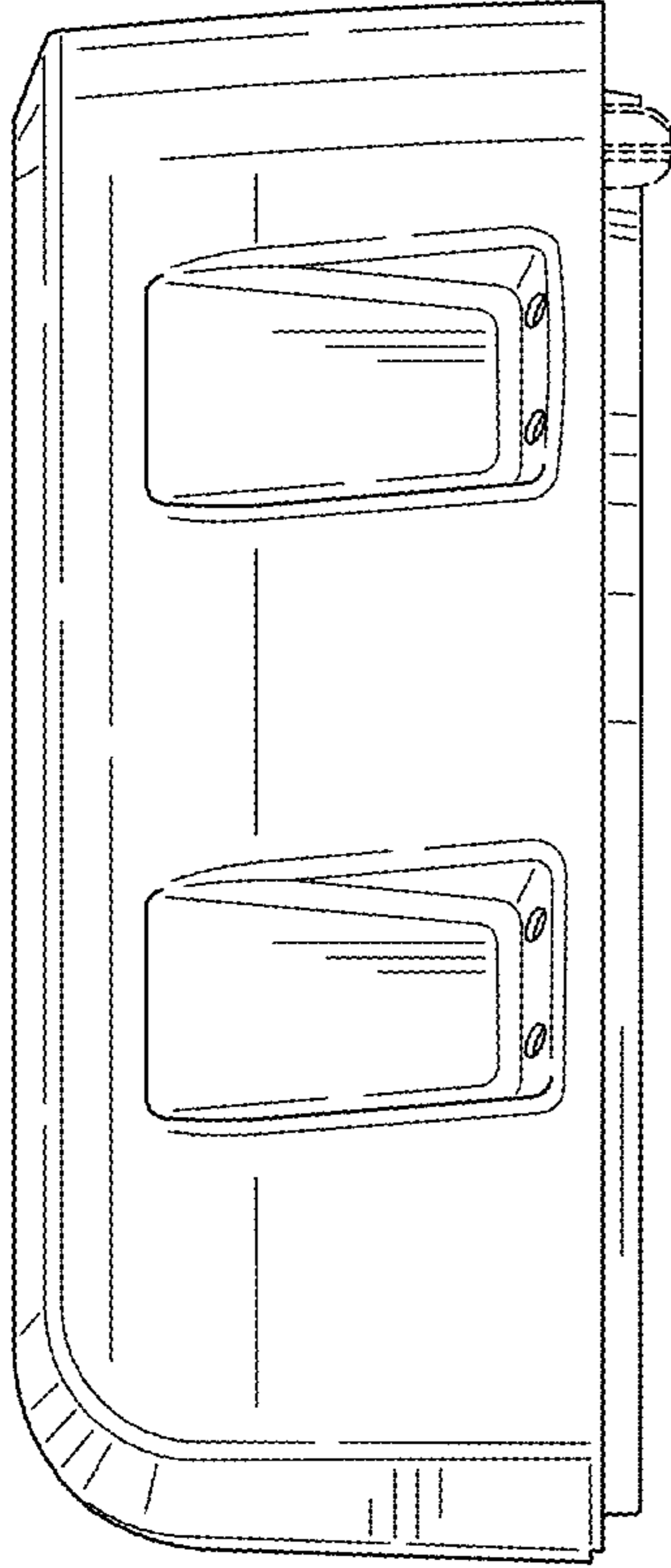


FIG 7

