



US00D778791S

(12) **United States Design Patent**
Burki et al.

(10) **Patent No.:** **US D778,791 S**
(45) **Date of Patent:** **** Feb. 14, 2017**

(54) **AUTOMOBILE BUMPER**

D651,134 S * 12/2011 Kulla D12/92
D718,664 S * 12/2014 Robinson D12/92
D754,566 S * 4/2016 Varga D12/92

(71) Applicant: **Dr. Ing. h.c.F. Porsche**
Aktiengesellschaft, Stuttgart (DE)

(72) Inventors: **Emiel Burki, Stuttgart (DE); Fabian**
Schmoelz, Pforzheim (DE)

(73) Assignee: **DR. ING. H.C.F. PORSCHE**
AKTIENGESELLSCHAFT, Stuttgart
(DE)

(**) Term: **15 Years**

(21) Appl. No.: **29/545,859**

(22) Filed: **Nov. 17, 2015**

(30) **Foreign Application Priority Data**

Jun. 29, 2015 (DE) 40 2015 100 593

(51) **LOC (10) Cl.** **12-08**

(52) **U.S. Cl.**
USPC **D12/169**

(58) **Field of Classification Search**
USPC D12/86-92, 163-172; 293/102-155;
296/35.2, 193.09, 193.1, 203.02
CPC B60R 19/02; B60R 19/023; B60R 19/18;
B60R 19/24; B60R 19/44; B60R 19/48;
B60R 19/56; B60R 2019/527; B60R
2019/1886
See application file for complete search history.

(56) **References Cited**

U.S. PATENT DOCUMENTS

D526,945 S * 8/2006 Lai D12/164
D528,056 S * 9/2006 Lai D12/164
D637,112 S * 5/2011 Saracoglu D12/92
D641,665 S * 7/2011 Larson D12/92

OTHER PUBLICATIONS

“2016 Porsche Mission—E concept—World Debut—LIVE—
Frankfurt 2015.” YouTube.com. 1:20. Published Sep. 14, 2015.
Accessed Aug. 29, 2016. Available online at URL: <https://www.
youtube.com/watch?v=WejdR9CSuDY>.*
Weiner, Eric. “Porsche Really Wants the Mission E to Stopm Tesla.”
automobilemag. Jun. 15, 2016. Accessed Aug. 29, 2016. Available
online at URL: <http://www.automobilemag.com/news/porsche-re-
ally-wants-mission-e-stomp-tesla/>.*

* cited by examiner

Primary Examiner — Cathron Brooks

Assistant Examiner — Christian P McLean

(74) *Attorney, Agent, or Firm* — Gerald E. Hespos;
Michael J. Porco; Matthew T. Hespos

(57) **CLAIM**

The ornamental design for an automobile bumper, as shown
and described.

DESCRIPTION

FIG. 1 is a front and side perspective of an automobile
bumper in accordance with my design;
FIG. 2 is a rear and side perspective view thereof;
FIG. 3 is a front elevational view thereof;
FIG. 4 is a rear elevational view thereof;
FIG. 5 is a side elevational view taken from the right side in
FIG. 1;
FIG. 6 is a side elevational view taken from the left side in
FIG. 1;
FIG. 7 is a top plan view thereof; and,
FIG. 8 is a bottom plan view thereof.

1 Claim, 7 Drawing Sheets

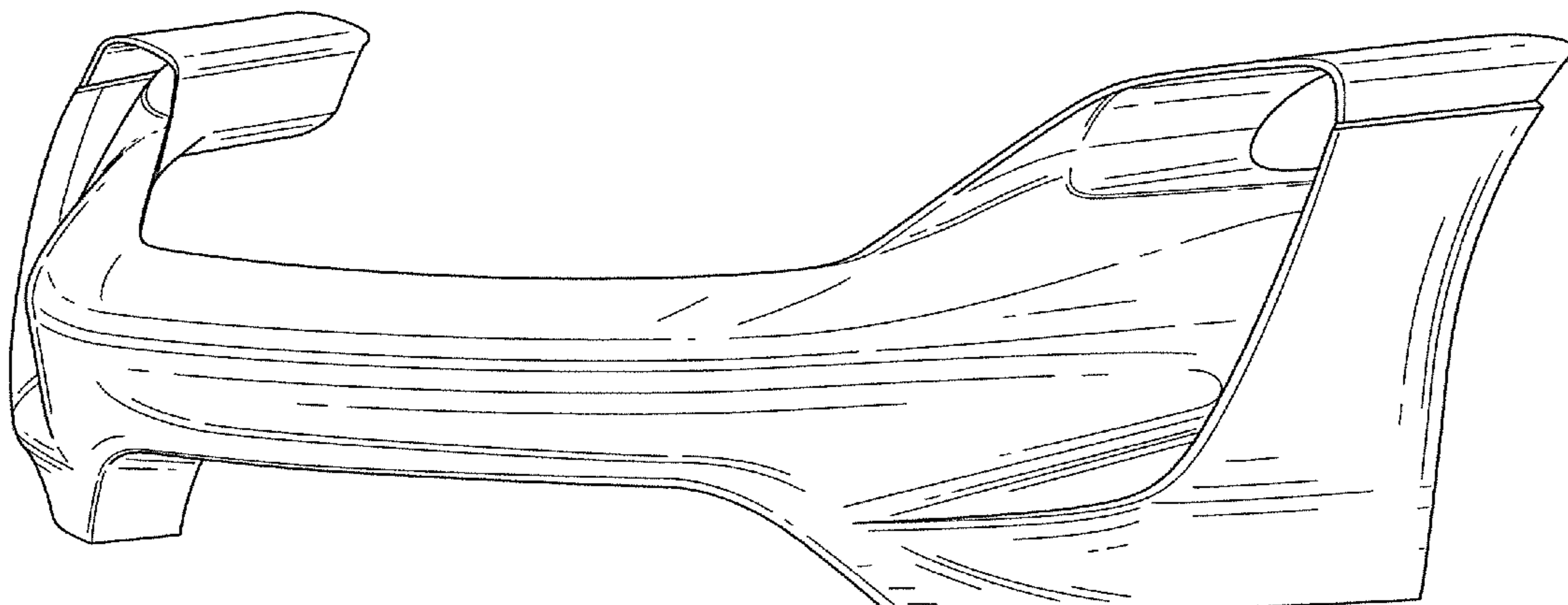




FIG. 1



FIG. 2

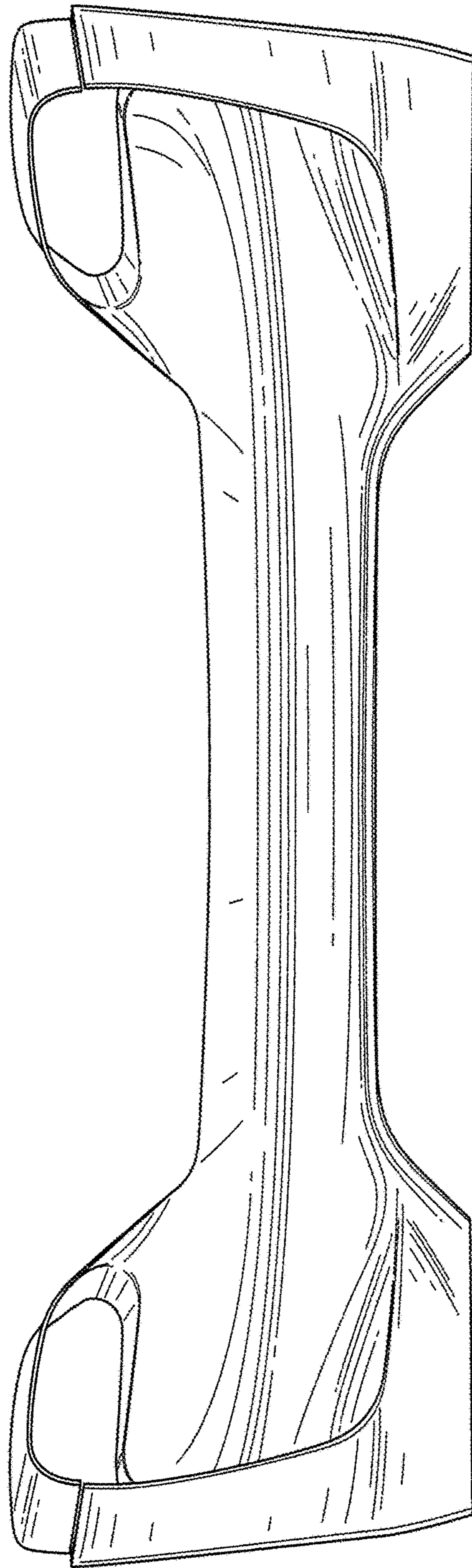


FIG. 3

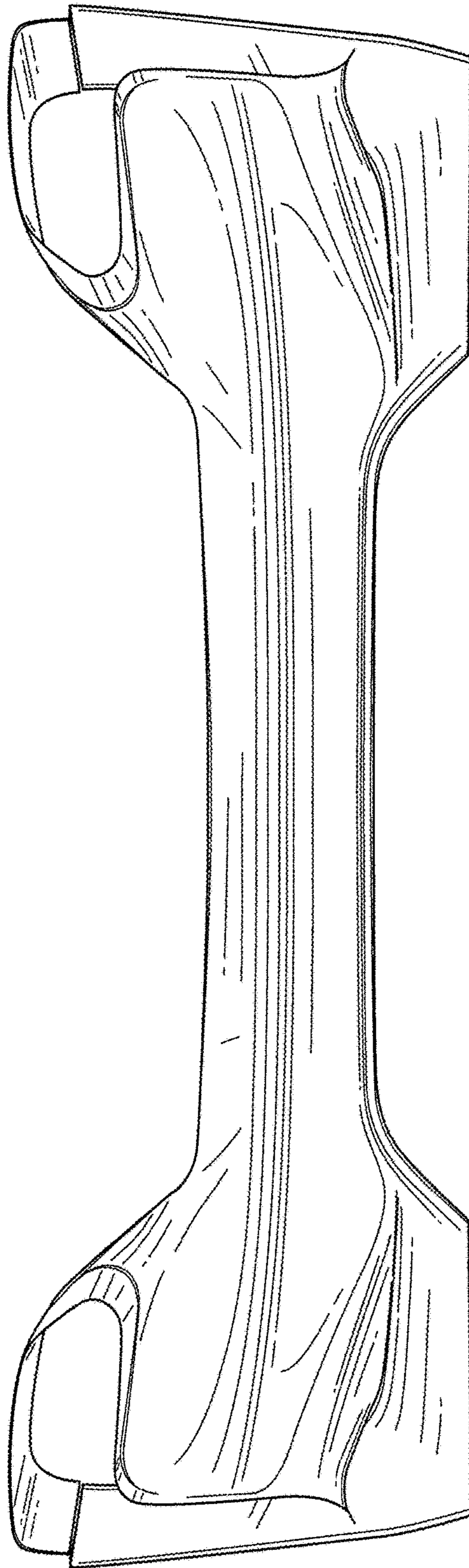


FIG. 4

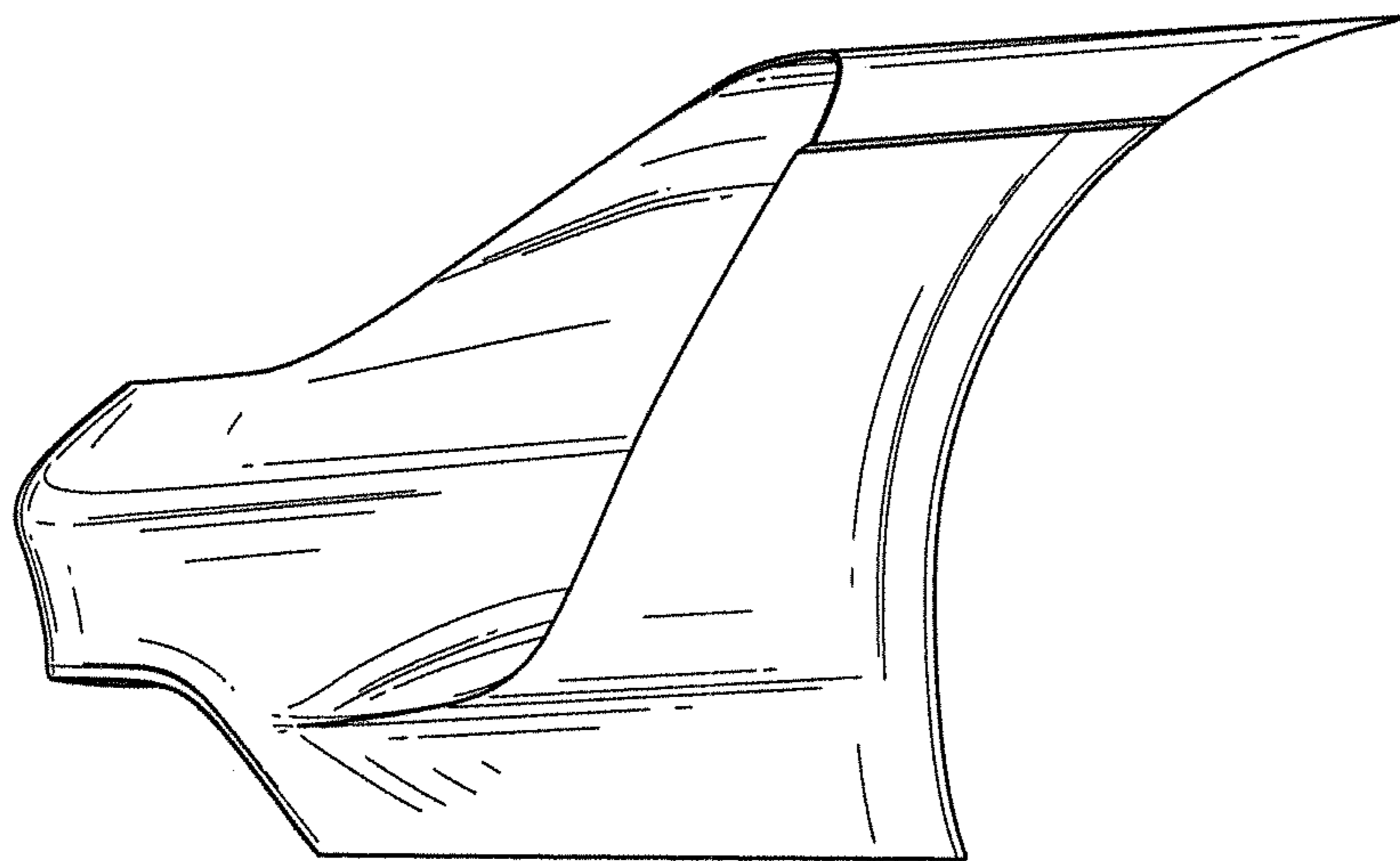


FIG. 5

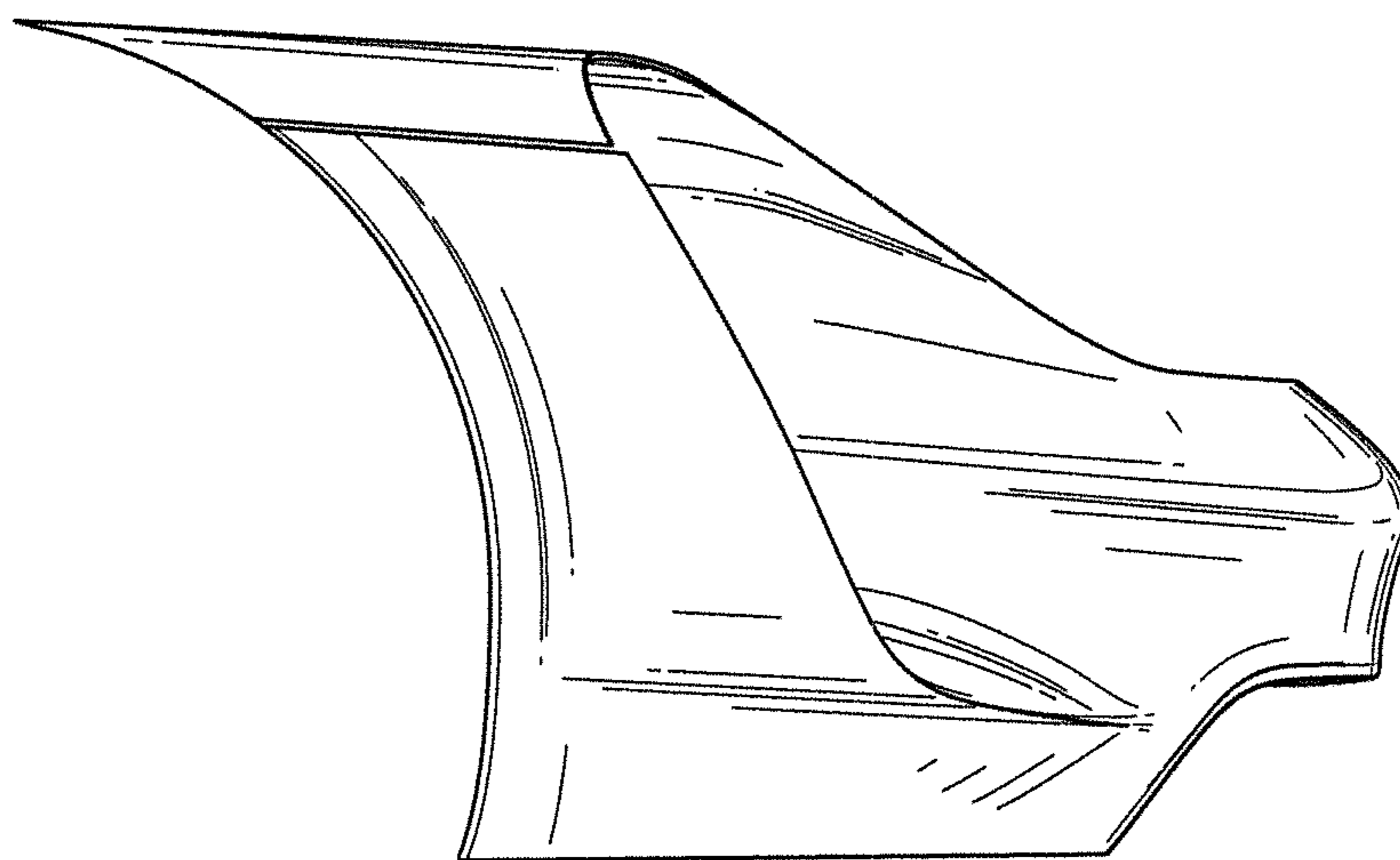


FIG. 6

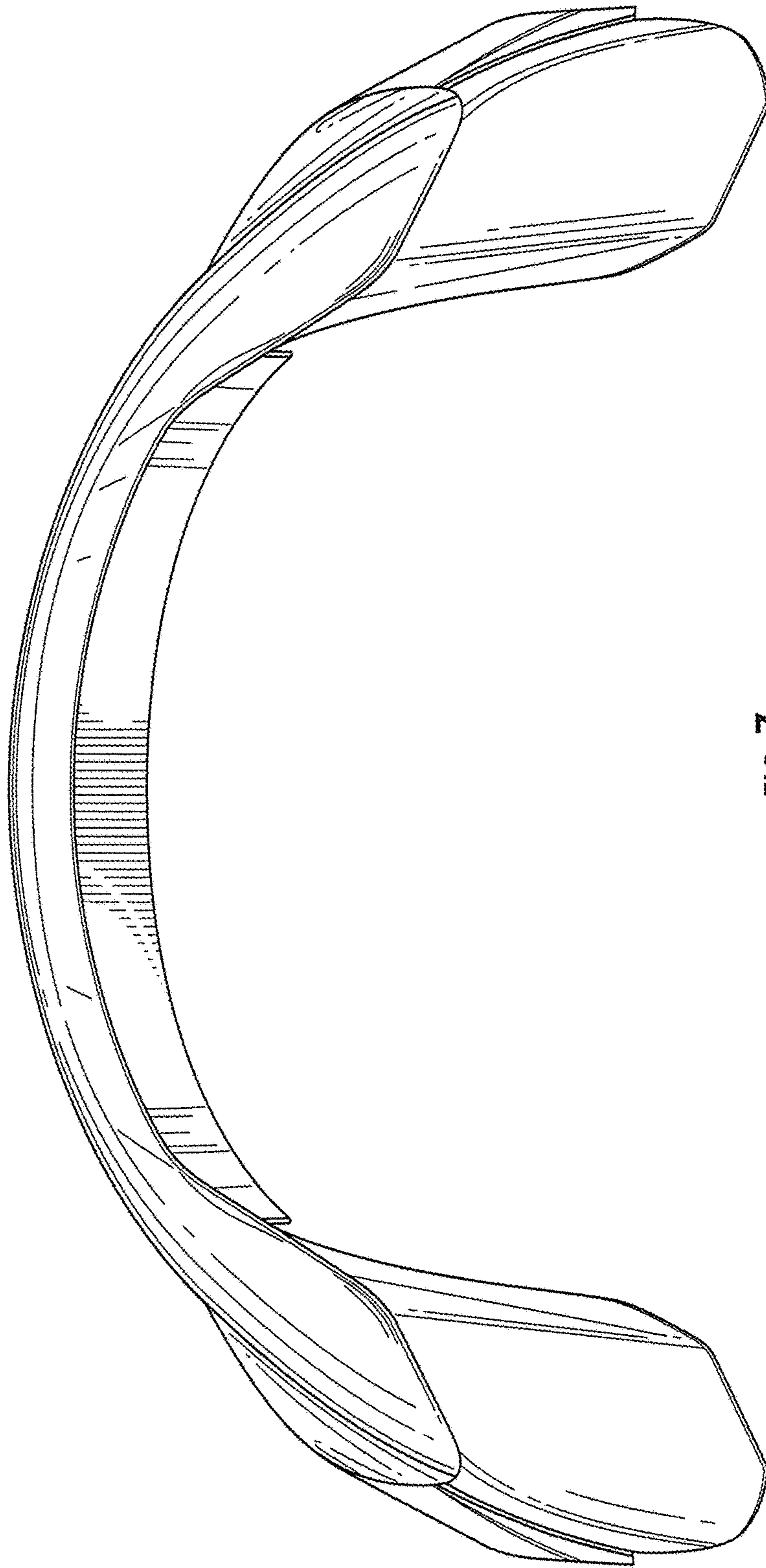


FIG. 7

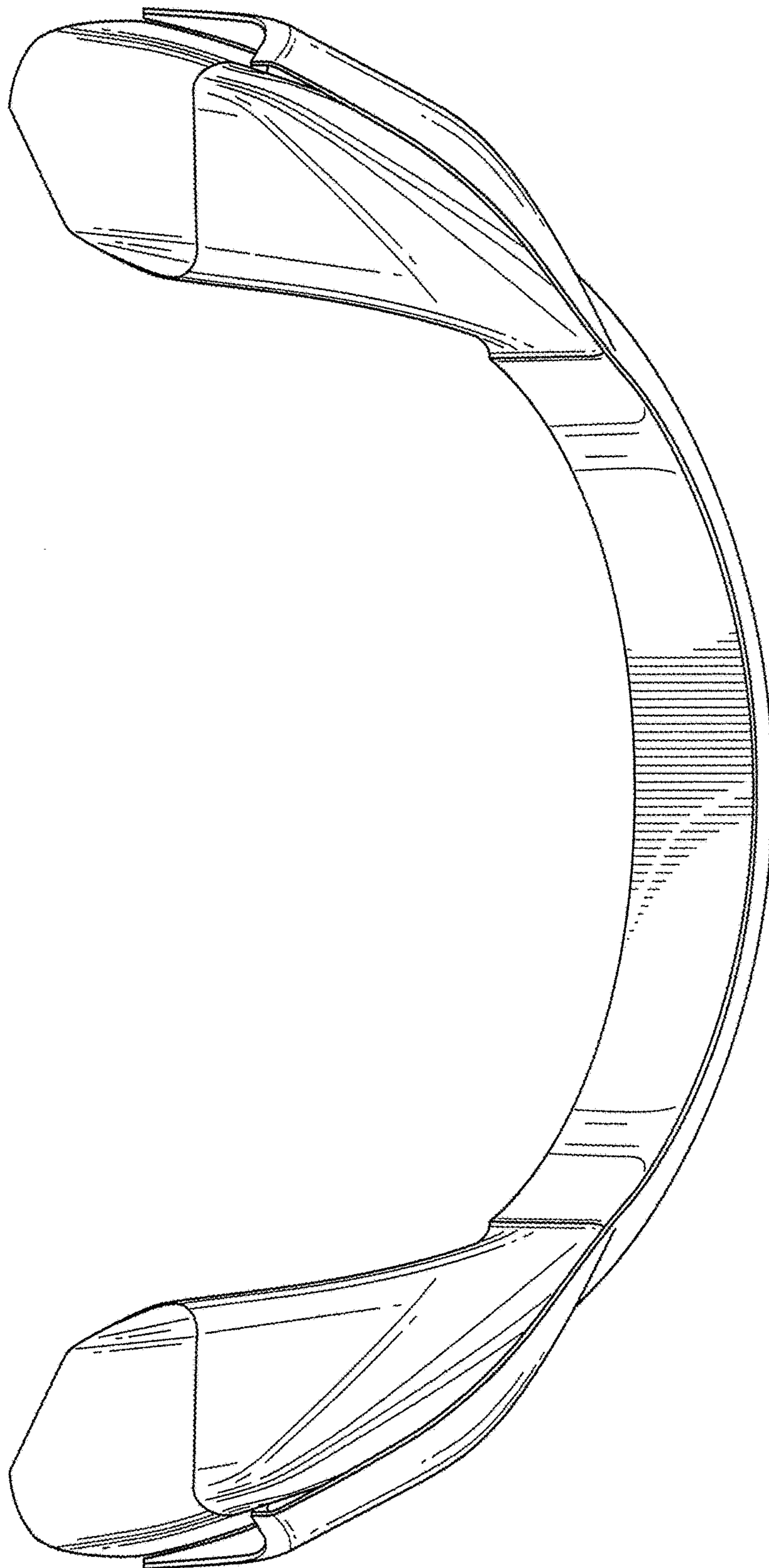


FIG. 8