



US00D778789S

(12) **United States Design Patent** (10) **Patent No.:** **US D778,789 S**  
**Douma et al.** (45) **Date of Patent:** **\*\* Feb. 14, 2017**

(54) **CHAIN GUARD**

D376,569 S \* 12/1996 Fang ..... D12/127  
D390,508 S \* 2/1998 Metcalf ..... D12/127  
D497,654 S \* 10/2004 Chen ..... D12/127  
8,317,644 B1 \* 11/2012 Bolch ..... B62J 13/04  
150/167

(71) Applicant: **Berg Toys Beheer B.V.**, Ede (NL)

(72) Inventors: **Johannes Willem Douma**, Maarssen (NL); **Hendrik van den Berg**, Wekerom (NL)

(73) Assignee: **Berg Toys Beheer B.V.**, Ede (NL)

(\*\*) Term: **14 Years**

(21) Appl. No.: **29/497,458**

(22) Filed: **Jul. 24, 2014**

(30) **Foreign Application Priority Data**

Feb. 7, 2014 (EM) ..... 002400937-0004

(51) **LOC (10) Cl.** ..... **12-11**

(52) **U.S. Cl.**  
USPC ..... **D12/127**

(58) **Field of Classification Search**  
USPC ..... D12/110, 111, 114, 126, 127; 74/558.5, 74/608, 611; 174/146, 147; 280/152.2, 280/288.1-288.4, 304.3; 301/37 P, 37 SS; 474/144-147  
CPC ..... B62J 13/04  
See application file for complete search history.

(56) **References Cited**

**U.S. PATENT DOCUMENTS**

D107,442 S \* 12/1937 Morgan ..... D12/127  
2,492,879 A \* 12/1949 Mueller ..... B62J 13/02  
474/146  
D181,684 S \* 12/1957 Schreckengost ..... D12/127  
D185,101 S \* 5/1959 Schreckengost ..... D12/127  
3,162,062 A \* 12/1964 Jacoby ..... B62J 13/04  
280/304.3  
D248,036 S \* 5/1978 Williams ..... D12/127  
D251,186 S \* 2/1979 Patterson ..... D12/127  
D355,872 S \* 2/1995 Haney ..... D12/127  
D368,683 S \* 4/1996 Kartchner ..... D12/127

**OTHER PUBLICATIONS**

“New Lightweight Carbon Guard for the Honda Cadet Engine.” Tillett., Oct. 11, 2012 [online], [retrieved on Aug. 24, 2016]. Retrieved from the Internet <URL: <https://www.tillett.co.uk/shop/shopblogs>.

[asp?type=New%20lightweight%20carbon%20guard%20for%20the%20Honda%20cadet%20engine](https://www.tillett.co.uk/shop/shopblogs)>.\*

“Chain Guard Complete for Shifter Kart!.” Shark Shifter., Apr. 12, 2013 [online], [retrieved on Aug. 24, 2016]. Retrieved from the Internet <URL: [http://sharkshifter.com/zc/index.php?main\\_page=product\\_info&cPath=492\\_270\\_274&products\\_id=1607&zenid=5bef51667e3995bb6508d52c61b62f92](http://sharkshifter.com/zc/index.php?main_page=product_info&cPath=492_270_274&products_id=1607&zenid=5bef51667e3995bb6508d52c61b62f92)>.\*

(Continued)

*Primary Examiner* — Darlington Ly

(74) *Attorney, Agent, or Firm* — Chiesa Shahinian & Giantomasi PC

(57) **CLAIM**

The ornamental design for a chain guard, as shown and described.

**DESCRIPTION**

FIG. 1 is a perspective view of the chain guard showing our new design;

FIG. 2 is a top view thereof;

FIG. 3 is a bottom view thereof;

FIG. 4 is a right side view thereof;

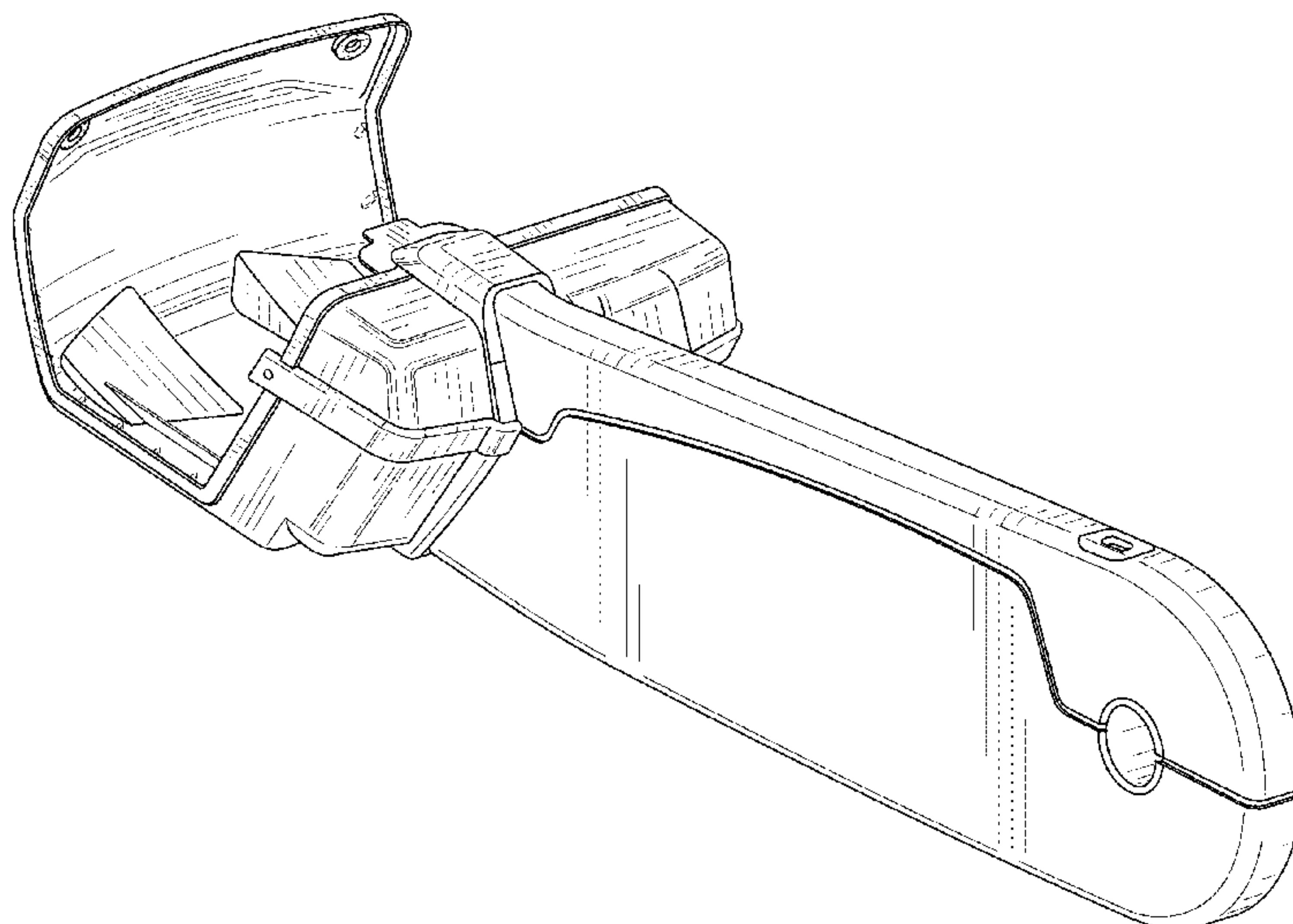
FIG. 5 is a left side view thereof;

FIG. 6 is a front view thereof; and,

FIG. 7 is a rear view thereof.

The broken lines in the drawings illustrate portions of the chain guard that forms no part of the claimed design.

**1 Claim, 7 Drawing Sheets**



(56)

**References Cited**

OTHER PUBLICATIONS

"0042.CAY Tony Kart OTK Carbon Fiber Chain Guard." Comet Kart Sales., Aug. 8, 2014 [online], [retrieved on Aug. 24, 2016]. Retrieved from the Internet <URL: <https://cometkartsales.com/0042.CAY-Carbon-Fiber-Chain-Guard.html>>.\*

\* cited by examiner

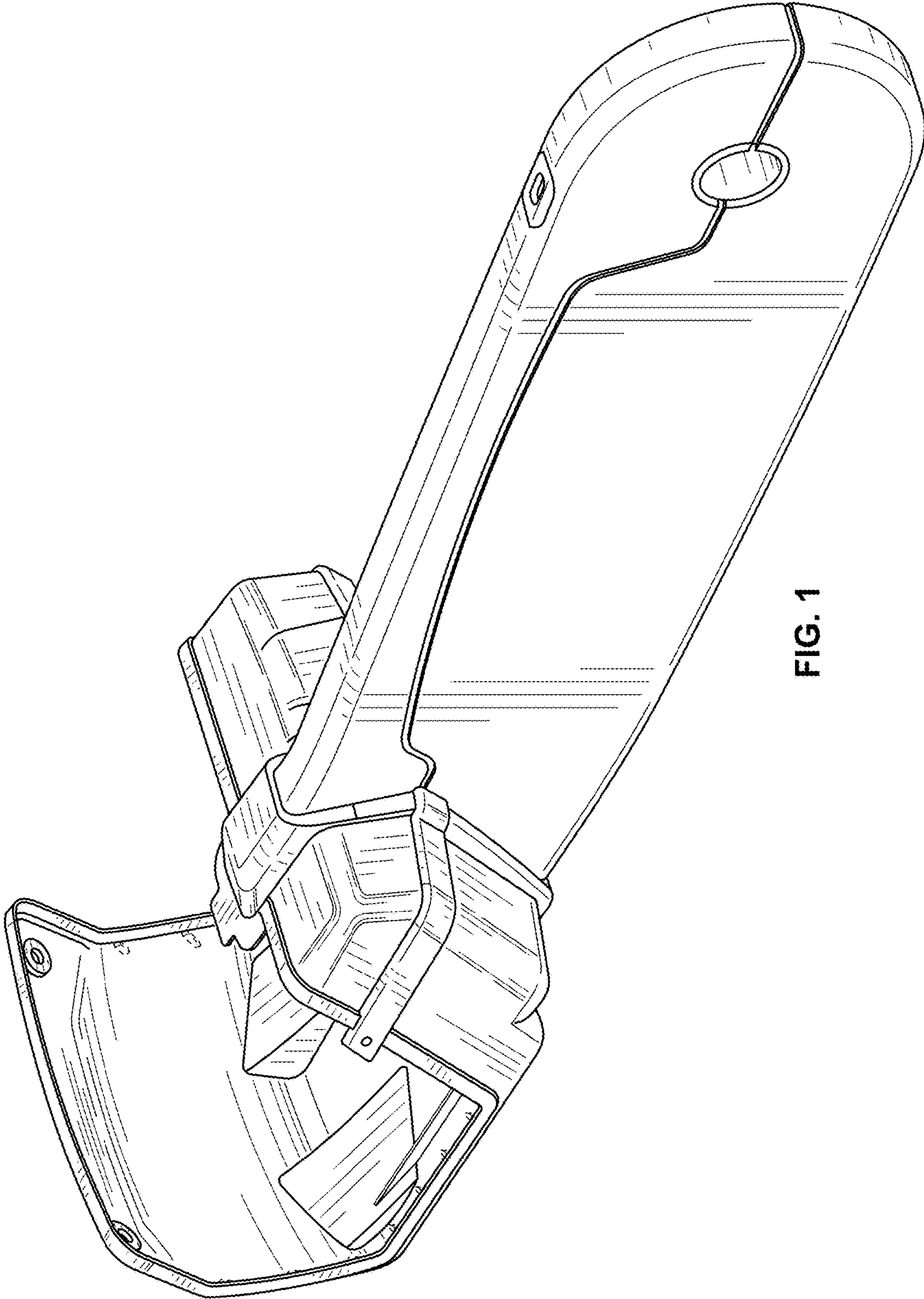


FIG. 1

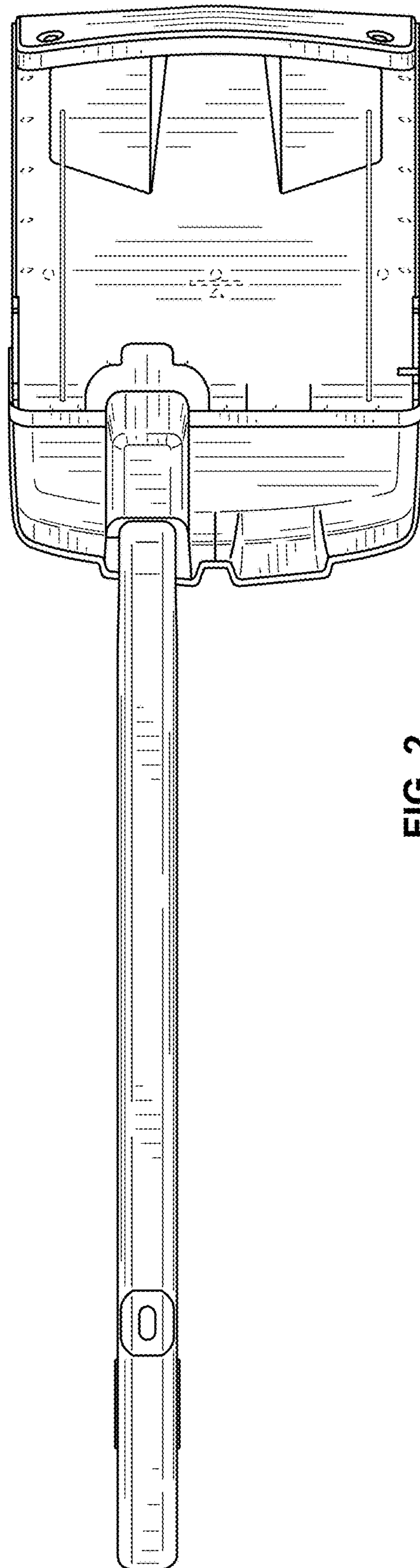


FIG. 2



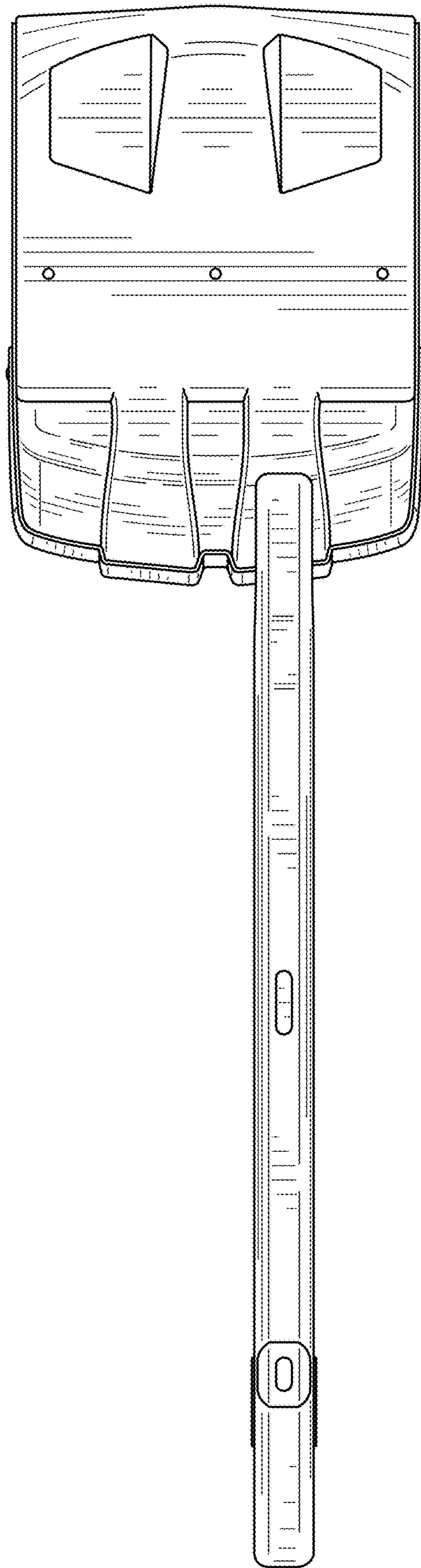


FIG. 3

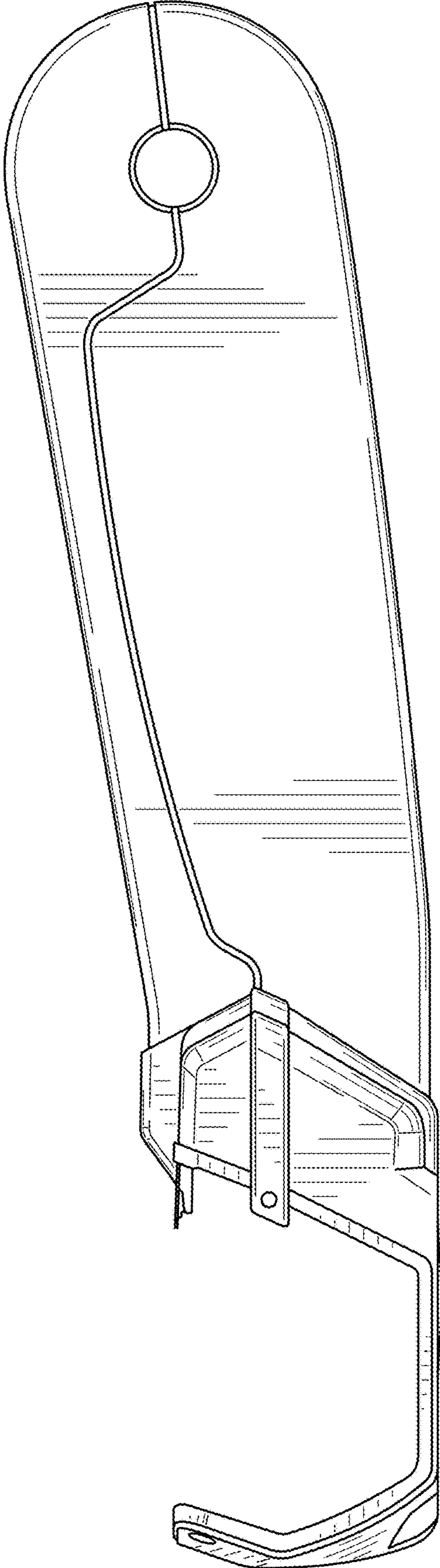


FIG. 4

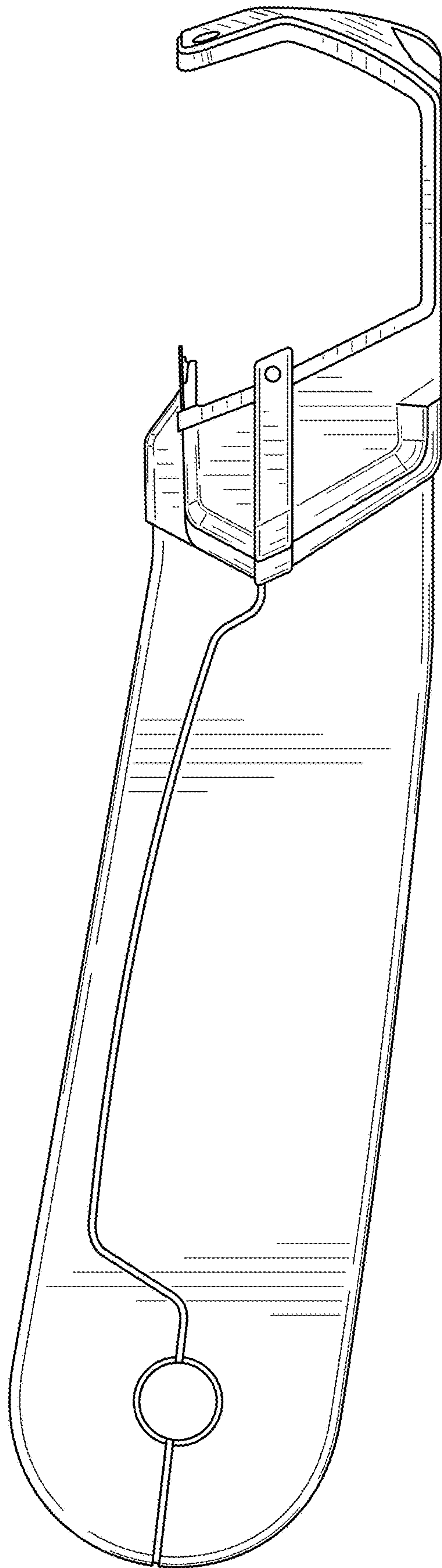


FIG. 5

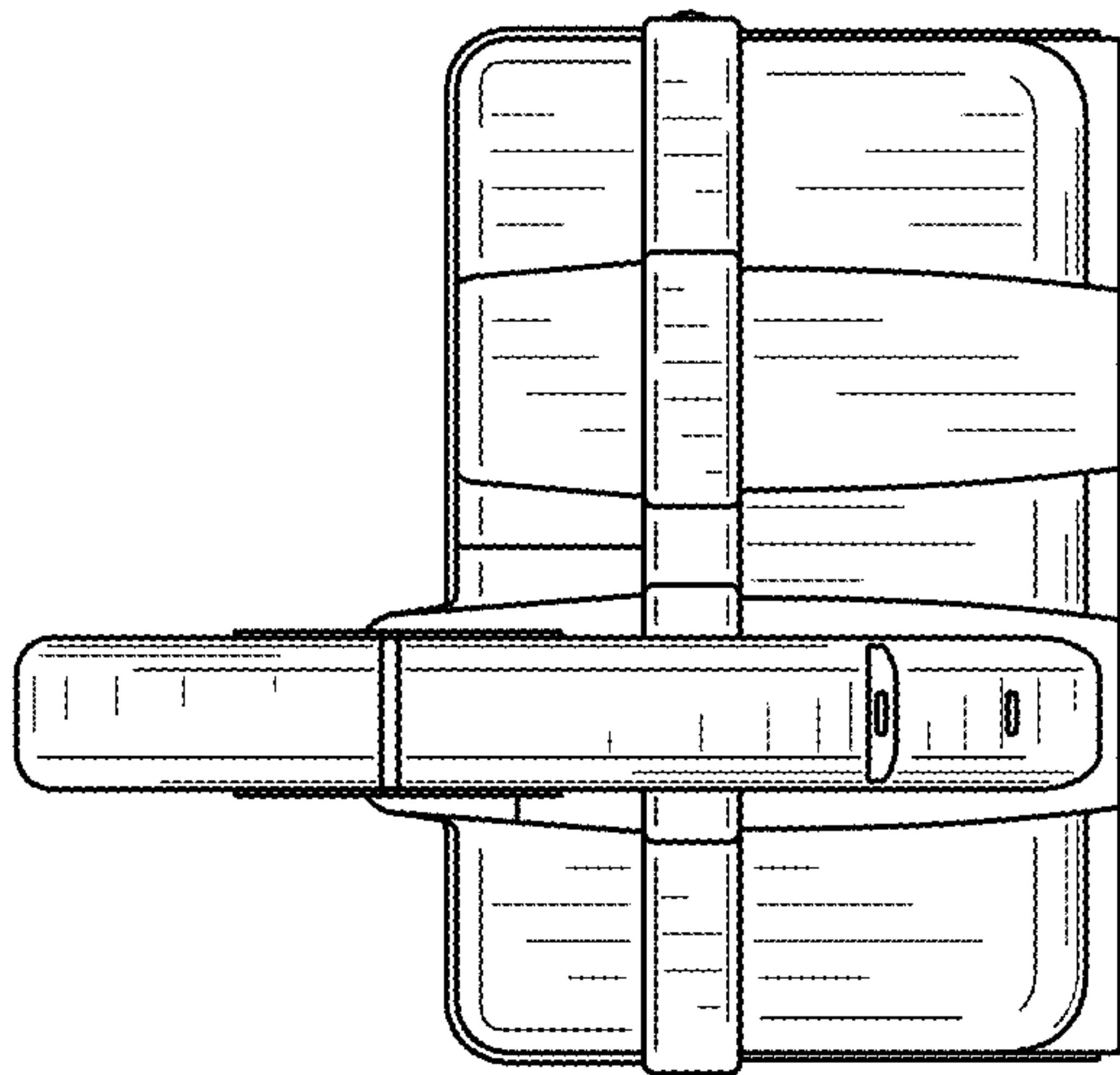


FIG. 6



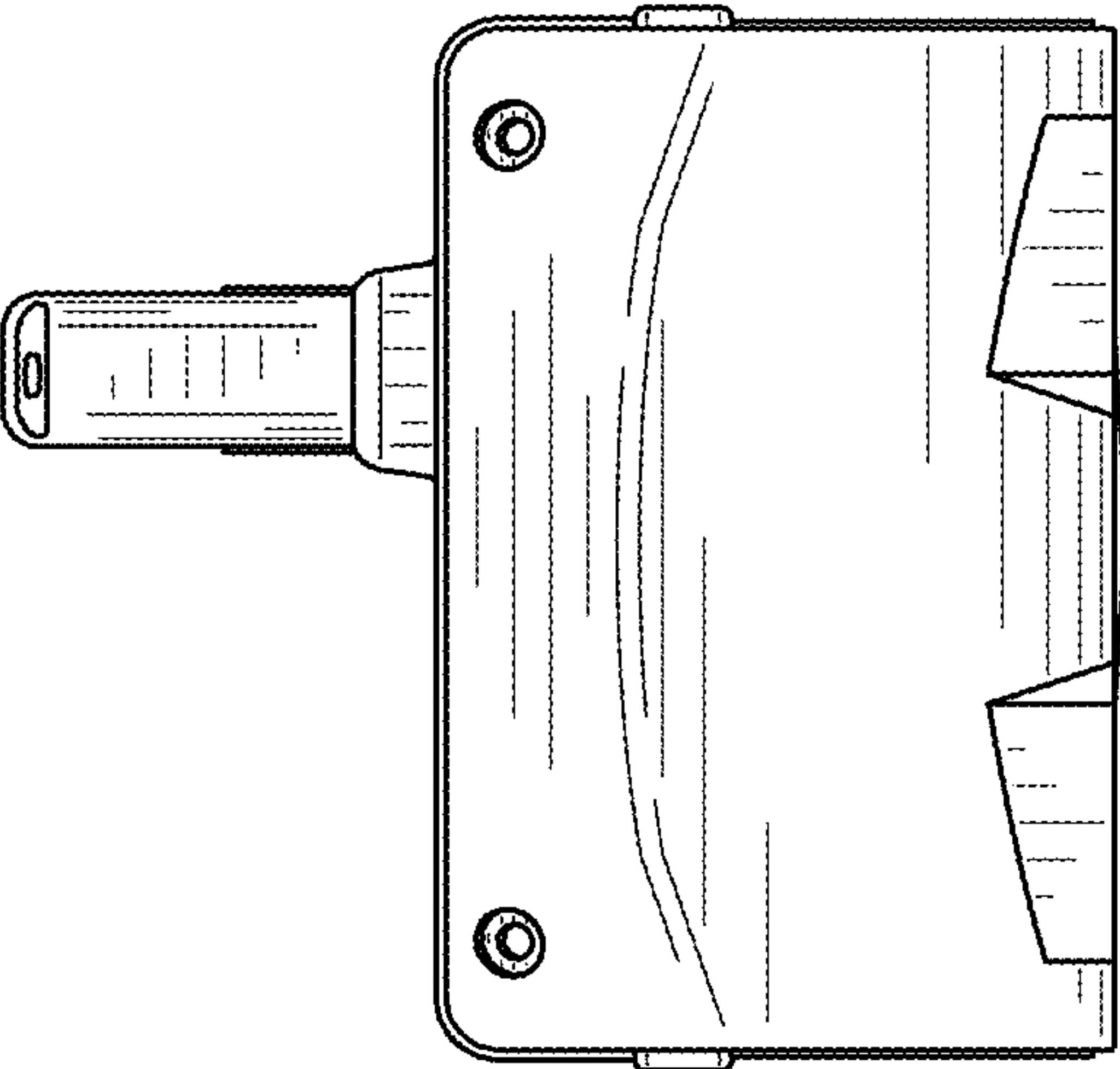


FIG. 7