



US00D778786S

(12) **United States Design Patent** (10) **Patent No.:** **US D778,786 S**  
**Giolito** (45) **Date of Patent:** **\*\* Feb. 14, 2017**

- (54) **VAN**
- (71) Applicant: **Fiat Group Automobiles S.p.A.**, Turin (IT)
- (72) Inventor: **Roberto Giolito**, Turin (IT)
- (73) Assignee: **Fiat Group Automobiles S.p.A.**, Turin (IT)
- (\*\*) Term: **15 Years**
- (21) Appl. No.: **29/560,549**
- (22) Filed: **Apr. 7, 2016**

**Related U.S. Application Data**

- (62) Division of application No. 29/511,195, filed on Dec. 8, 2014, now Pat. No. Des. 763,139.

**Foreign Application Priority Data**

- Jun. 12, 2014 (EM) ..... 002481259
- (51) **LOC (10) Cl.** ..... **12-08**
- (52) **U.S. Cl.**  
USPC ..... **D12/99; D12/91**
- (58) **Field of Classification Search**  
USPC ..... D12/86, 90-92, 99; D21/421, 433, 434;  
296/181.1, 181.5  
CPC ..... B62D 35/00; B62D 25/00; B62D 25/06;  
B62D 25/08; B62D 33/00  
See application file for complete search history.

(56) **References Cited**

U.S. PATENT DOCUMENTS

D514,029 S *	1/2006	Truong .....	D12/99
D719,486 S *	12/2014	Murakami .....	D12/91
D731,362 S *	6/2015	Gorsten Schuenemann ..	D12/91
D732,429 S *	6/2015	Loeb .....	D12/91
D732,431 S *	6/2015	Loeb .....	D12/91
D734,690 S *	7/2015	Ahn .....	D12/91
D763,139 S *	8/2016	Giolito .....	D12/99

\* cited by examiner

*Primary Examiner* — Melody N Brown

(74) *Attorney, Agent, or Firm* — Cowan, Liebowitz & Latman, P.C.

(57) **CLAIM**

The ornamental design for a van, as shown and described.

**DESCRIPTION**

FIG. 1 is a front view of a van showing my design;

FIG. 2 is a rear view thereof;

FIG. 3 is a right side view thereof;

FIG. 4 is a left side view thereof;

FIG. 5 is a left front perspective view thereof;

FIG. 6 is a right front perspective view thereof; and,

FIG. 7 is a rear perspective view thereof.

The present design relates to a van, including a passenger van, a minivan, a utility van, a toy van, a replica van and a scale-model van.

**1 Claim, 6 Drawing Sheets**

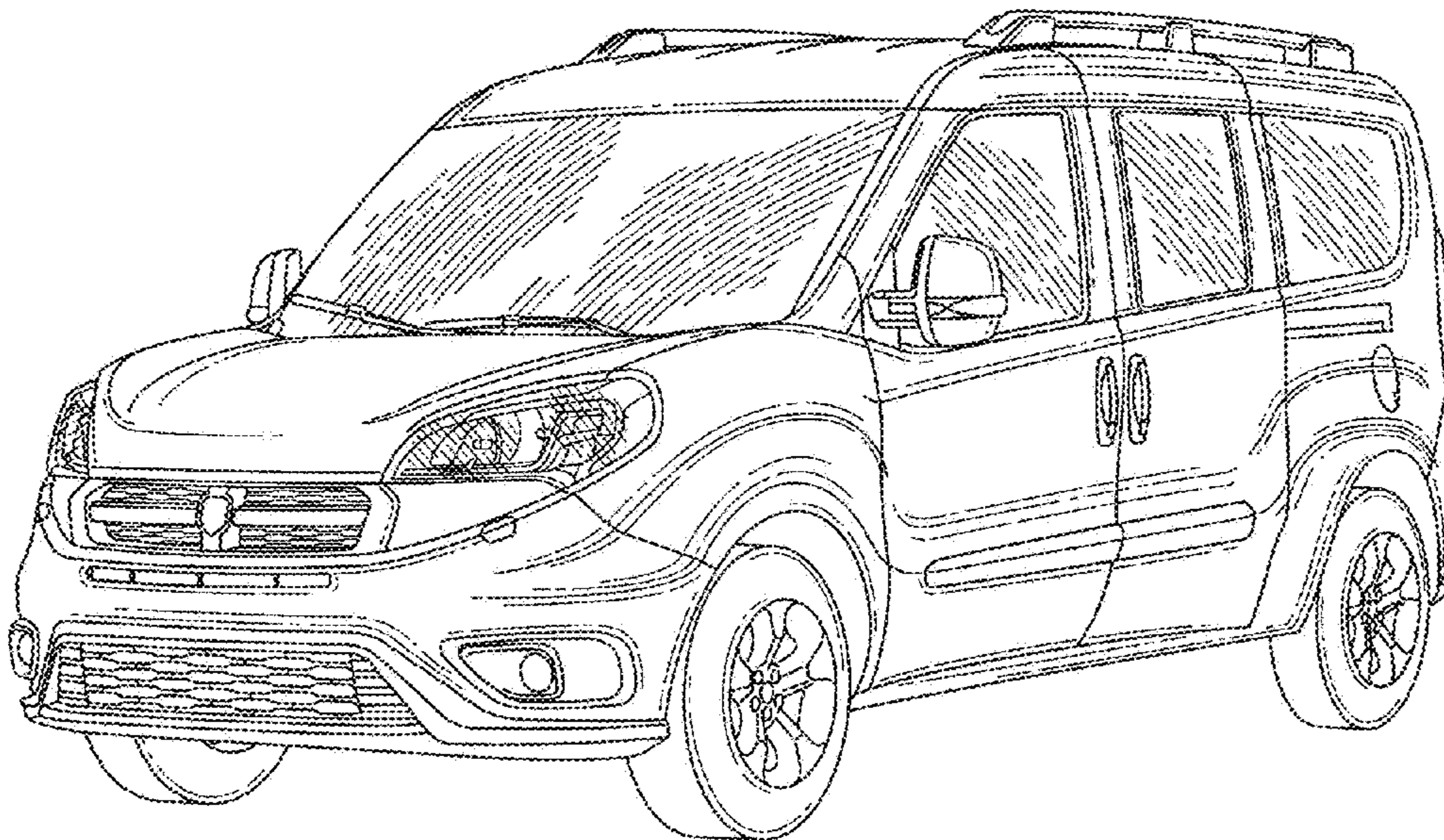


FIG. 1

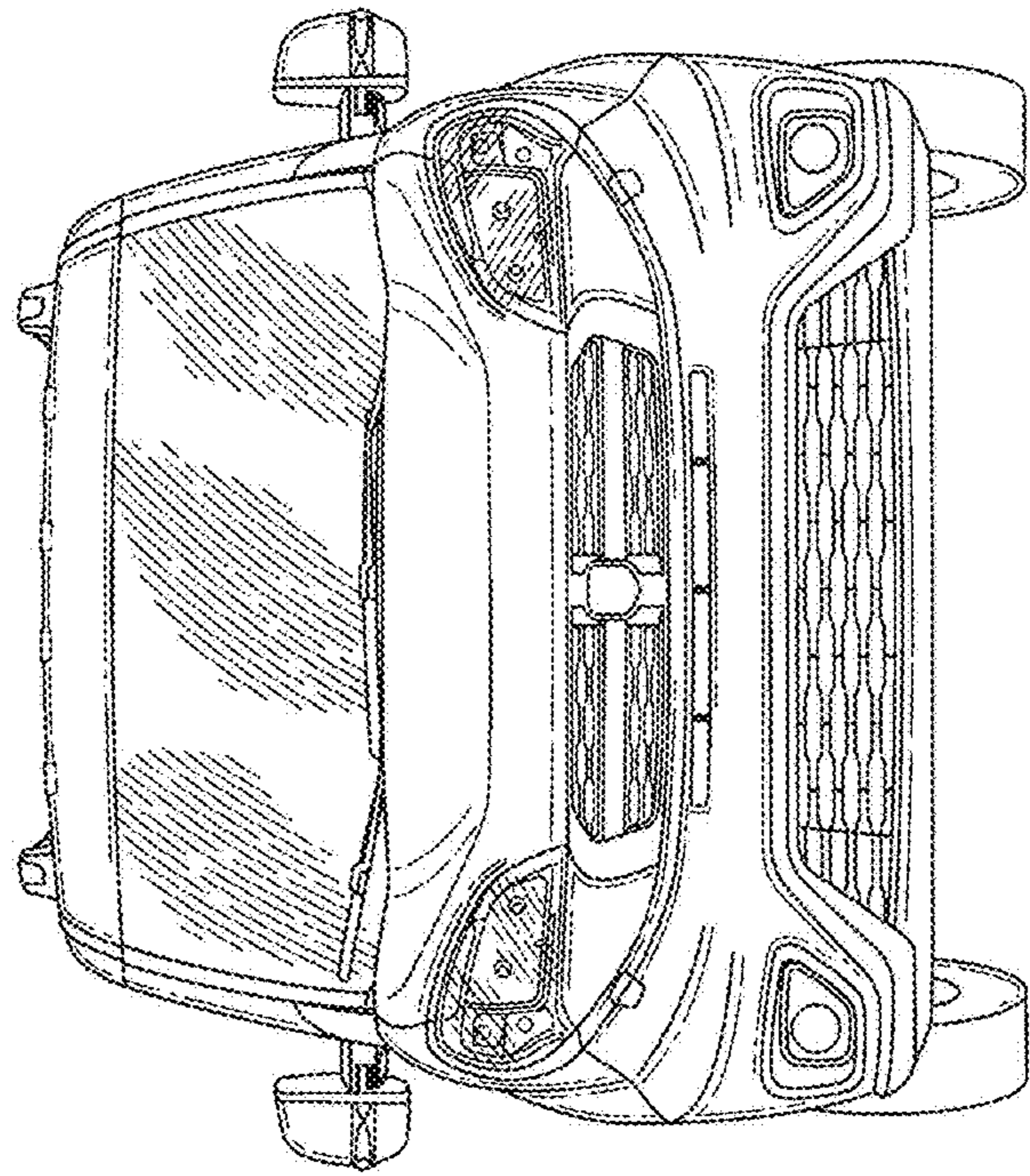
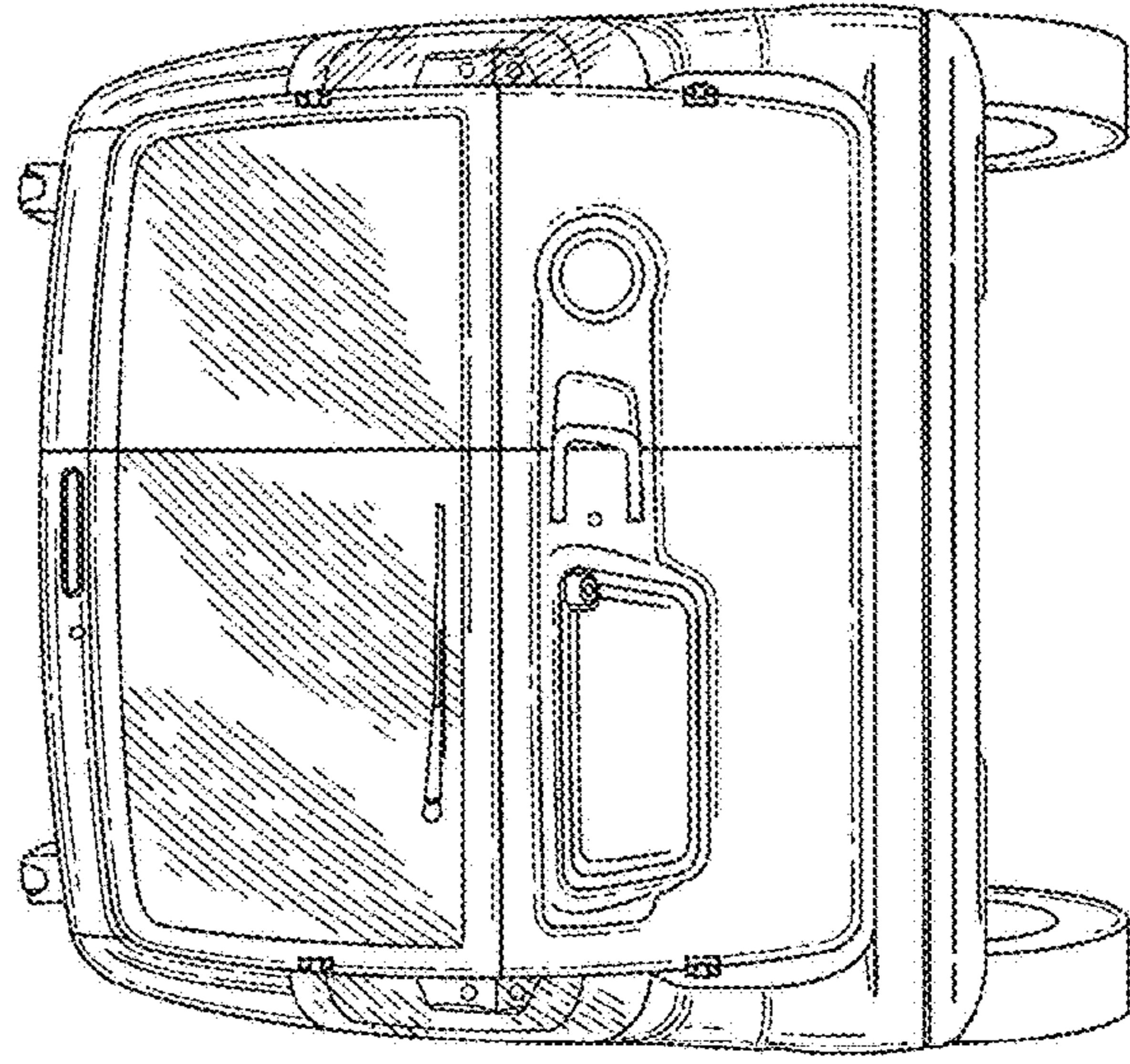


FIG. 2

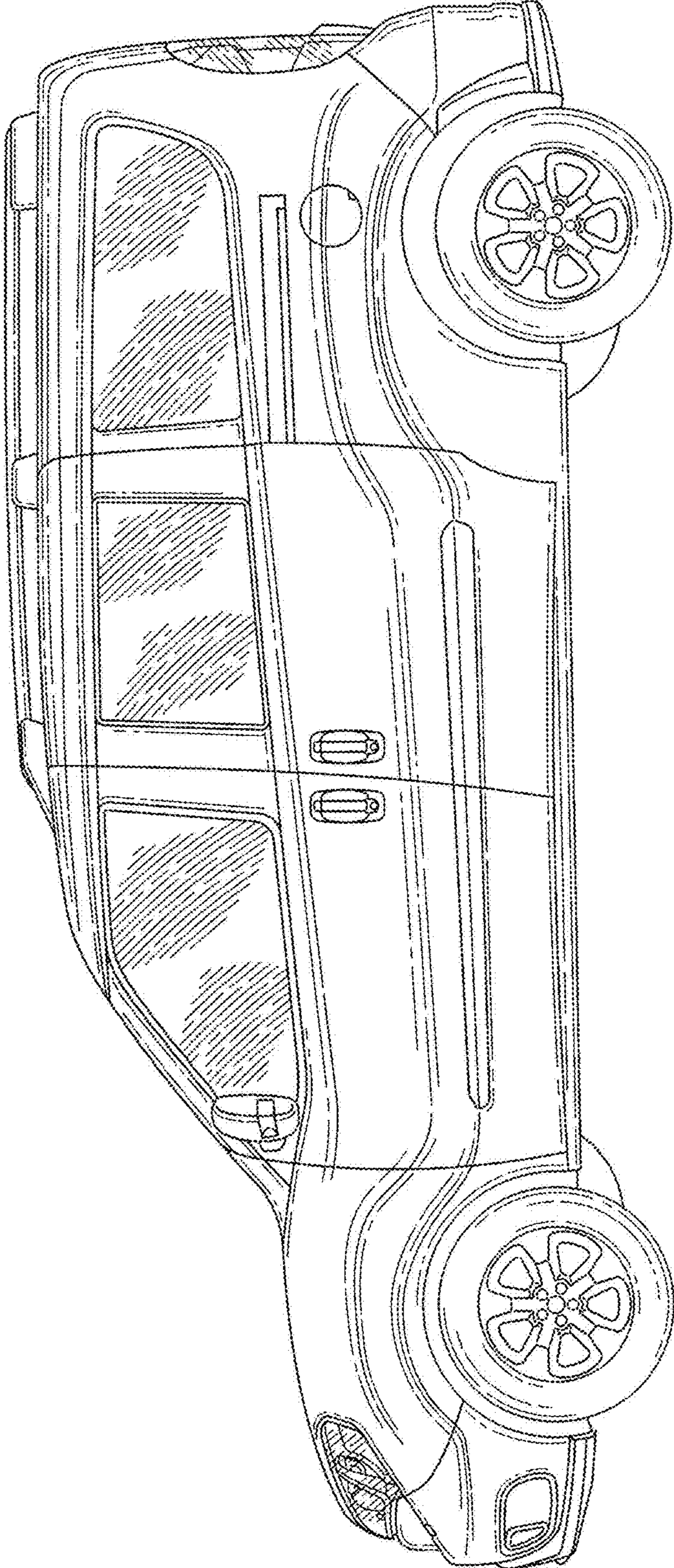


FIG. 3

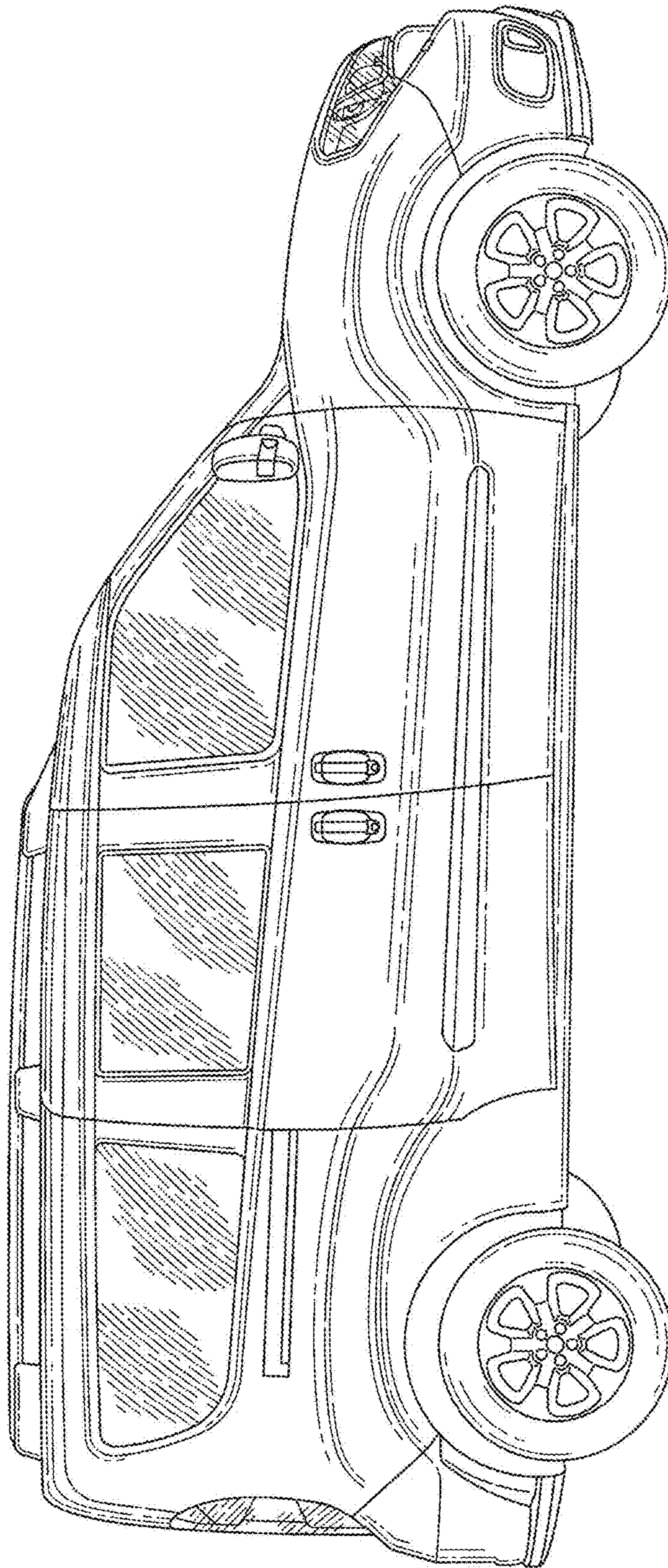


FIG. 4

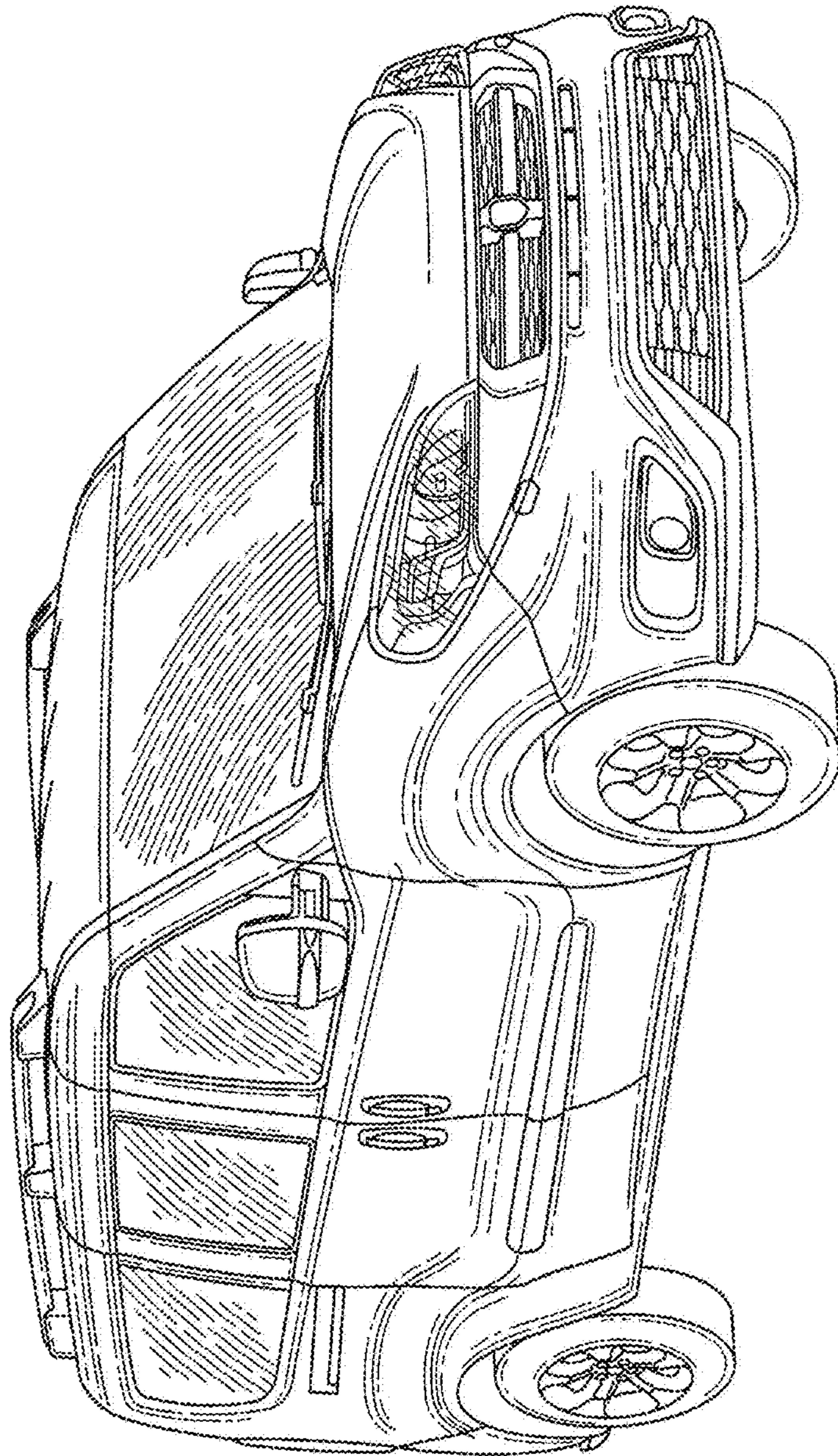


FIG. 5

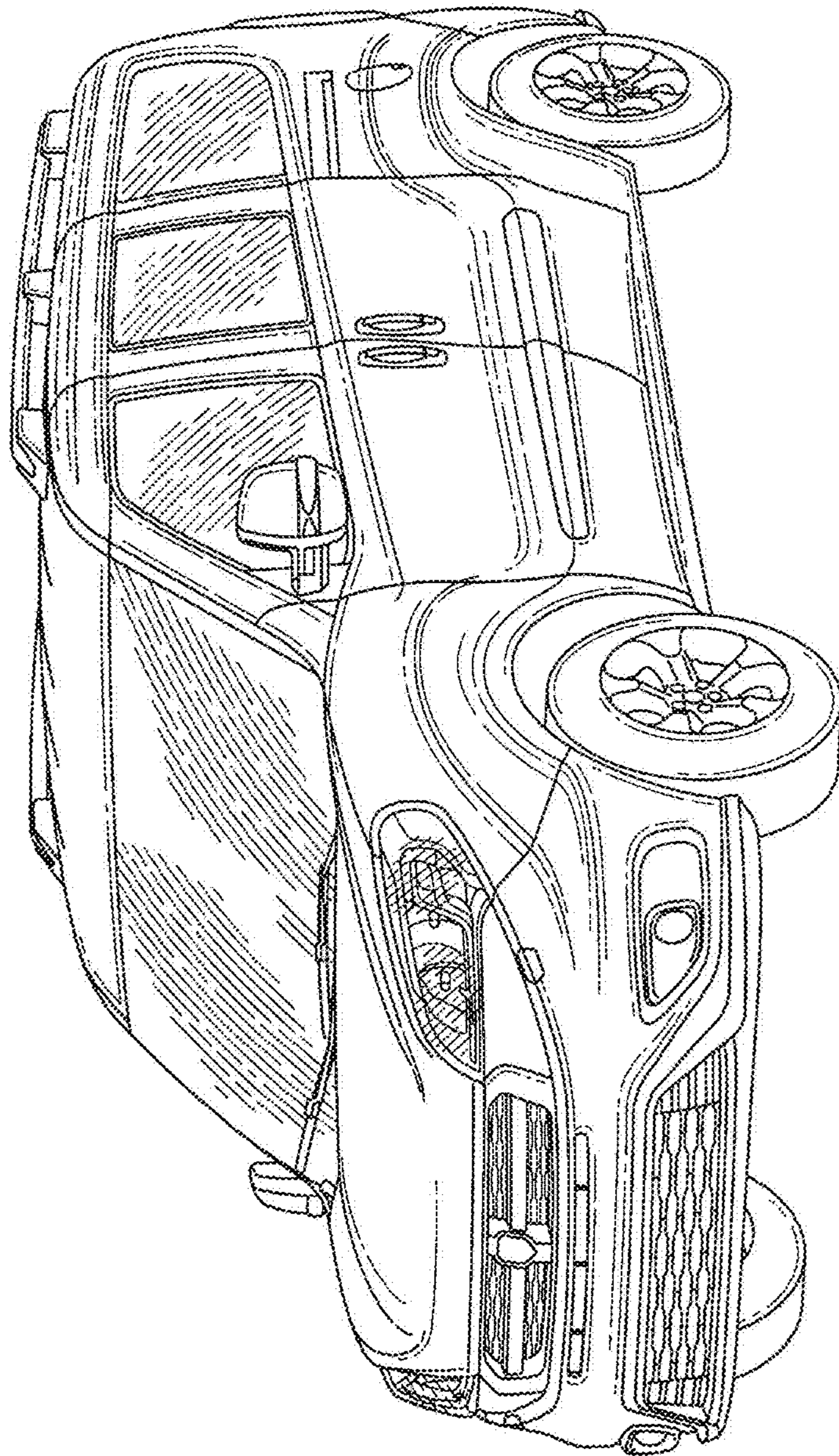


FIG. 6

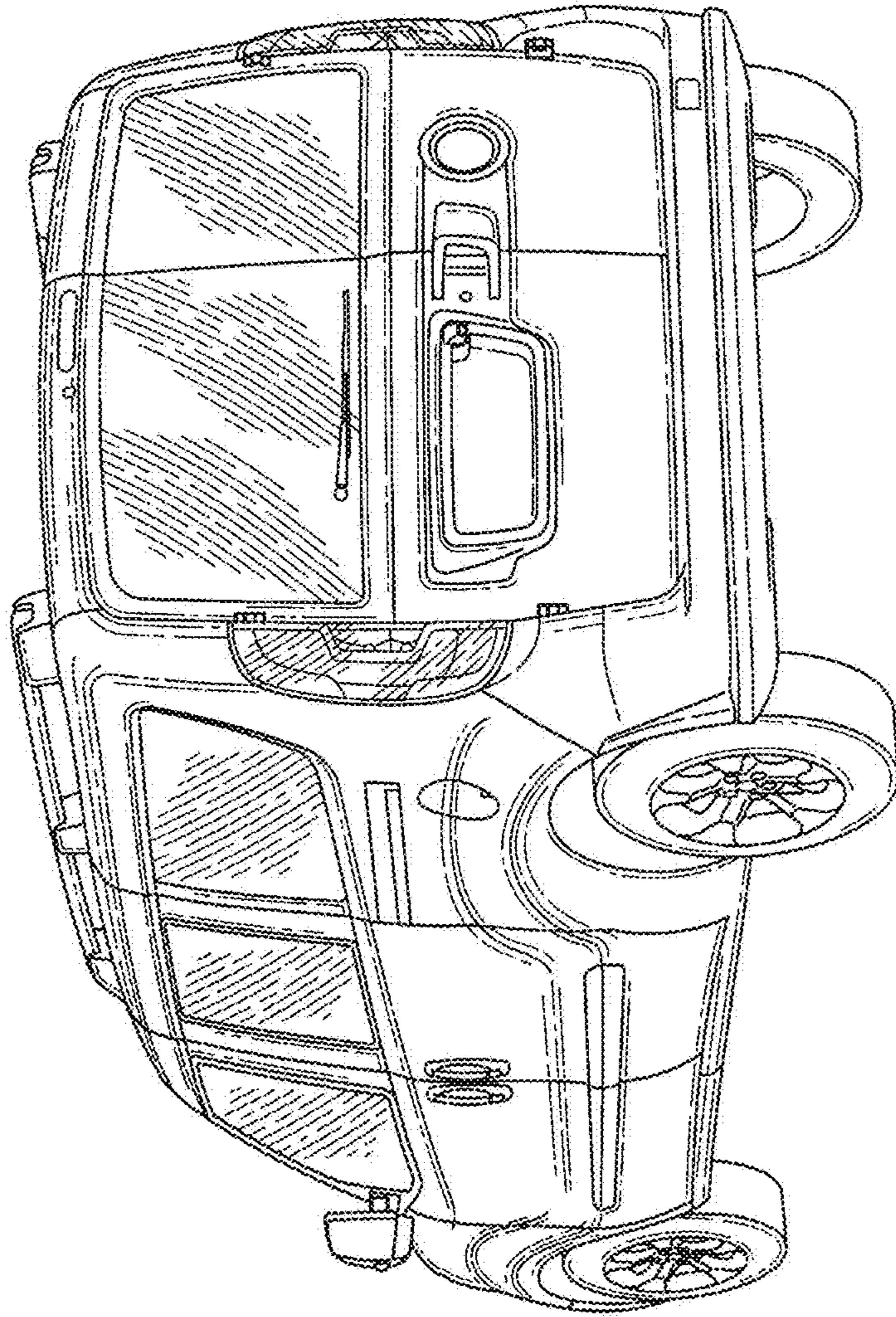


FIG. 7