



US00D778784S

(12) **United States Design Patent**
Hirooka

(10) **Patent No.:** **US D778,784 S**

(45) **Date of Patent:** **** Feb. 14, 2017**

- (54) **TRANSPORT VEHICLE**
- (71) Applicant: **Kubota Corporation**, Osaka-shi (JP)
- (72) Inventor: **Yoshimi Hirooka**, Sakai (JP)
- (73) Assignee: **Kubota Corporation**, Osaka (JP)
- (**) Term: **14 Years**
- (21) Appl. No.: **29/521,475**
- (22) Filed: **Mar. 24, 2015**
- (51) **LOC (10) Cl.** **12-13**
- (52) **U.S. Cl.**
USPC **D12/14; D12/222**
- (58) **Field of Classification Search**
USPC D12/1, 12, 14, 15, 222, 223, 86, 400,
D12/401, 404, 406, 412, 414, 93, 101,
D12/173, 85, 87, 88, 91; 280/756
CPC B62D 35/00; B62D 39/00; B62D 47/00;
B62D 47/003; B62D 63/02; B62D
33/0617; B62D 33/00; A01B
59/02; B60L 2200/22; B60Y
2200/86; B60Y 2200/91; B60R 21/13;
B60R 21/11; B60R 21/131; B60R
2021/0074; B60R 2021/0081; B60R
2021/0083
See application file for complete search history.

- (56) **References Cited**
U.S. PATENT DOCUMENTS
7,578,544 B1 8/2009 Shimamura et al.
7,581,780 B2 9/2009 Shimamura et al.
8,322,770 B2* 12/2012 Kosuge B60N 2/3018
296/183.1
8,550,500 B2* 10/2013 Yamamoto B60R 22/24
280/749
8,752,878 B2* 6/2014 Yamamoto B62D 33/0273
296/146.1
8,864,174 B2* 10/2014 Minami B60N 2/36
280/756

- 8,899,620 B1* 12/2014 Bhardwaj B60R 21/13
280/756
- 9,016,759 B2* 4/2015 Ricketts B60R 21/06
296/146.1
- 9,016,760 B2* 4/2015 Kuroda B60R 21/06
296/146.5
- D761,713 S* 7/2016 Hensley D12/222
- D764,349 S* 8/2016 Kuramoto D12/14
- 9,403,560 B2* 8/2016 Nakao B62D 33/027
- 2009/0184534 A1* 7/2009 Smith B60N 2/005
296/64
- 2010/0019539 A1 1/2010 Nakamura et al.
- 2011/0132678 A1 6/2011 Nakamura et al.
- 2011/0156429 A1* 6/2011 Shimizu B60N 2/3011
296/26.09
- 2012/0056411 A1* 3/2012 Nakamura B62D 21/186
280/756

(Continued)

Primary Examiner — T. Chase Nelson
Assistant Examiner — Ania Aman
(74) *Attorney, Agent, or Firm* — The Webb Law Firm

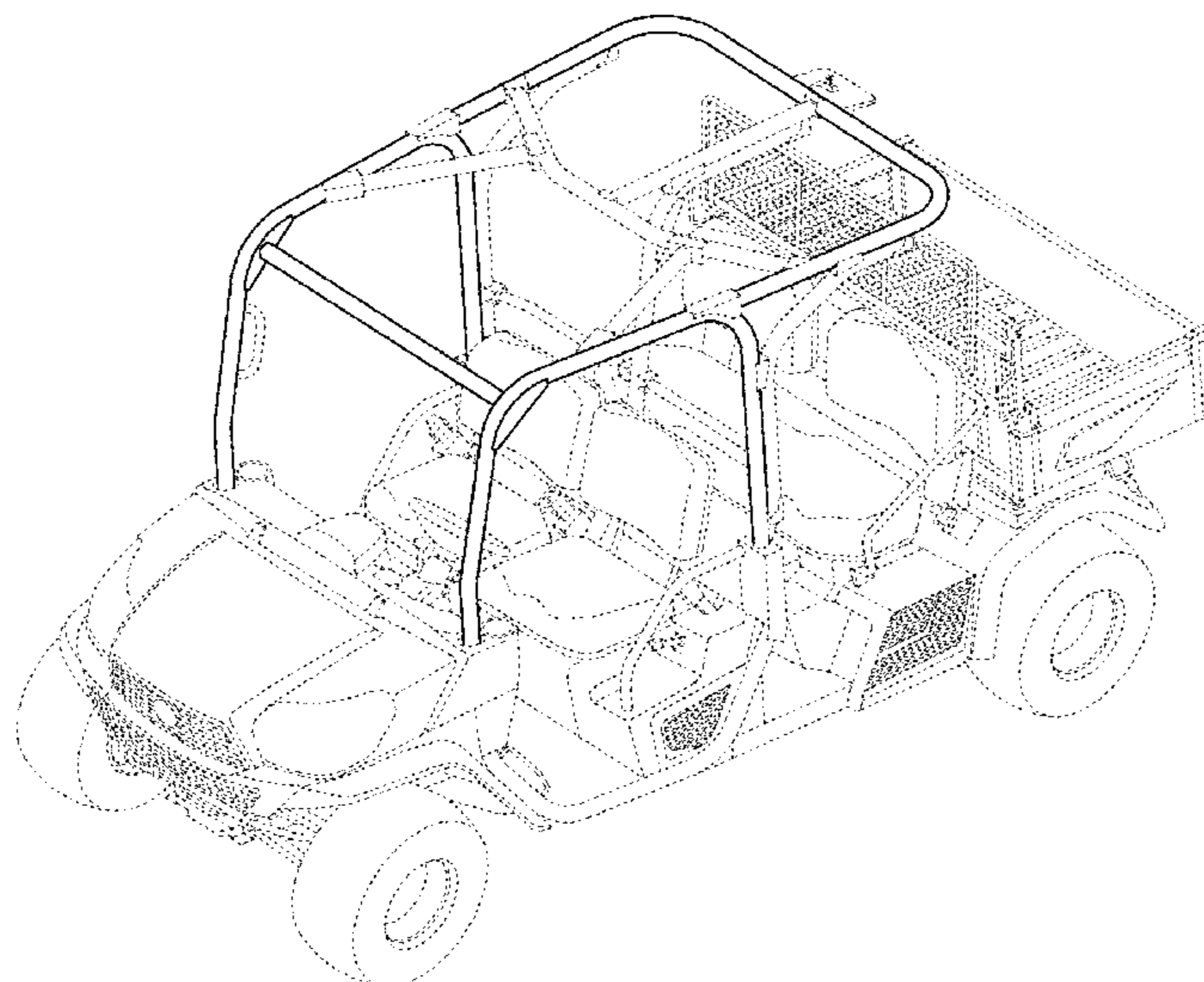
(57) **CLAIM**

The ornamental design for a transport vehicle, as shown and described.

DESCRIPTION

FIG. 1 is a front view of a transport vehicle showing my new design;
FIG. 2 is a rear view thereof;
FIG. 3 is a left side view thereof;
FIG. 4 is a right side view thereof;
FIG. 5 is a top view thereof; and,
FIG. 6 is a perspective view thereof.
A bottom view is omitted because it is plain and unornamental and forms no part of the subject matter of the claimed design.
The portions of the transport vehicle shown in broken lines form no part of the claimed design.

1 Claim, 6 Drawing Sheets



(56)

References Cited

U.S. PATENT DOCUMENTS

2013/0049339 A1* 2/2013 Kwon B60R 21/13
280/756
2013/0168994 A1* 7/2013 Yamamoto B62D 33/0273
296/63
2013/0173100 A1* 7/2013 Takagi G05D 17/02
701/22
2014/0210234 A1* 7/2014 Ricketts B60R 22/24
296/193.03
2015/0084321 A1* 3/2015 Hirooka B60R 21/13
280/756
2016/0090057 A1* 3/2016 Hirooka B60R 21/13
296/190.03

* cited by examiner

Fig.1

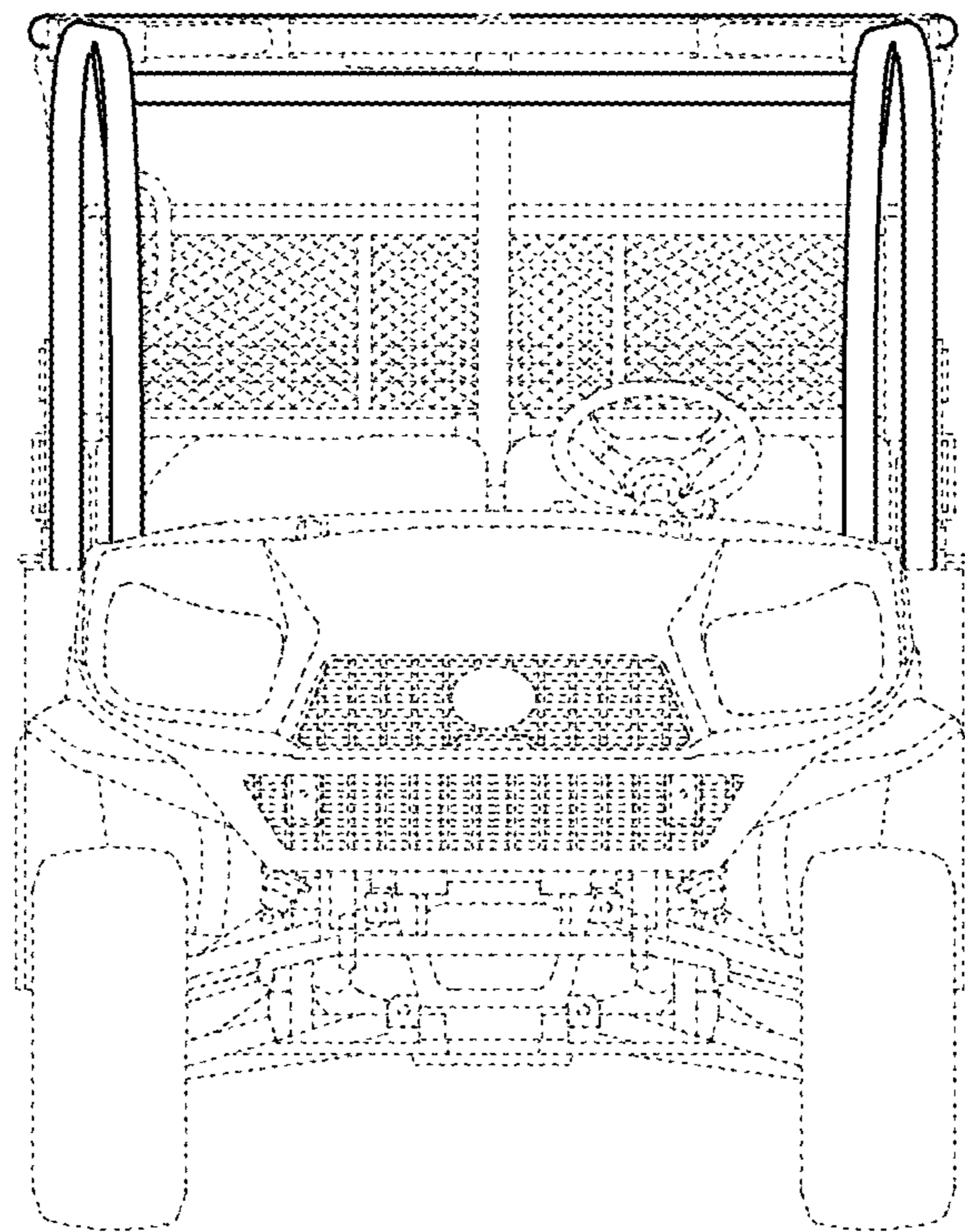


Fig.2

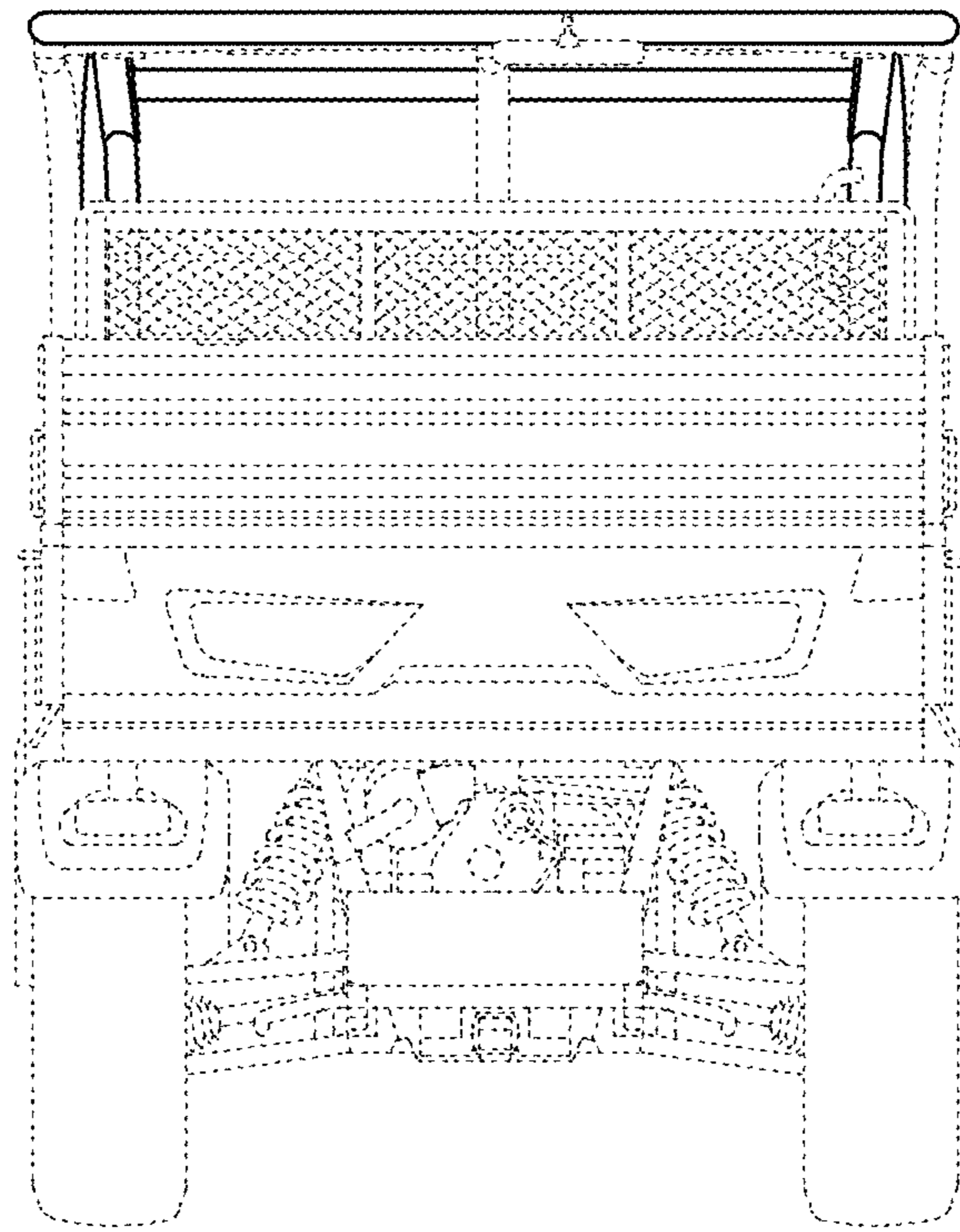


Fig.3

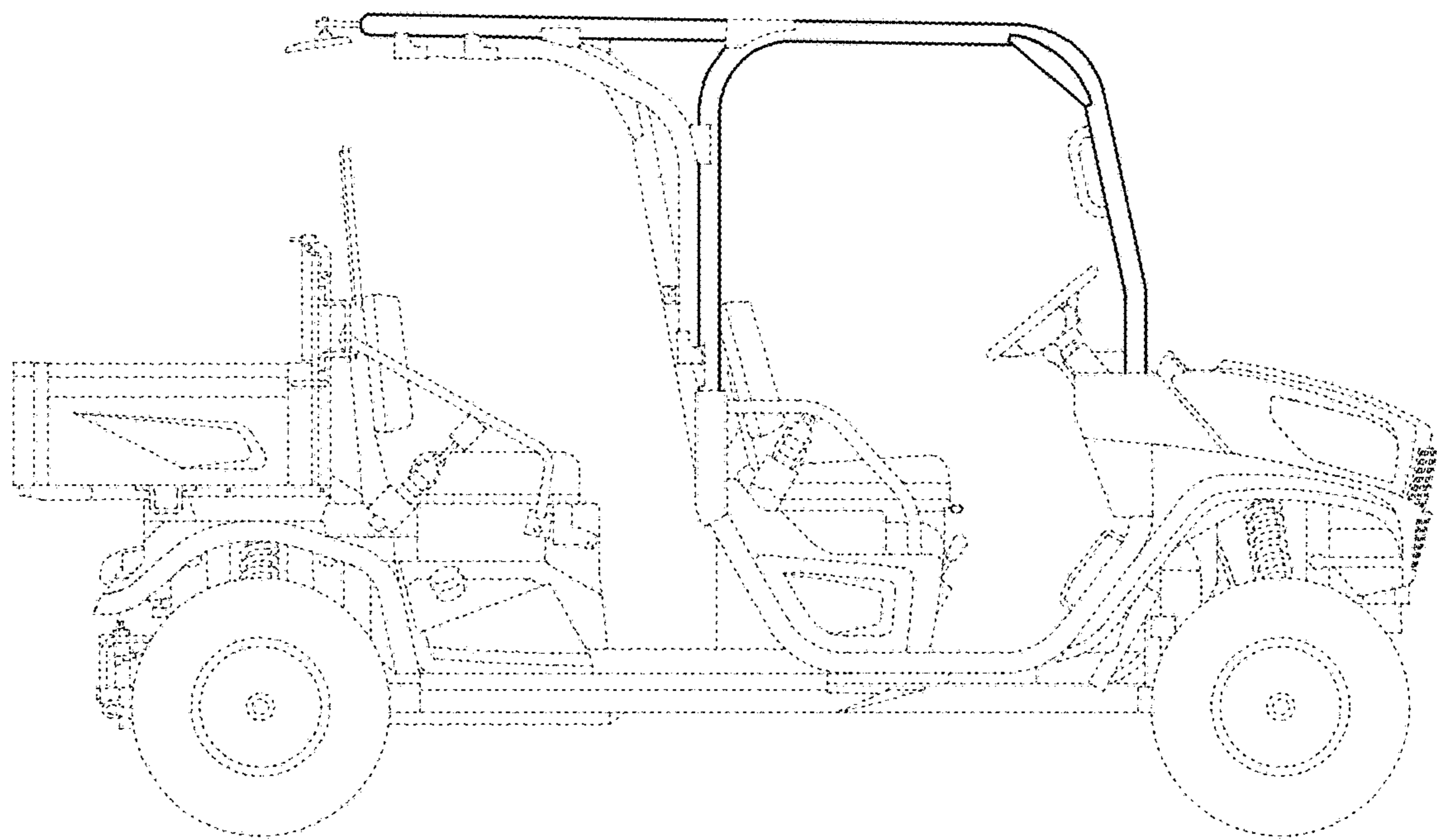


Fig.4

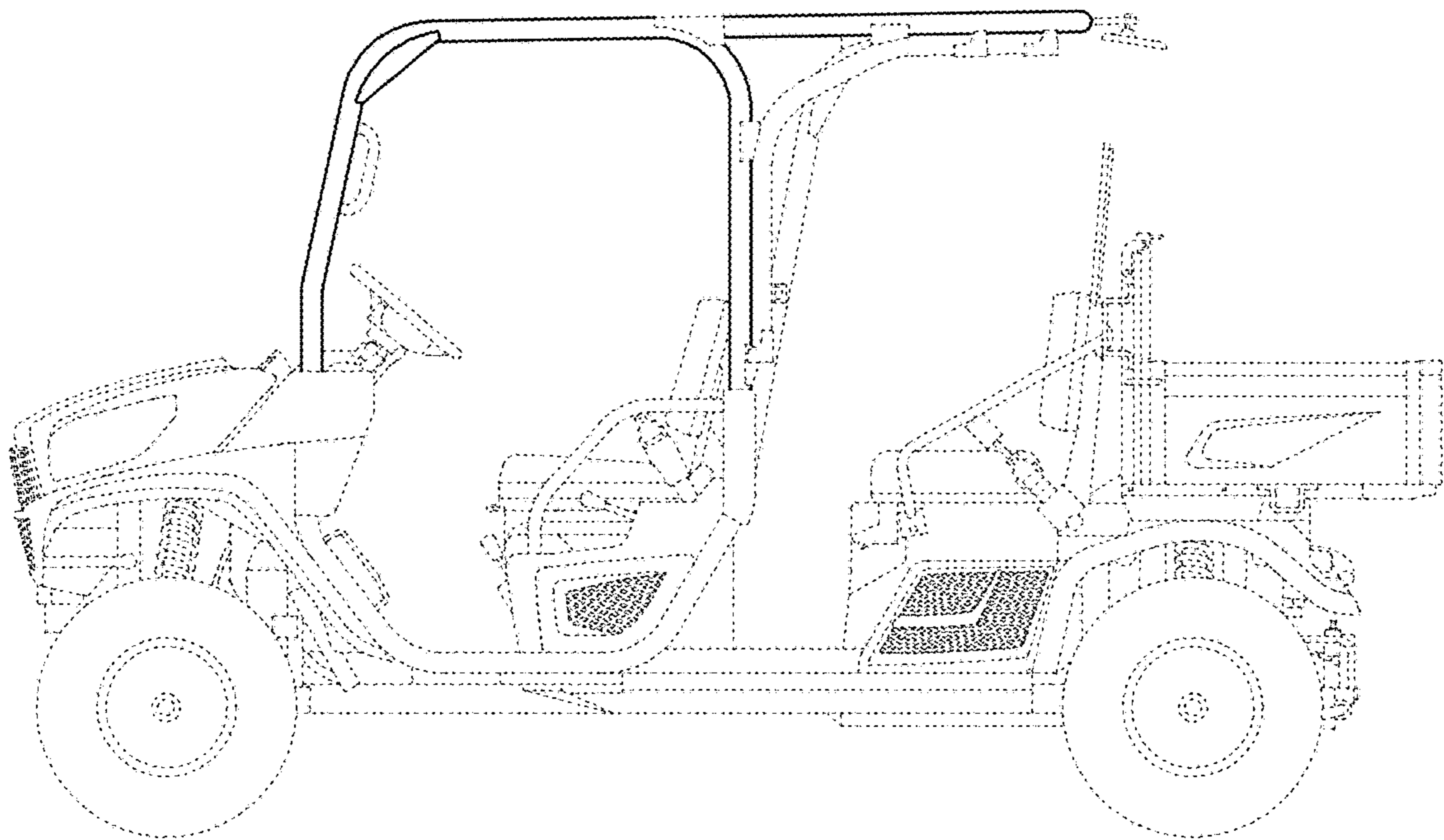


Fig.5

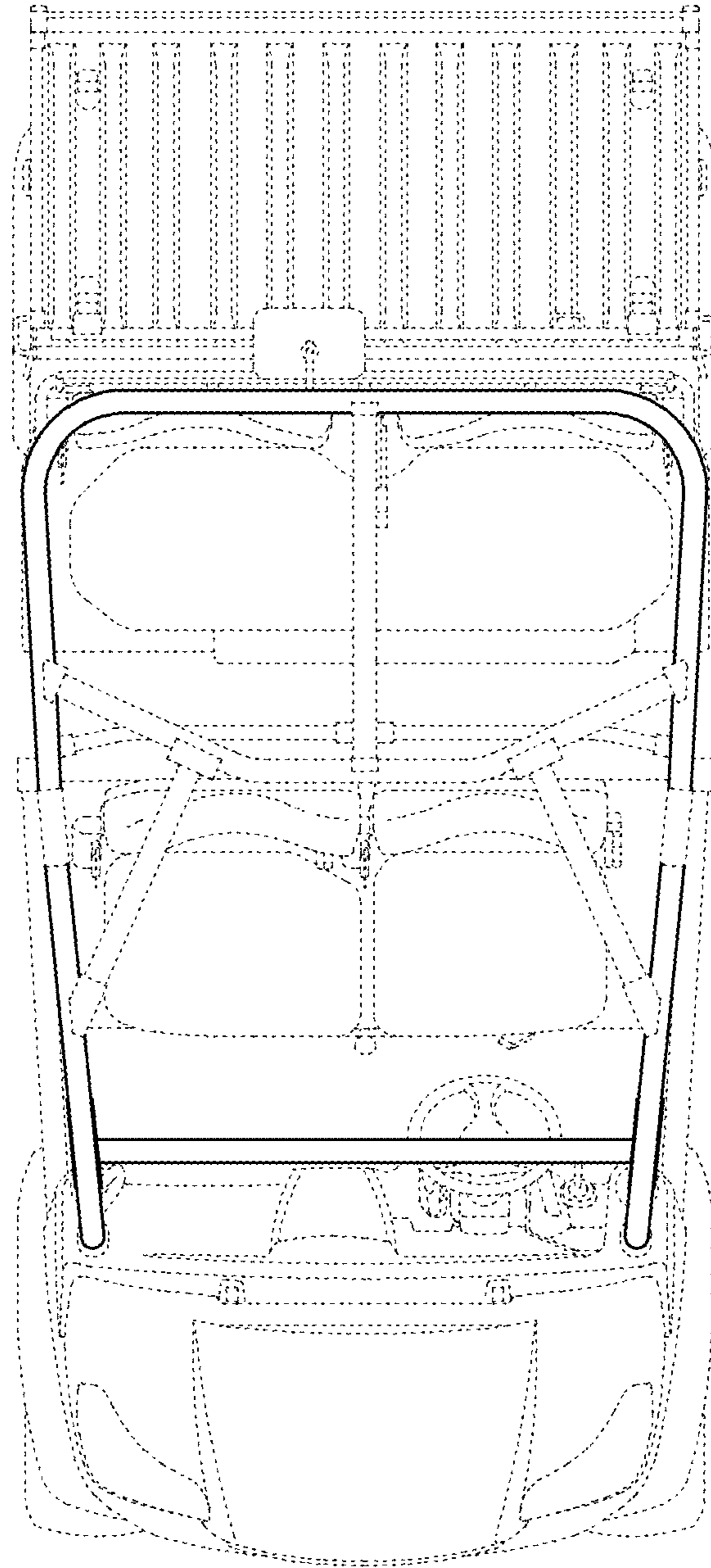


Fig.6

