



US00D778782S

(12) **United States Design Patent**  
**Chen et al.**

(10) **Patent No.:** **US D778,782 S**  
(45) **Date of Patent:** **\*\* Feb. 14, 2017**

(54) **HOVERBOARD**

(71) Applicant: **ZHEJIANG LUQI INTELLIGENT TECHNOLOGY CO., LTD.**, Taizhou, Zhejiang (CN)

(72) Inventors: **Jian-Hua Chen**, Taizhou (CN); **Fan Yang**, Taizhou (CN)

(73) Assignee: **ZHEJIANG LUQI INTELLIGENT TECHNOLOGY CO., LTD.**, Taizhou, Zhejiang (CN)

(\*\*) Term: **15 Years**

(21) Appl. No.: **29/549,525**

(22) Filed: **Dec. 22, 2015**

(51) **LOC (10) Cl.** ..... **12-14**

(52) **U.S. Cl.**  
USPC ..... **D12/1**

(58) **Field of Classification Search**  
USPC ..... D12/1, 5; D21/419, 421, 423, 426, 662, D21/760, 765, 766, 769, 771, 776, 803; 701/124; 280/87.042, 87.021, 87.041, 280/5.23, 5.39, 205, 209, 229, 266, 282, 280/851; 180/181, 5.26, 6.5, 7.1, 8.2, 180/65.8, 907, 218, 65, 13  
CPC ..... B62K 3/007; B62K 17/00; B62K 2202/00; B62D 51/001; B62D 51/02; B62D 61/00; A63C 17/0033; A63C 17/01; A63C 17/016; A63C 2203/40; A63C 17/12  
See application file for complete search history.

(56) **References Cited**

**U.S. PATENT DOCUMENTS**

8,738,278 B2 \* 5/2014 Chen ..... B62K 11/007  
180/218  
D737,723 S \* 9/2015 Ying ..... D12/1

D738,256 S \* 9/2015 Ying ..... D12/1  
D739,906 S \* 9/2015 Chen ..... D21/760  
9,376,155 B2 \* 6/2016 Ying ..... B62K 3/007  
9,403,573 B1 \* 8/2016 Mazzei ..... B62D 51/02  
2002/0008361 A1 \* 1/2002 Smith ..... A63C 5/031  
280/14.21  
2005/0242538 A1 \* 11/2005 Hiramatsu ..... A63C 17/004  
280/92  
2013/0238231 A1 \* 9/2013 Chen ..... B62K 11/007  
701/124  
2016/0129963 A1 \* 5/2016 Ying ..... B62K 3/007  
180/6.5  
2016/0325803 A1 \* 11/2016 Waxman ..... B62M 7/12

\* cited by examiner

*Primary Examiner* — T. Chase Nelson

*Assistant Examiner* — Ania Aman

(74) *Attorney, Agent, or Firm* — Locke Lord LLP; Tim Tingkang Xia, Esq.

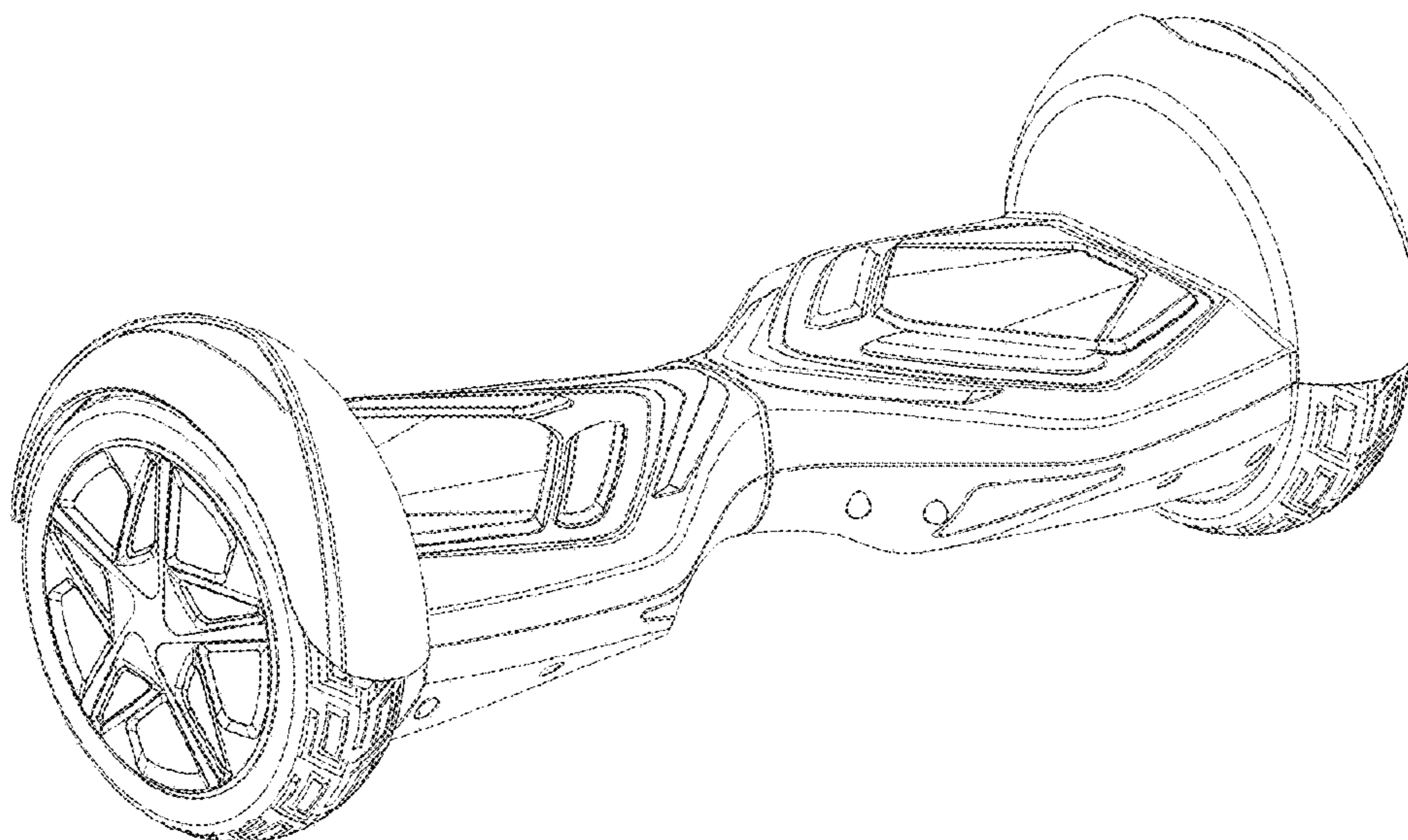
(57) **CLAIM**

The ornamental design for a hoverboard, as shown and described.

**DESCRIPTION**

FIG. 1 is a perspective view of a hoverboard according to our new design;  
FIG. 2 is a front elevation view thereof;  
FIG. 3 is a rear elevation view thereof;  
FIG. 4 is a right side elevation view thereof;  
FIG. 5 is a left side elevation view thereof;  
FIG. 6 is a top plan view thereof; and,  
FIG. 7 is a bottom plan view thereof.

**1 Claim, 7 Drawing Sheets**



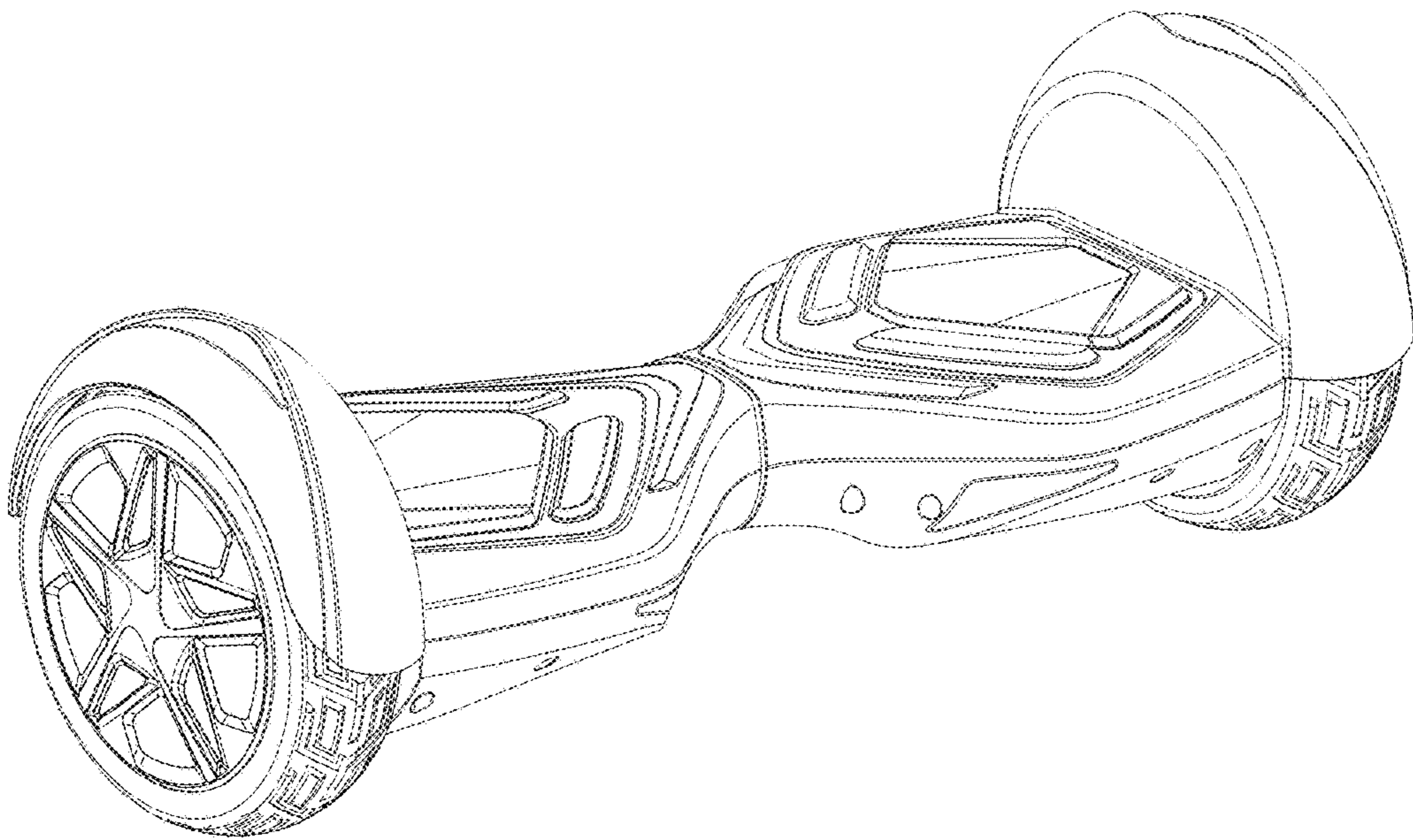


FIG. 1

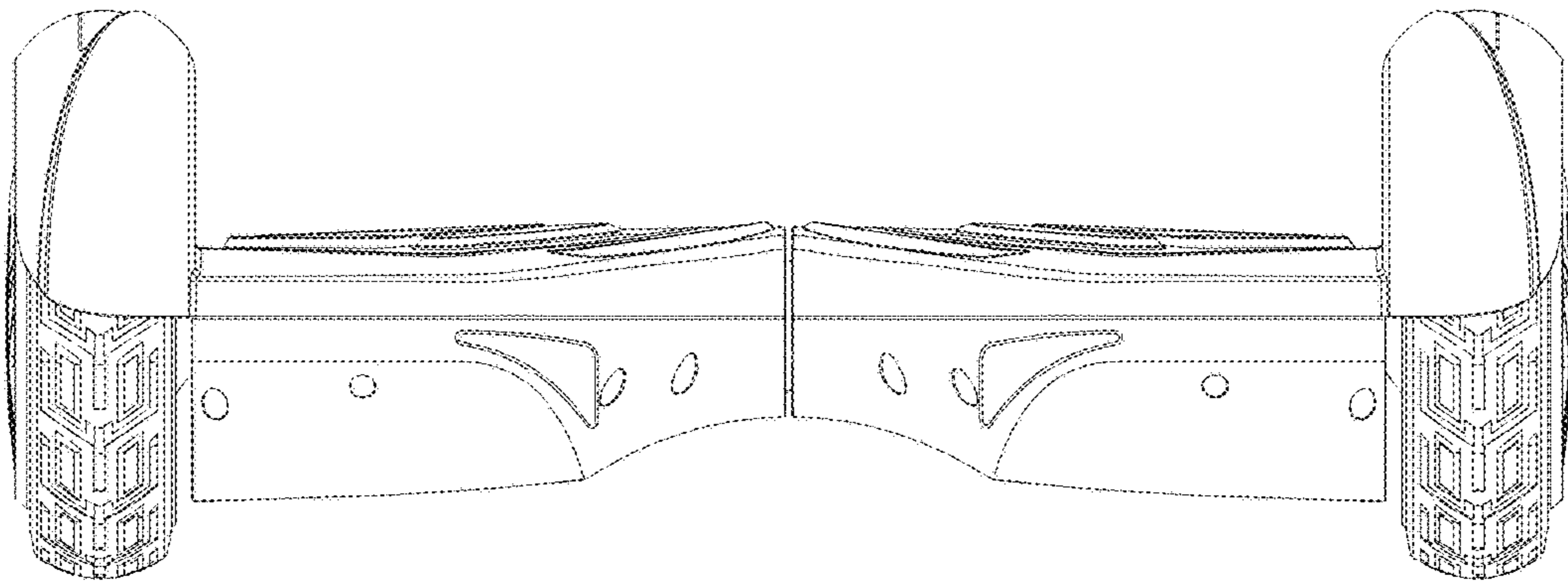


FIG. 2

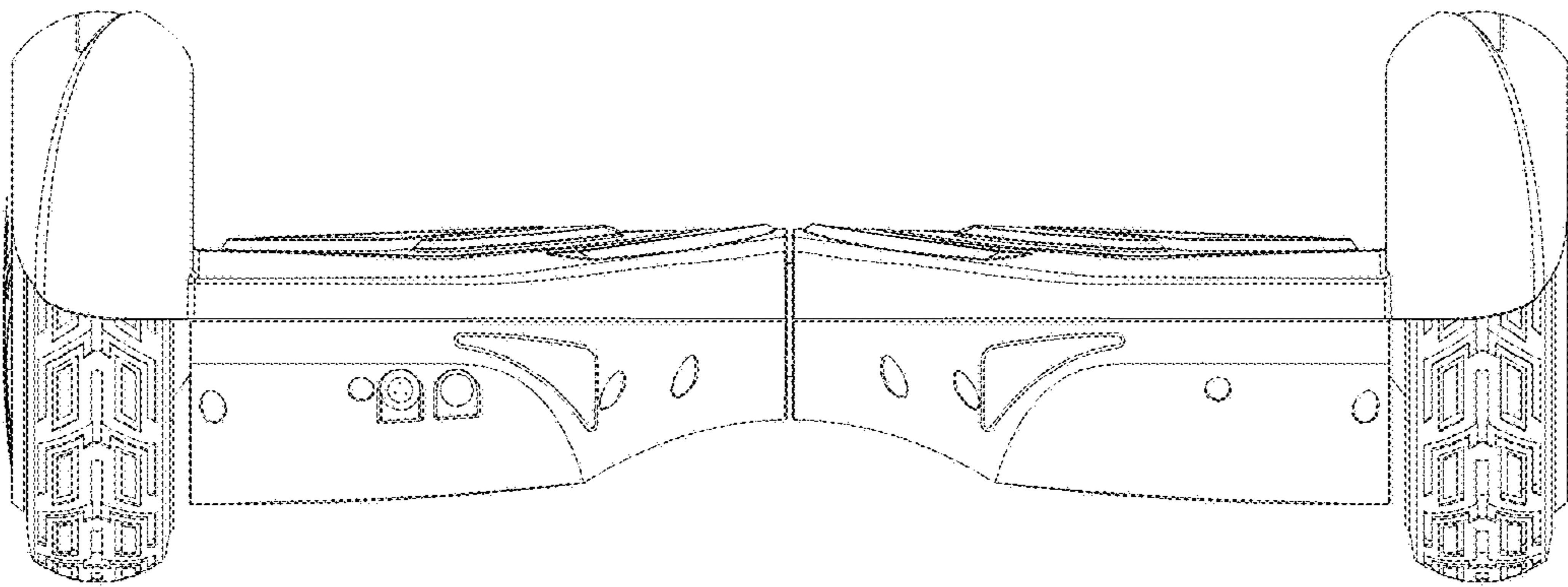


FIG. 3

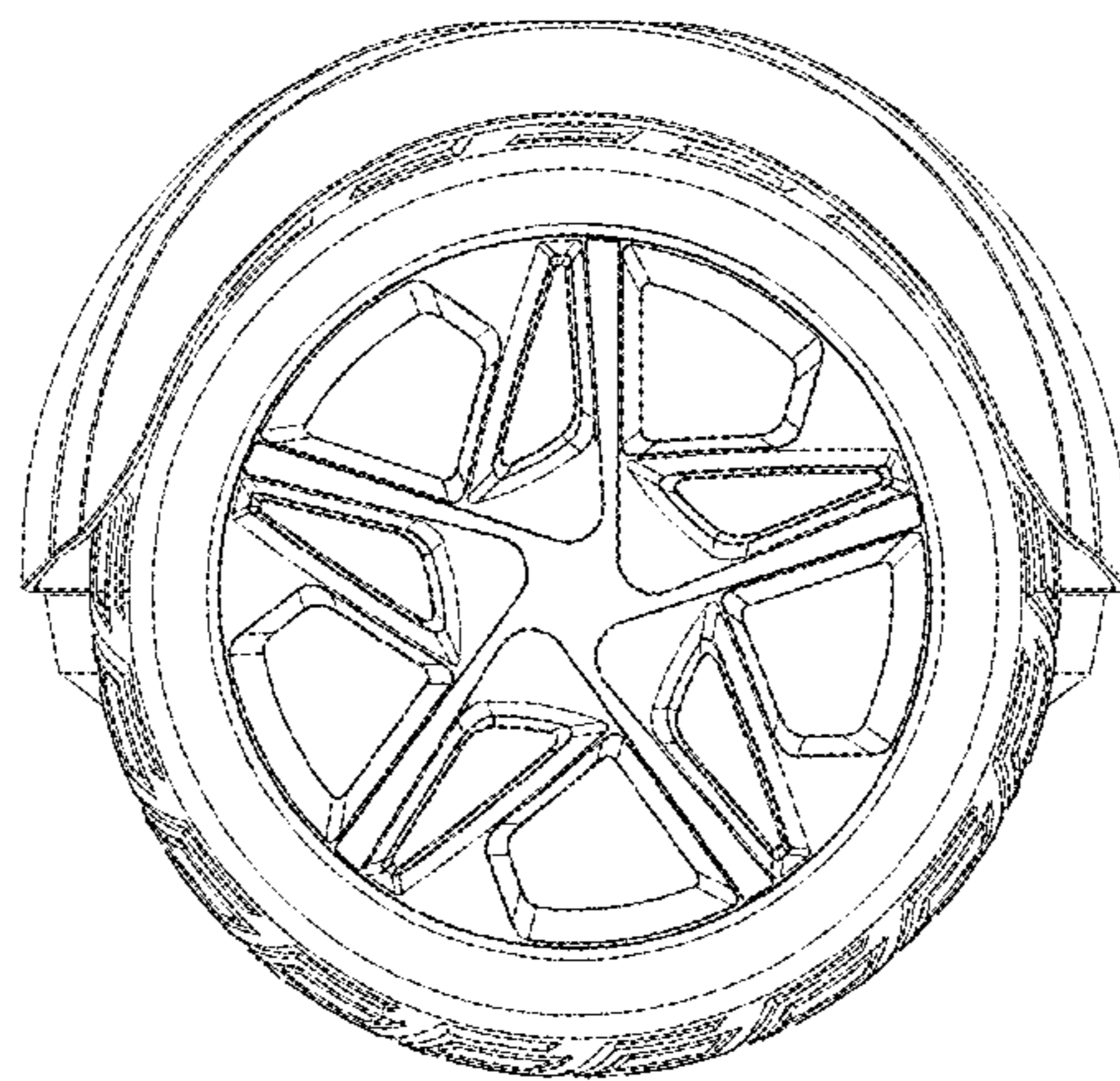


FIG. 4

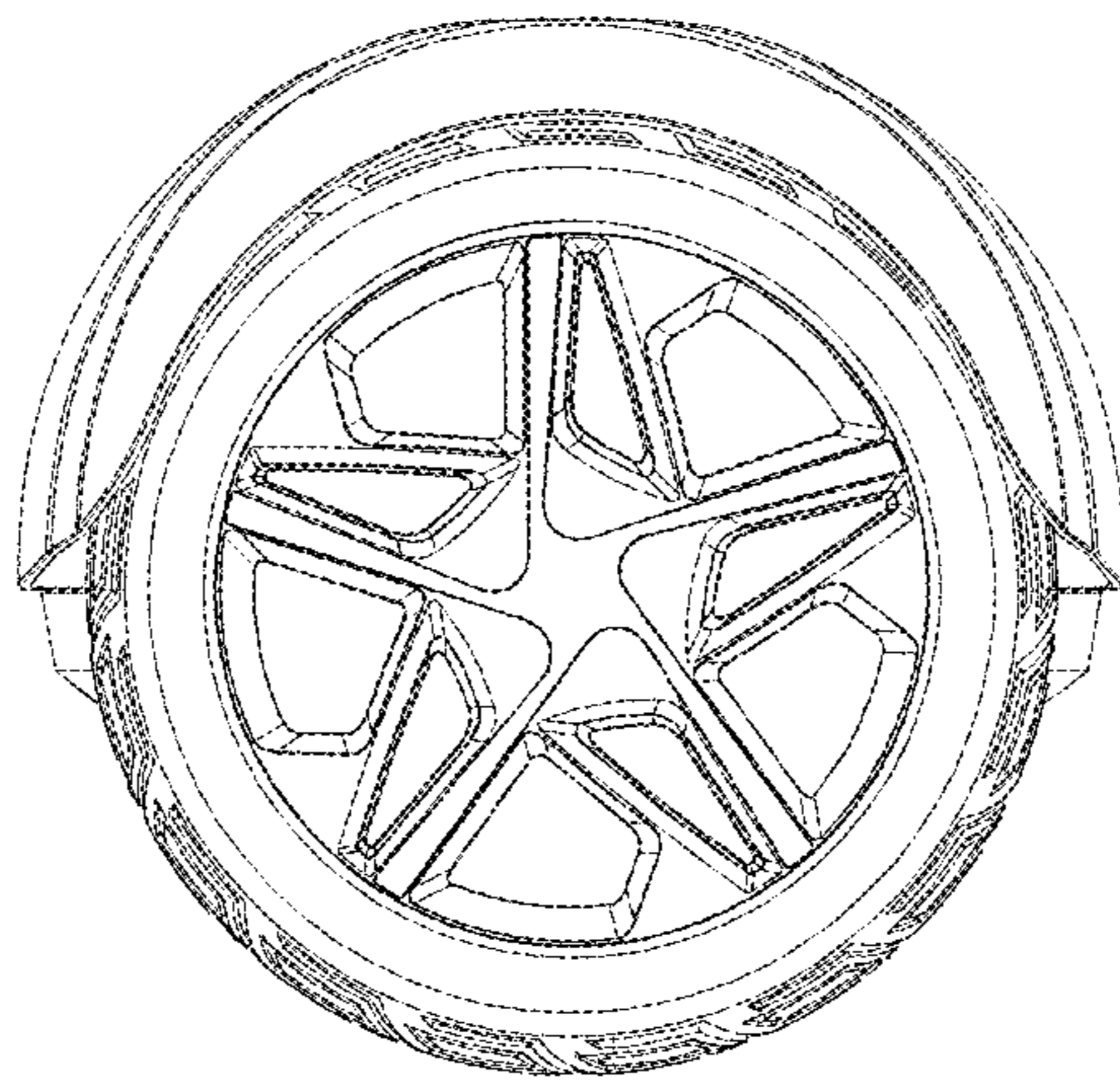


FIG. 5

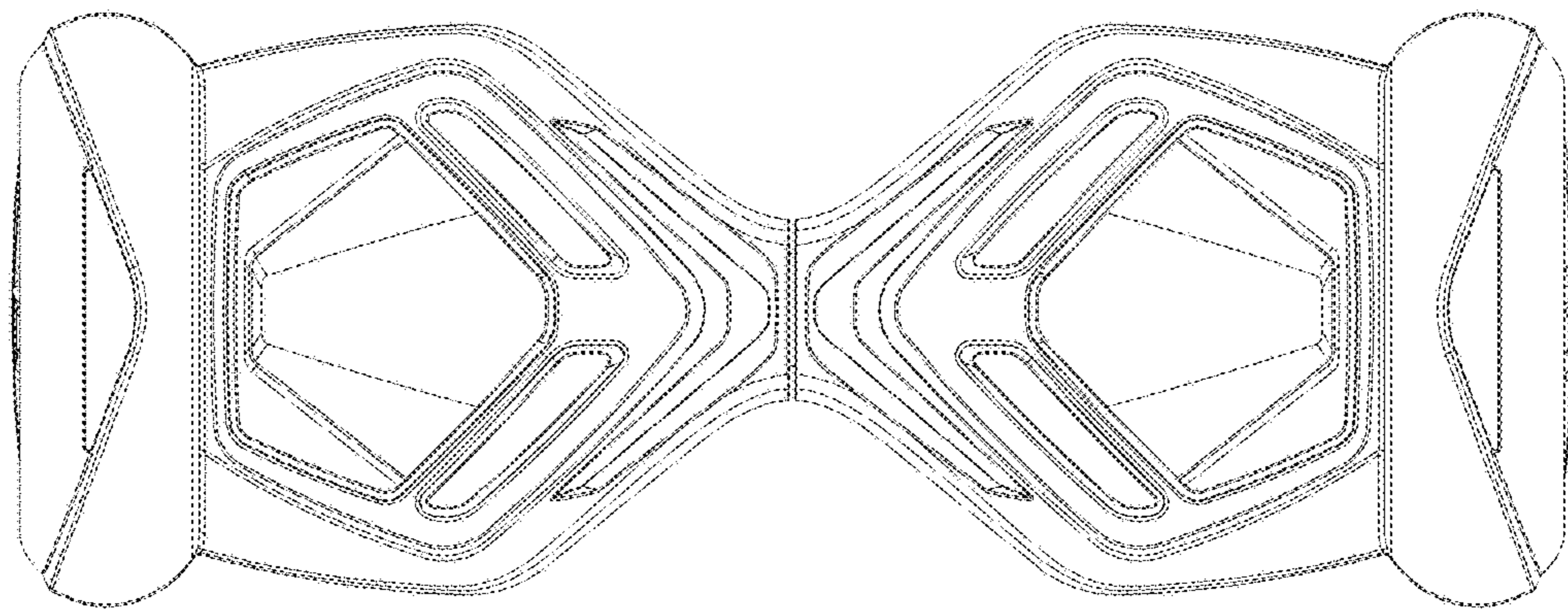


FIG. 6

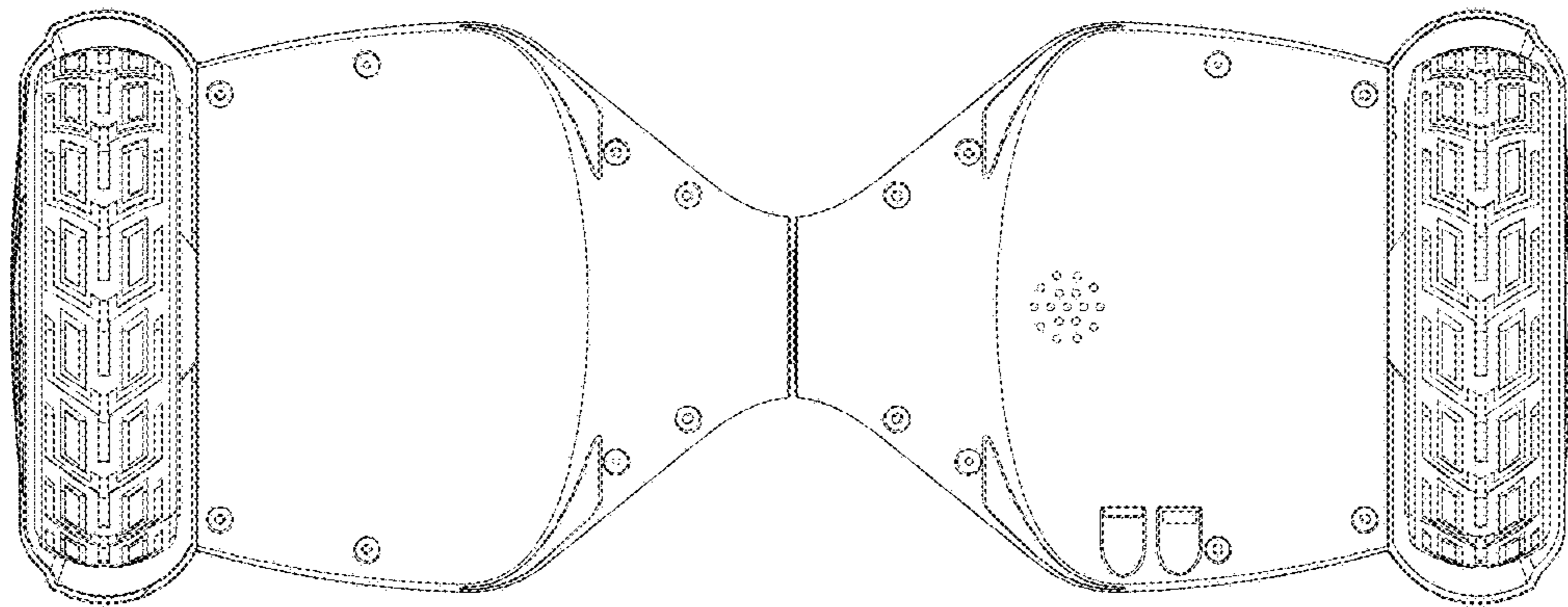


FIG. 7