



US00D778781S

(12) **United States Design Patent** (10) **Patent No.:** **US D778,781 S**  
**Wang et al.** (45) **Date of Patent:** **\*\* Feb. 14, 2017**

(54) **SLIDER FOR A SLIDE FASTENER**

(71) Applicant: **YKK Corporation**, Tokyo (JP)

(72) Inventors: **Mingsi Wang**, Toyama (JP); **Yuki Chayahara**, Toyama (JP); **Keiichi Keyaki**, Toyama (JP); **Takanori Ozawa**, Toyama (JP)

(73) Assignee: **YKK Corporation** (JP)

(\*\*) Term: **15 Years**

(21) Appl. No.: **29/558,195**

(22) Filed: **Mar. 15, 2016**

(30) **Foreign Application Priority Data**

Sep. 16, 2015 (JP) ..... 2015-020594

(51) **LOC (10) Cl.** ..... **02-07**

(52) **U.S. Cl.**  
USPC ..... **D11/221**

(58) **Field of Classification Search**

USPC ..... D11/200-201, 221; 24/381-383,  
24/385-387, 414-417, 421-422, 419,  
24/429, 431; 2/265; D2/641; 294/2, 3.6;  
223/111  
CPC ..... A44B 19/00; A44B 19/02; A44B 19/04;  
A44B 19/10; A44B 19/24; A44B 19/26;  
A44B 19/30; A44B 19/06

See application file for complete search history.

(56) **References Cited**

U.S. PATENT DOCUMENTS

4,619,023 A *	10/1986	Tsubokawa .....	A44B 19/40 24/381
D291,671 S *	9/1987	Keyaki .....	D11/221
D342,466 S *	12/1993	Tominaga .....	D11/221
D643,776 S *	8/2011	Keyaki .....	D11/221
8,453,302 B2 *	6/2013	Keyaki .....	A44B 19/262 24/419

\* cited by examiner

*Primary Examiner* — Ralf Seifert

(74) *Attorney, Agent, or Firm* — Kilpatrick Townsend & Stockton LLP

(57) **CLAIM**

The ornamental design for a slider for a slide fastener, as shown and described.

**DESCRIPTION**

FIG. 1 is a first perspective view of the front, bottom and right side of a slider for a slide fastener, showing our new design;

FIG. 2 is a front view thereof;

FIG. 3 is a rear view thereof;

FIG. 4 is a right side view thereof, the left side view being a mirror image thereof;

FIG. 5 is a top plan view thereof; and,

FIG. 6 is a bottom view thereof.

The broken lines showing the pull tab are for the purpose of illustrating environmental structure and form no part of the claimed design.

**1 Claim, 5 Drawing Sheets**

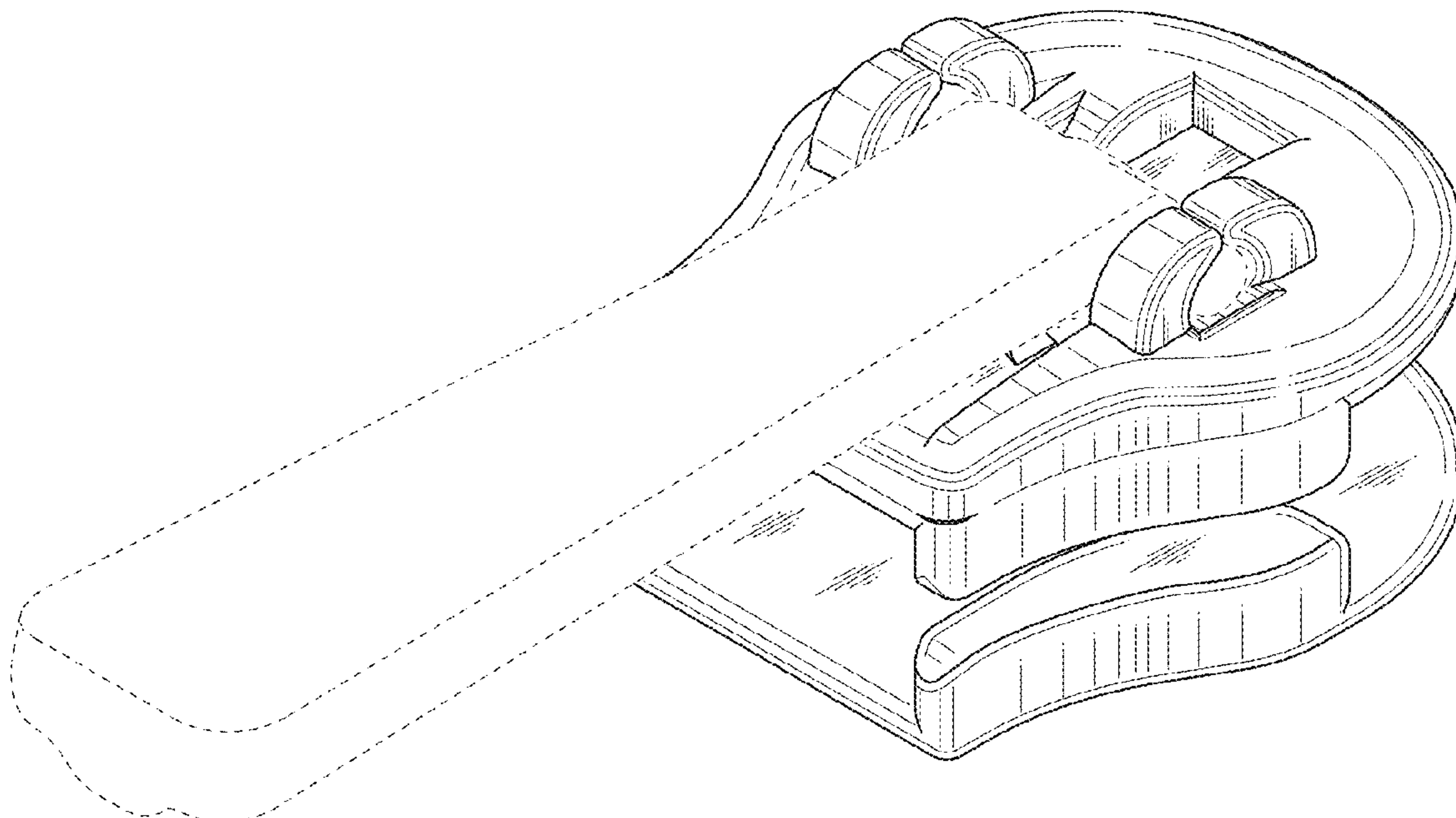


Fig. 1

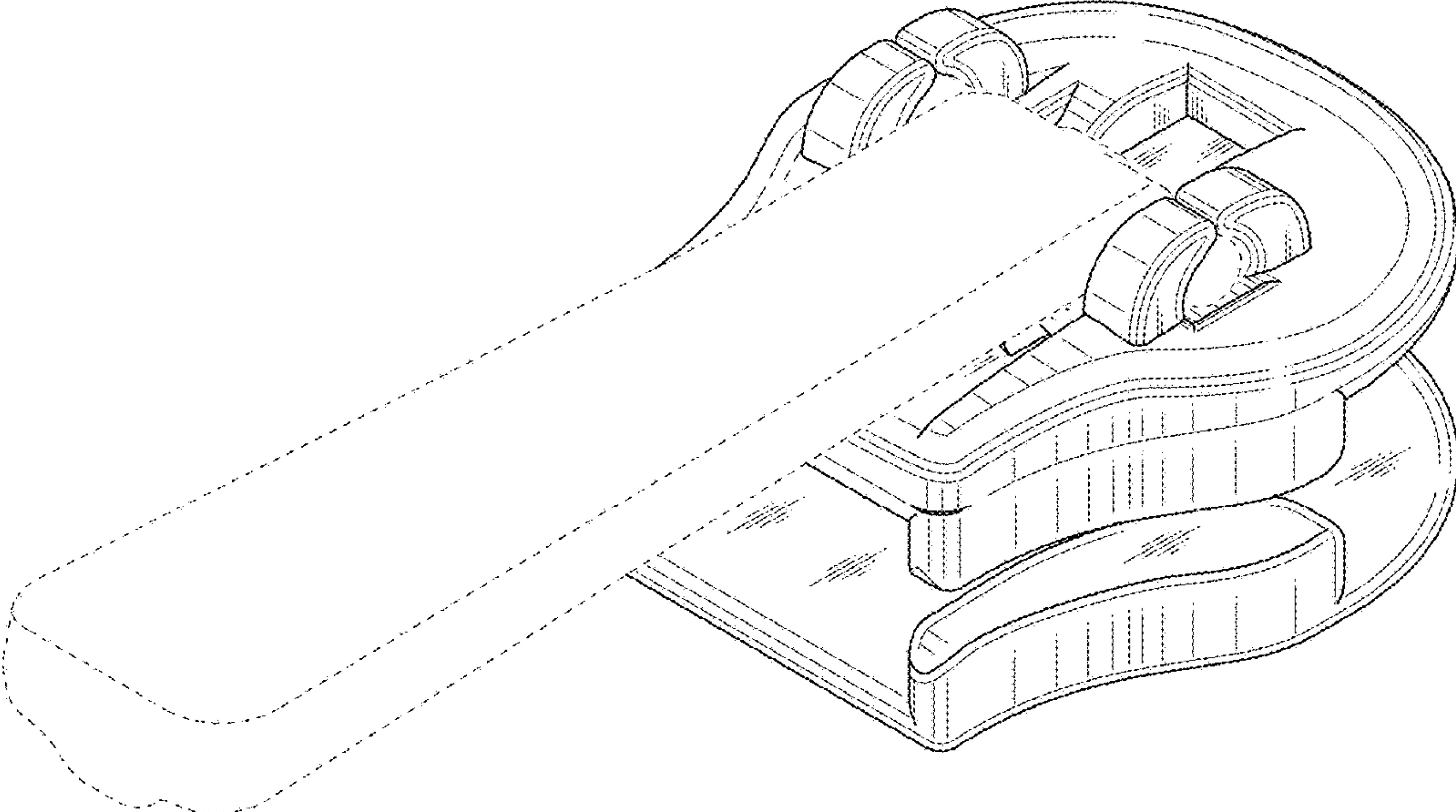


Fig. 2

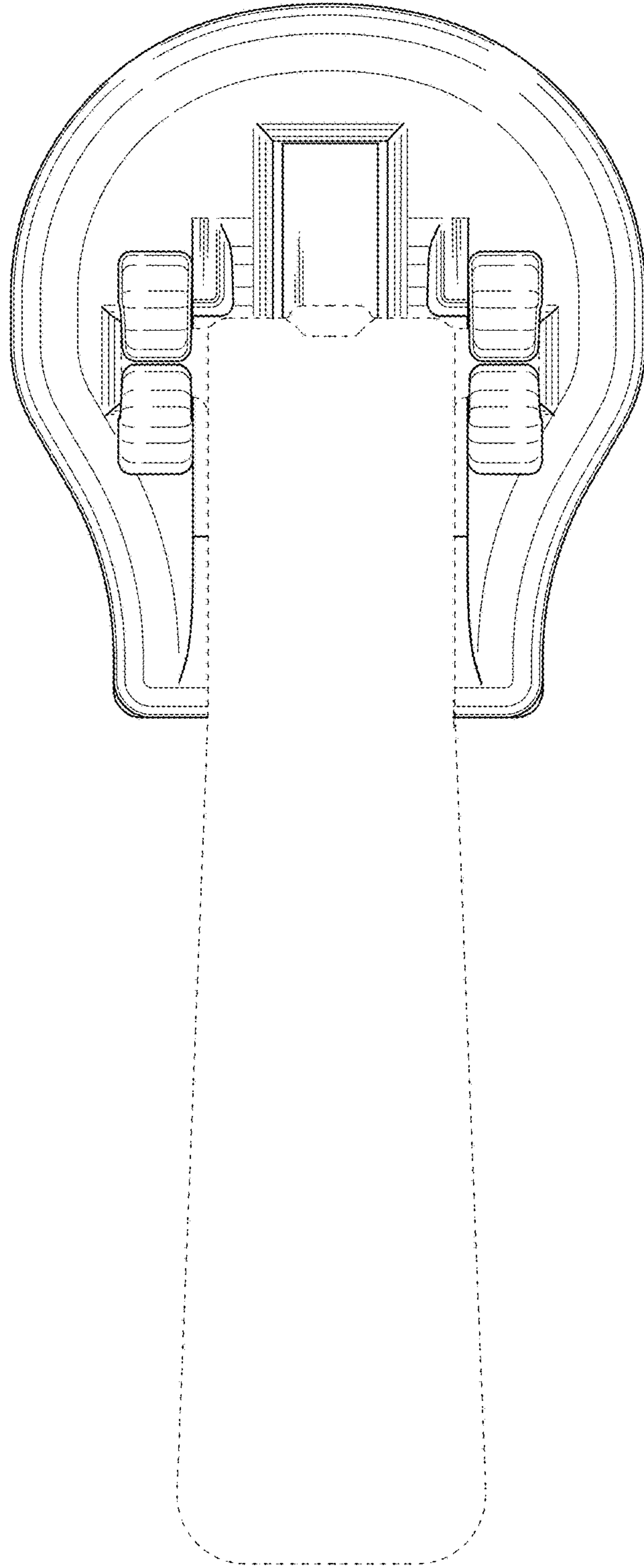


Fig. 3

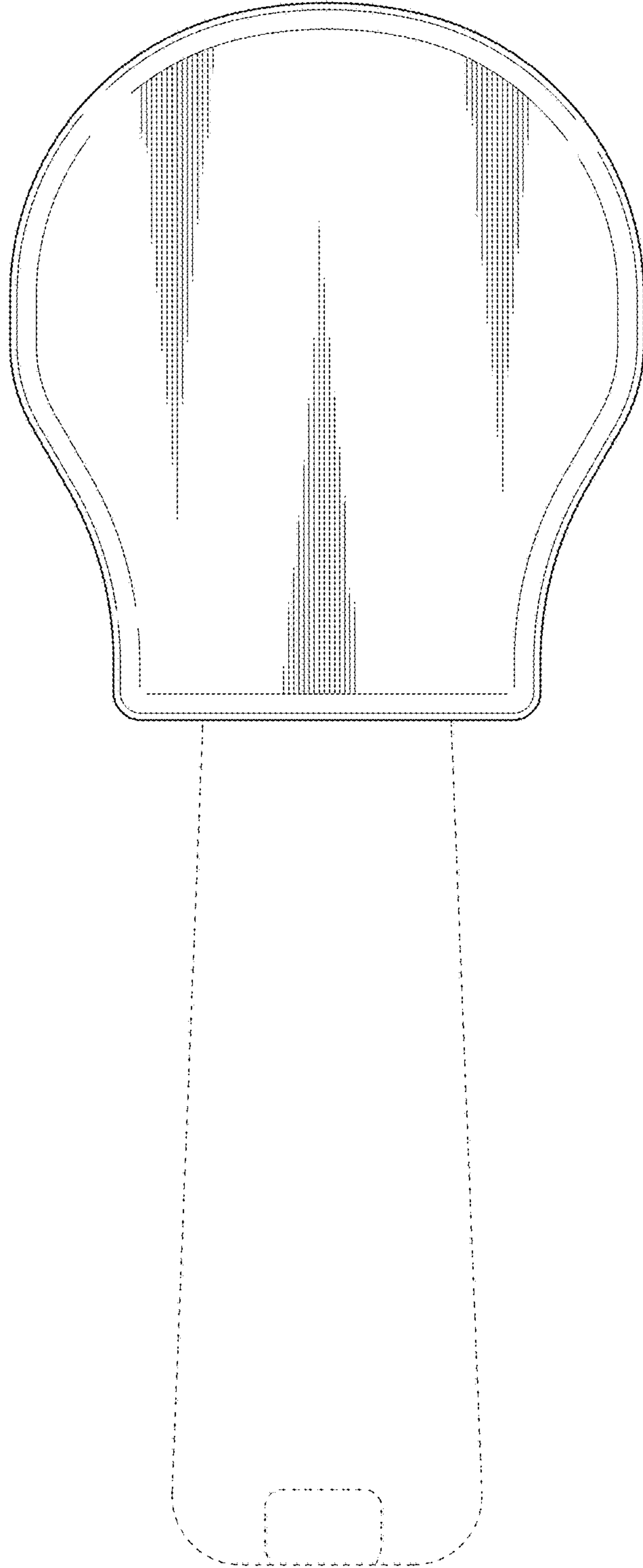


Fig. 4

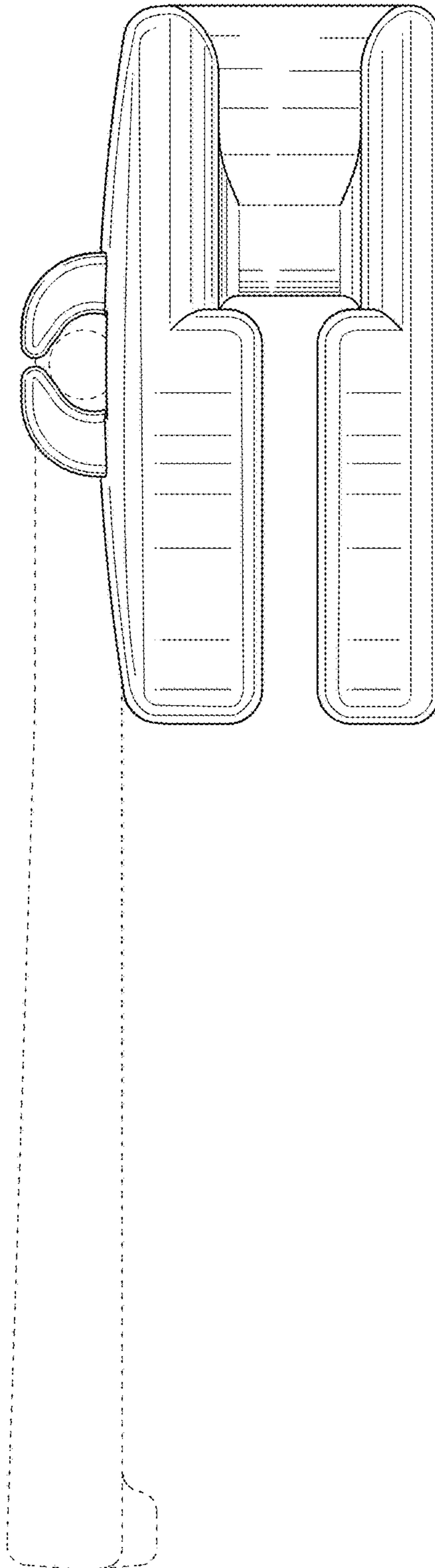




Fig. 5

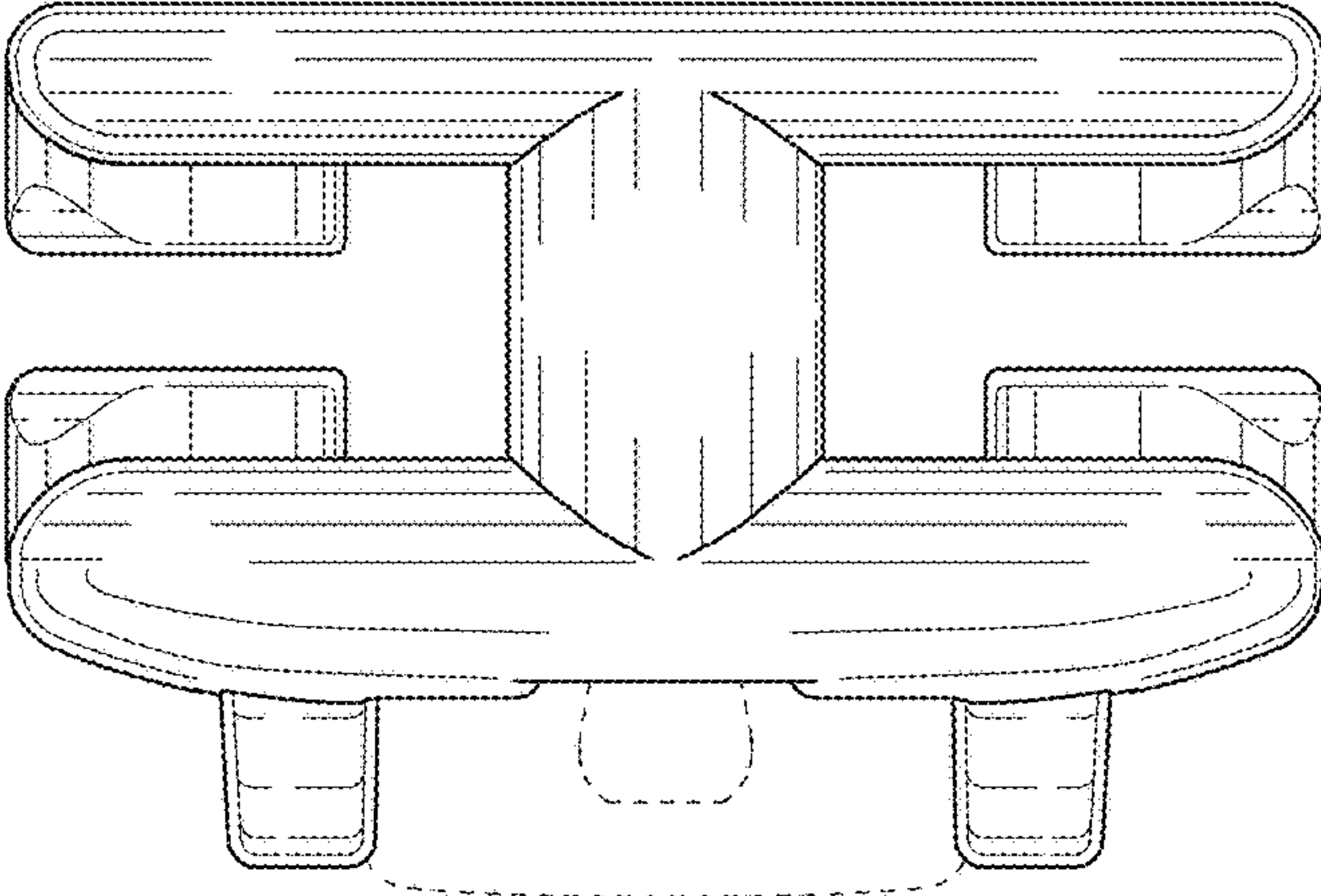


Fig. 6

