



US00D778780S

(12) **United States Design Patent** (10) **Patent No.:** **US D778,780 S**
Wang et al. (45) **Date of Patent:** **** Feb. 14, 2017**

(54) **SLIDER FOR SLIDE FASTENER**
(71) Applicant: **YKK Corporation**, Tokyo (JP)
(72) Inventors: **Mingsi Wang**, Toyama (JP); **Yuki Chayahara**, Toyama (JP); **Keiichi Keyaki**, Toyama (JP); **Takanori Ozawa**, Toyama (JP)

4,619,023 A * 10/1986 Tsubokawa A44B 19/40
24/381
D291,671 S * 9/1987 Keyaki D11/221
D342,466 S * 12/1993 Tominaga D11/221
D643,776 S * 8/2011 Keyaki D11/221
8,453,302 B2 * 6/2013 Keyaki A44B 19/262
24/419

* cited by examiner

(73) Assignee: **YKK Corporation** (JP)
(**) Term: **15 Years**

Primary Examiner — Ralf Seifert
(74) *Attorney, Agent, or Firm* — Kilpatrick Townsend & Stockton LLP

(21) Appl. No.: **29/558,193**

(22) Filed: **Mar. 15, 2016**

(57) **CLAIM**

(30) **Foreign Application Priority Data**

Sep. 16, 2015 (JP) 2015-020595

The ornamental design for a slider for a slide fastener, as shown and described.

(51) **LOC (10) Cl.** **02-07**

(52) **U.S. Cl.**
USPC **D11/221**

DESCRIPTION

(58) **Field of Classification Search**
USPC D11/200–201, 221; 24/381–383,
24/385–387, 414–417, 421–422, 419,
24/429, 431; 2/265; D2/641; 294/2, 3.6;
294/223/111
CPC A44B 19/00; A44B 19/02; A44B 19/04;
A44B 19/10; A44B 19/24; A44B 19/26;
A44B 19/30; A44B 19/06
See application file for complete search history.

FIG. 1 is a first perspective view of the front, bottom and right side of a slider for a slide fastener, showing our new design;
FIG. 2 is a front view thereof;
FIG. 3 is a rear view thereof;
FIG. 4 is a right side view thereof, the left side view being a mirror image thereof;
FIG. 5 is a top plan view thereof; and,
FIG. 6 is a bottom view thereof.
The broken lines showing the pull tab are for the purpose of illustrating environmental structure and form no part of the claimed design.

(56) **References Cited**

U.S. PATENT DOCUMENTS

2,261,138 A * 11/1941 Bullerjahn B31B 1/74
118/314

1 Claim, 5 Drawing Sheets

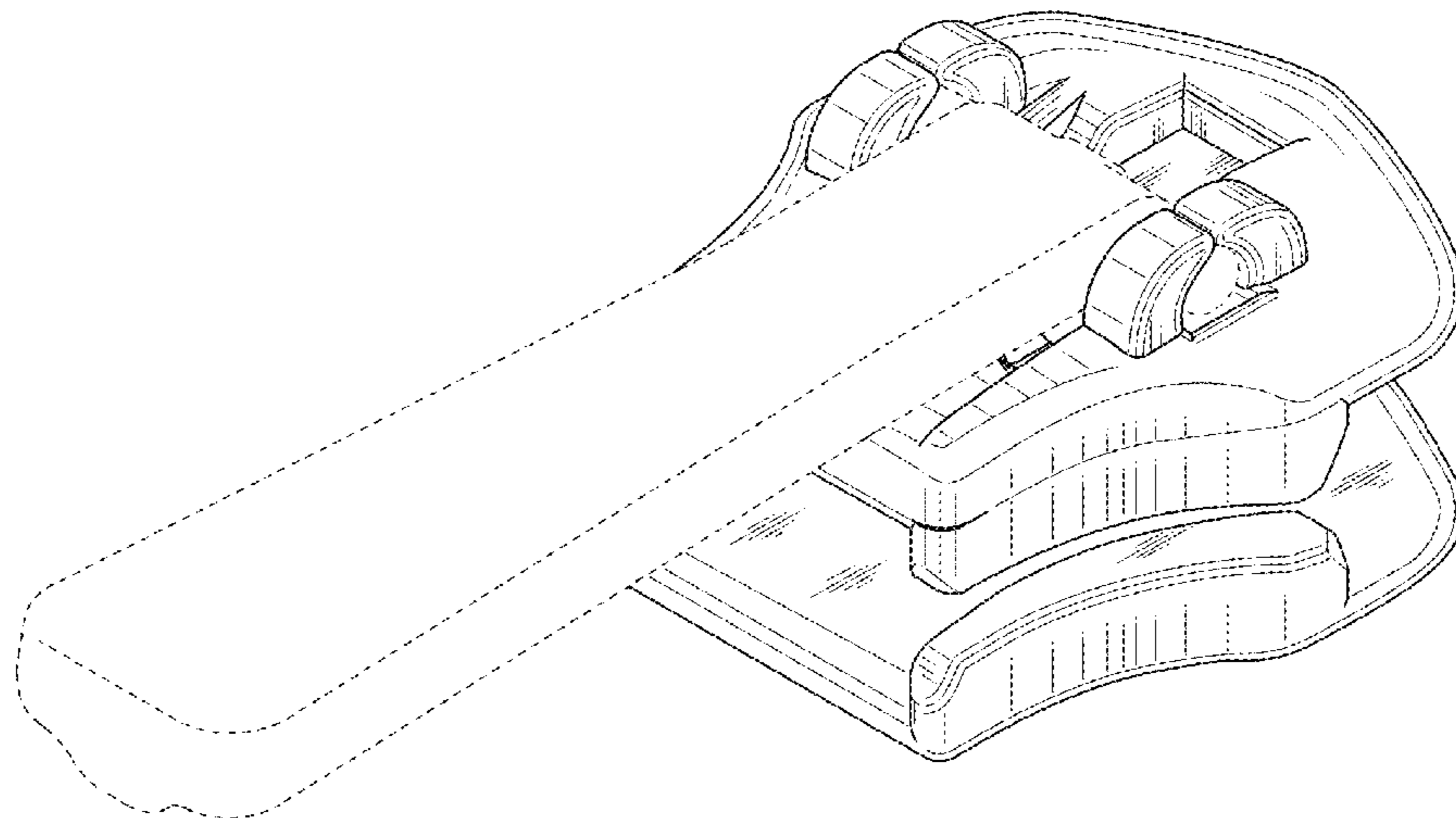


Fig. 1

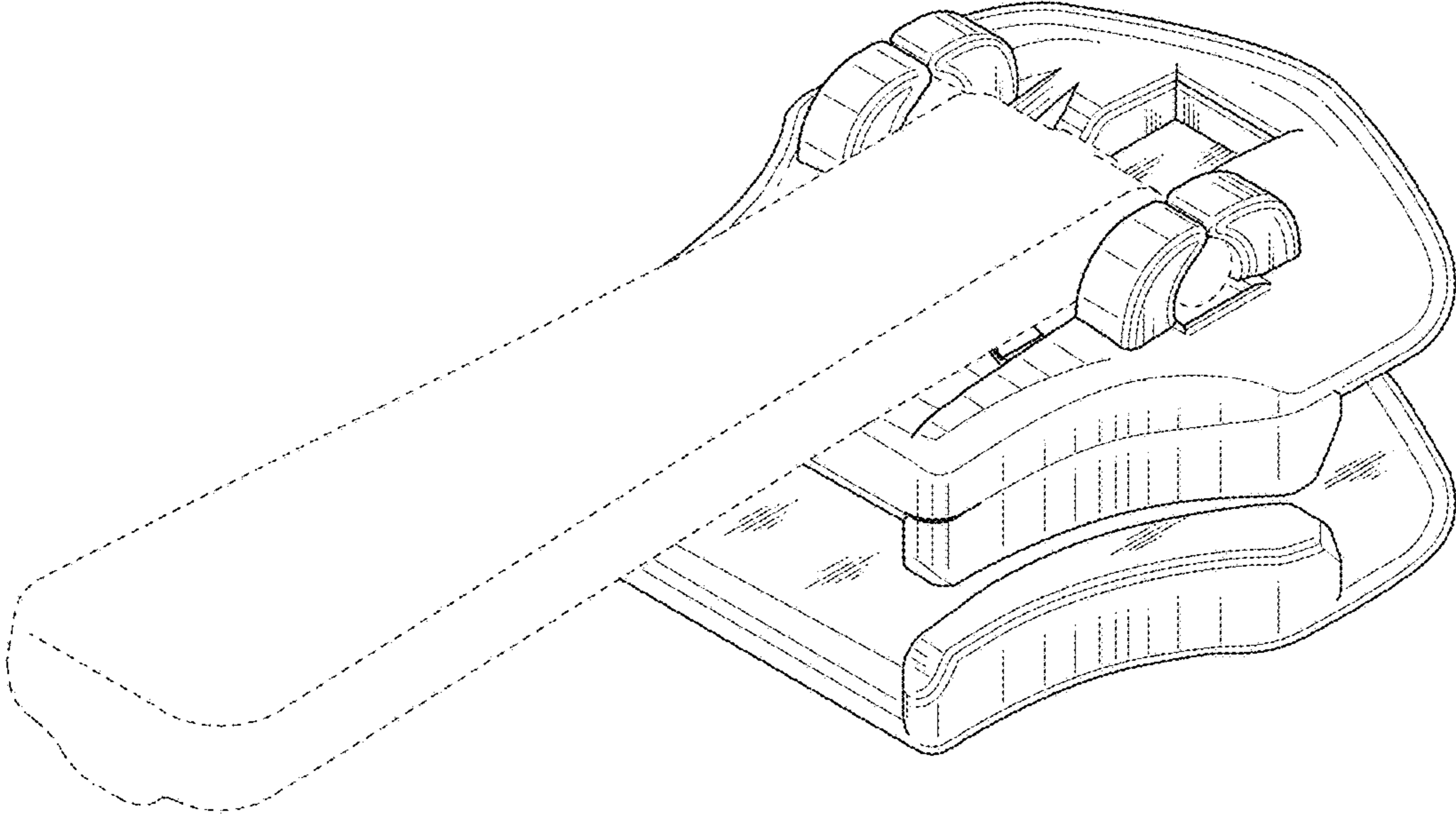


Fig. 2

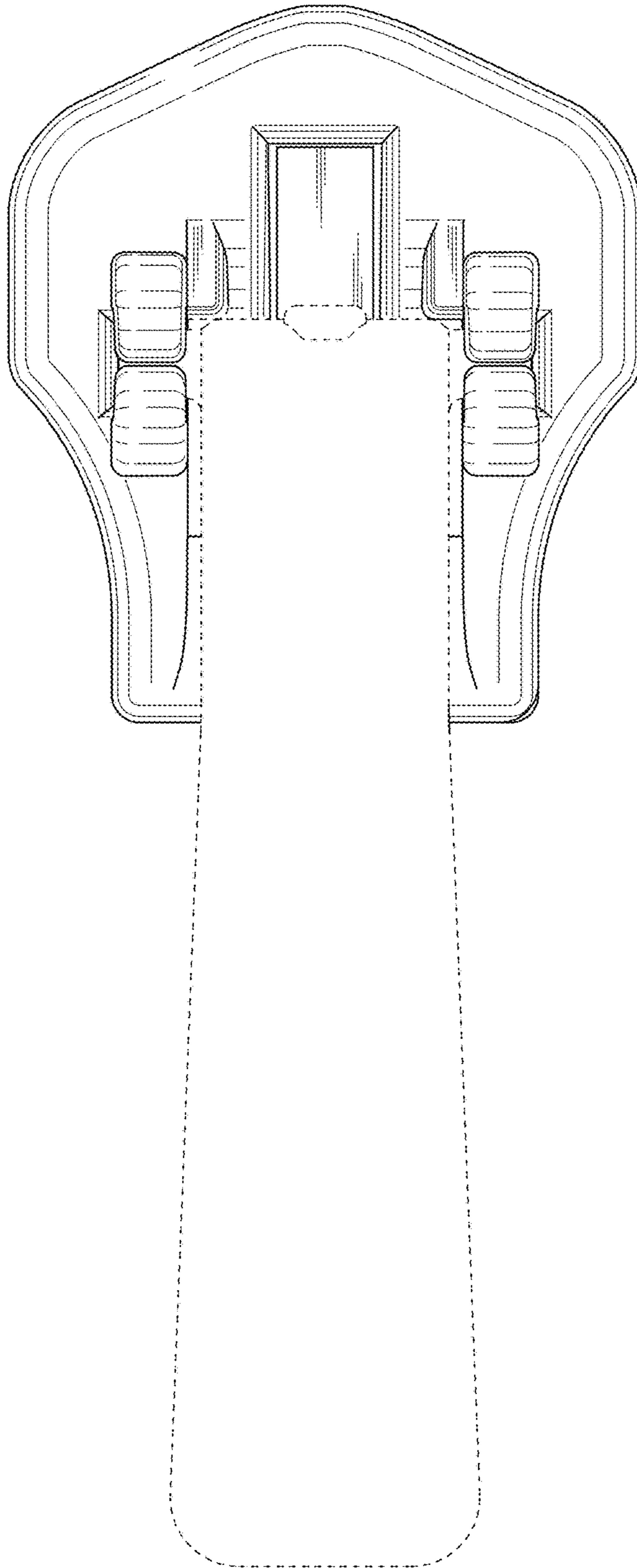


Fig. 3

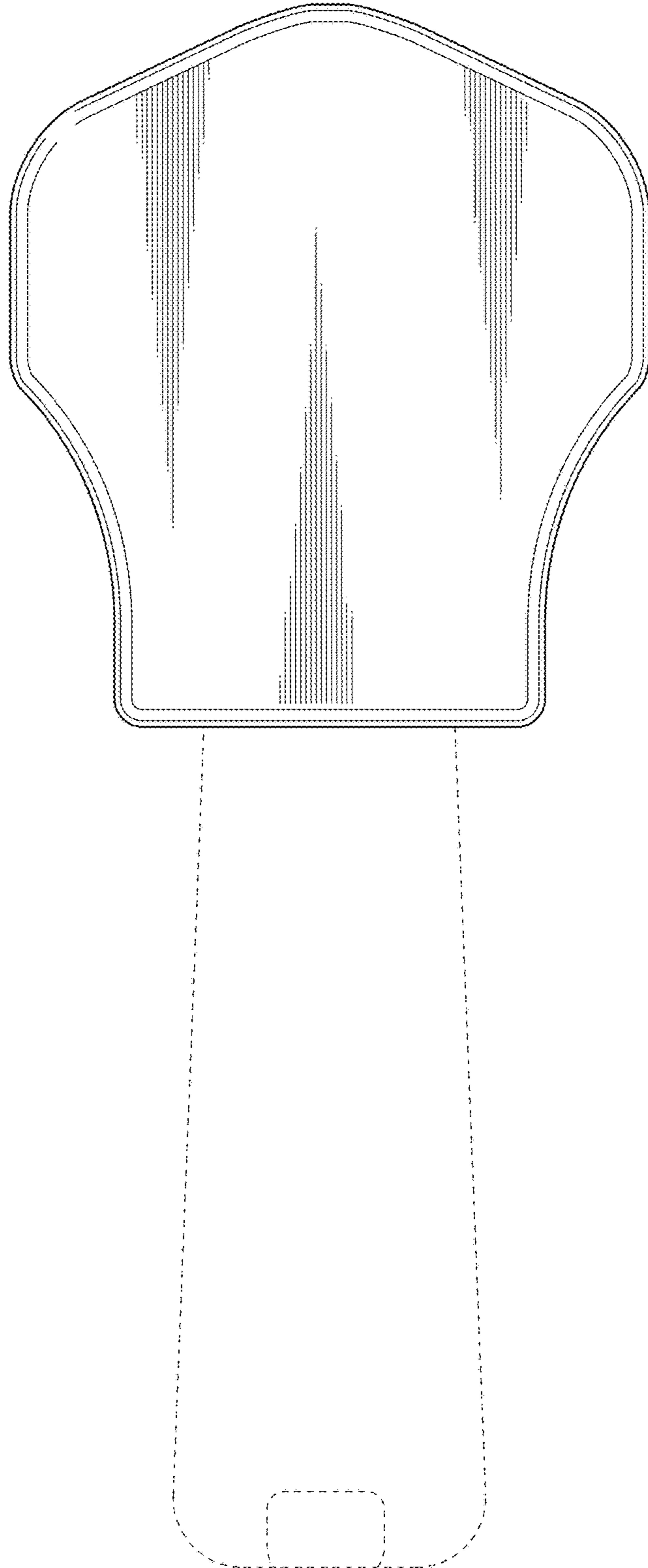


Fig. 4

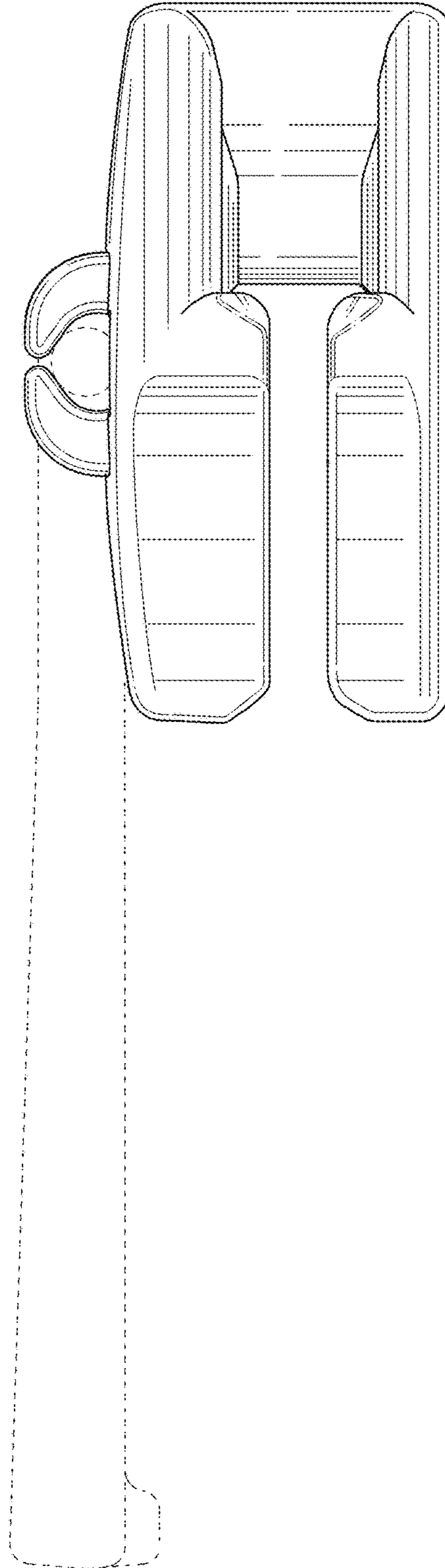


Fig. 5

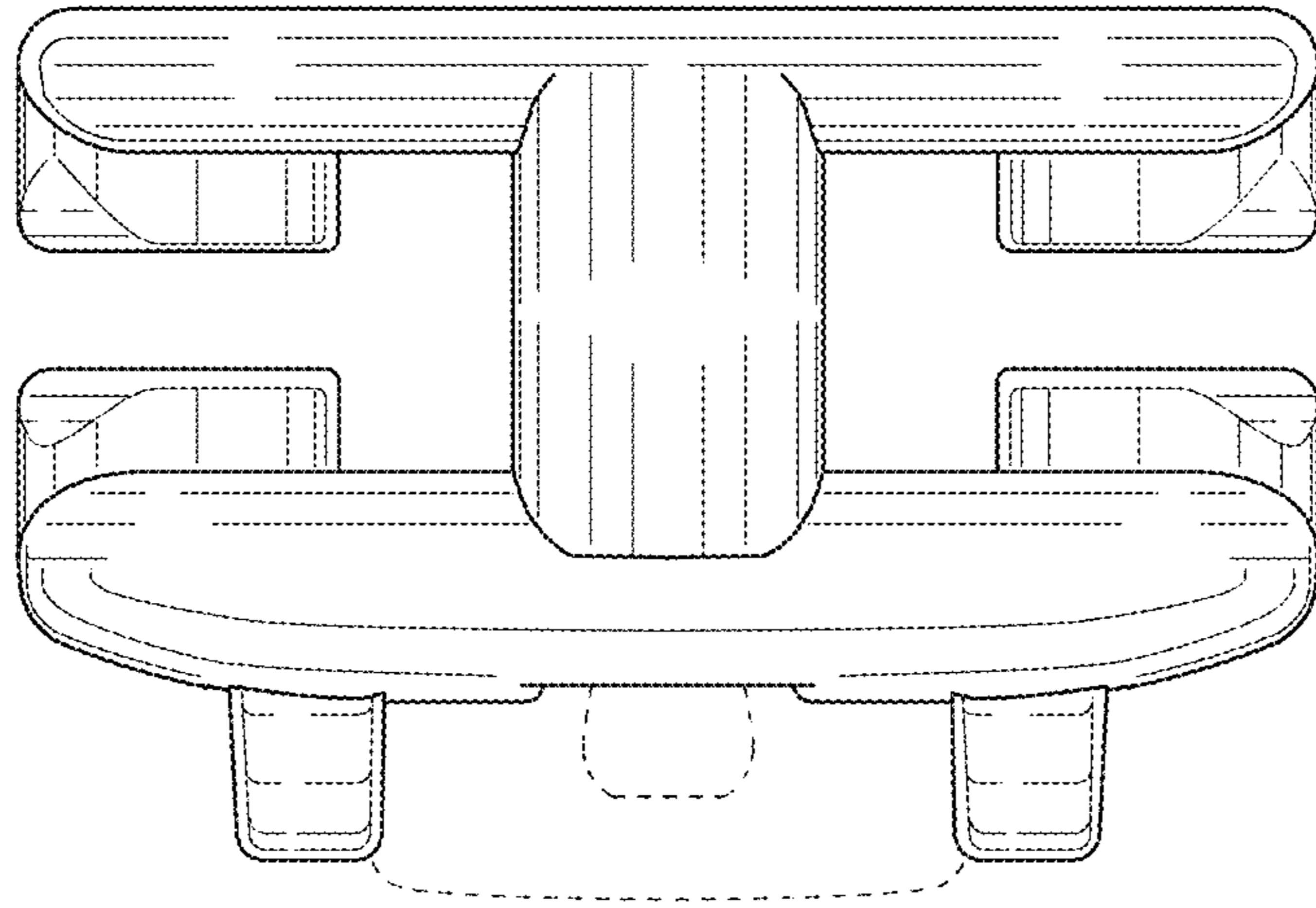


Fig. 6

