



US00D778779S

(12) **United States Design Patent** (10) **Patent No.:** **US D778,779 S**  
**Fujii** (45) **Date of Patent:** **\*\* Feb. 14, 2017**

(54) **BUCKLE**  
(71) Applicant: **YKK Corporation**, Tokyo (JP)  
(72) Inventor: **Takaaki Fujii**, Toyama (JP)  
(73) Assignee: **YKK Corporation** (JP)  
(\*\*) Term: **15 Years**

D647,818 S \* 11/2011 Kaneko ..... D11/216  
D680,901 S \* 4/2013 Kolasa ..... D11/216  
D684,089 S \* 6/2013 Nanbu ..... D11/216  
D686,526 S \* 7/2013 Kawaguchi ..... D11/216  
D686,527 S \* 7/2013 Kawaguchi ..... D11/216  
D688,158 S \* 8/2013 Kao ..... D11/216  
D701,139 S \* 3/2014 Kadoishi ..... D11/216  
D740,718 S \* 10/2015 Liu ..... D11/216

\* cited by examiner

(21) Appl. No.: **29/556,481**  
(22) Filed: **Mar. 1, 2016**

*Primary Examiner* — Ralf Seifert  
(74) *Attorney, Agent, or Firm* — Kilpatrick Townsend & Stockton LLP

(30) **Foreign Application Priority Data**

Sep. 1, 2015 (JP) ..... 2015-019289

(51) **LOC (10) Cl.** ..... **02-07**  
(52) **U.S. Cl.**  
USPC ..... **D11/216**

(58) **Field of Classification Search**  
USPC ..... D11/200–219; 24/163 R, 169–171, 173,  
24/177–179, 191, 194–195, 197, 200,  
24/614–616, 625, 198, 578.11, 578.1,  
24/163 K, 114, 307, 313  
CPC ..... A44B 11/26; A44B 11/25; A44B 11/06  
See application file for complete search history.

(56) **References Cited**

**U.S. PATENT DOCUMENTS**

5,170,539 A \* 12/1992 Lundstedt ..... A44B 11/006  
24/194  
D558,638 S \* 1/2008 Kolasa ..... D11/216

(57) **CLAIM**

The ornamental design for a buckle, as shown and described.

**DESCRIPTION**

FIG. 1 is a first perspective view of the front, bottom and right side of a buckle, showing my new design;  
FIG. 2 is a front view thereof;  
FIG. 3 is a rear view thereof;  
FIG. 4 is a right side view thereof, the left side view being mirror image thereof;  
FIG. 5 is a top plan view thereof; and,  
FIG. 6 is a bottom view thereof.

**1 Claim, 5 Drawing Sheets**

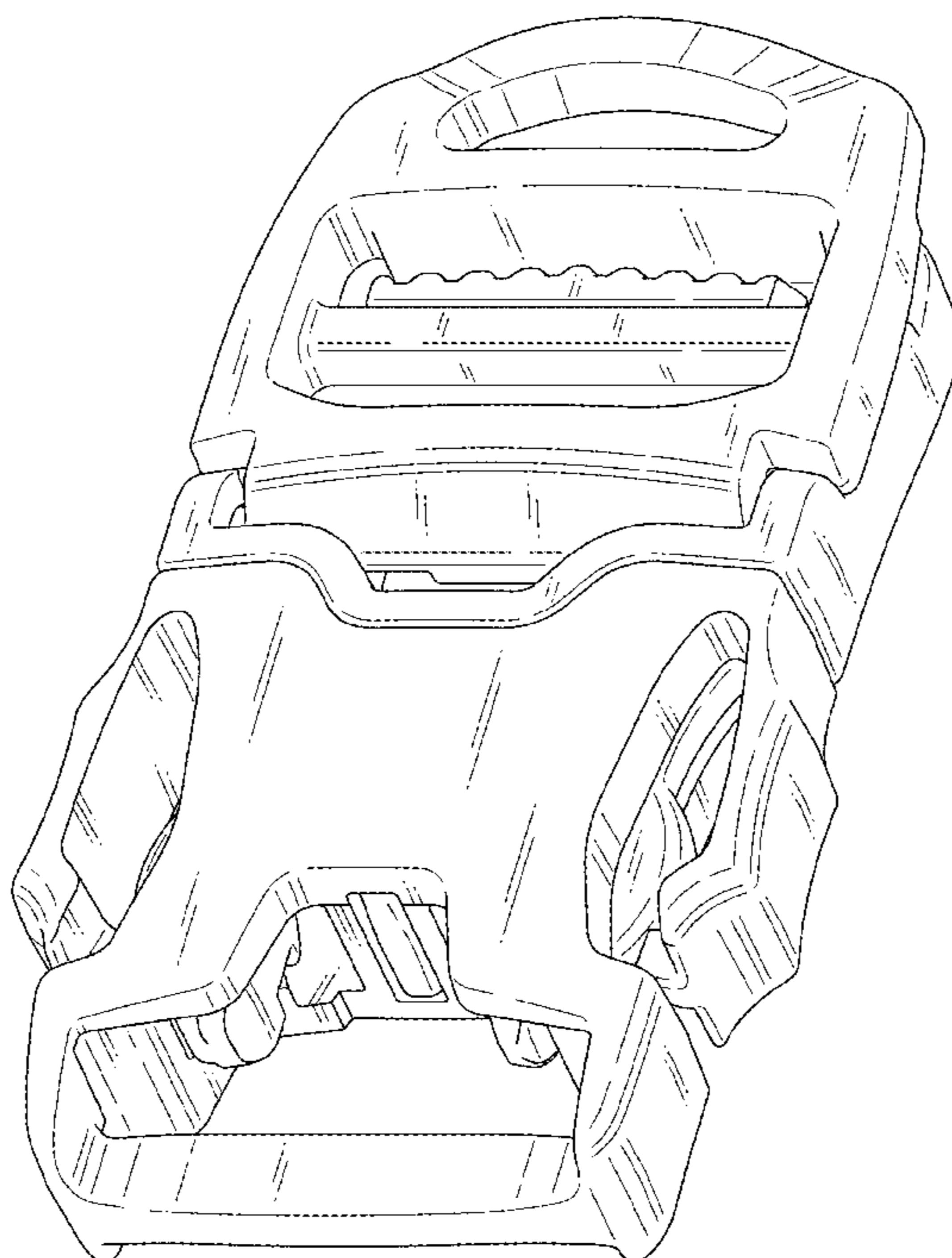


Fig. 1

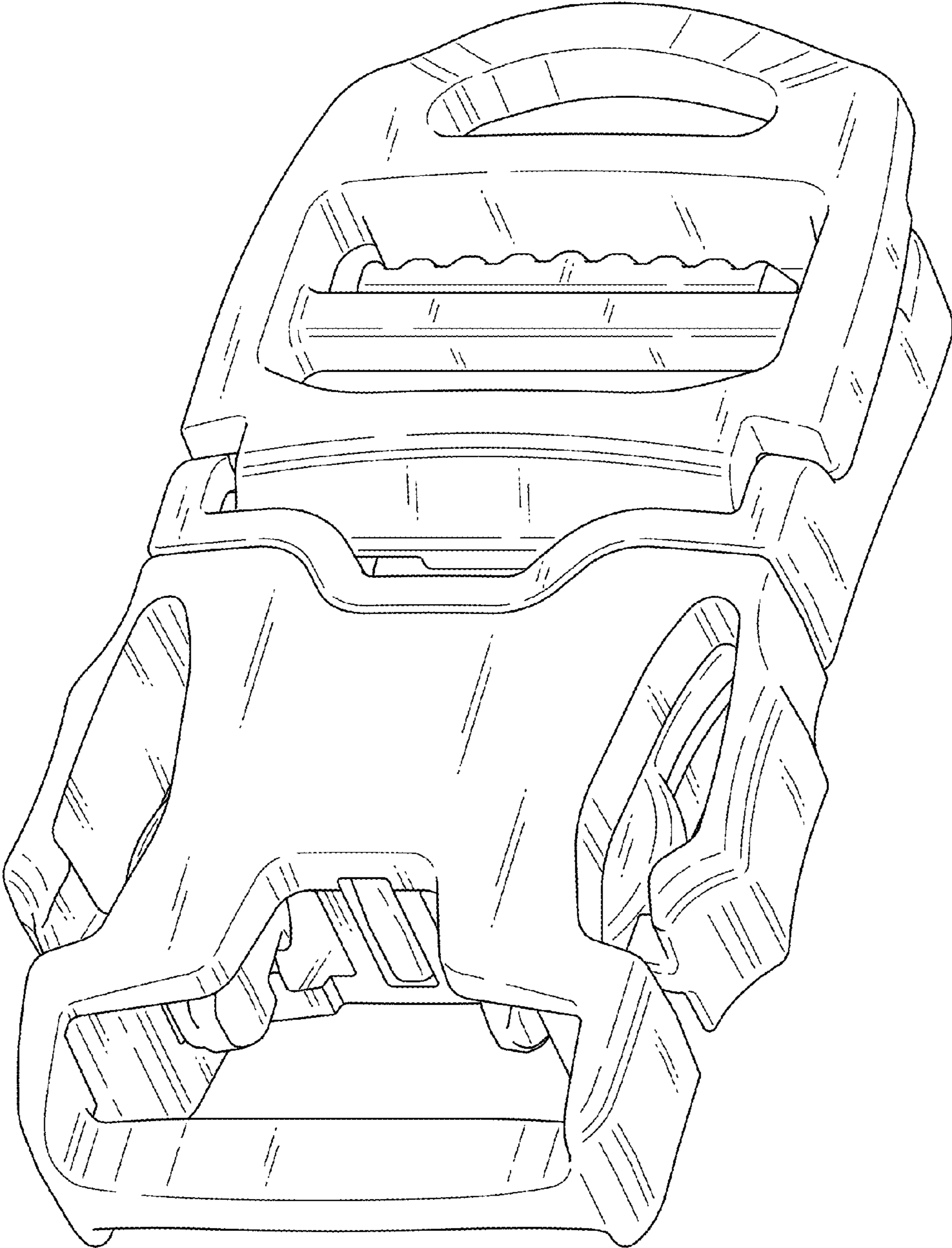


Fig. 2

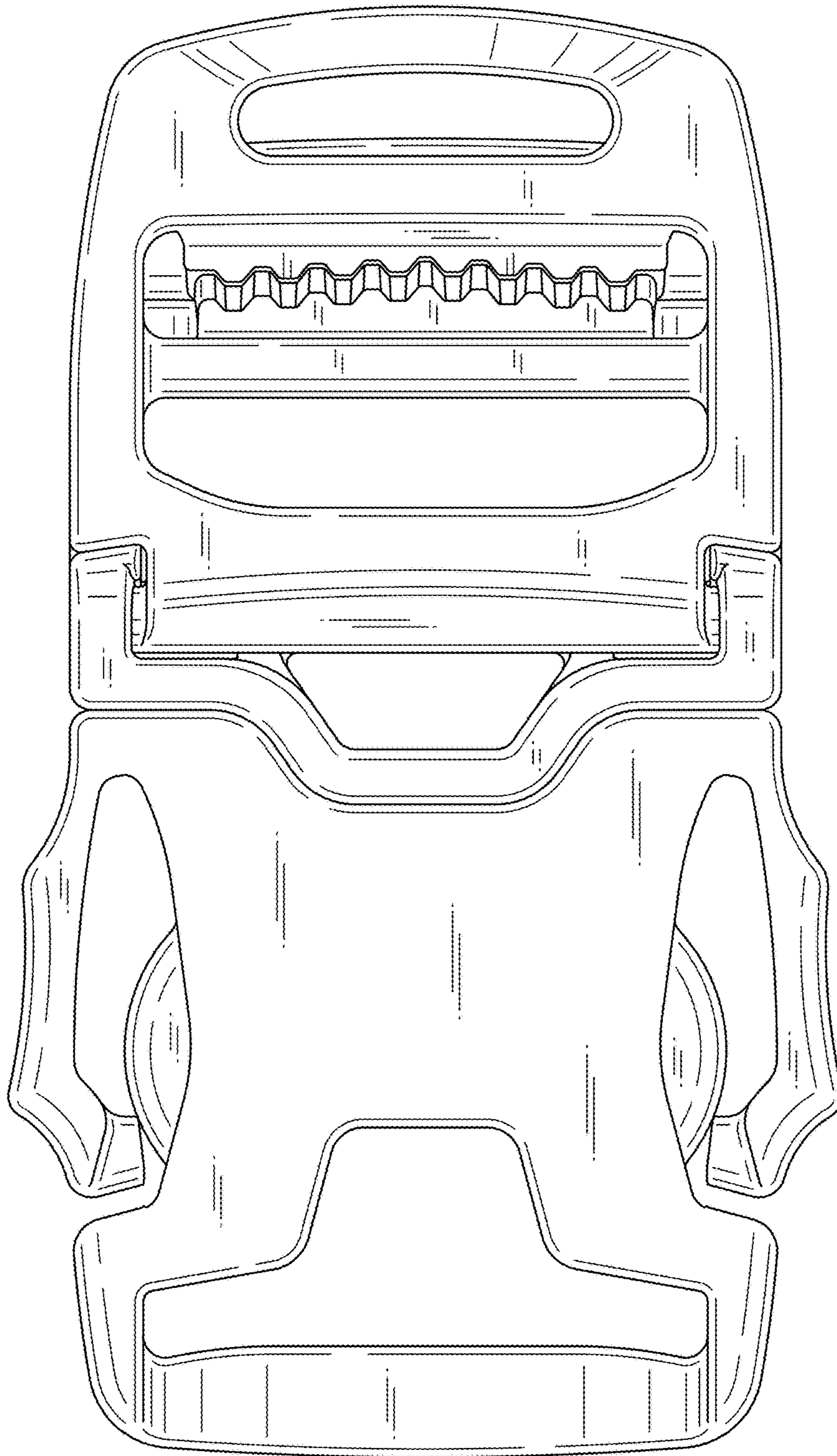




Fig. 3

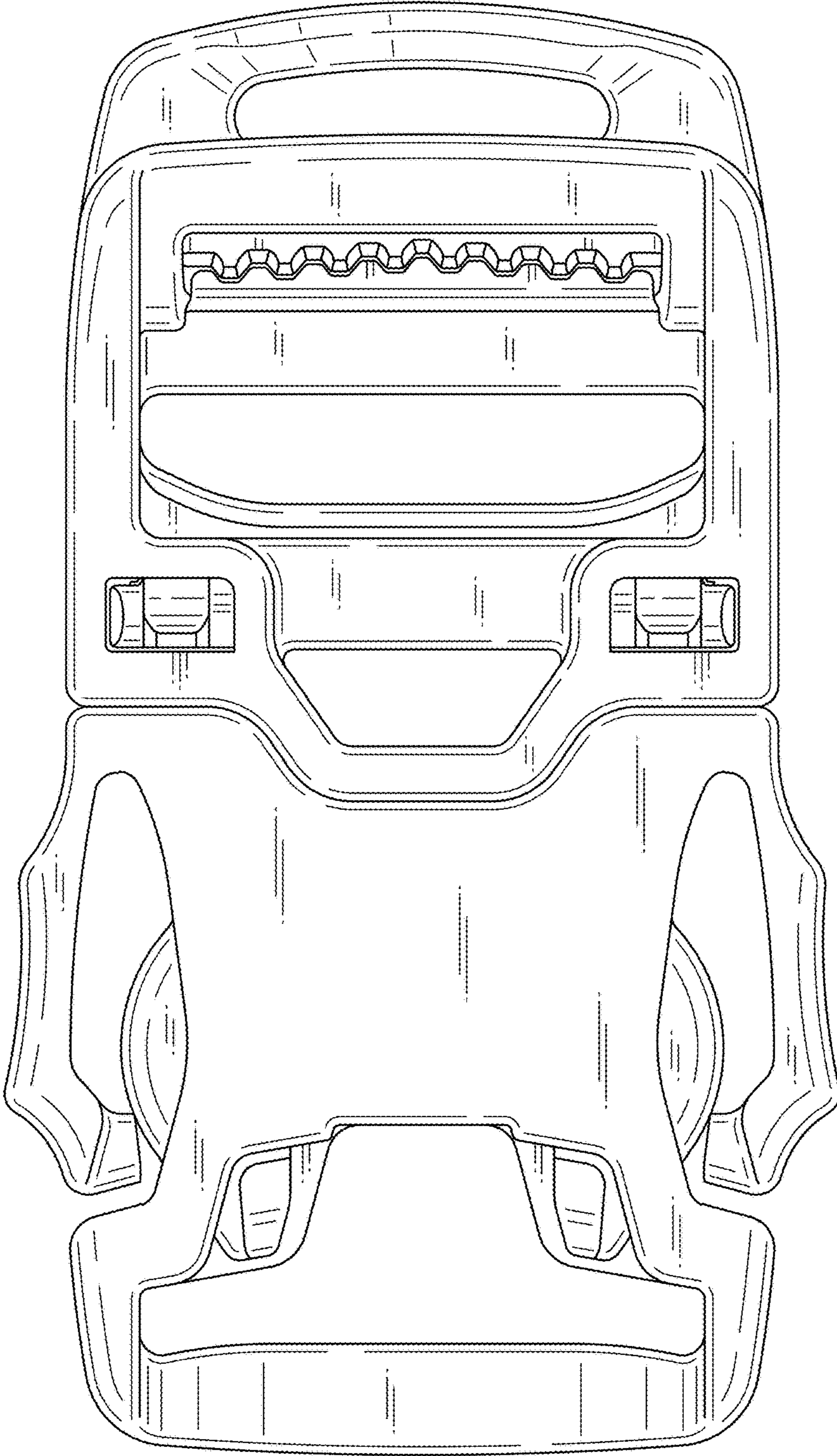


Fig. 4

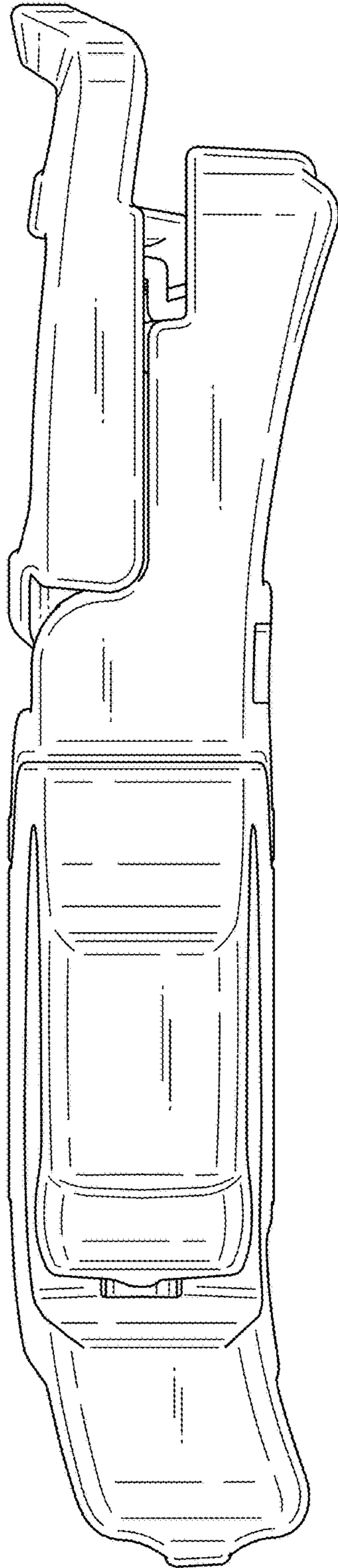


Fig. 5

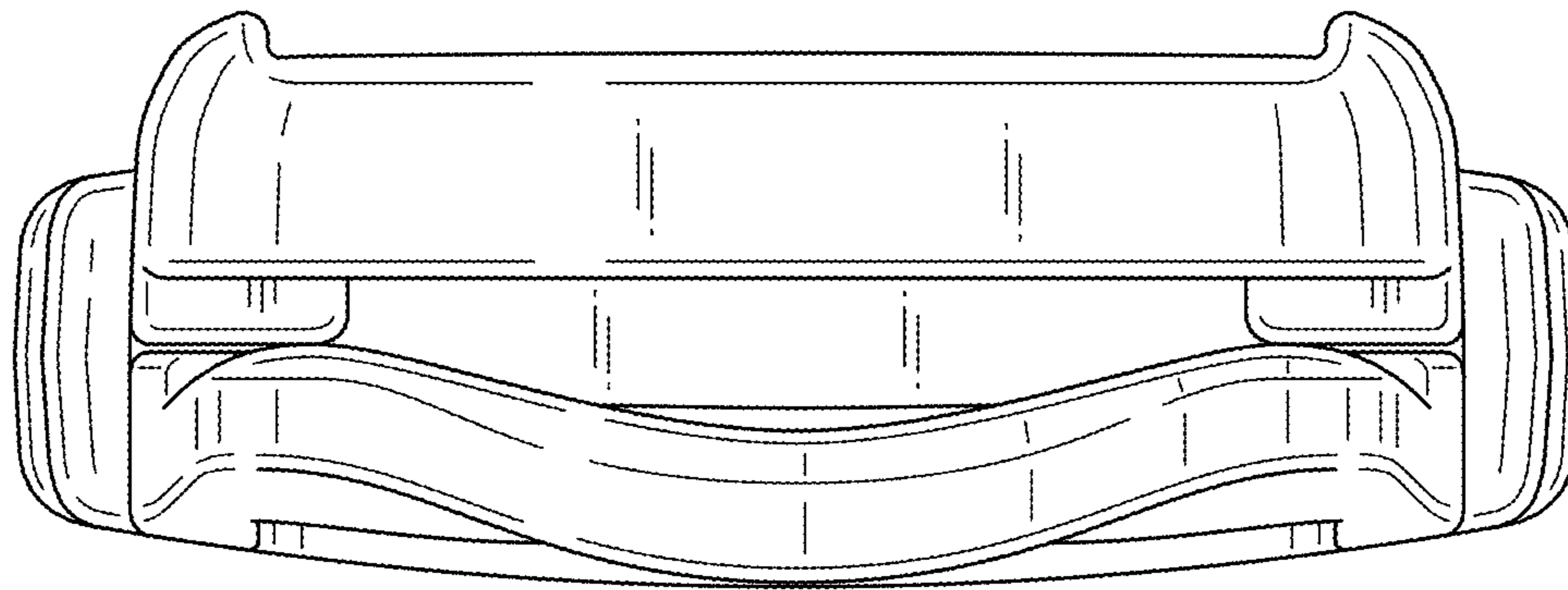


Fig. 6

