



US00D778778S

(12) **United States Design Patent**
Paik et al.

(10) **Patent No.:** **US D778,778 S**

(45) **Date of Patent:** **** Feb. 14, 2017**

(54) **BUCKLE**
(71) Applicant: **WOJIN PLASTIC CO., LTD.**,
Guri-si, Gyeonggi-do (KR)
(72) Inventors: **Jisook Paik**, Seoul (KR); **Nan Hee Paik**, Seoul (KR); **Ji Hye Paik**, Seoul (KR); **Ji Won Son**, Seoul (KR)
(73) Assignee: **WOJIN PLASTIC CO., LTD.**,
Guri-si, Gyeonggi-do (KR)
(**) Term: **15 Years**
(21) Appl. No.: **29/551,564**
(22) Filed: **Jan. 14, 2016**

6,292,985 B1 * 9/2001 Grunberger A44B 11/2592
24/303
6,606,767 B2 * 8/2003 Wong A41F 1/006
24/303
6,857,169 B2 * 2/2005 Chung A44B 11/258
24/303
D511,713 S * 11/2005 Carbonero D11/212
8,261,417 B2 * 9/2012 Yoshiguchi A44B 11/2592
24/578.1
8,359,716 B2 * 1/2013 Fiedler A44B 11/25
24/303
D702,593 S * 4/2014 Koreishi D11/216
D714,682 S * 10/2014 Paik D11/216
D715,184 S * 10/2014 McElroy D11/200
D742,786 S * 11/2015 Kung D11/216
9,307,808 B1 * 4/2016 Lill A44B 11/2584

* cited by examiner

Primary Examiner — Ralf Seifert

(74) *Attorney, Agent, or Firm* — Novick, Kim & Lee, PLLC; Jae Youn Kim

(30) **Foreign Application Priority Data**

Jul. 23, 2015 (KR) 30-2015-0037192

(51) **LOC (10) Cl.** **02-07**

(52) **U.S. Cl.**
USPC **D11/216**

(58) **Field of Classification Search**
USPC D11/200–219; 24/163 R, 169–171, 173,
24/177–179, 191, 194–195, 197, 200,
24/614–616, 625, 198, 578.11, 578.1,
24/163 K, 114, 303, 662, 664, 652
CPC A44B 11/26; A44B 11/25; A44B 11/06;
A44B 11/266; A44C 5/00
See application file for complete search history.

(56) **References Cited**

U.S. PATENT DOCUMENTS

D385,826 S * 11/1997 Anscher D11/200
5,855,057 A * 1/1999 Anscher A44B 11/263
24/614

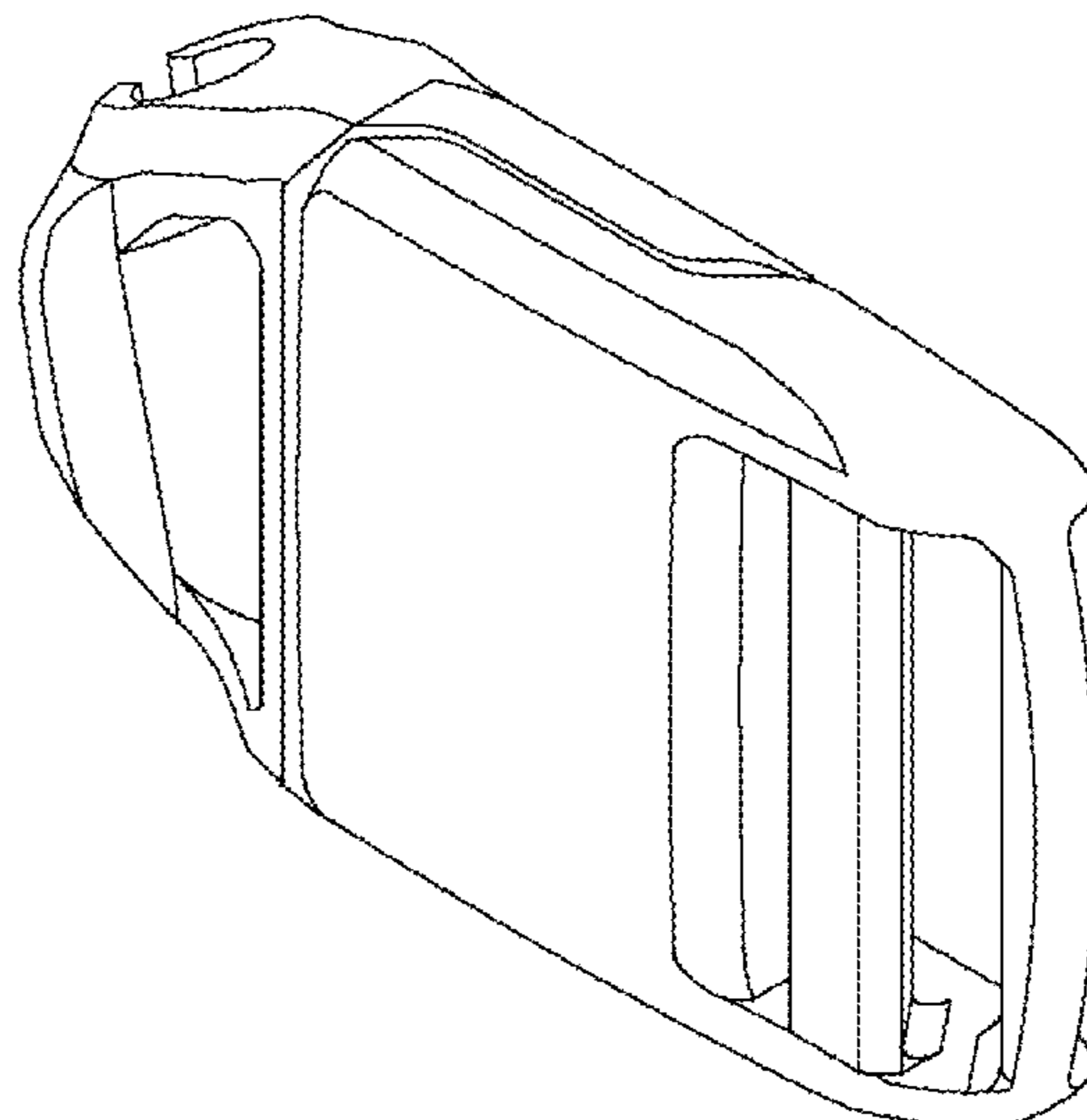
(57) **CLAIM**

We claim the ornamental design for a buckle, as shown and described.

DESCRIPTION

FIG. 1 is a perspective view of a buckle, showing our new design;
FIG. 2 is a front elevational view thereof;
FIG. 3 is a rear elevational view thereof;
FIG. 4 is a left side elevational view thereof;
FIG. 5 is a right side elevational view thereof;
FIG. 6 is a top plan view thereof;
FIG. 7 is a bottom plan view thereof; and,
FIG. 8 is a sectional view thereof along line 8-8 as shown in FIG. 2.

1 Claim, 4 Drawing Sheets



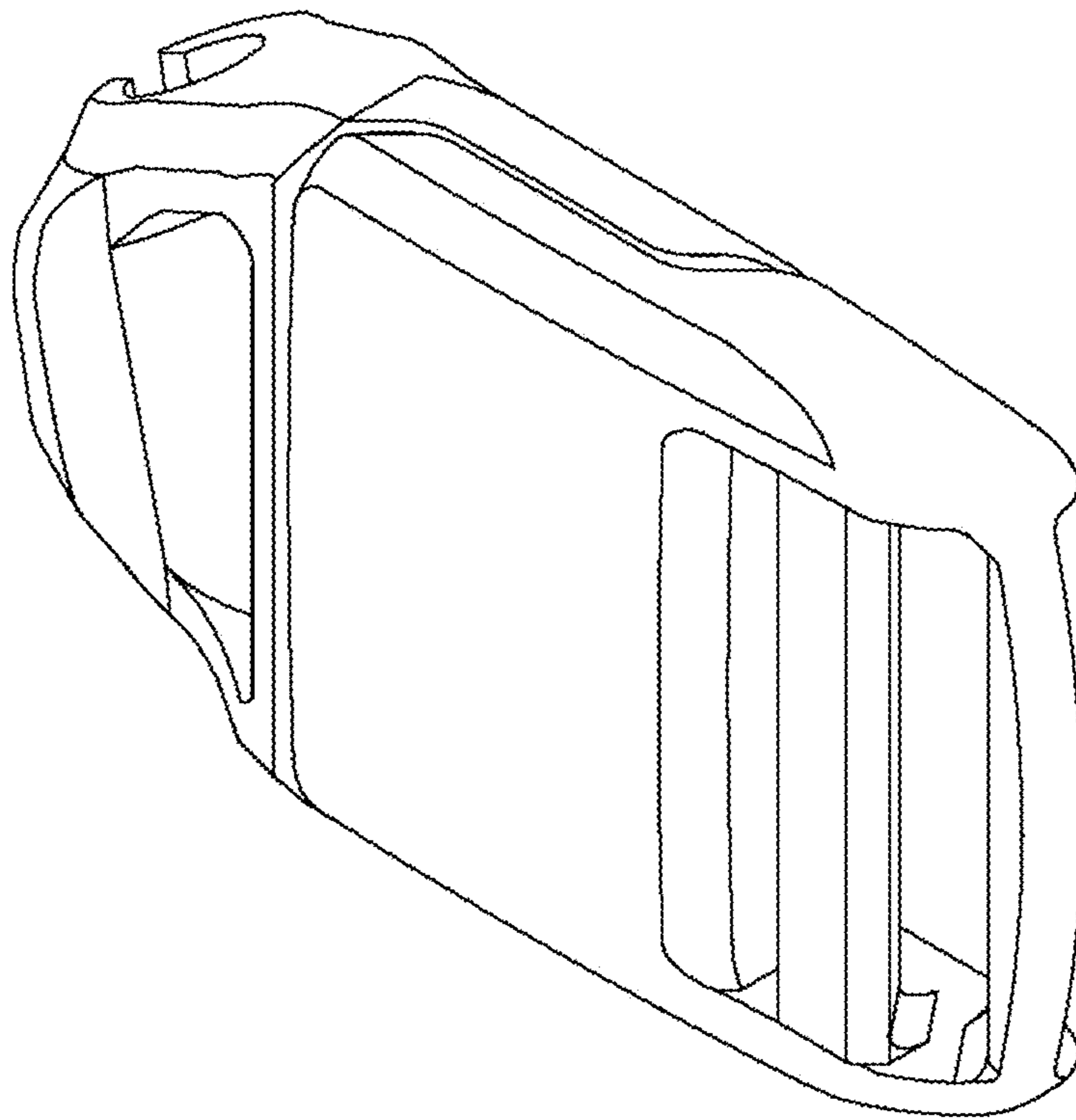


FIG.1

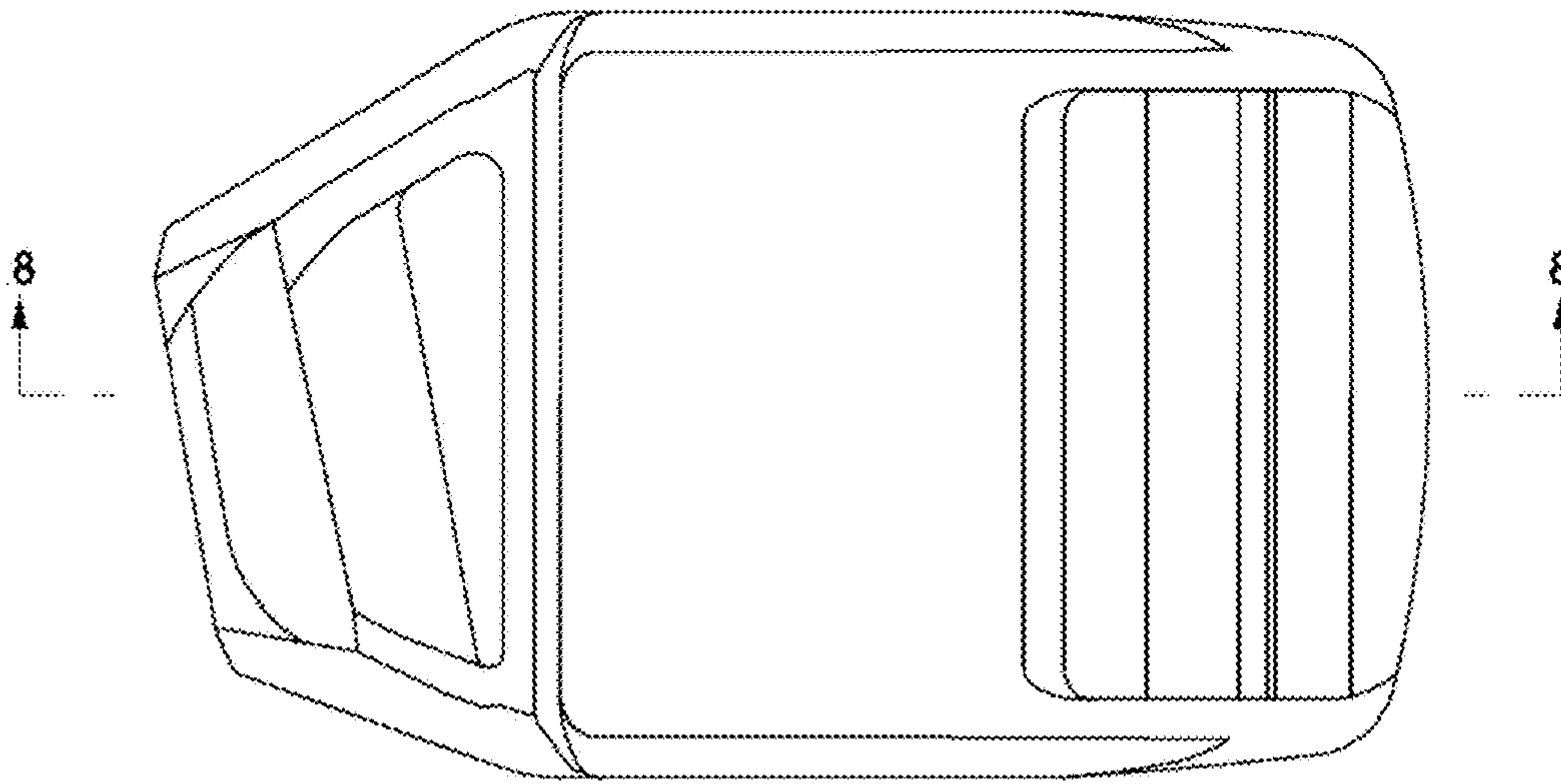


FIG. 2

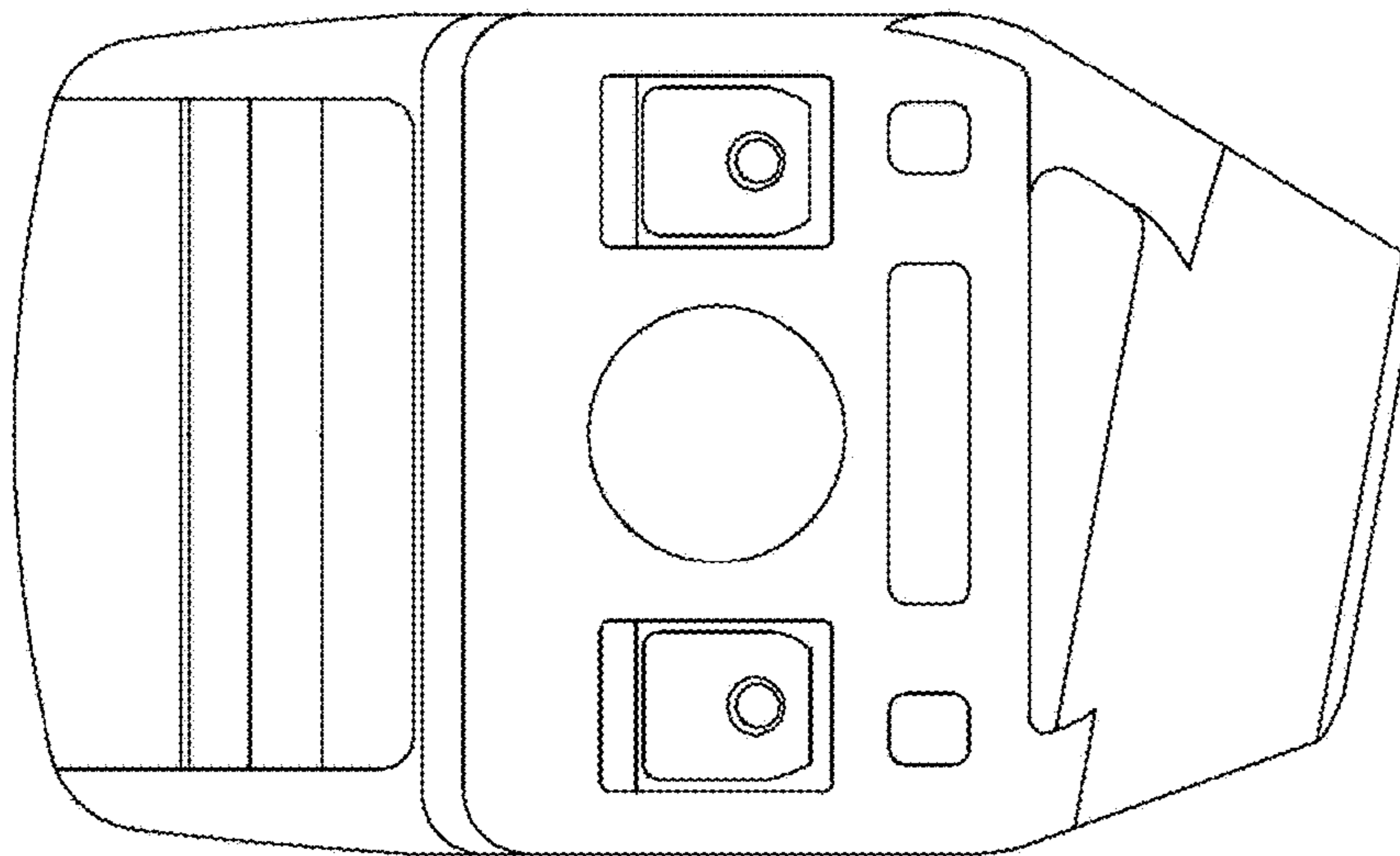


FIG. 3

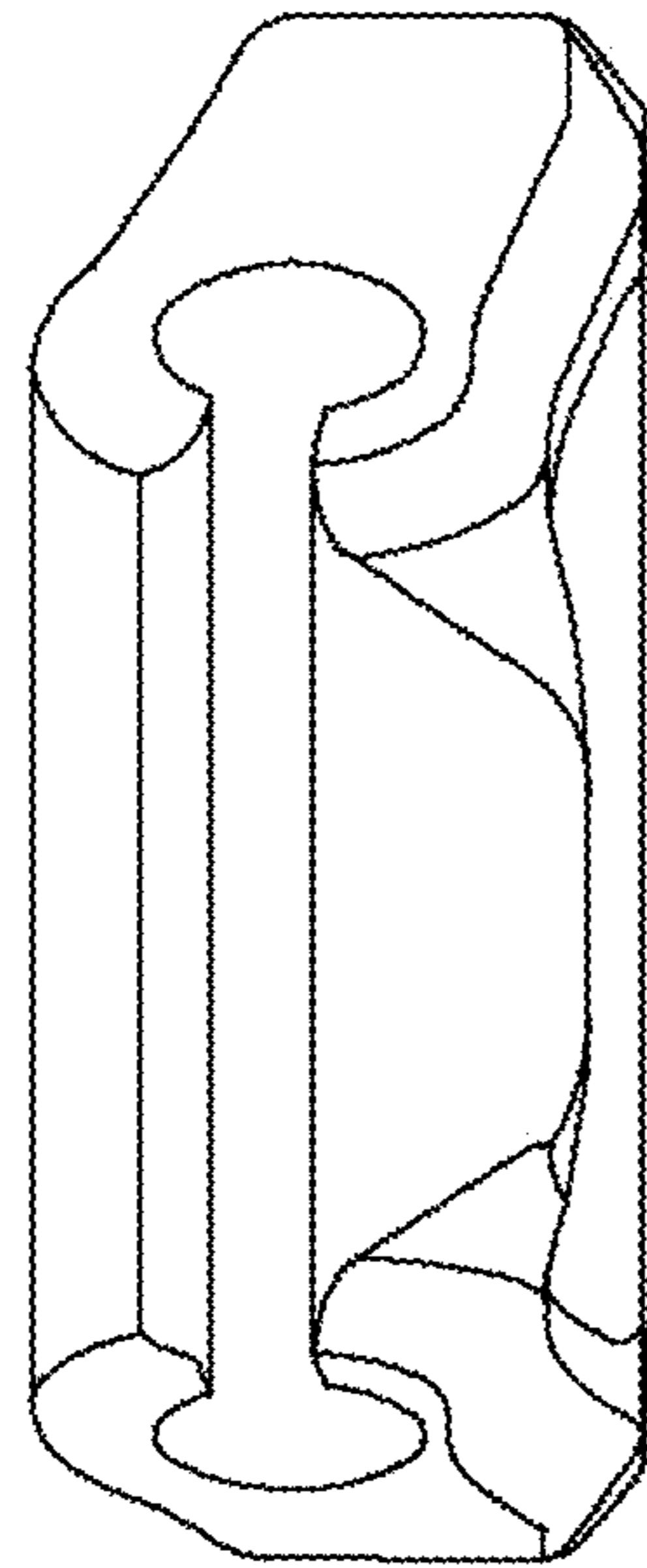


FIG.4

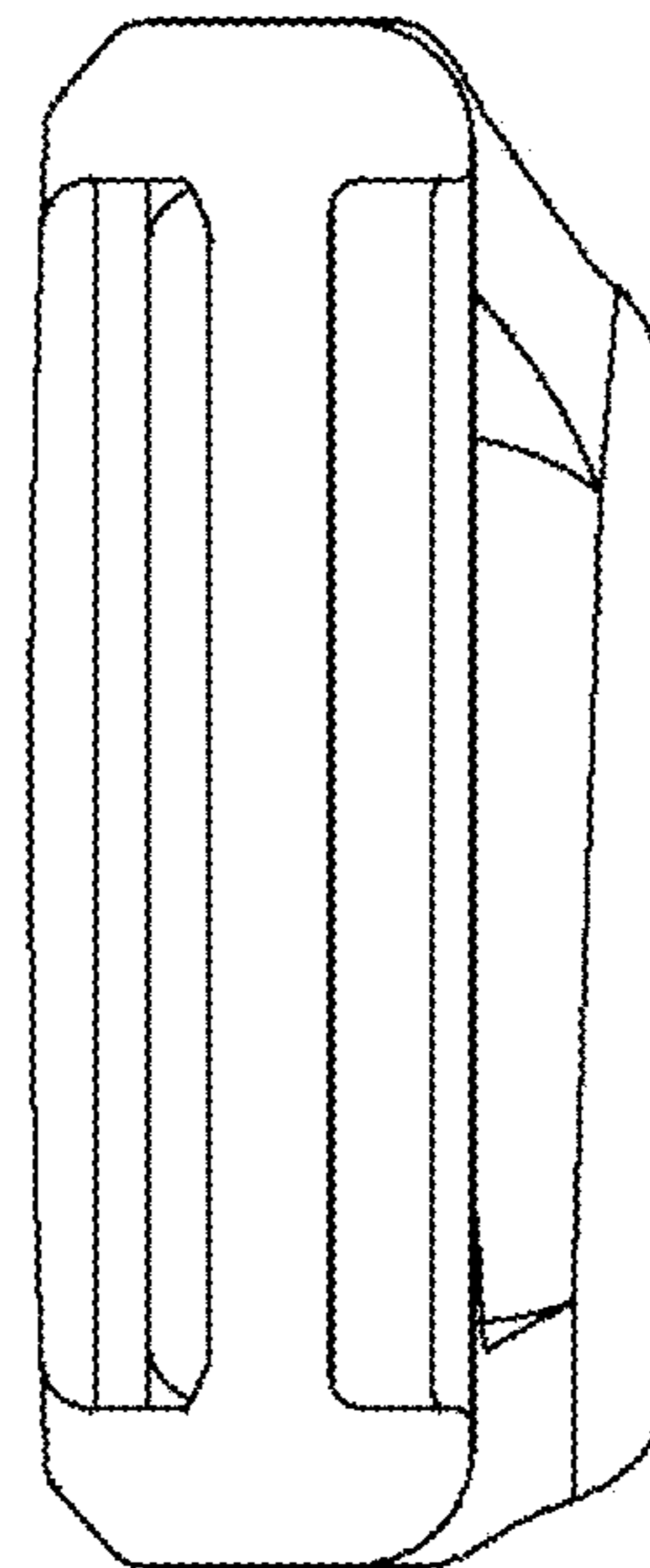


FIG.5

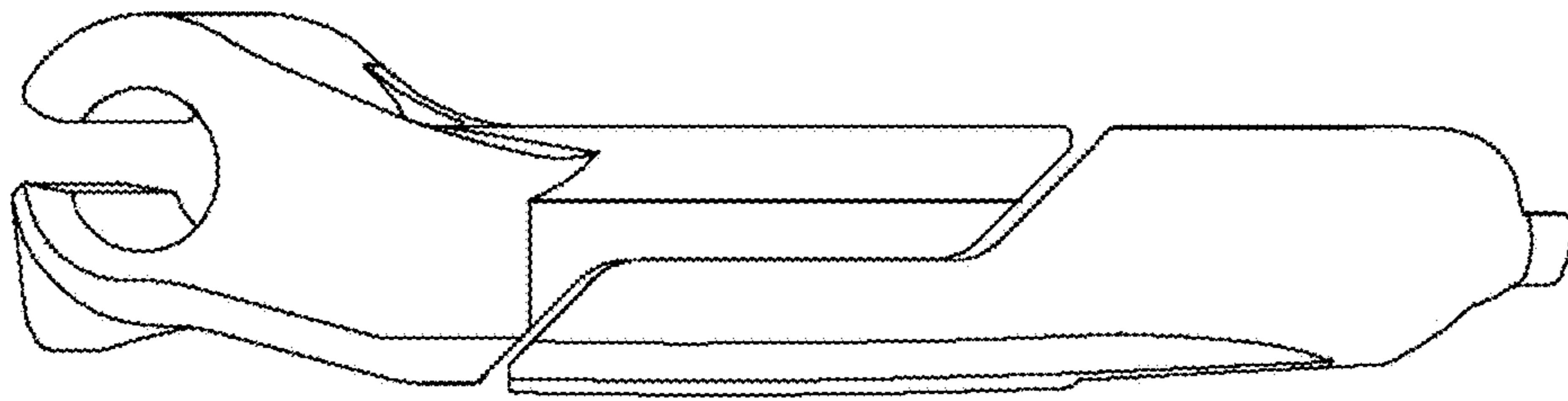


FIG. 6

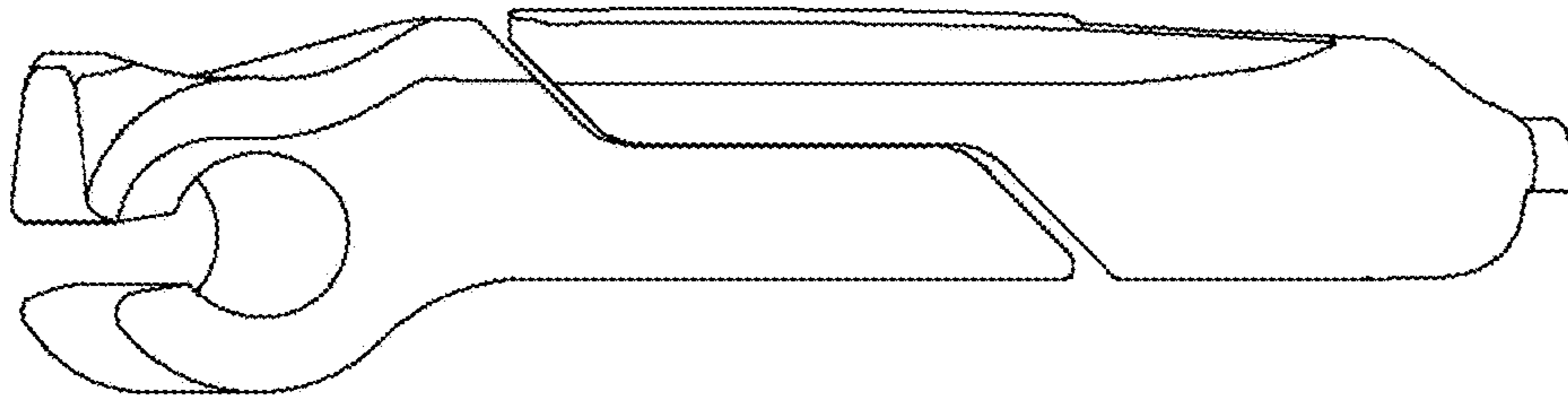


FIG. 7

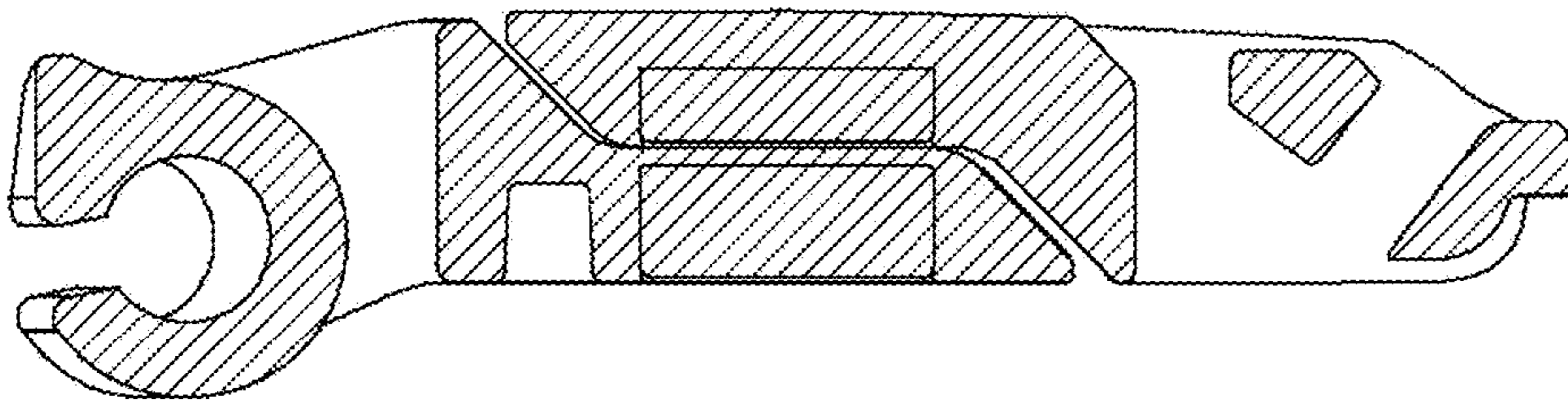


FIG. 8