

US00D778777S

(12) **United States Design Patent**
Paik et al.

(10) **Patent No.:** **US D778,777 S**
(45) **Date of Patent:** **** Feb. 14, 2017**

- (54) **MAGNET CENTER PUSH BUCKLE**
- (71) Applicant: **WOJIN PLASTIC CO., LTD.**,
Guri-si, Gyeonggi-do (KR)
- (72) Inventors: **Jisook Paik**, Seoul (KR); **Nan Hee Paik**, Seoul (KR); **Ji Hye Paik**, Seoul (KR); **Ji Won Son**, Seoul (KR)
- (73) Assignee: **WOJIN PLASTIC CO., LTD.**,
Guri-si, Gyeonggi-do (KR)
- (**) Term: **15 Years**
- (21) Appl. No.: **29/551,453**
- (22) Filed: **Jan. 13, 2016**

- 6,292,985 B1 * 9/2001 Grunberger A44B 11/2592
24/303
- 6,571,433 B2 * 6/2003 Uehara A44B 11/266
24/614
- 6,606,767 B2 * 8/2003 Wong A41F 1/006
24/303
- D511,713 S * 11/2005 Carbonero D11/212
- D581,835 S * 12/2008 Yang D11/218
- 8,261,417 B2 * 9/2012 Yoshiguchi A44B 11/2592
24/578.1
- 8,359,716 B2 * 1/2013 Fiedler A44B 11/25
24/303
- D702,593 S * 4/2014 Koreishi D11/216
- D714,682 S * 10/2014 Paik D11/216
- D715,184 S * 10/2014 Howard McElroy D11/200
- D742,786 S * 11/2015 Kung D11/216
- 9,307,808 B1 * 4/2016 Lill A44B 11/2584

* cited by examiner

(30) **Foreign Application Priority Data**

Jul. 14, 2015 (KR) 30-2015-0035326

(51) **LOC (10) Cl.** **02-07**

(52) **U.S. Cl.**
USPC **D11/216**

(58) **Field of Classification Search**
USPC D11/200-219; 24/163 R, 169-171, 173,
24/177-179, 191, 194-195, 197, 200,
24/614-616, 625, 198, 578.11, 578.1,
24/163 K, 114, 303, 664, 652
CPC A44B 11/26; A44B 11/25; A44B 11/06;
A44B 11/266
See application file for complete search history.

(56) **References Cited**

U.S. PATENT DOCUMENTS

- D340,886 S * 11/1993 Anscher D11/200
- D385,826 S * 11/1997 Anscher D11/200
- 5,855,057 A * 1/1999 Anscher A44B 11/263
24/614

Primary Examiner — Ralf Seifert

(74) *Attorney, Agent, or Firm* — Novick, Kim & Lee,
PLLC; Jae Youn Kim

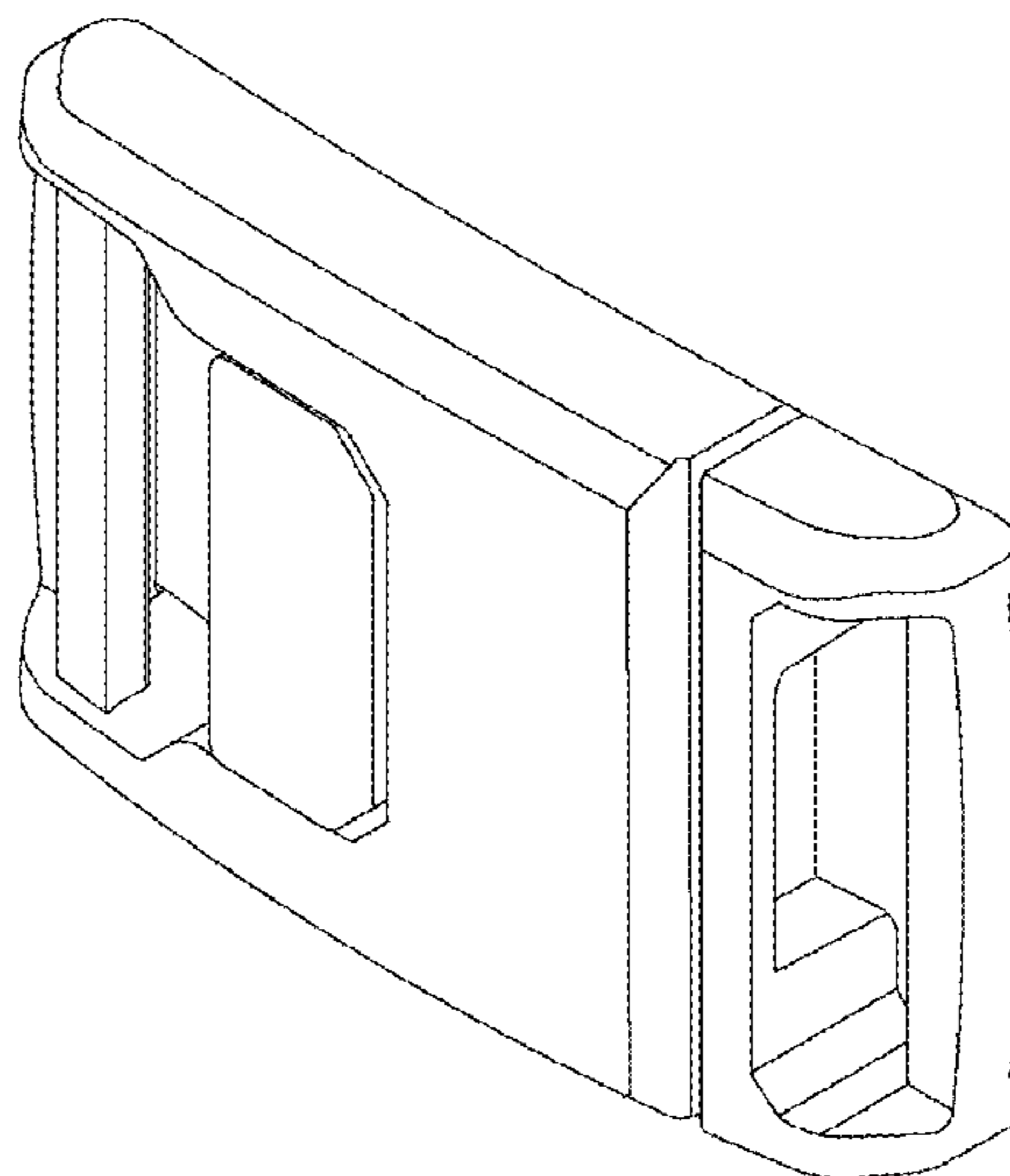
(57) **CLAIM**

We claim the ornamental design for a magnet center push buckle, as shown and described.

DESCRIPTION

FIG. 1 is a perspective view of a magnet center push buckle, showing our new design;
FIG. 2 is a front elevational view thereof;
FIG. 3 is a rear elevational view thereof;
FIG. 4 is a left side elevational view thereof;
FIG. 5 is a right side elevational view thereof;
FIG. 6 is a top plan view thereof;
FIG. 7 is a bottom plan view thereof; and,
FIG. 8 is a sectional view thereof along line 8-8 as shown in FIG. 2.

1 Claim, 4 Drawing Sheets



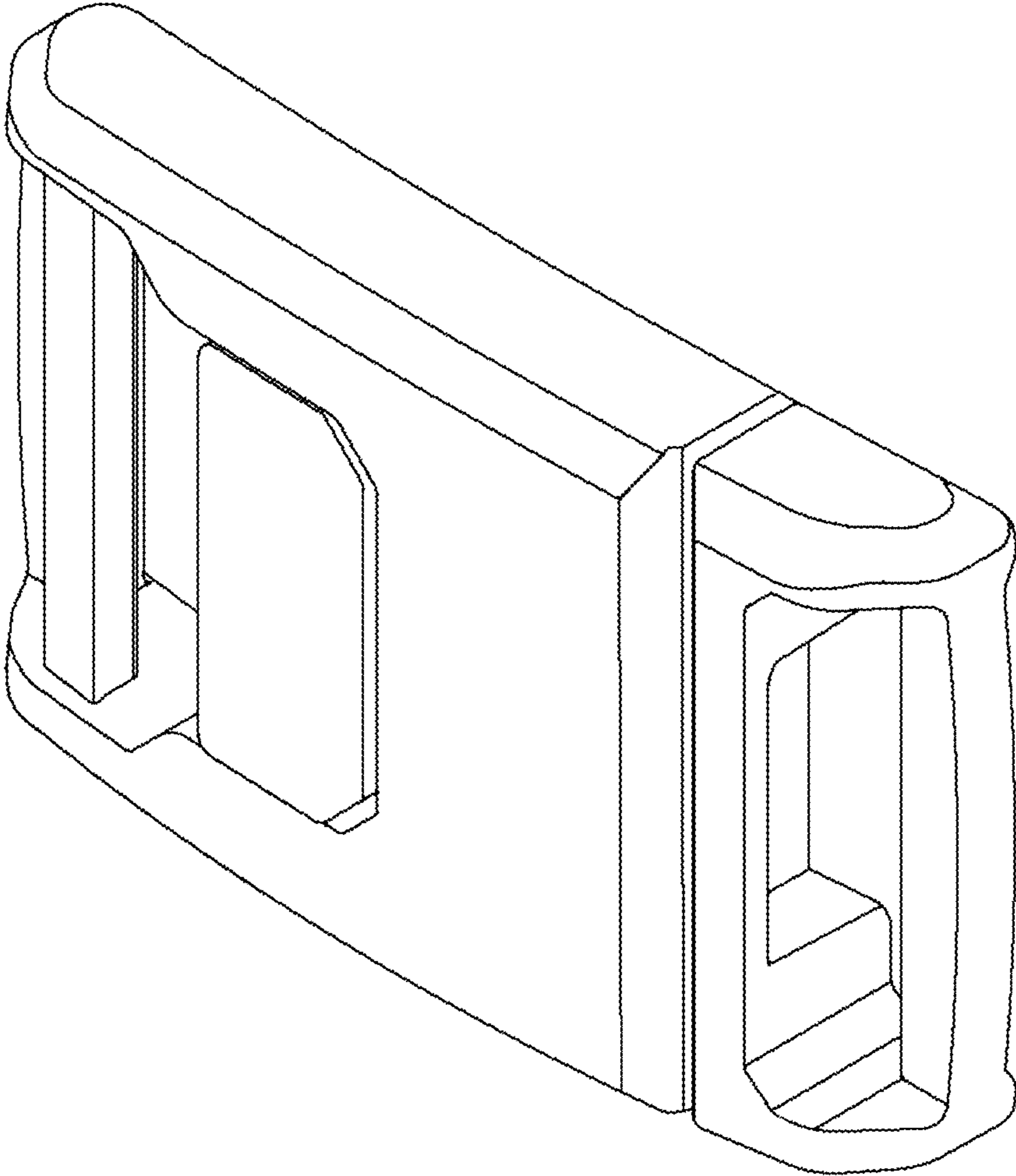


FIG.1

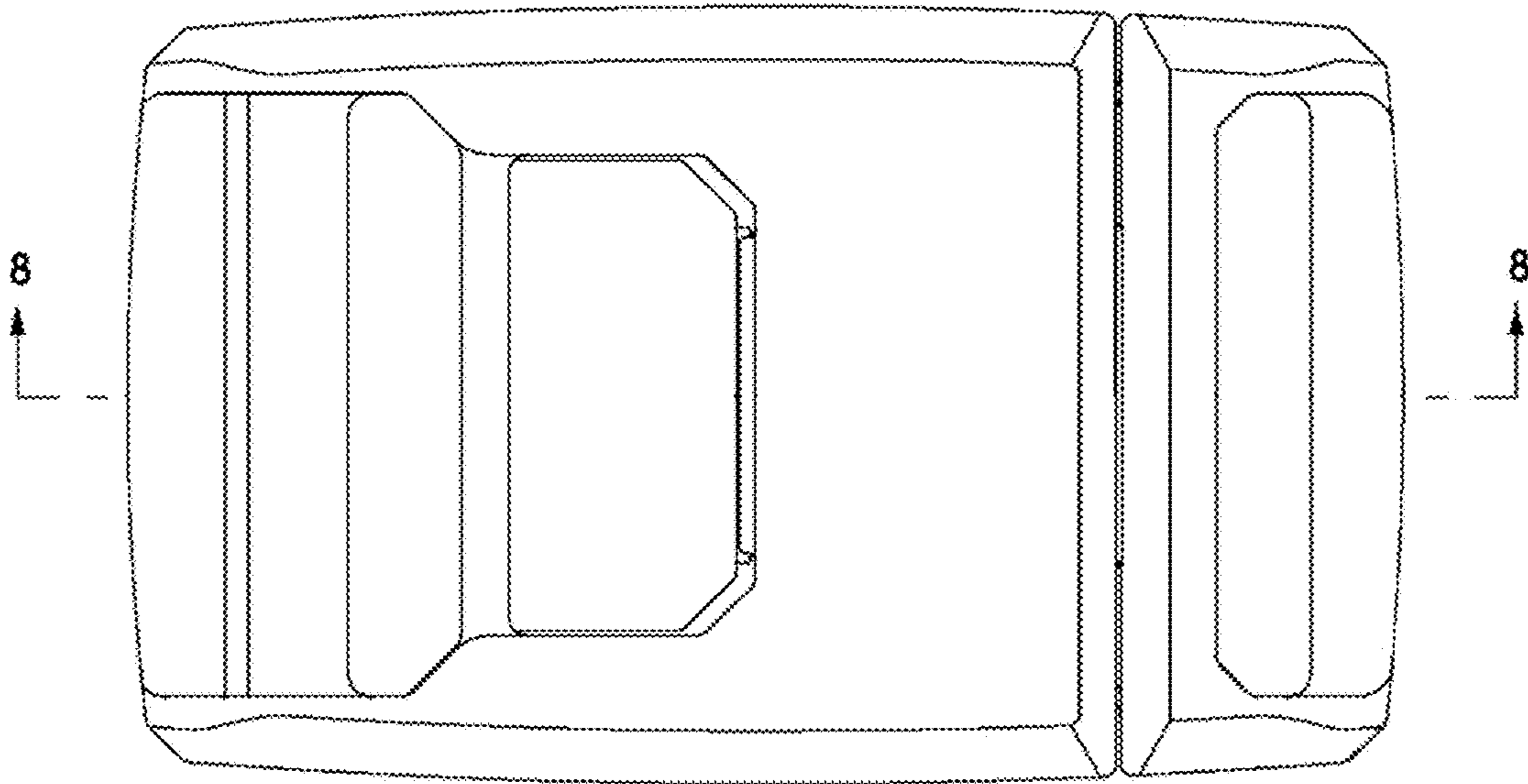


FIG. 2

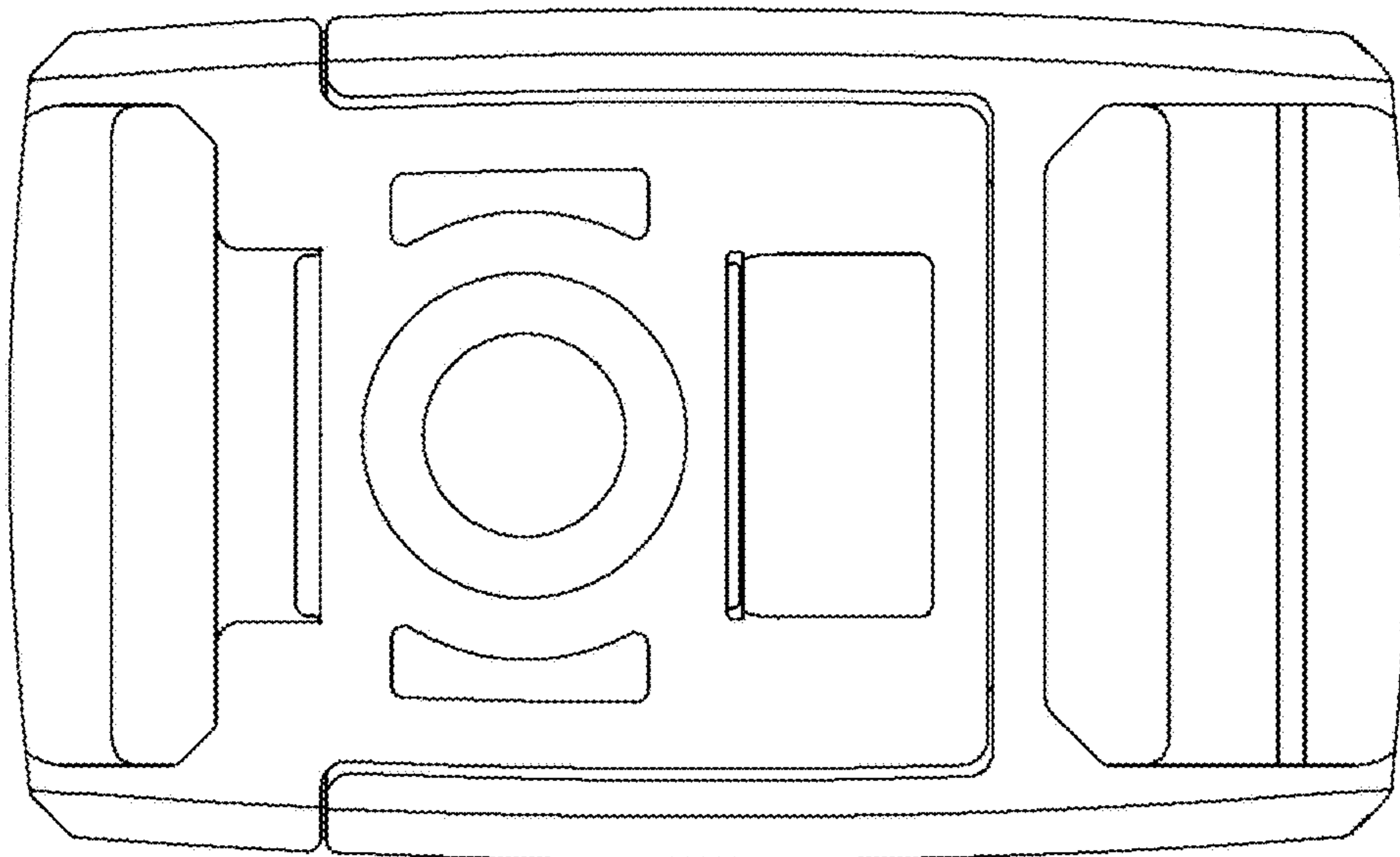


FIG. 3

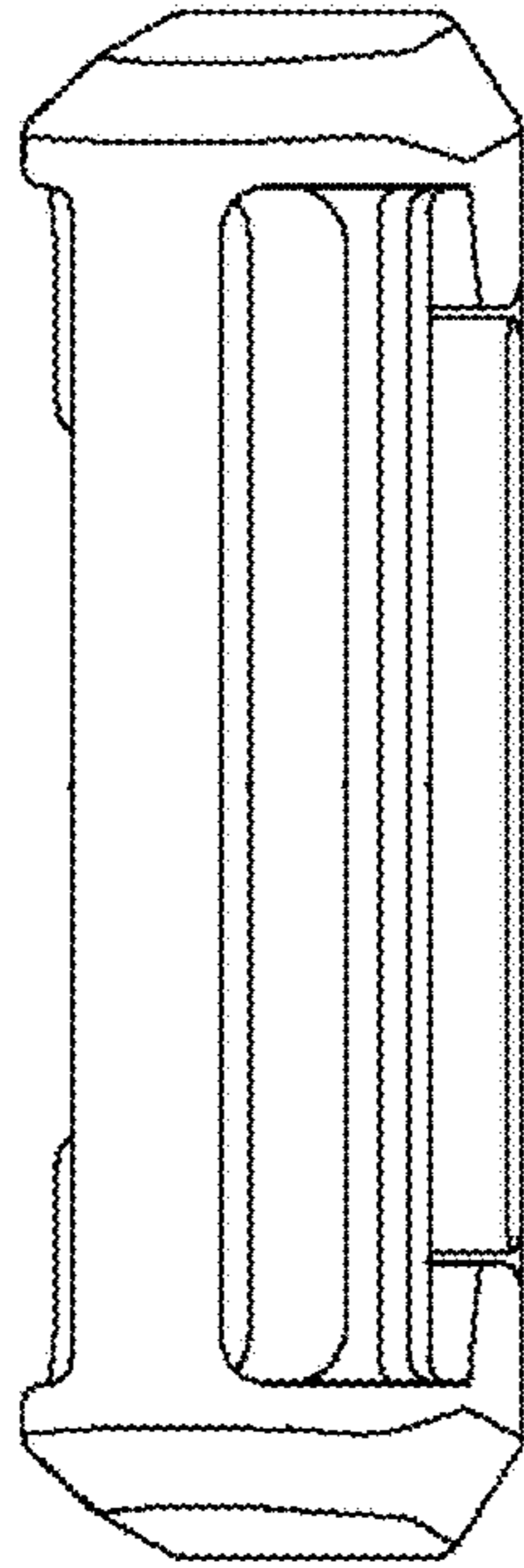


FIG. 4

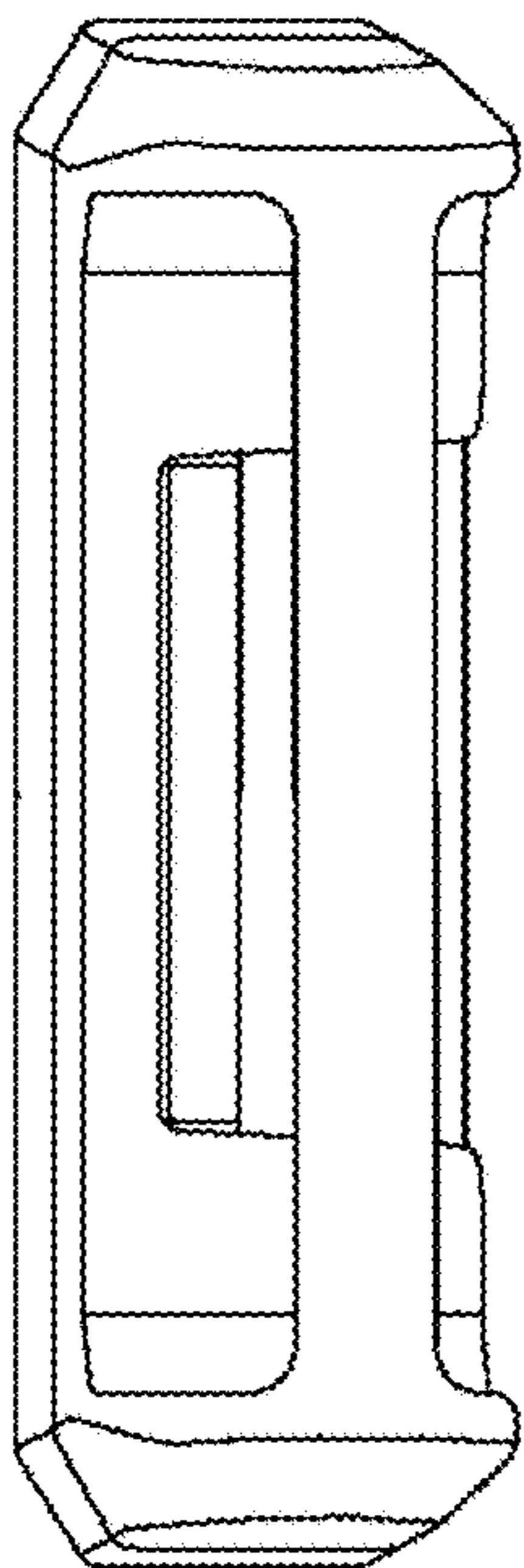


FIG. 5

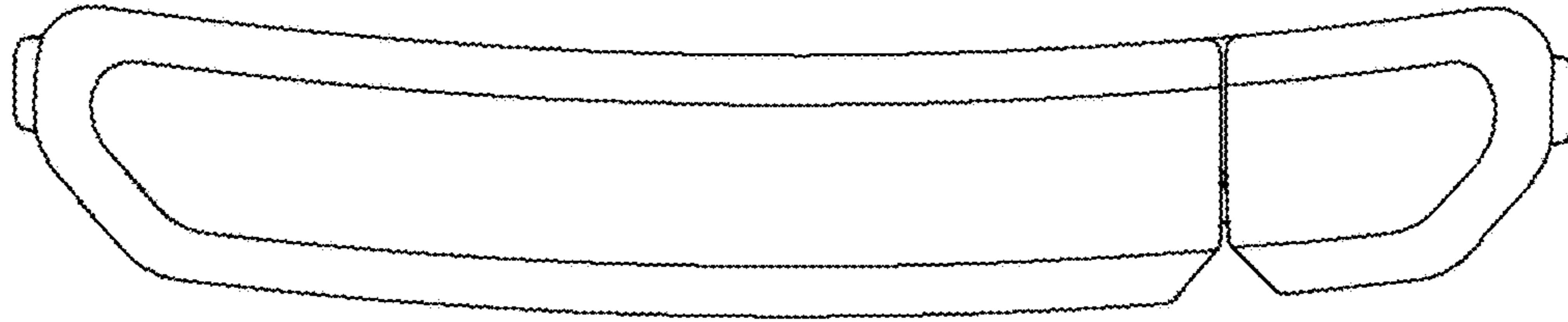


FIG. 6

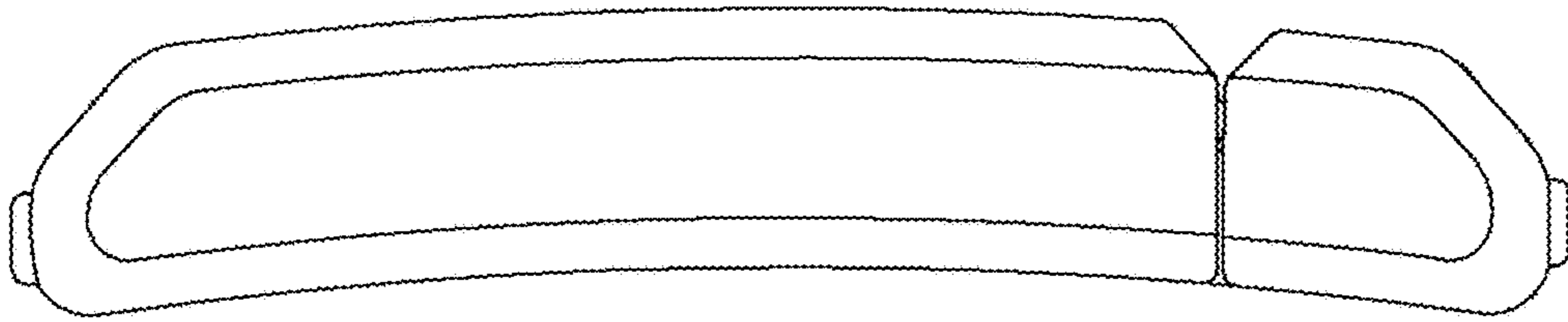


FIG. 7

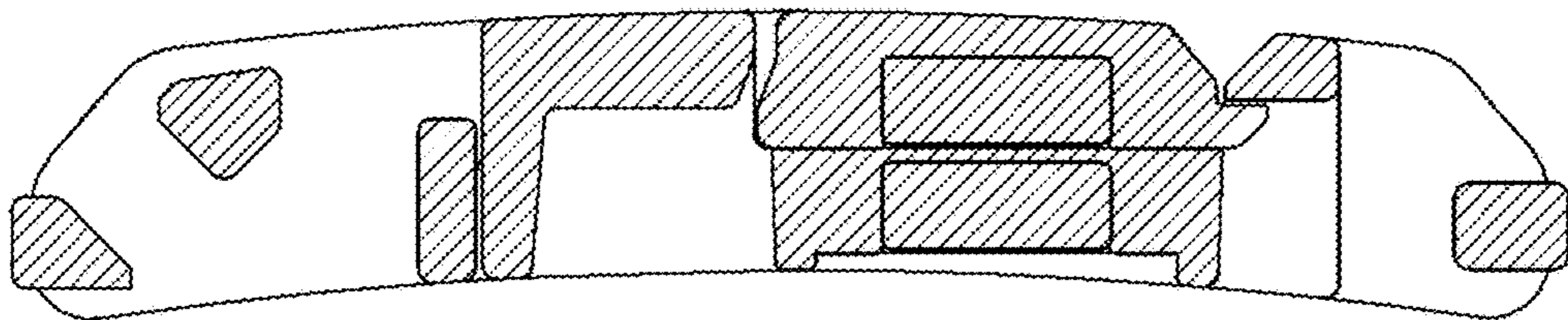


FIG. 8