



US00D778766S

(12) **United States Design Patent**
Carr

(10) **Patent No.:** **US D778,766 S**

(45) **Date of Patent:** **** Feb. 14, 2017**

(54) **CLIP**

(71) Applicant: **Shinola/Detroit, LLC**, Detroit, MI (US)

(72) Inventor: **Carla Carr**, Lucas, TX (US)

(73) Assignee: **Shinola/Detroit, LLC**, Detroit, MI (US)

(**) Term: **15 Years**

(21) Appl. No.: **29/527,022**

(22) Filed: **May 14, 2015**

(51) **LOC (10) Cl.** **01-01**

(52) **U.S. Cl.**
USPC **D11/87**

(58) **Field of Classification Search**
USPC D11/1-2, 7, 40-44, 46-49, 53, 56, 57,
D11/59-61, 63, 65, 79-83, 86-87, 89-90,
D11/91-92, 99, 101, 106, 114-116,
D11/200-201; 63/18-20
CPC A44C 5/18-5/2061
See application file for complete search history.

(56) **References Cited**

U.S. PATENT DOCUMENTS

3,941,208 A * 3/1976 St. Germain A62B 35/0075
182/3
D258,278 S * 2/1981 Loiseau D11/87

D388,741 S * 1/1998 Door D11/87
D390,496 S * 2/1998 Olsen D11/87
D421,406 S * 3/2000 Door D11/87
D465,591 S * 11/2002 Krieger D26/38
D479,147 S * 9/2003 Winfield D11/87
D580,819 S * 11/2008 Samuels D11/212
D710,749 S * 8/2014 Taitt D11/221

* cited by examiner

Primary Examiner — Zenia Bennett

(74) *Attorney, Agent, or Firm* — Fish & Richardson P.C.

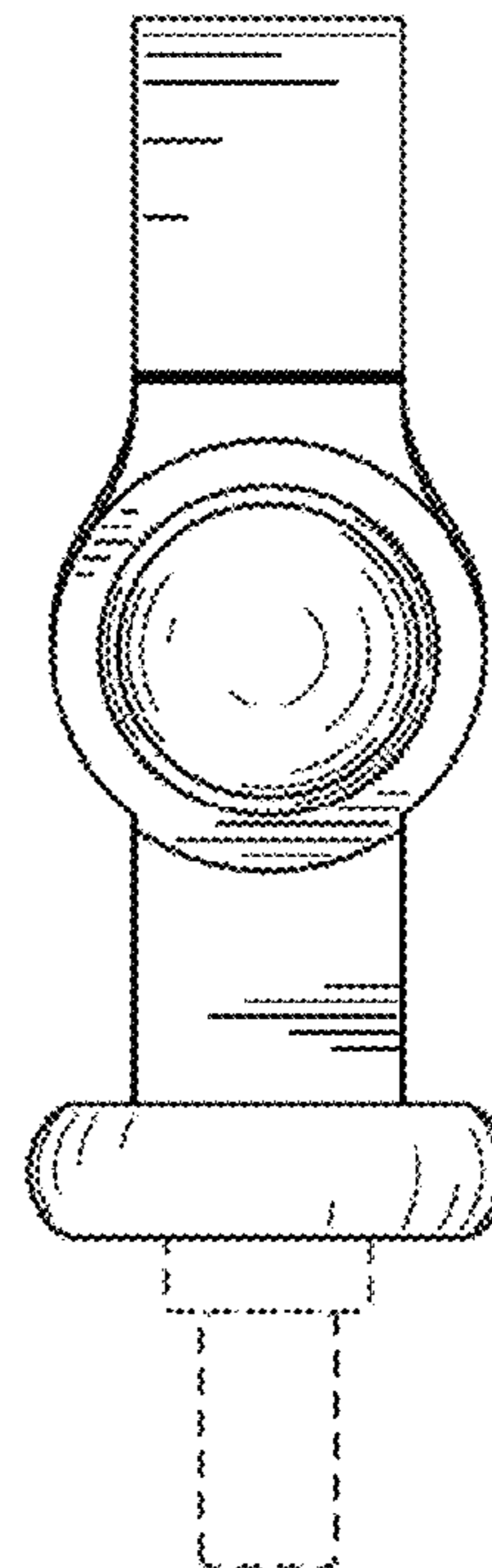
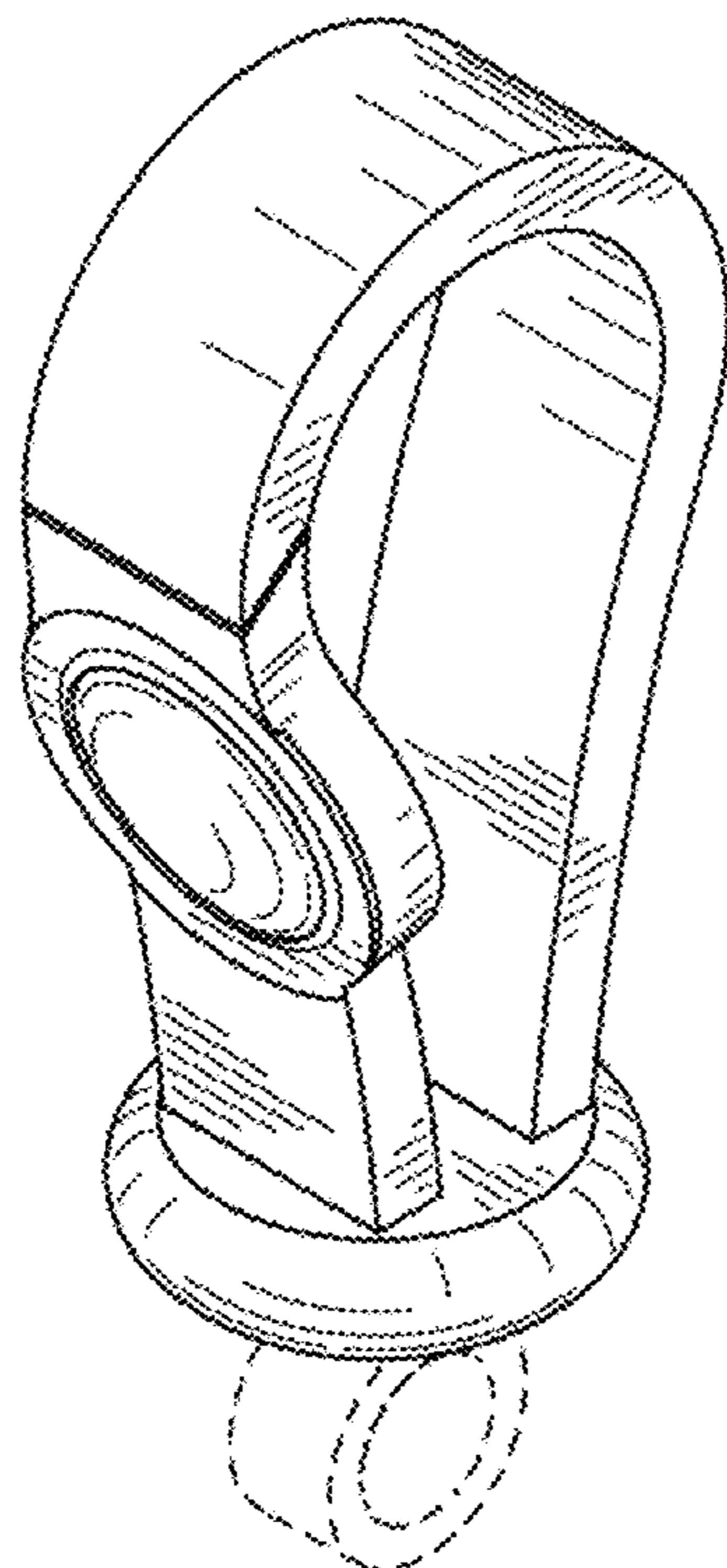
(57) **CLAIM**

The ornamental design for a clip, as shown and described.

DESCRIPTION

FIG. 1 is a front perspective view of our clip.
FIG. 2 is a bottom view of our clip.
FIG. 3 is a top view of our clip.
FIG. 4 is a left side view of our clip.
FIG. 5 is a right side view of our clip.
FIG. 6 is a front view of our clip; and,
FIG. 7 is a back view of our clip.
The broken lines illustrate environmental features that form no part of the claimed design.

1 Claim, 2 Drawing Sheets



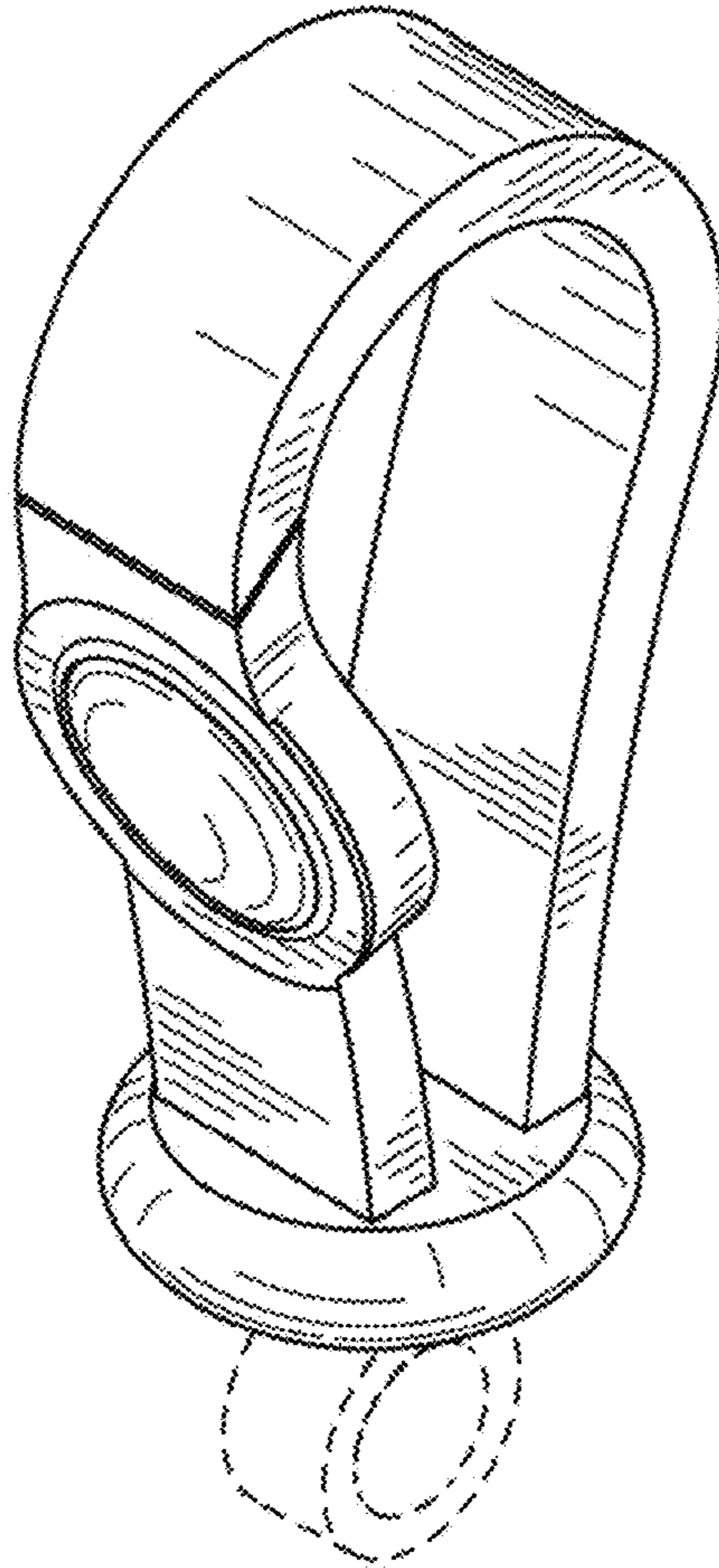


FIG. 1

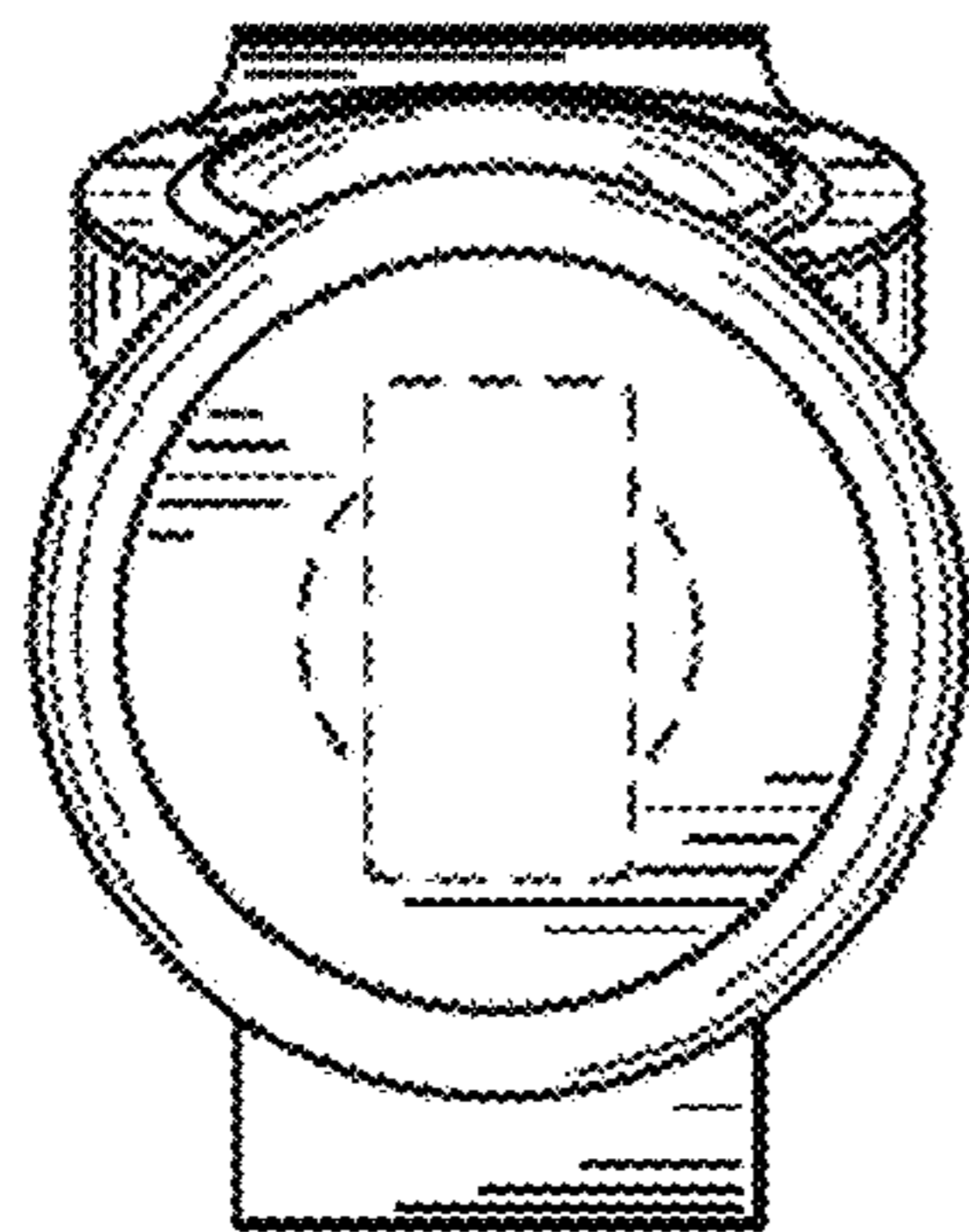


FIG. 2

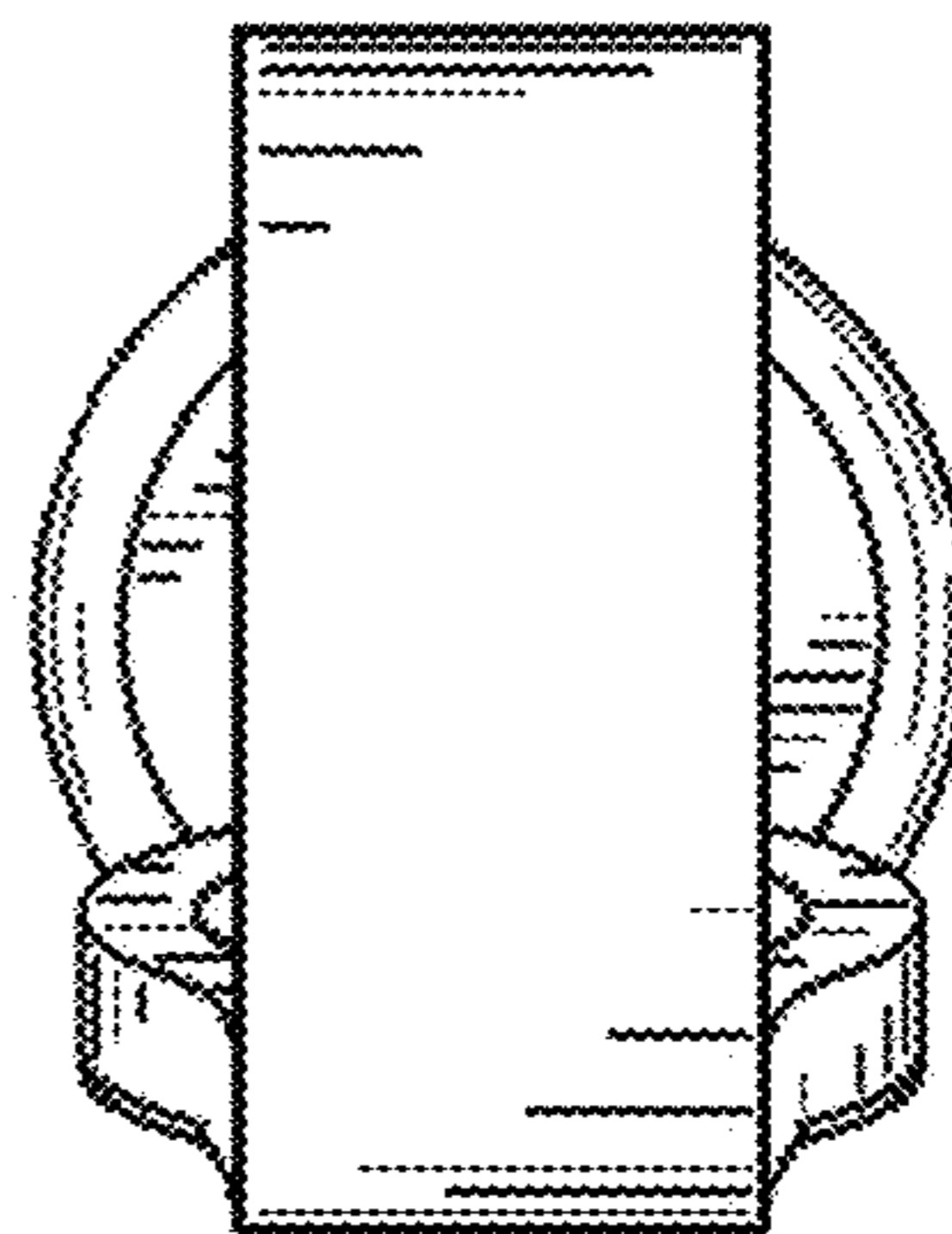


FIG. 3

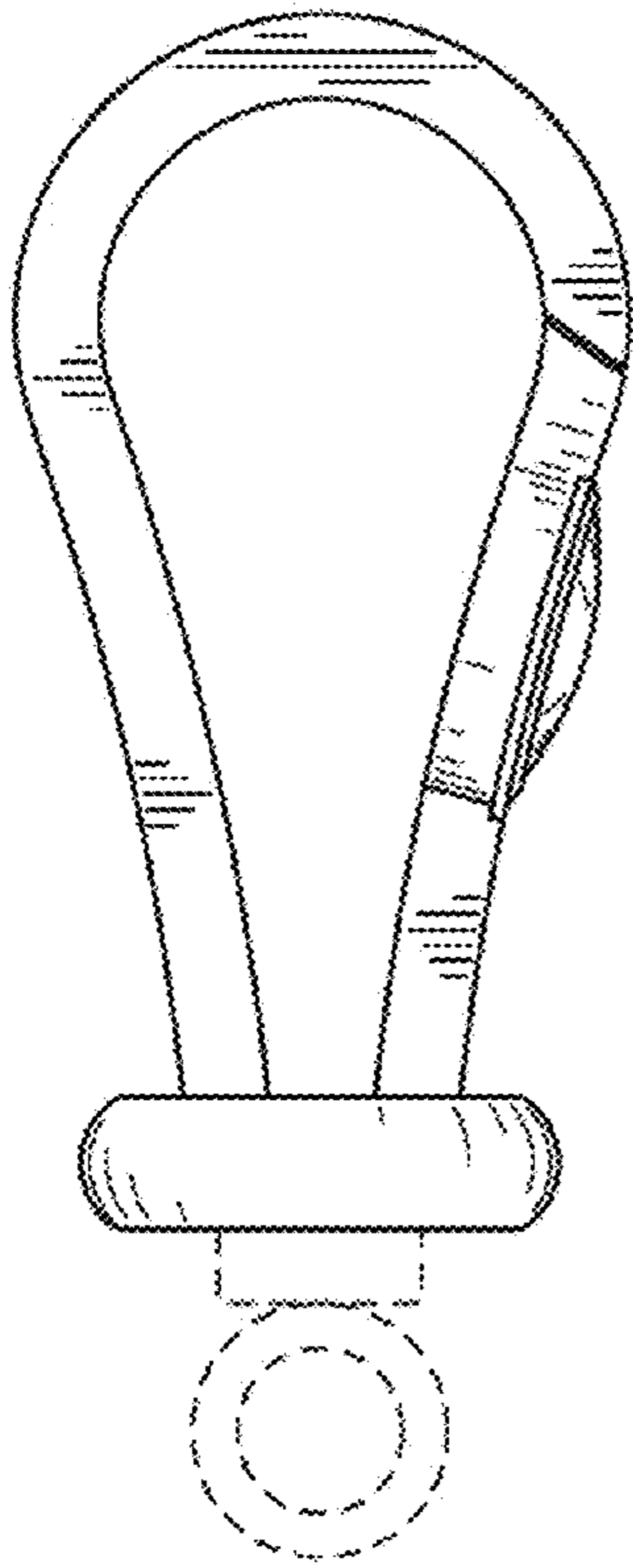


FIG. 4

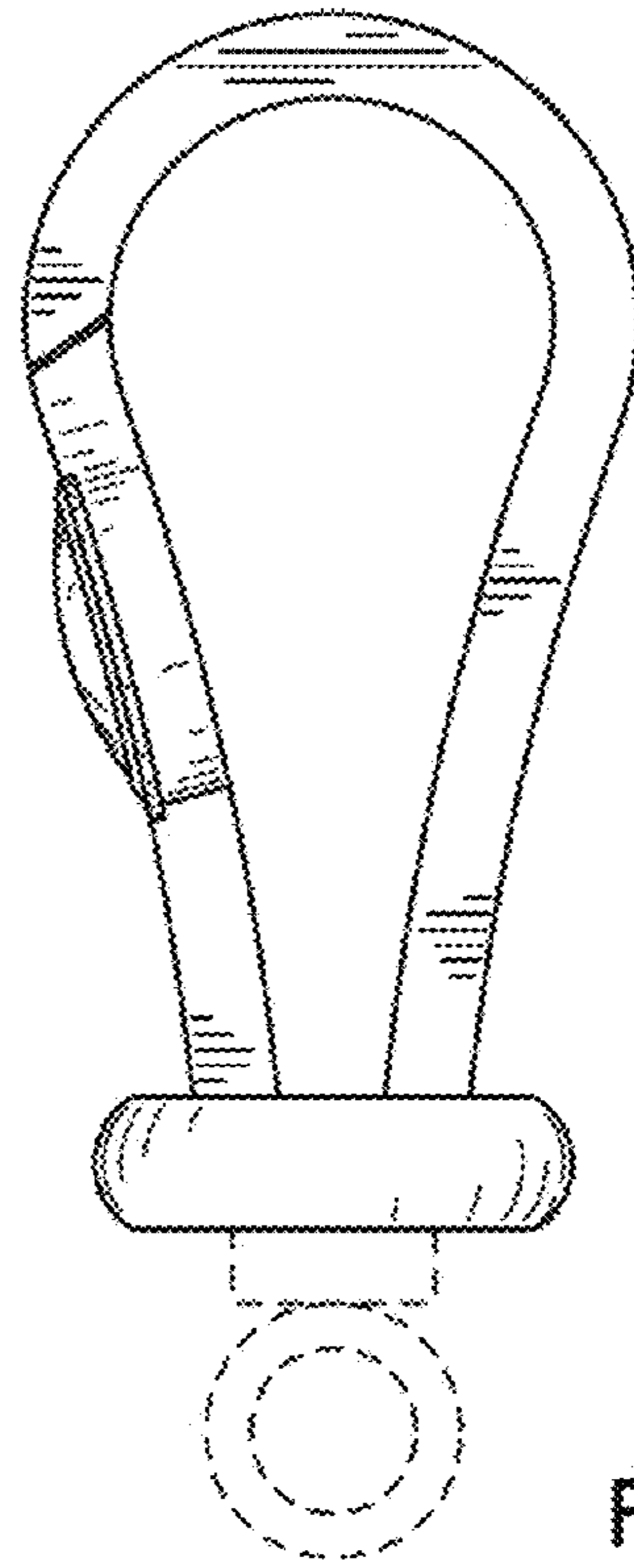


FIG. 5

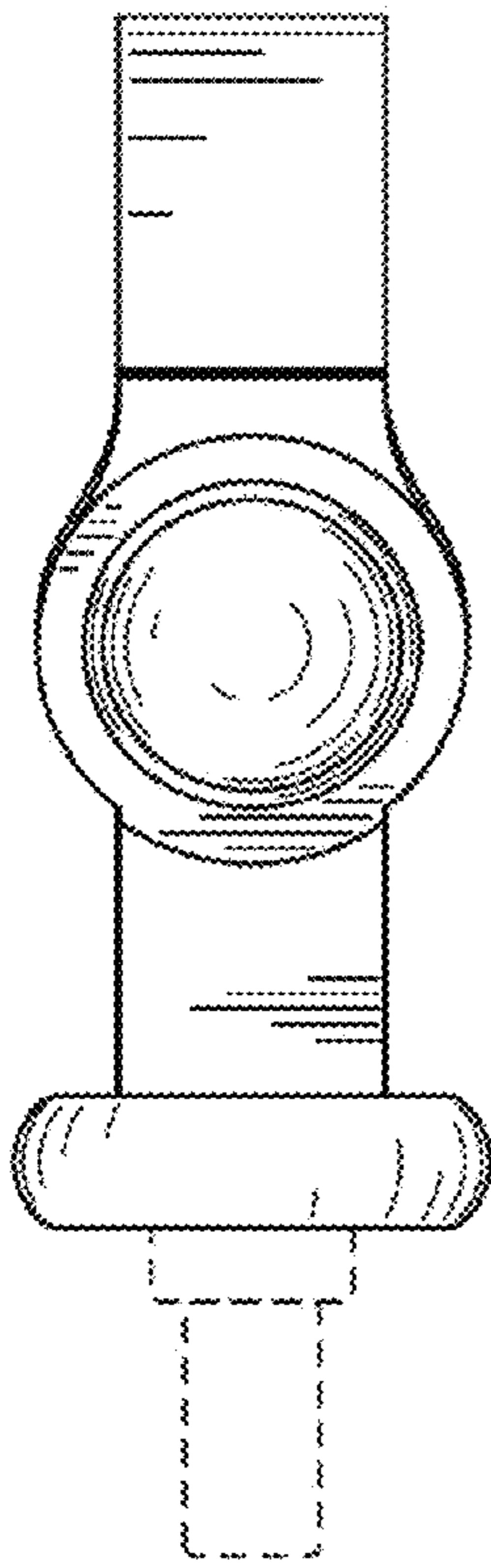


FIG. 6

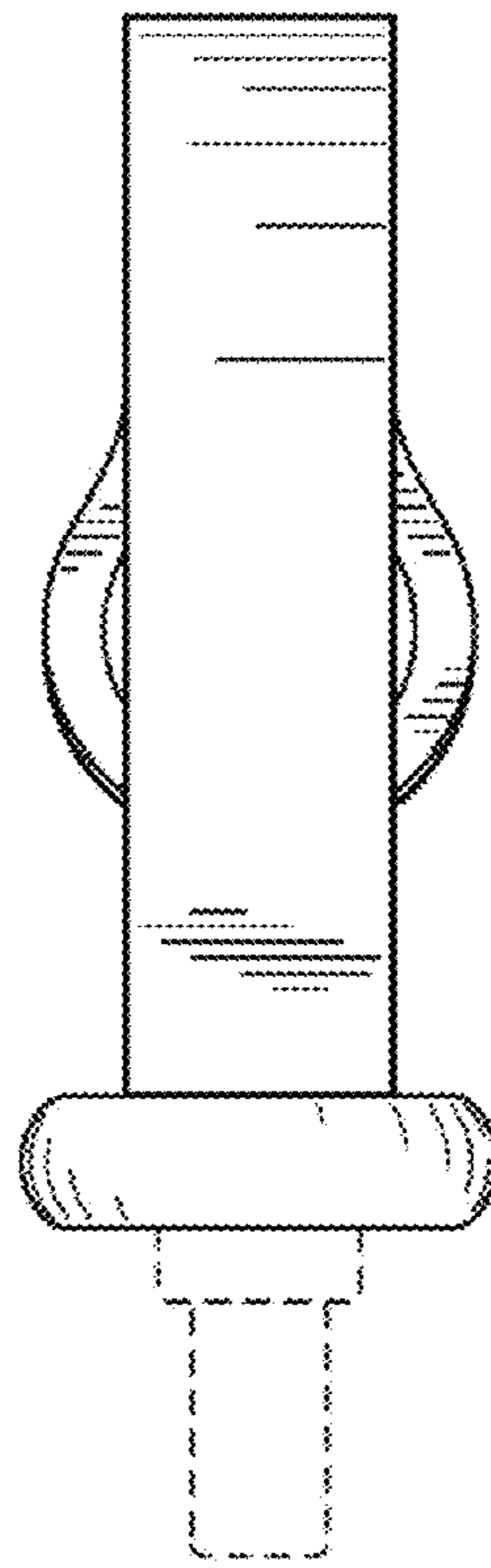


FIG. 7