



US00D778758S

(12) **United States Design Patent**
Ruffieux

(10) **Patent No.:** **US D778,758 S**

(45) **Date of Patent:** **** Feb. 14, 2017**

(54) **WATCH DIAL**

(71) Applicant: **Montblanc-Simplo GmbH**, Hamburg (DE)

(72) Inventor: **Leila Ruffieux**, Neuchâtel (CH)

(73) Assignee: **Montblanc-Simplo GmbH**, Hamburg (DE)

(**) Term: **14 Years**

(21) Appl. No.: **29/525,747**

(22) Filed: **May 1, 2015**

(51) **LOC (10) Cl.** **10-07**

(52) **U.S. Cl.**
USPC **D10/126**

(58) **Field of Classification Search**
USPC D10/1-29, 30-39, 45, 122-132; D11/44;
248/114; 224/165; 368/80, 223, 228, 281,
368/282, 288-290, 308, 319
CPC G04B 19/06; G04B 19/10; G04B 19/12;
G04B 19/08; G04B 19/103; G04B 19/106;
G04B 47/042; G04G 9/087
See application file for complete search history.

(56) **References Cited**

U.S. PATENT DOCUMENTS

D297,124 S *	8/1988	Grinberg	D10/126
D309,872 S *	8/1990	Grinberg	D10/126
D345,525 S *	3/1994	Dumas	D10/126
D564,930 S *	3/2008	Kume	D10/126

D579,371 S *	10/2008	Calvani	D10/126
D642,084 S *	7/2011	Garcia	D10/124
D642,488 S *	8/2011	Ruffieux	D10/126
D687,329 S *	8/2013	Hamel	D10/126
D688,580 S *	8/2013	Delhotal	D10/124
D701,134 S *	3/2014	Cerrato	D10/126
D752,468 S *	3/2016	Schneider	D10/126
D754,017 S *	4/2016	Muller	D10/126
2013/0028057 A1 *	1/2013	Nagatake	G04B 47/044 368/228
2014/0064045 A1 *	3/2014	Bonhoff	G04B 19/00 368/232
2015/0378310 A1 *	12/2015	Inoue	B29C 66/1122 368/232

* cited by examiner

Primary Examiner — Manpreet Matharu

Assistant Examiner — Keith Wilson

(74) *Attorney, Agent, or Firm* — Taft Stettinius & Hollister LLP

(57) **CLAIM**

The ornamental design for a watch dial, as shown and described.

DESCRIPTION

FIG. 1 is a front-side perspective view of the watch dial of the present invention.

FIG. 2 is a front side view of the watch dial of FIG. 1.

FIG. 3 is a rear side view of the watch dial of FIG. 1.

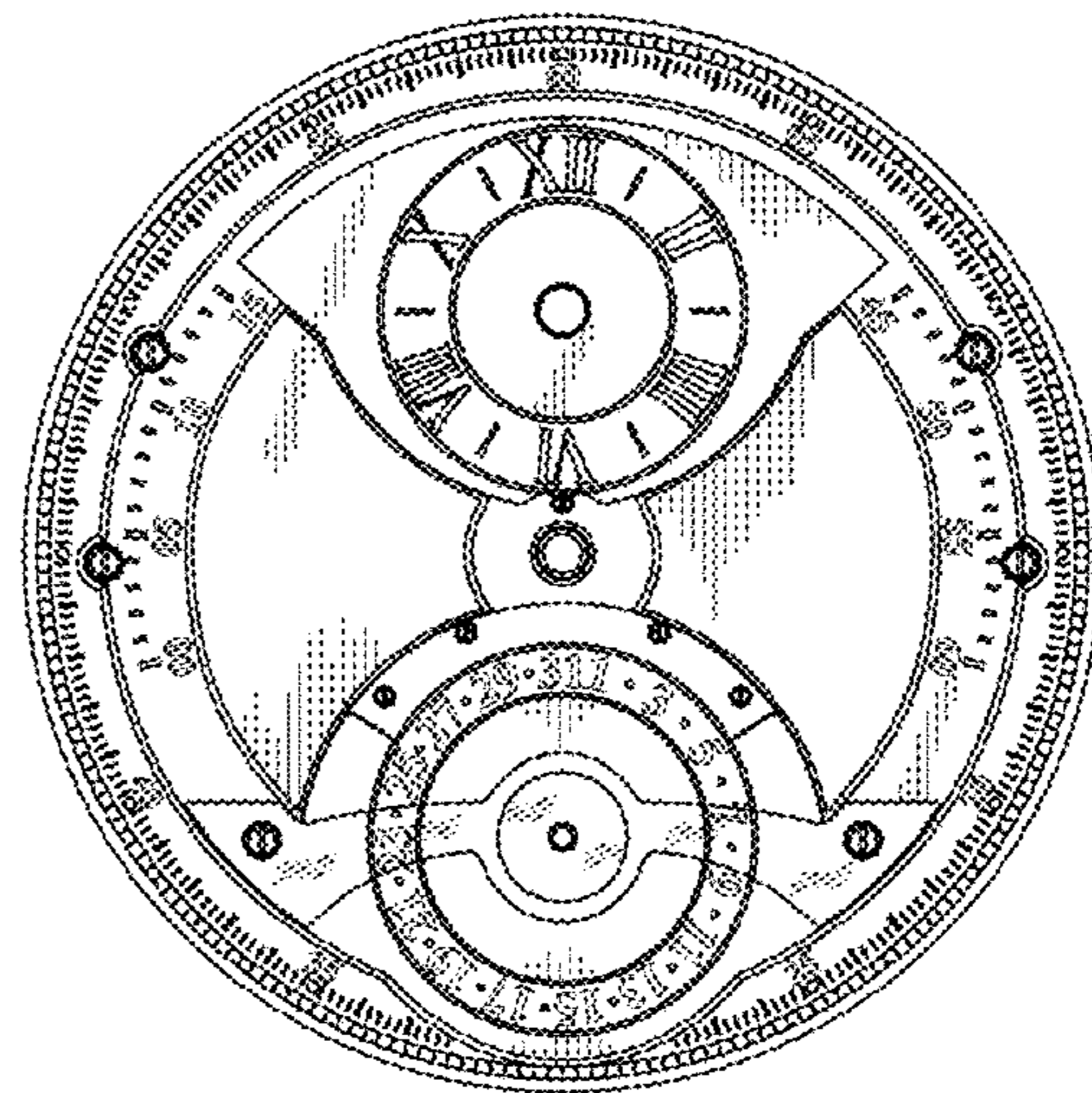
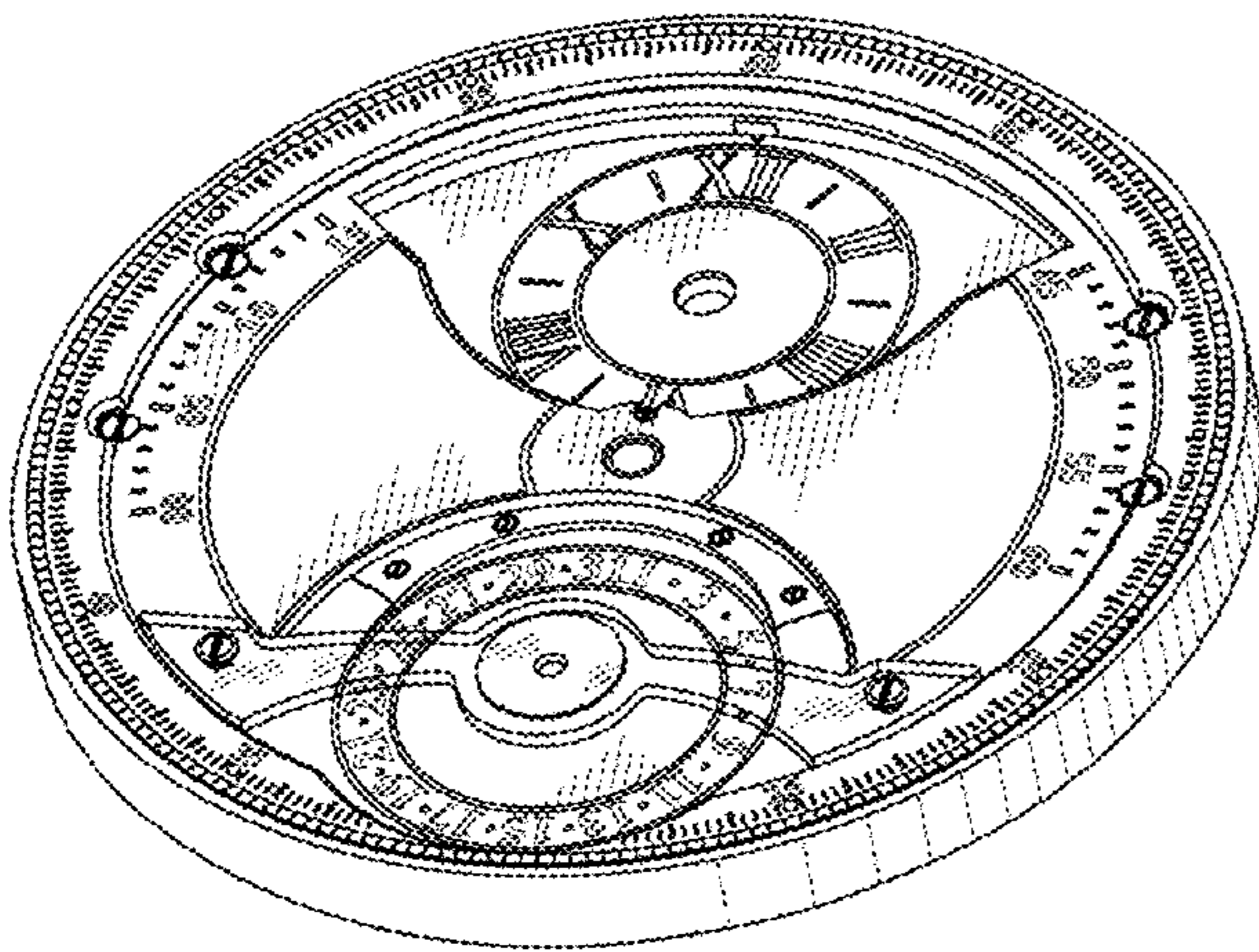
FIG. 4 is a top side view of the watch dial of FIG. 1.

FIG. 5 is a bottom side view of the watch dial of FIG. 1.

FIG. 6 is a right side view of the watch dial of FIG. 1; and,

FIG. 7 is a left side view of the watch dial of FIG. 1.

1 Claim, 3 Drawing Sheets



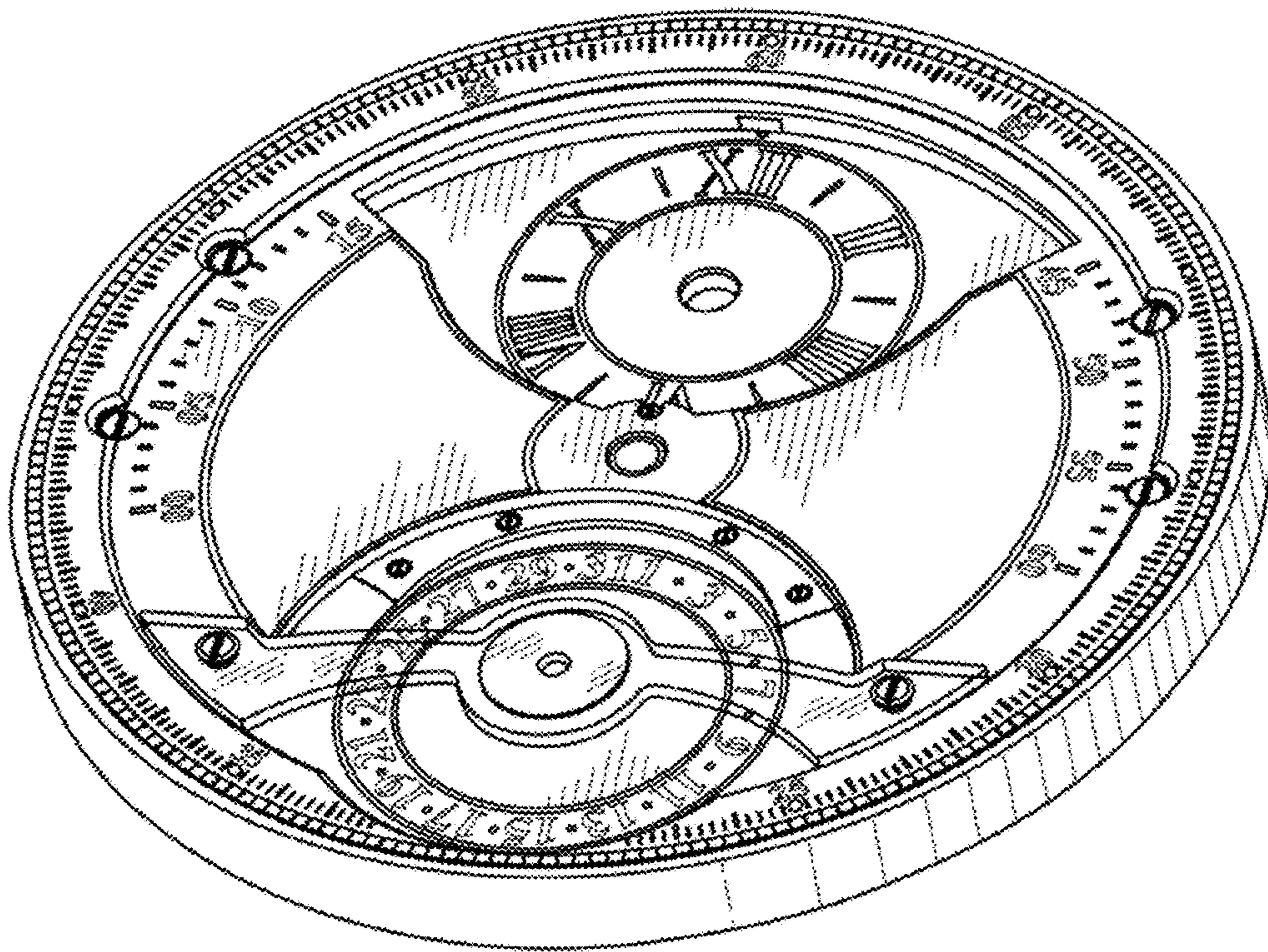


FIG. 1

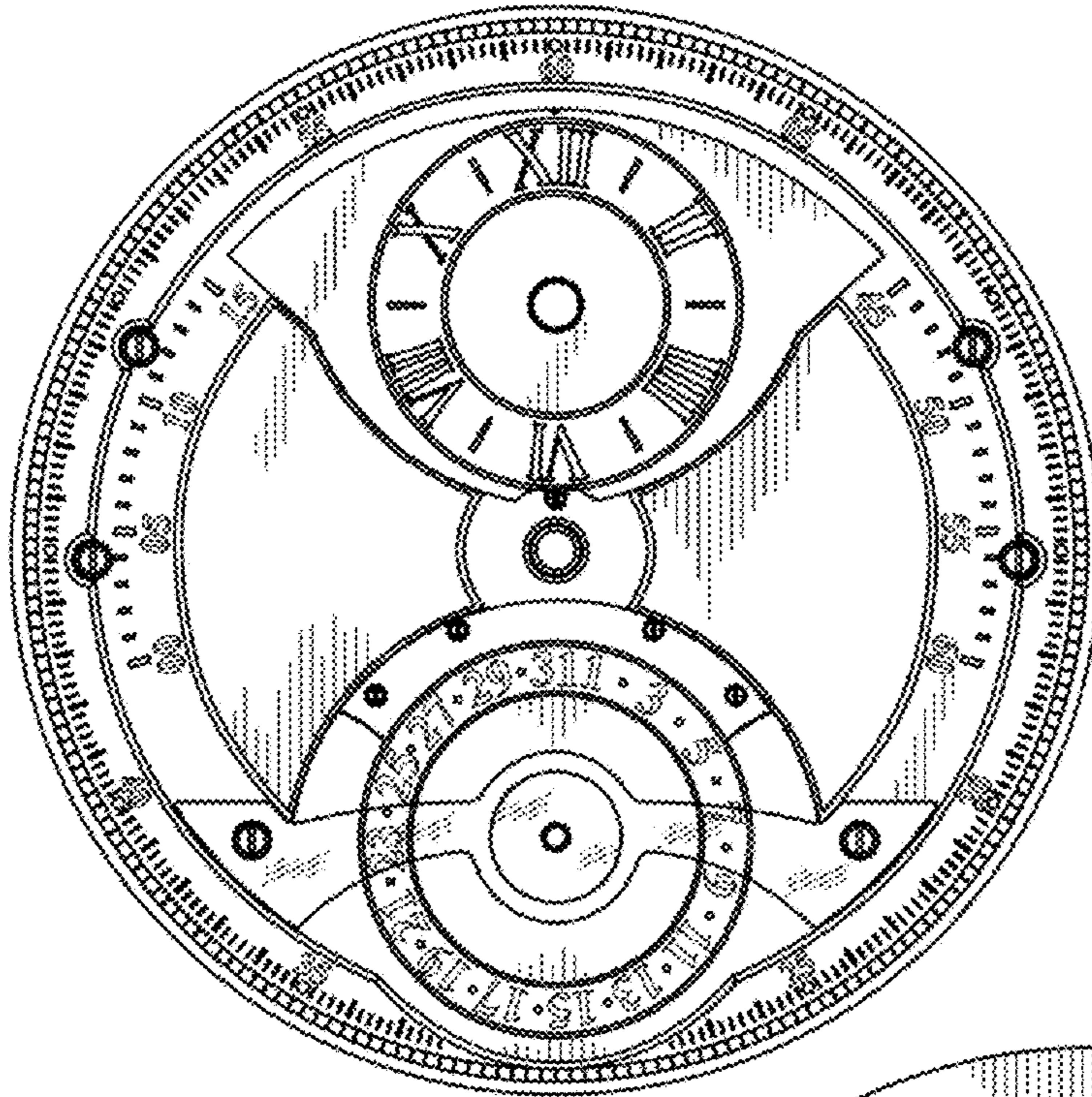


FIG. 2

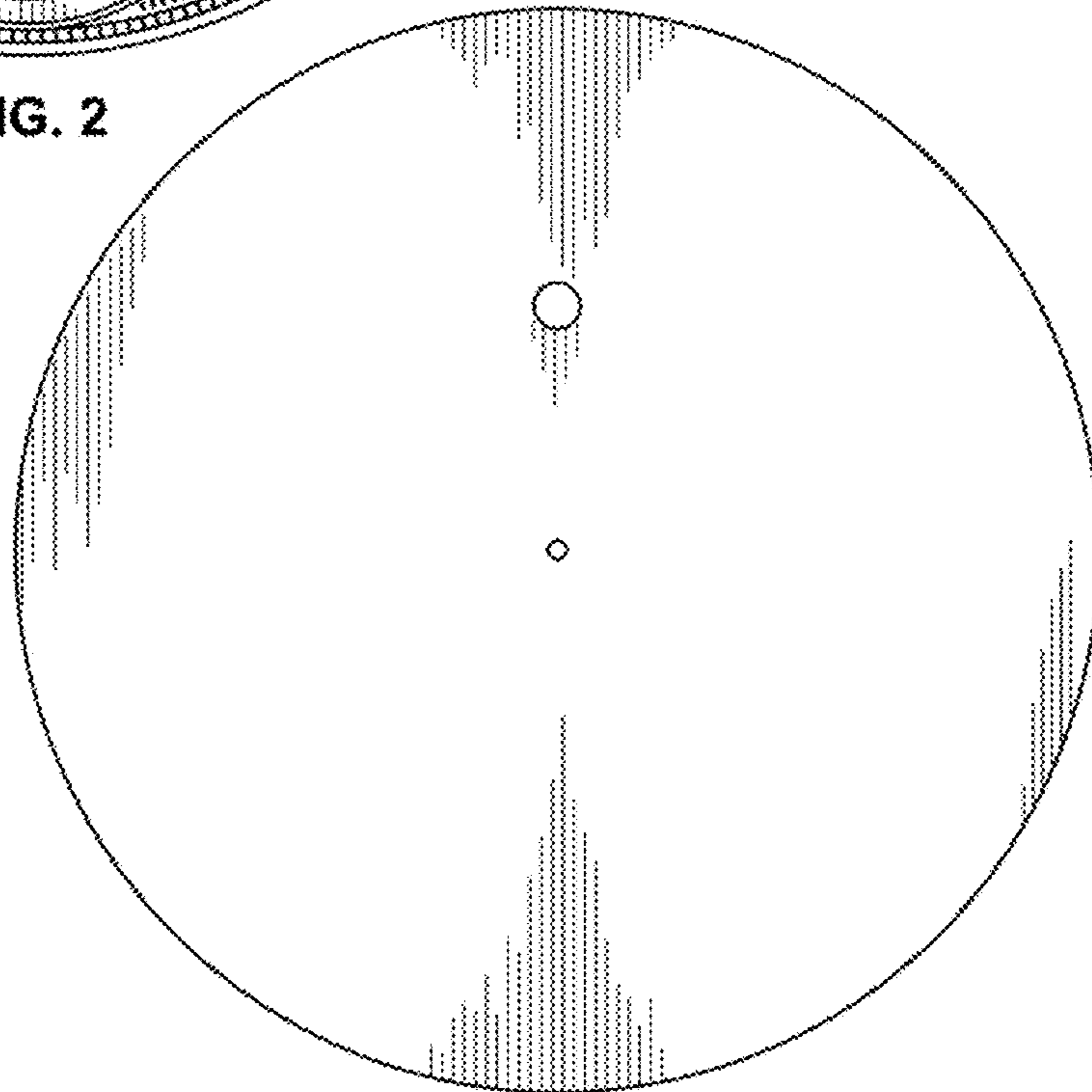


FIG. 3

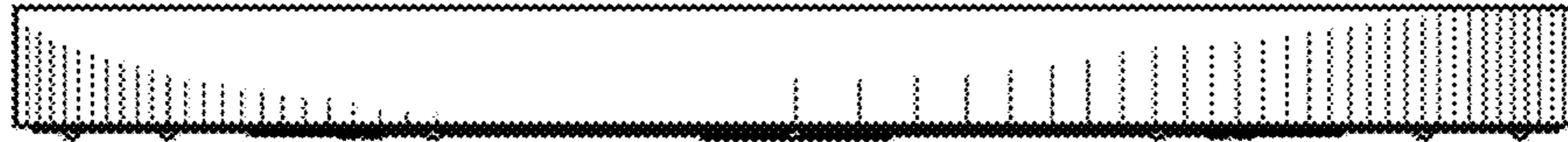


FIG. 4



FIG. 5

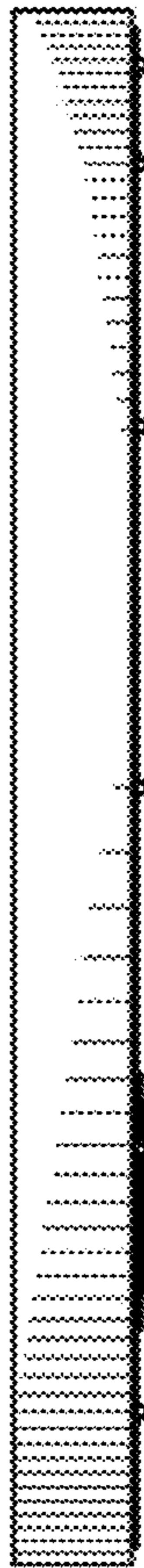


FIG. 6



FIG. 7