



US00D778756S

(12) **United States Design Patent** (10) **Patent No.:** **US D778,756 S**
Boisse et al. (45) **Date of Patent:** **** Feb. 14, 2017**

(54) **NOTIFICATION HORN**
(71) Applicant: **Mircom Technologies Ltd.**, Vaughan (CA)

D297,316 S * 8/1988 Mastro D10/106.2
D308,646 S * 6/1990 Grilk D10/106.1
D318,437 S * 7/1991 Kojima D10/106.1
7,375,617 B2 * 5/2008 Stirling G08B 7/06
340/331

(72) Inventors: **Brian Boisse**, Mercier (CA); **Mark Aranovich**, Richmond Hill (CA); **Jason Falbo**, Vaughan (CA)

* cited by examiner

Primary Examiner — George D Kirschbaum
(74) *Attorney, Agent, or Firm* — Dowell & Dowell, PC

(73) Assignee: **MIRCOM TECHNOLOGIES LTD.**, Vaughan, ON (CA)

(**) Term: **15 Years**

(57) **CLAIM**

The ornamental design for a notification horn, as shown and described.

(21) Appl. No.: **29/530,992**

(22) Filed: **Jun. 22, 2015**

DESCRIPTION

(51) **LOC (10) Cl.** **10-05**

(52) **U.S. Cl.**
USPC **D10/120**

(58) **Field of Classification Search**
USPC D10/106.1, 106.2, 109.2, 120, 116.1
CPC G08B 7/06
See application file for complete search history.

FIG. 1 is a front perspective view of a notification horn showing our new design;
FIG. 2 is top plan view thereof;
FIG. 3 is a bottom plan view thereof;
FIG. 4 is a front elevational view thereof;
FIG. 5 is a rear elevational view thereof;
FIG. 6 is a right side view thereof; and,
FIG. 7 is a left side view thereof.

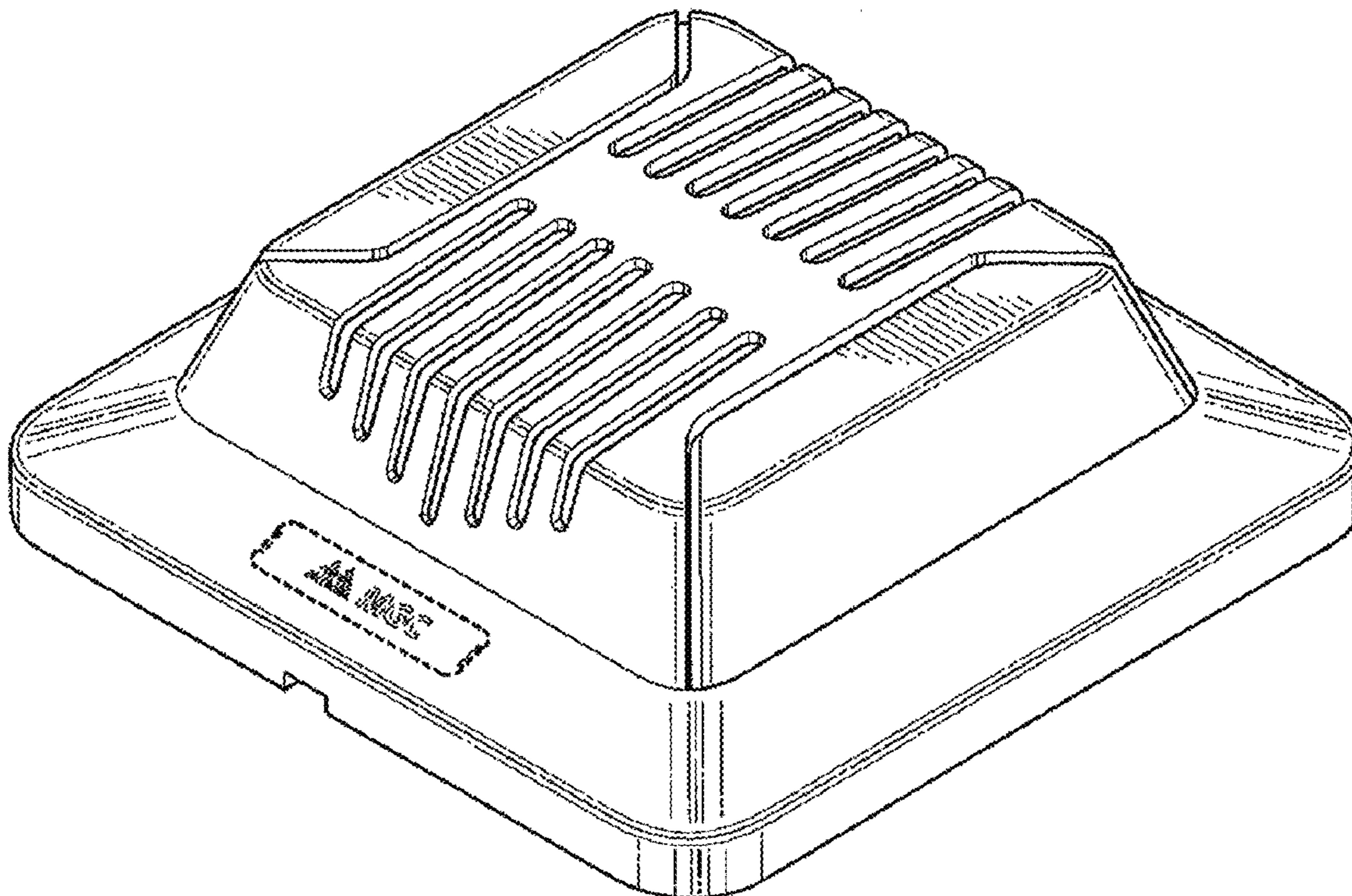
The portion of the drawing shown in dotted line form no part of the claimed invention.

(56) **References Cited**

U.S. PATENT DOCUMENTS

D256,897 S * 9/1980 Arima D10/106.2
D276,029 S * 10/1984 Skarman D10/106.2

1 Claim, 4 Drawing Sheets



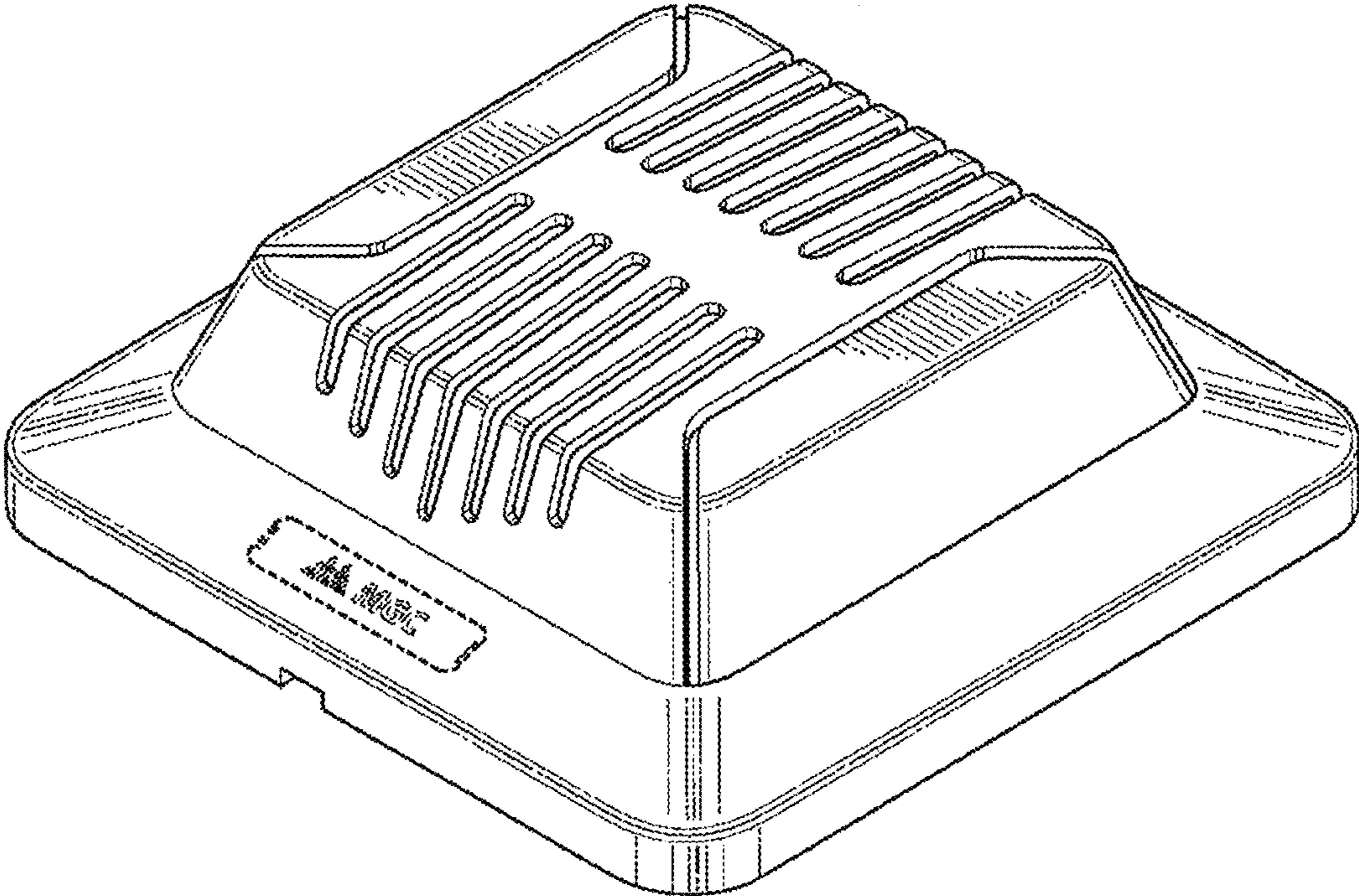


FIG. 1

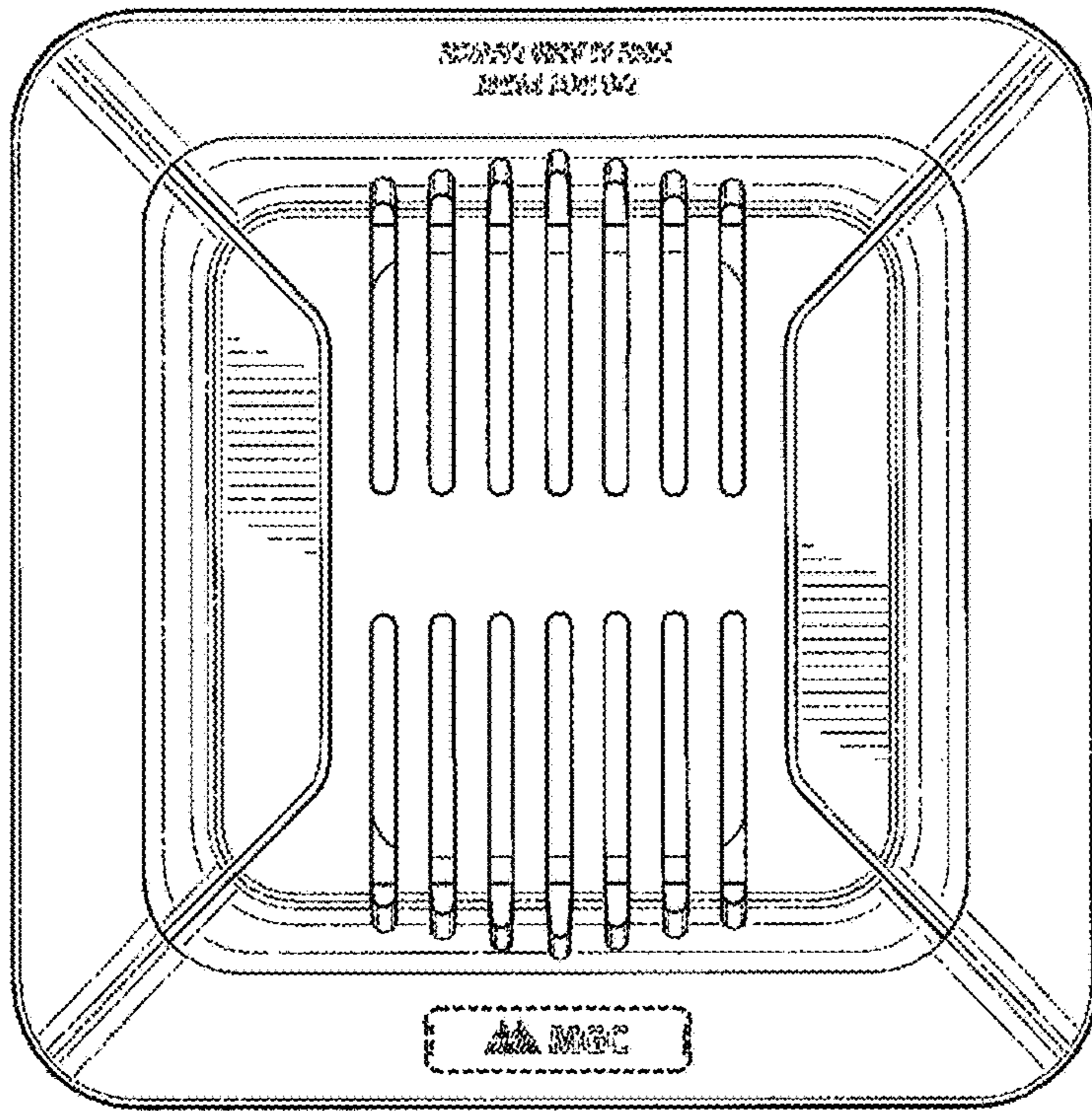


FIG. 2

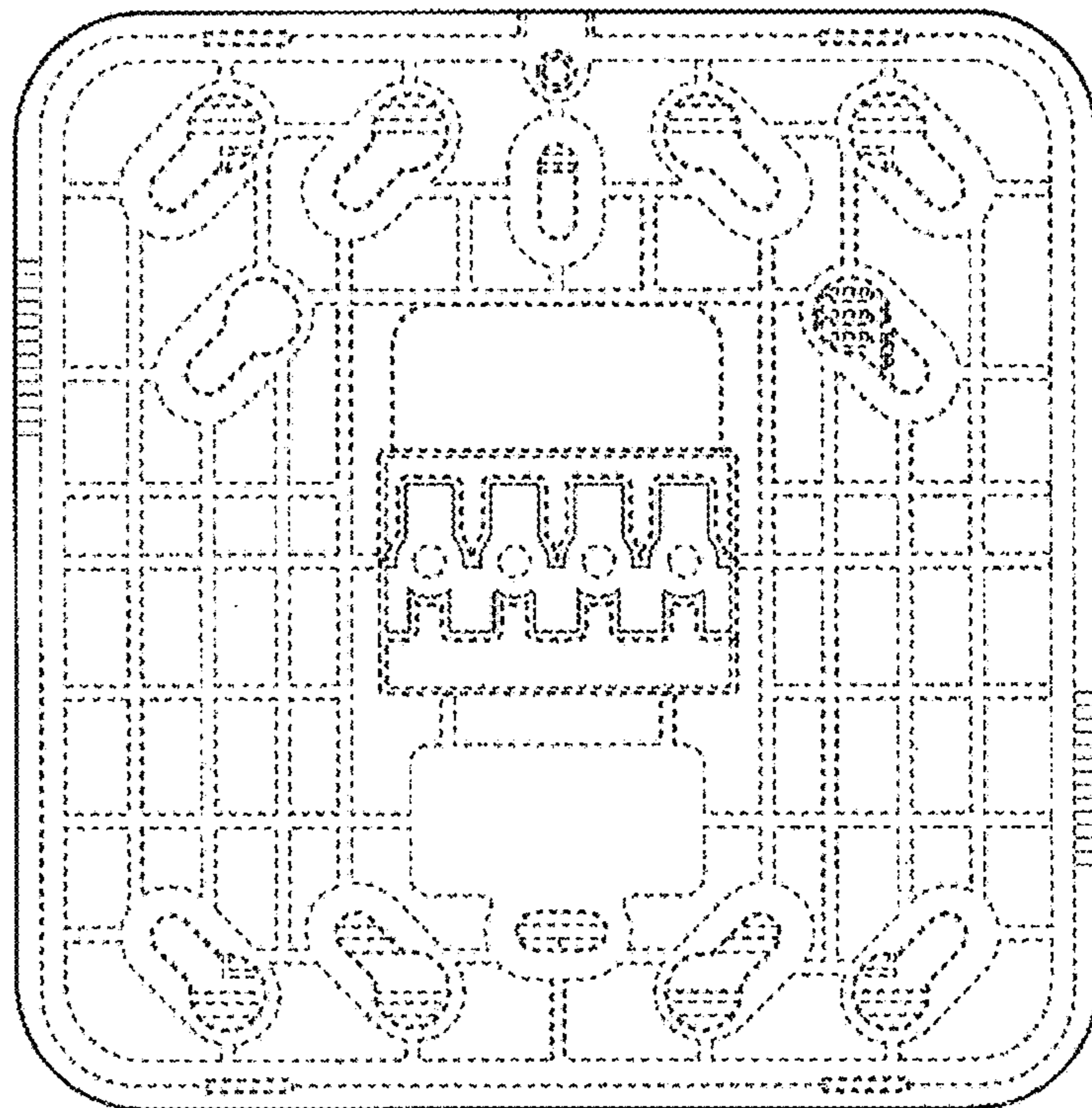


FIG. 3

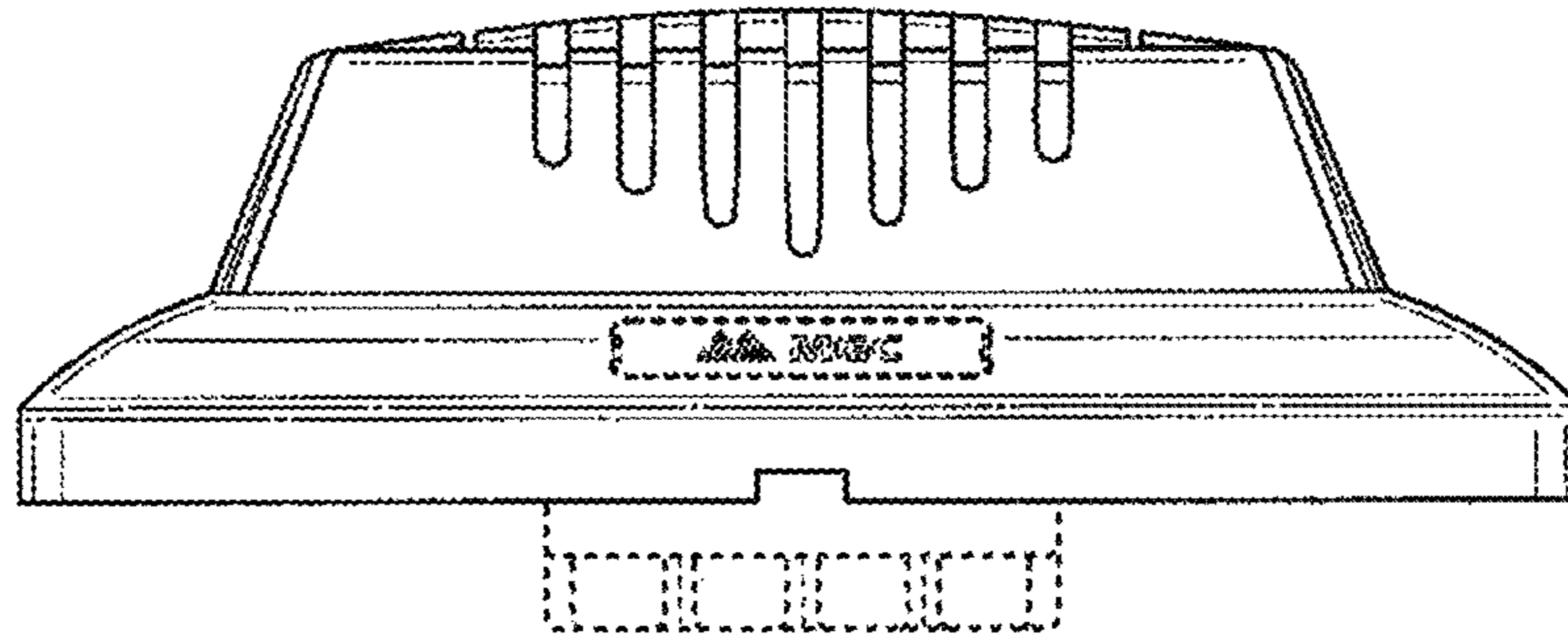


FIG. 4

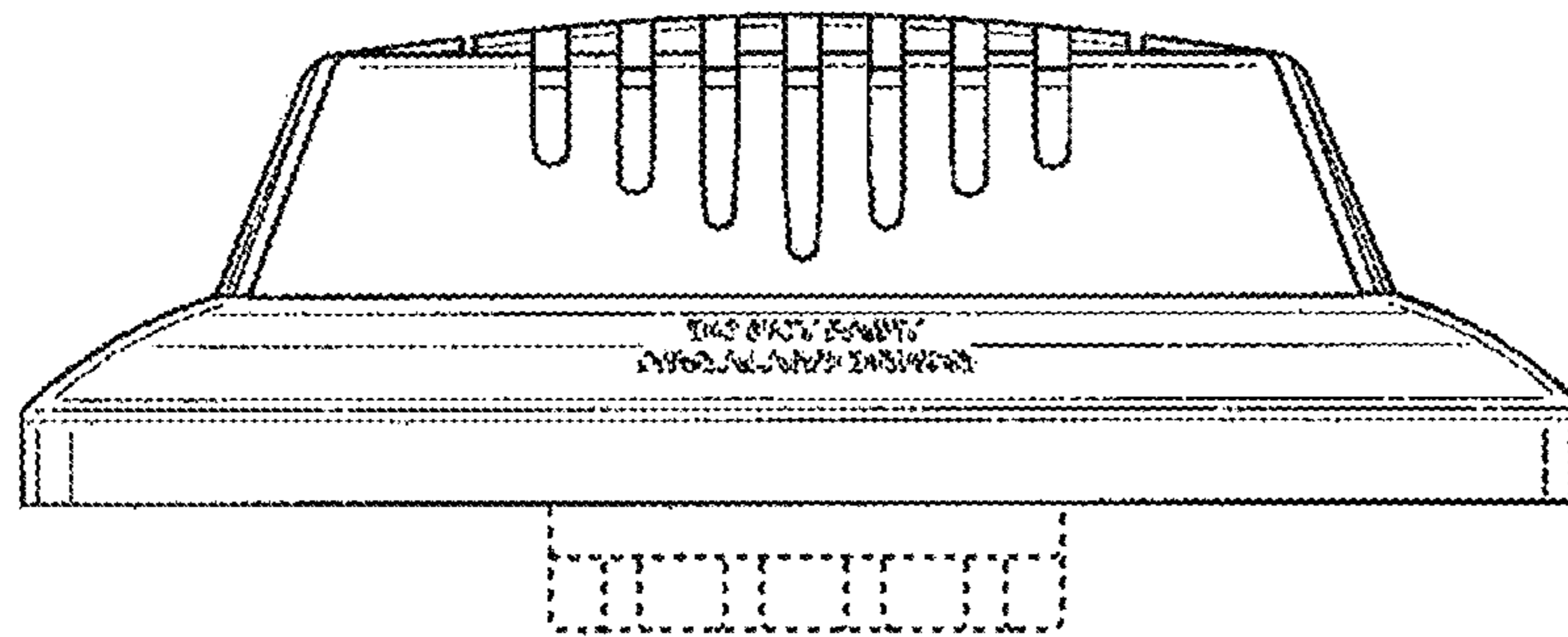


FIG. 5

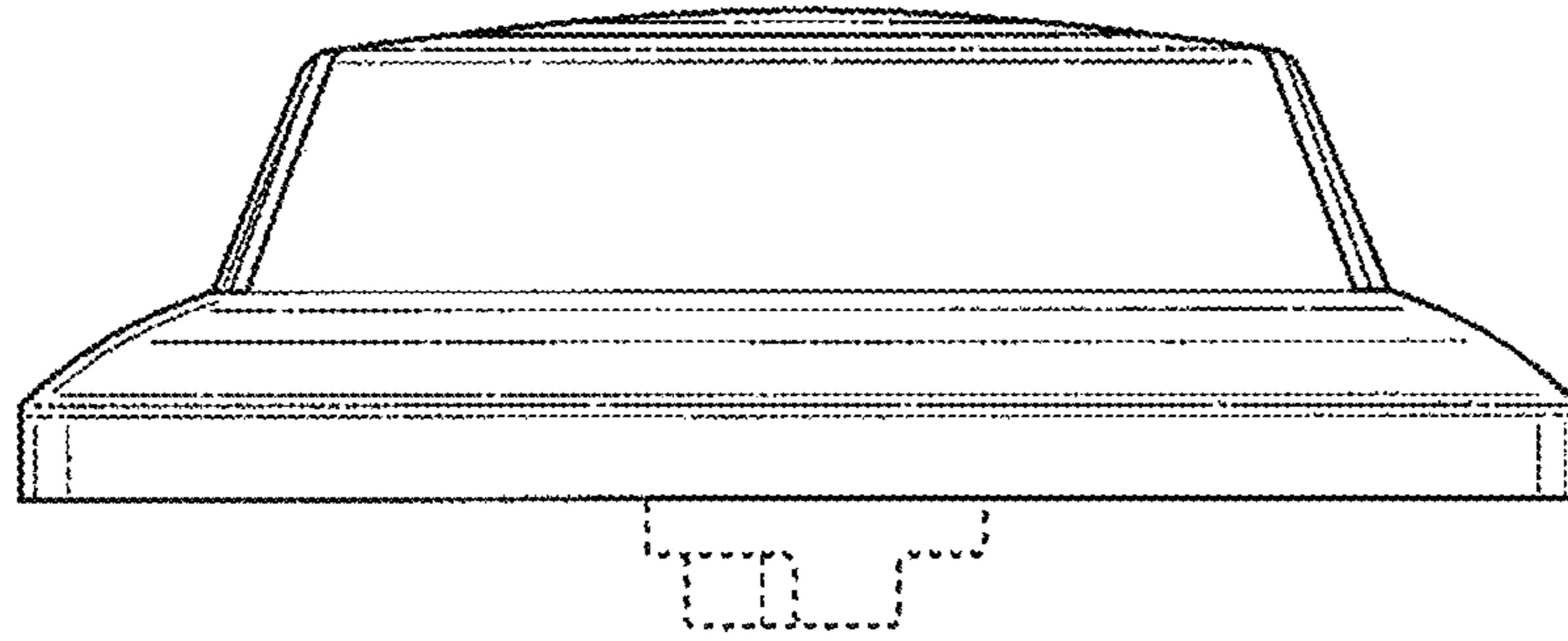


FIG. 6

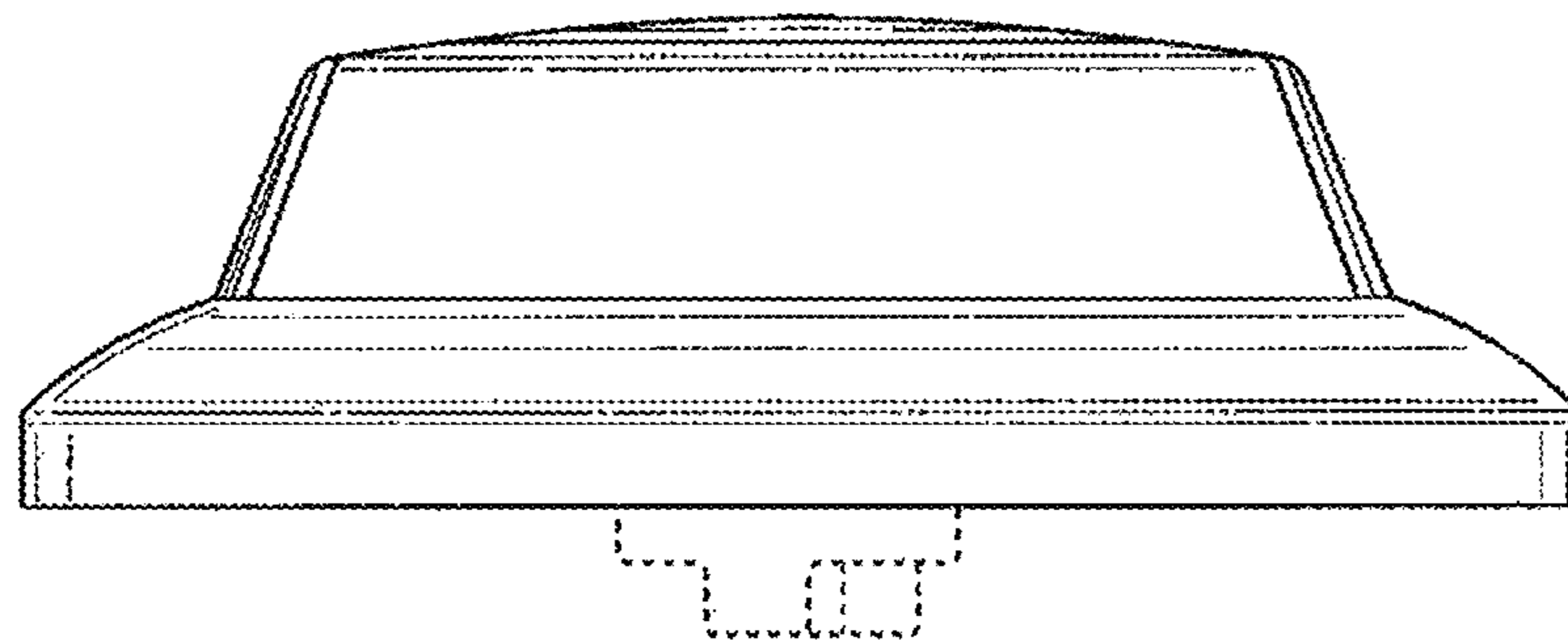


FIG. 7