



US00D778755S

(12) **United States Design Patent** (10) **Patent No.:** **US D778,755 S**
Yang (45) **Date of Patent:** **** Feb. 14, 2017**

(54) **WIRELESS DOORBELL CONTROL DEVICE**

(71) Applicant: **1Byone Products Inc.**, Ontario, CA
(US)

(72) Inventor: **Ruishi Yang**, Shenzhen (CN)

(**) Term: **15 Years**

(21) Appl. No.: **29/534,750**

(22) Filed: **Jul. 30, 2015**

(51) **LOC (10) Cl.** **10-05**

(52) **U.S. Cl.**

USPC **D10/118.2**

(58) **Field of Classification Search**

USPC D10/118.2

CPC A01K 15/02; G08B 1/08

See application file for complete search history.

(56) **References Cited**

U.S. PATENT DOCUMENTS

D199,875 S * 12/1964 Stevenson D10/118
D215,187 S * 9/1969 Doggart D10/118
D391,514 S * 3/1998 Ryan D10/118

6,606,030 B2 * 8/2003 Vena A01K 15/02
119/174

6,775,523 B2 * 8/2004 Bentley G08B 1/08
340/539.1

D636,287 S * 4/2011 Khor D10/118

* cited by examiner

Primary Examiner — George D Kirschbaum

(74) *Attorney, Agent, or Firm* — Tsz Lung Yeung

(57) **CLAIM**

The ornamental design for a wireless doorbell control device, substantially as shown and described.

DESCRIPTION

FIG. 1 is a perspective view of a wireless doorbell control device showing my new design.

FIG. 2 is a front end view thereof.

FIG. 3 is a rear end view thereof.

FIG. 4 is a right side view thereof.

FIG. 5 is a left side view thereof.

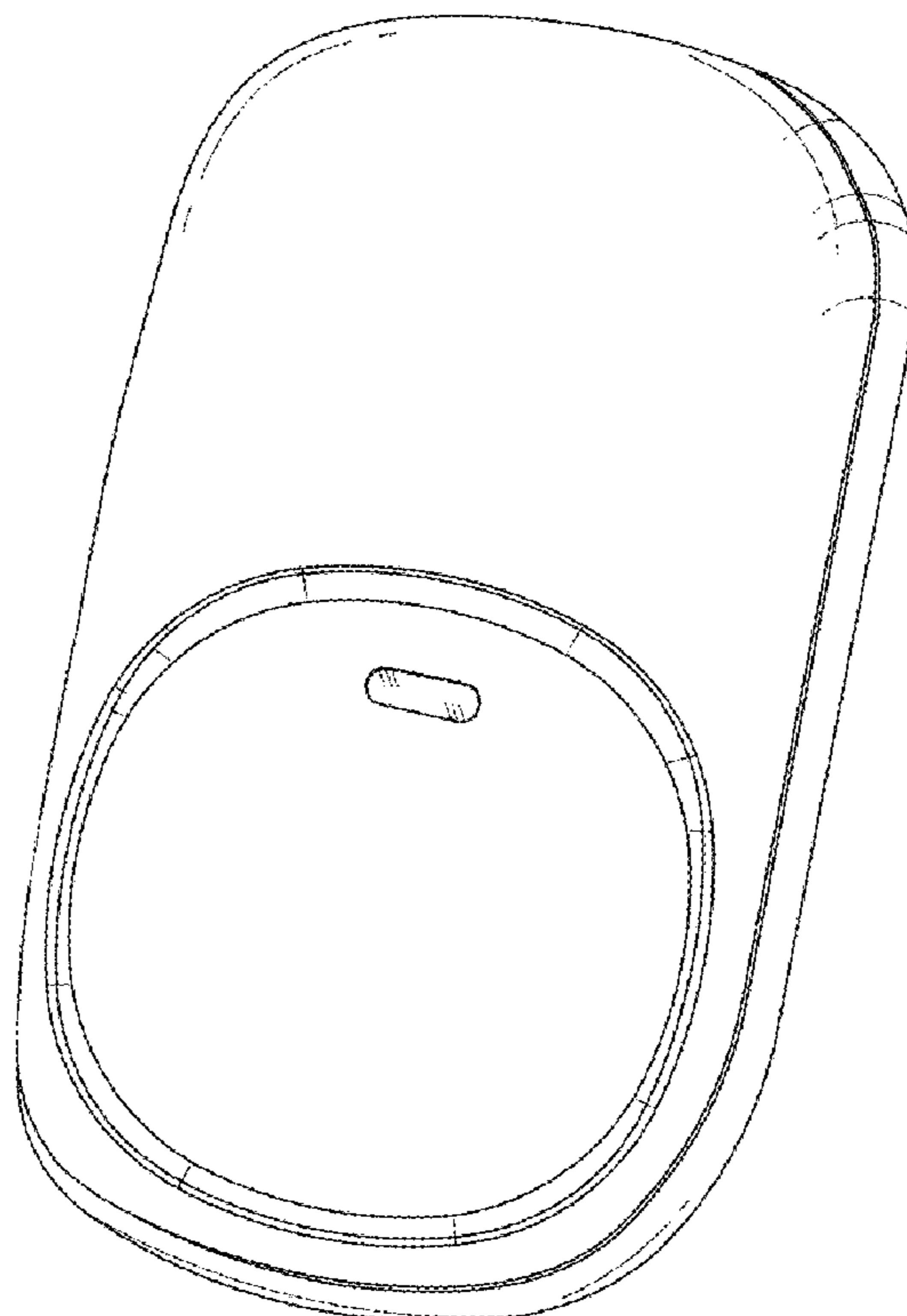
FIG. 6 is a top view thereof.

FIG. 7 is a bottom view thereof; and,

FIG. 8 is a top view of the wireless doorbell control device showing my new design in use with a paired doorbell receiver.

The broken line portions of FIG. 8 are included to show unclaimed subject matters only and form no part of the claimed design.

1 Claim, 6 Drawing Sheets



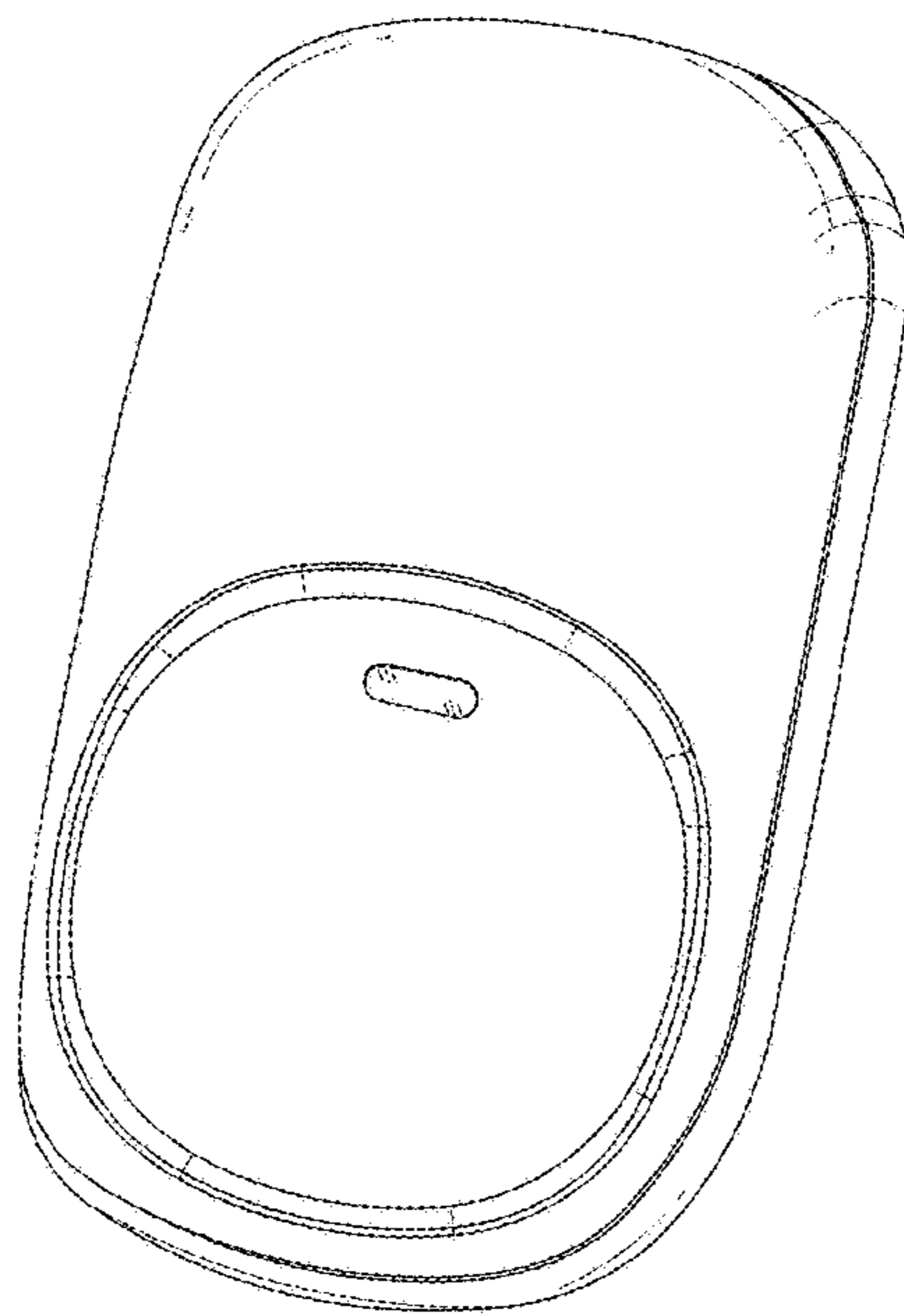


FIG.1

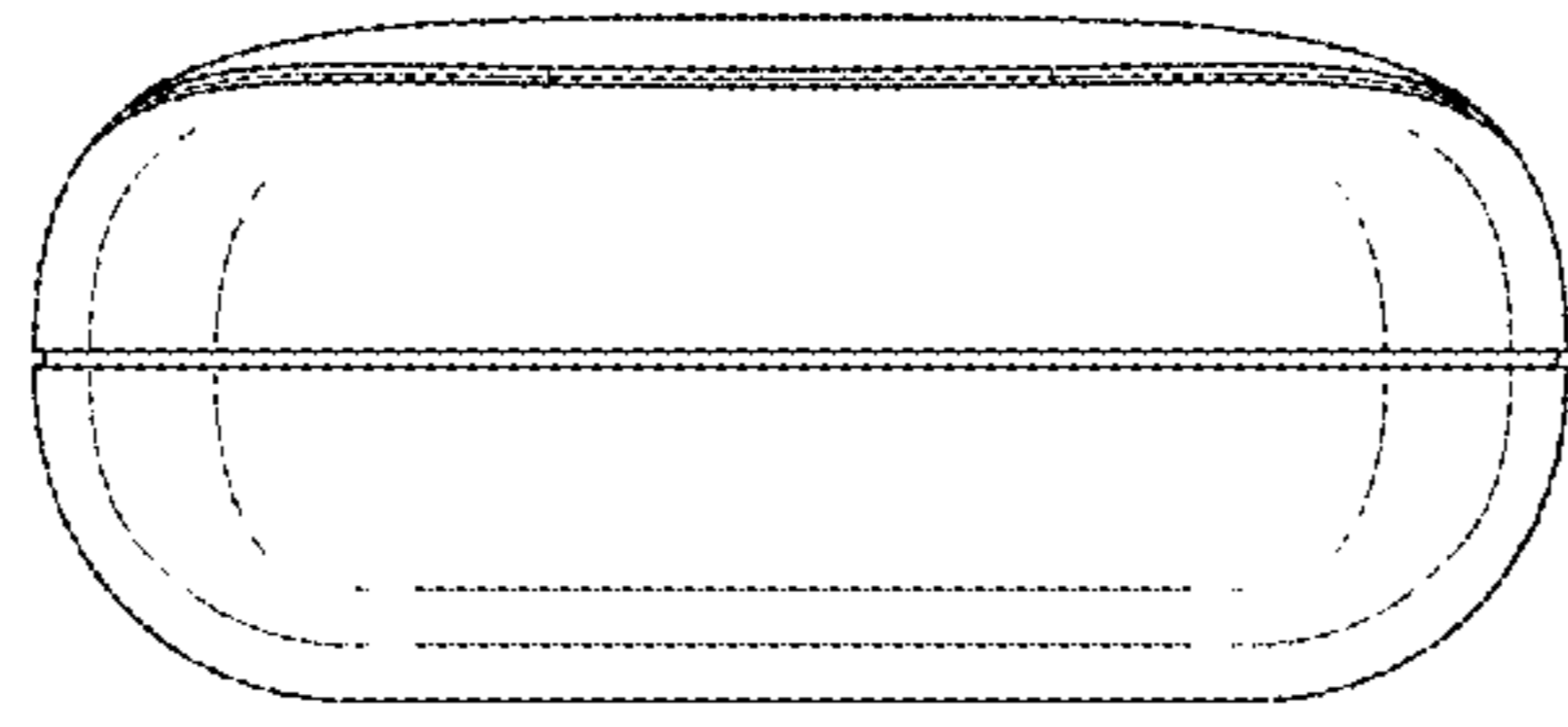


FIG. 2

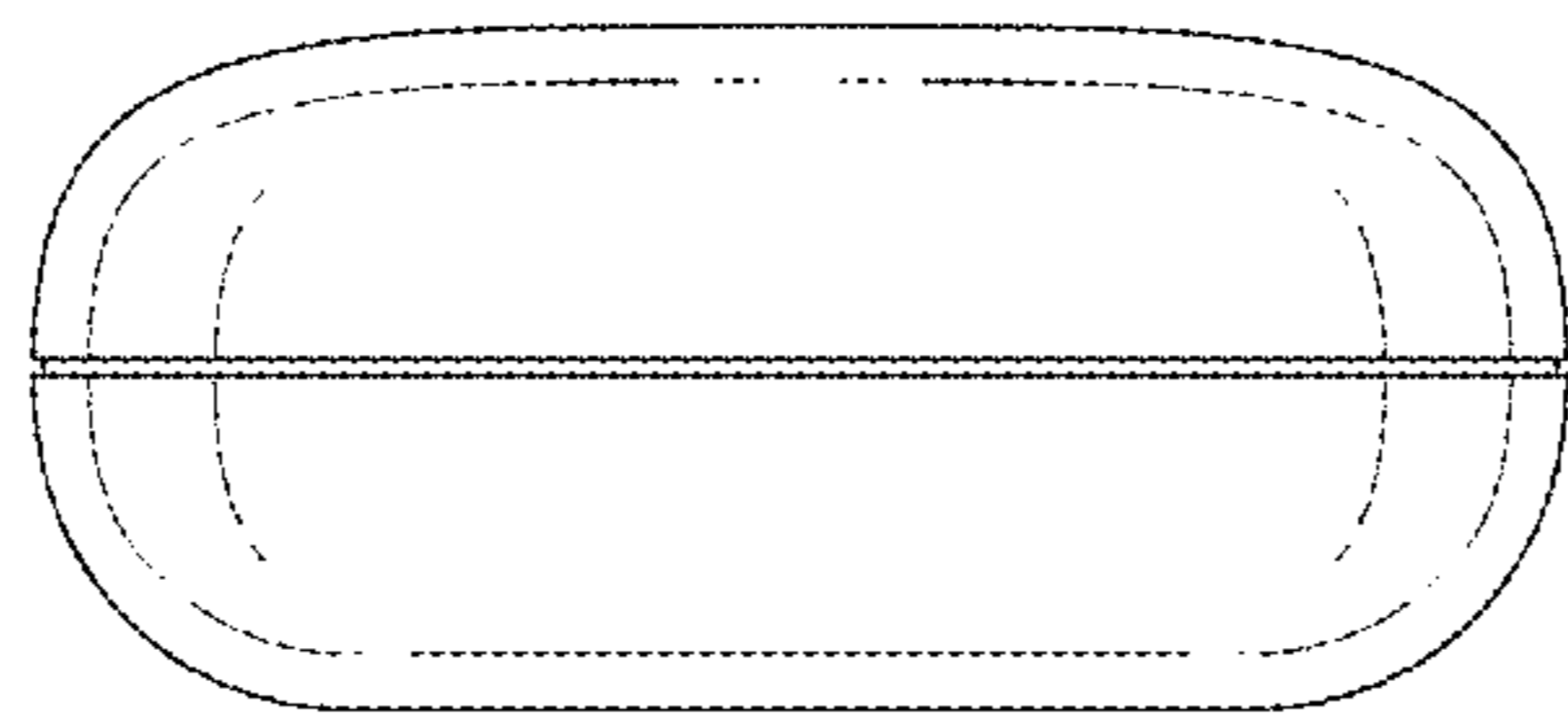


FIG. 3

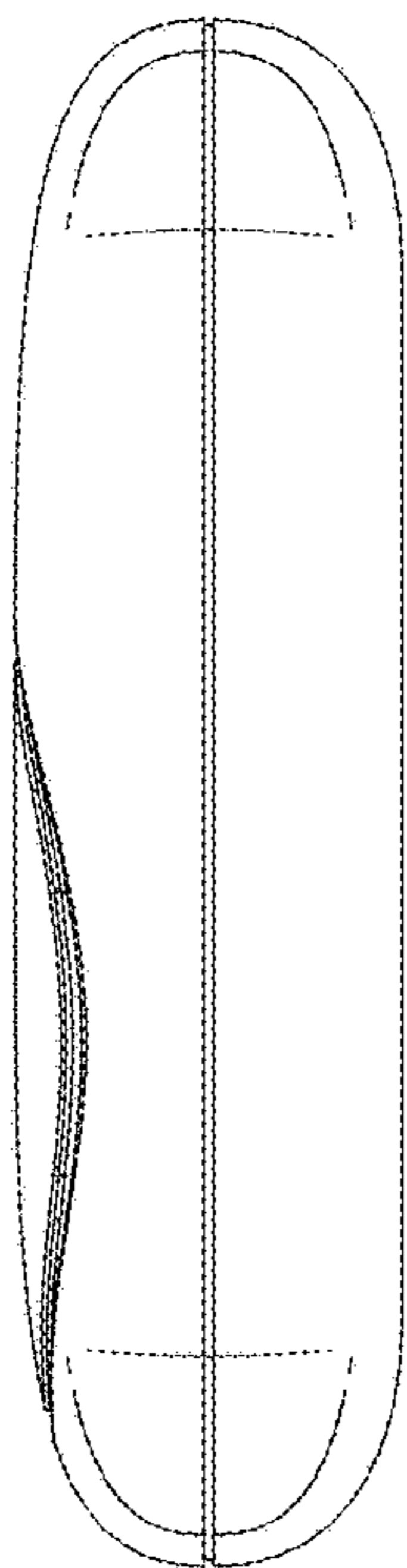


FIG. 4

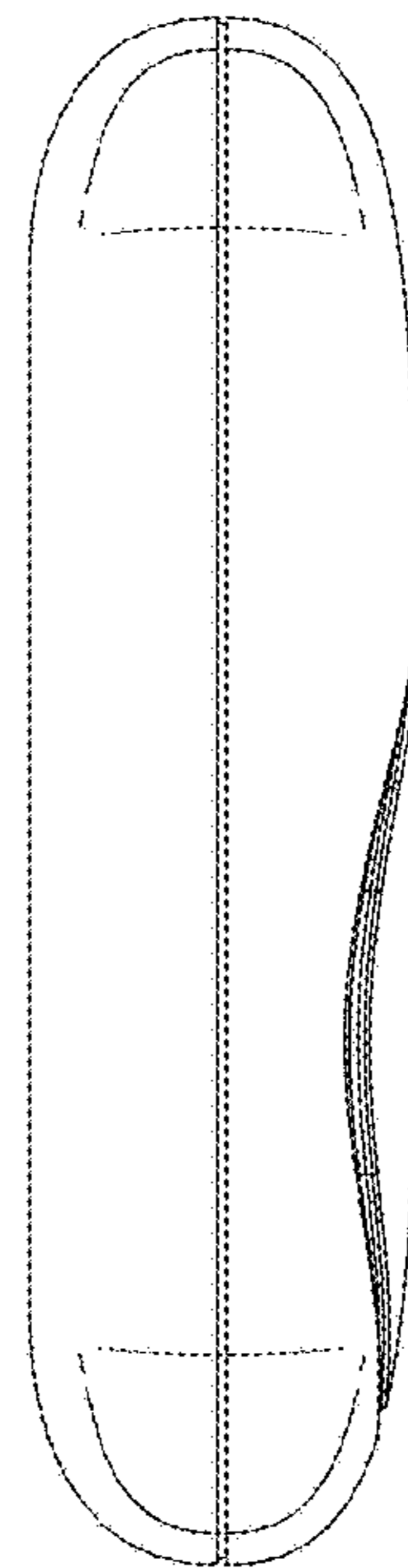


FIG. 5

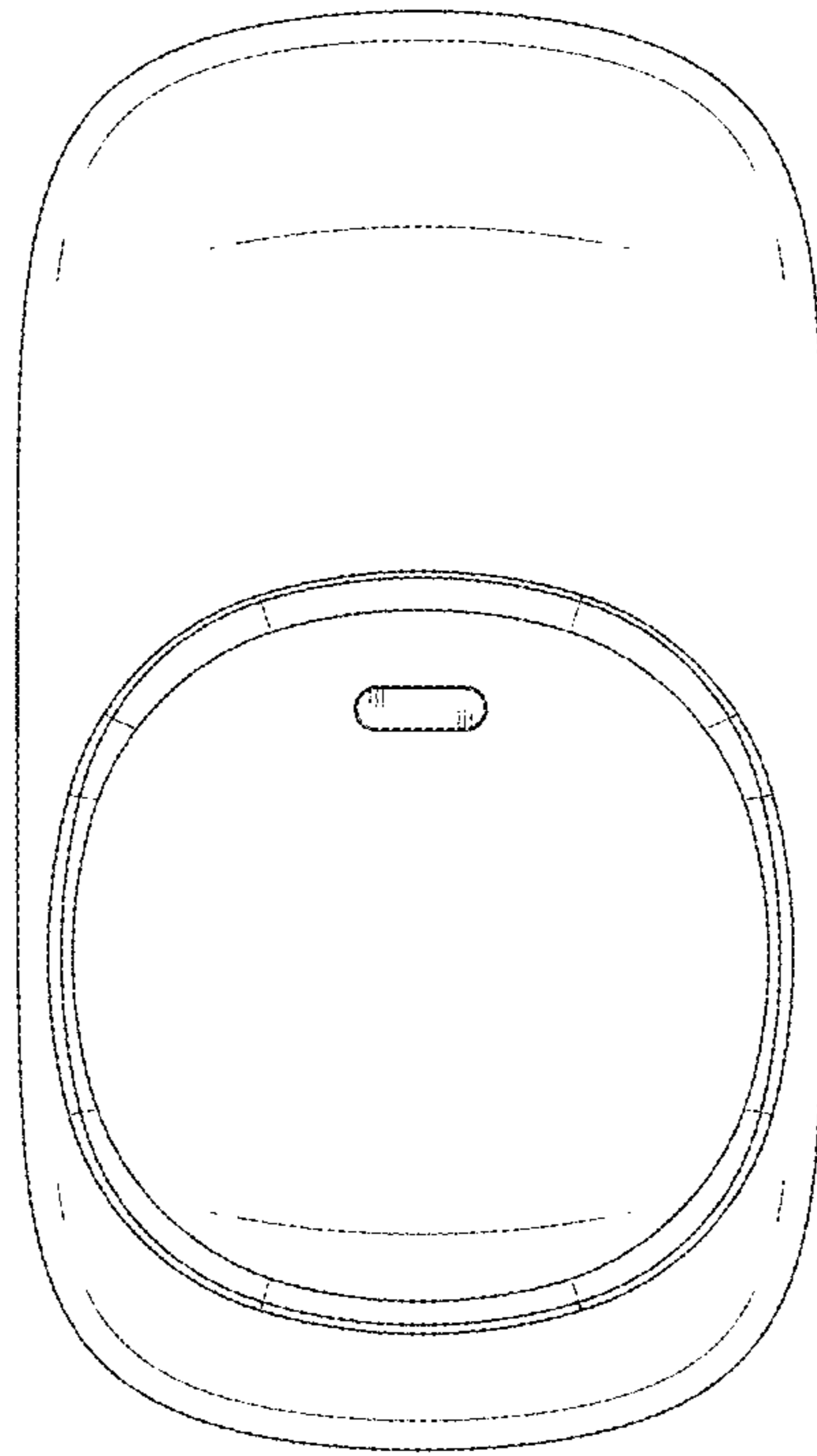


FIG.6

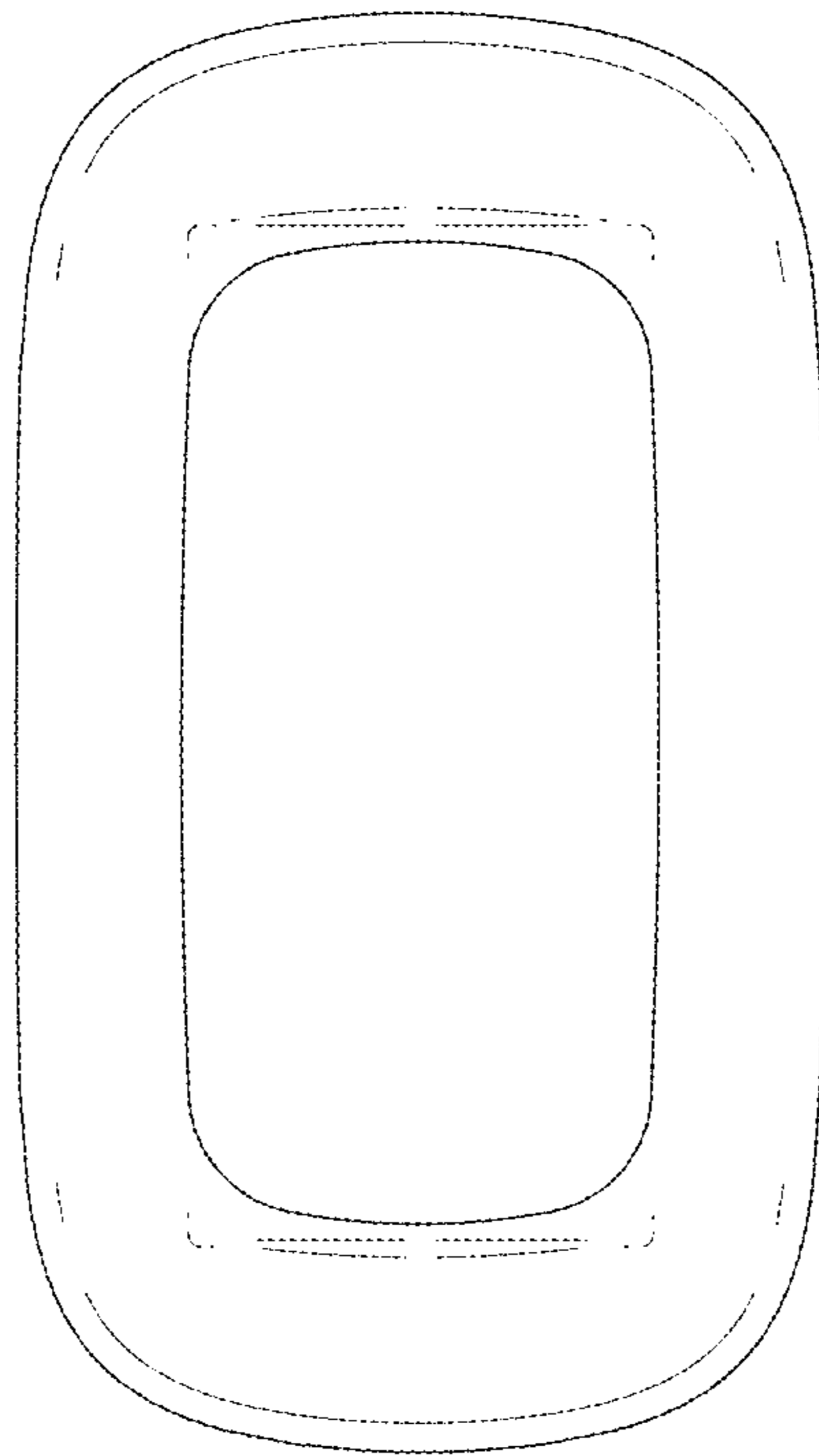


FIG.7

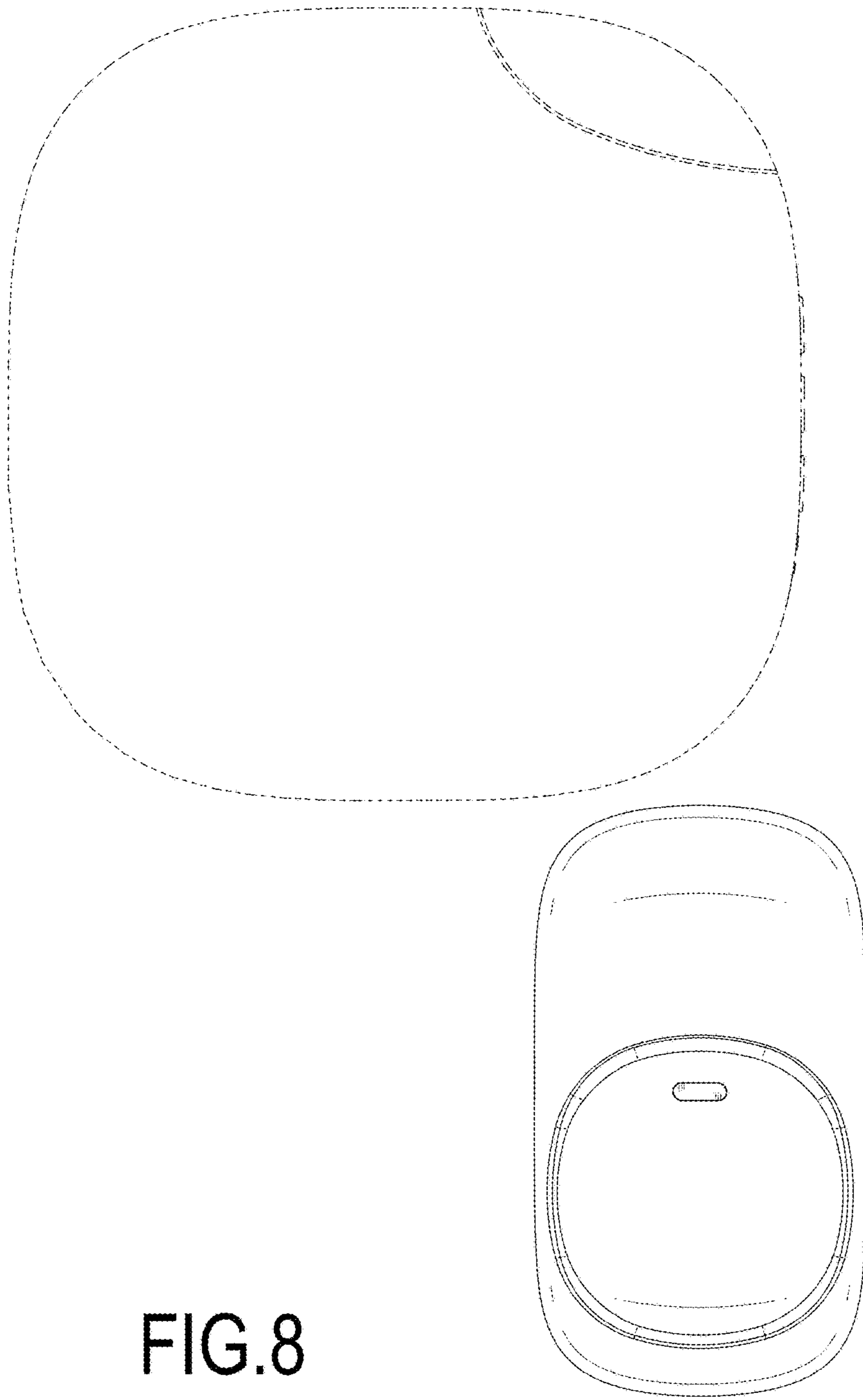


FIG. 8