



US00D778754S

(12) **United States Design Patent**
Yang

(10) **Patent No.:** **US D778,754 S**
(45) **Date of Patent:** **** Feb. 14, 2017**

(54) **WIRELESS DOORBELL RECEIVER**

(71) Applicant: **1Byone Products Inc.**, Ontario, CA
(US)

(72) Inventor: **Ruishi Yang**, Shenzhen (CN)

(**) Term: **15 Years**

(21) Appl. No.: **29/534,749**

(22) Filed: **Jul. 30, 2015**

(51) **LOC (10) Cl.** **10-05**

(52) **U.S. Cl.**
USPC **D10/118.2**

(58) **Field of Classification Search**
USPC **D10/118.2, 118**

(Continued)

(56) **References Cited**

U.S. PATENT DOCUMENTS

D199,875 S * 12/1964 Stevenson D10/118
D215,187 S * 9/1969 Doggart D10/118

(Continued)

Primary Examiner — George D Kirschbaum

(74) *Attorney, Agent, or Firm* — Tsz Lung Yeung

(57) **CLAIM**

The ornamental design for a wireless doorbell receiver, substantially as shown and described.

DESCRIPTION

FIG. 1 is a perspective view of a wireless doorbell receiver showing my new design.

FIG. 2 is a front end view thereof.

FIG. 3 is a right side elevation view thereof; the opposite side elevational view being identical thereto; and

FIG. 4 is an enlarged front elevational view thereof.

FIG. 5 is a left side view thereof.

FIG. 6 is a top view thereof.

FIG. 7 is a bottom view thereof.

FIG. 8 is a perspective view of another embodiment of a wireless doorbell receiver showing my new design.

FIG. 9 is a front end view thereof.

FIG. 10 is a rear end view thereof.

FIG. 11 is a right side view thereof.

FIG. 12 is a left side view thereof.

FIG. 13 is a top view thereof.

FIG. 14 is a bottom view thereof.

FIG. 15 is a perspective view of another embodiment of a wireless doorbell receiver showing my new design.

FIG. 16 is a front end view thereof.

FIG. 17 is a rear end view thereof.

FIG. 18 is a right side view thereof.

FIG. 19 is a left side view thereof.

FIG. 20 is a top view thereof.

FIG. 21 is a bottom view thereof.

FIG. 22 is a top view of the wireless doorbell receiver showing my new design in use with a paired doorbell push button.

FIG. 23 is a perspective view of another embodiment of a wireless doorbell receiver showing my new design.

FIG. 24 is a front end view thereof.

FIG. 25 is a rear end view thereof.

FIG. 26 is a right side view thereof.

FIG. 27 is a left side view thereof.

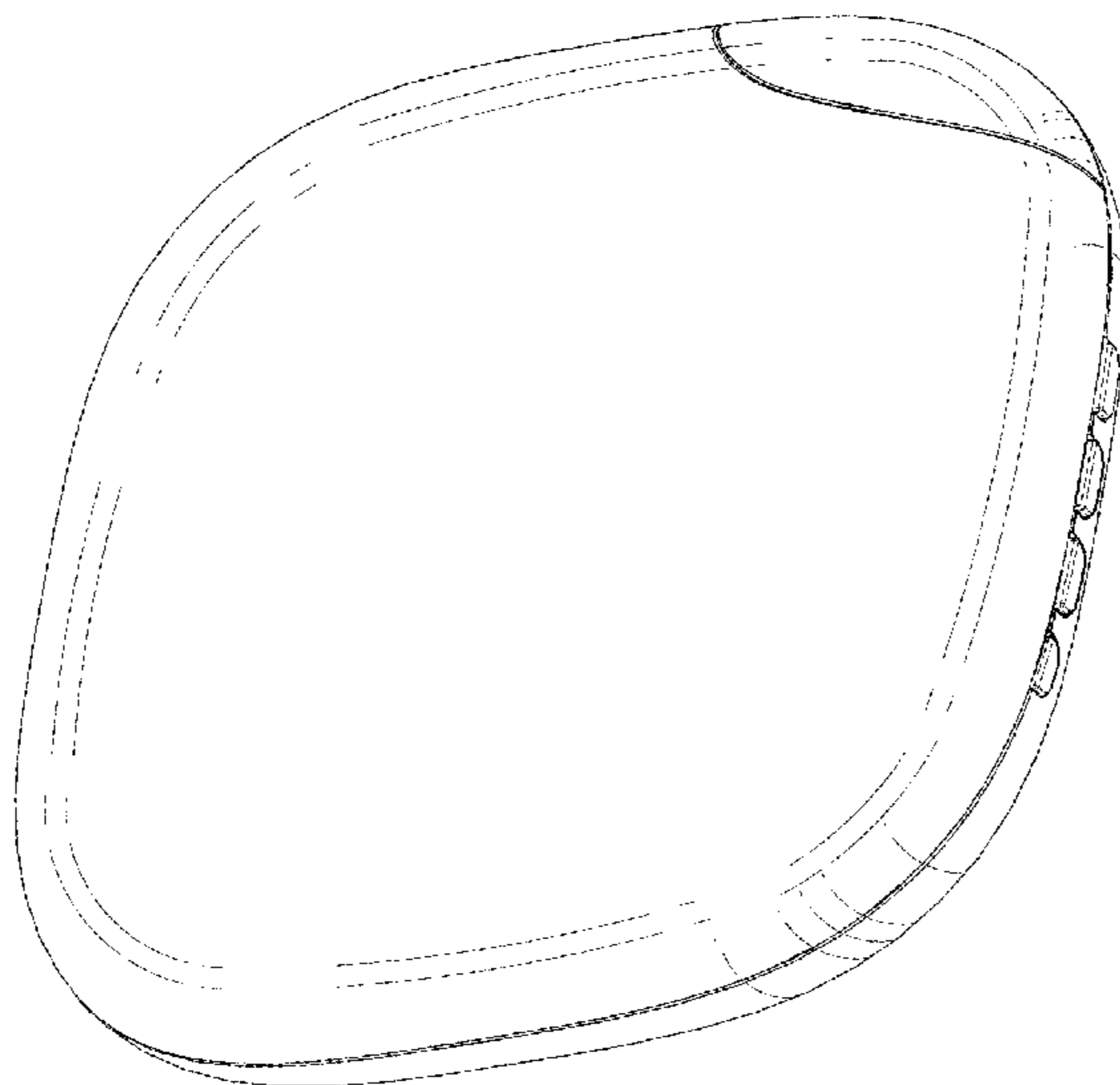
FIG. 28 is a top view thereof.

FIG. 29 is a bottom view thereof; and,

FIG. 30 is a top view of the wireless doorbell receiver showing my new design in use with a paired doorbell push button.

In FIGS. 1-4, the broken lines defining the sidewall, inner bead and the peripheral boundary between the claimed tire tread and the sidewall depict environmental subject matter that forms no part of the claimed design.

1 Claim, 22 Drawing Sheets



(58) **Field of Classification Search**

CPC A01K 15/02; G08B 1/08; G06Q 30/08
See application file for complete search history.

(56) **References Cited**

U.S. PATENT DOCUMENTS

D391,514 S *	3/1998	Ryan	D10/118
6,445,302 B2 *	9/2002	Vena	119/174
6,606,030 B2 *	8/2003	Vena	A01K 15/02
				119/174
6,775,523 B2 *	8/2004	Bentley	G08B 1/08
				340/539.1
7,126,490 B2 *	10/2006	Cole, Sr.	G06Q 30/08
				340/384.1
D636,287 S *	4/2011	Khor	D10/118
D727,769 S *	4/2015	Scalisi	D10/118.2

* cited by examiner

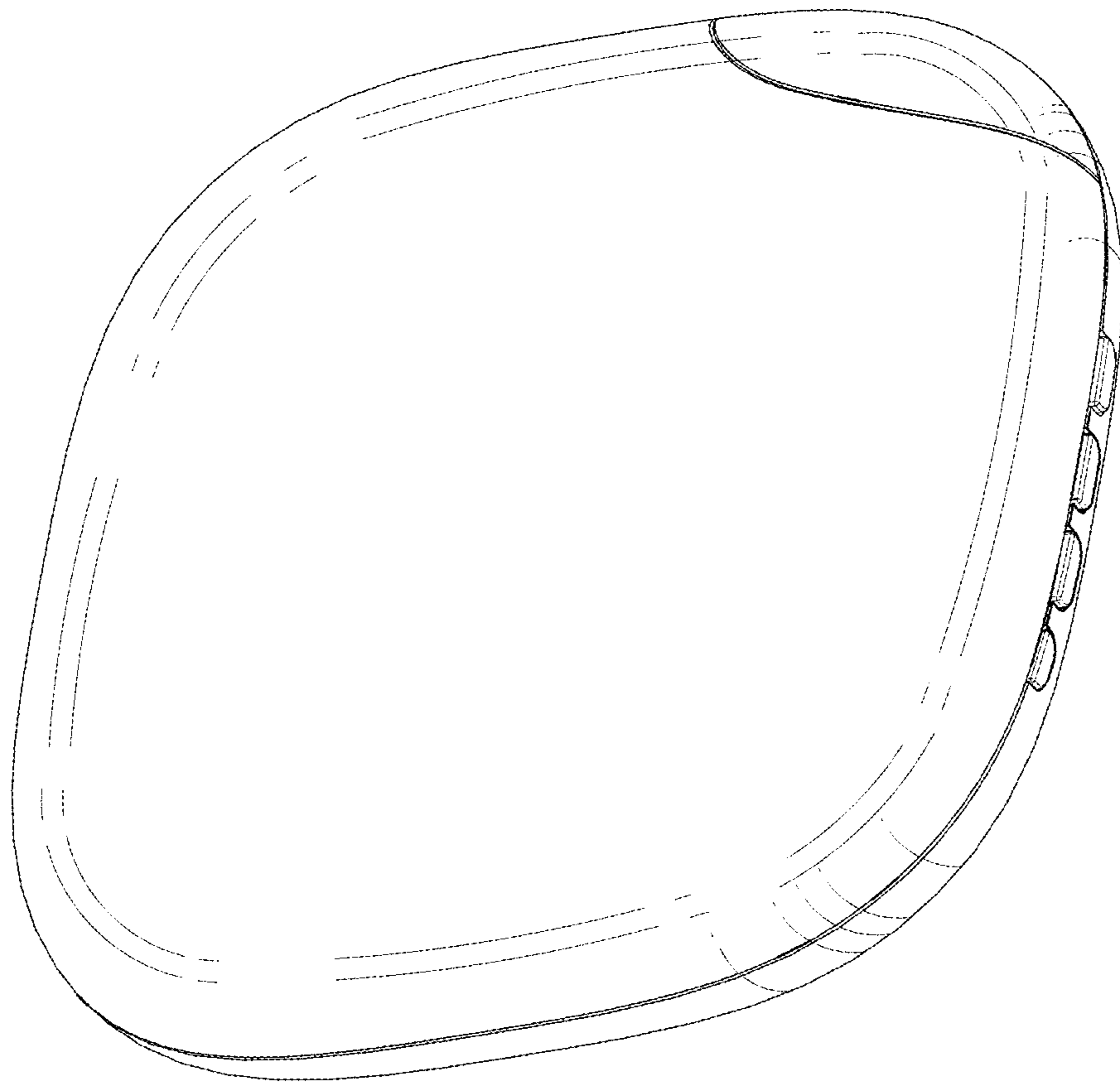


FIG.1

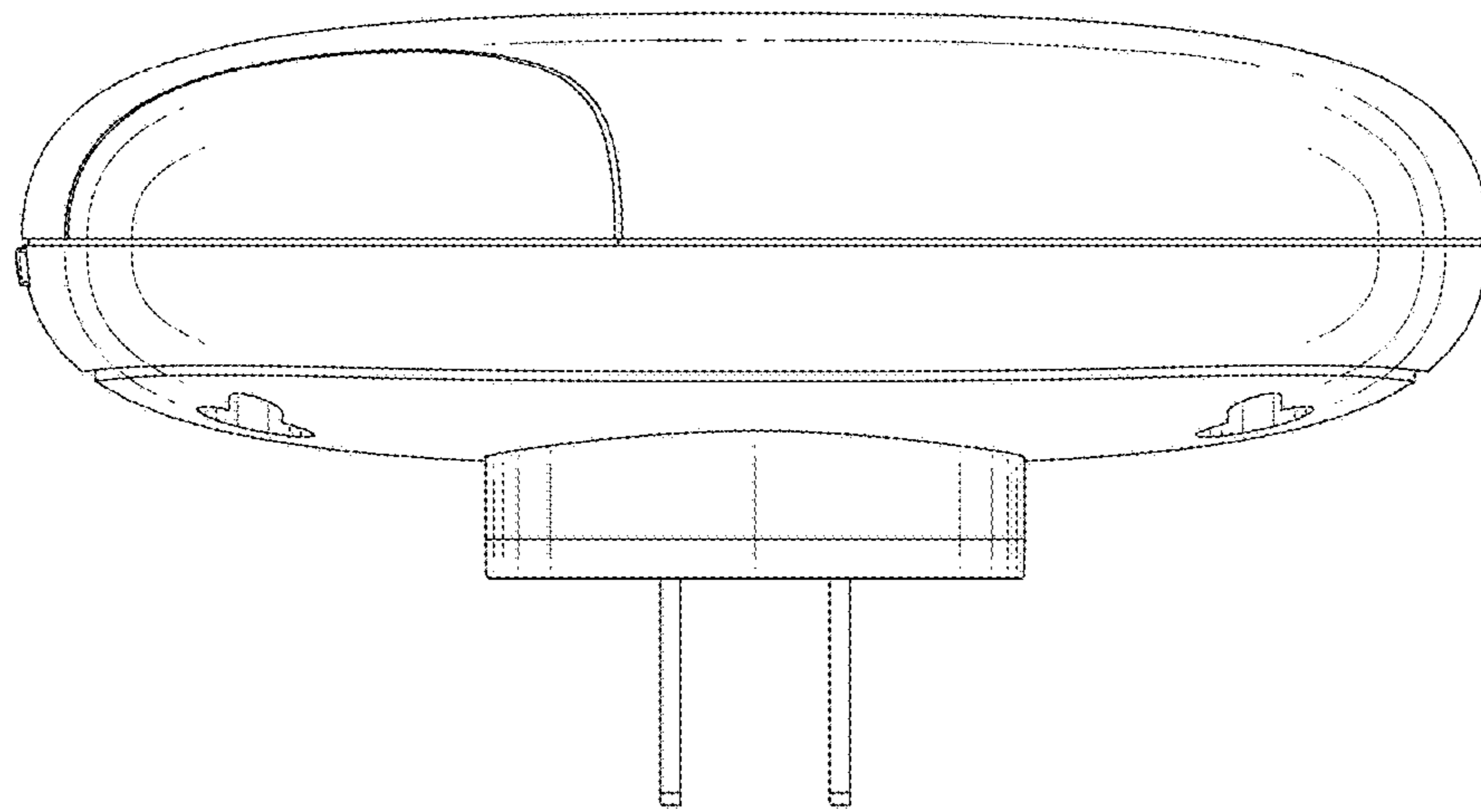


FIG. 2

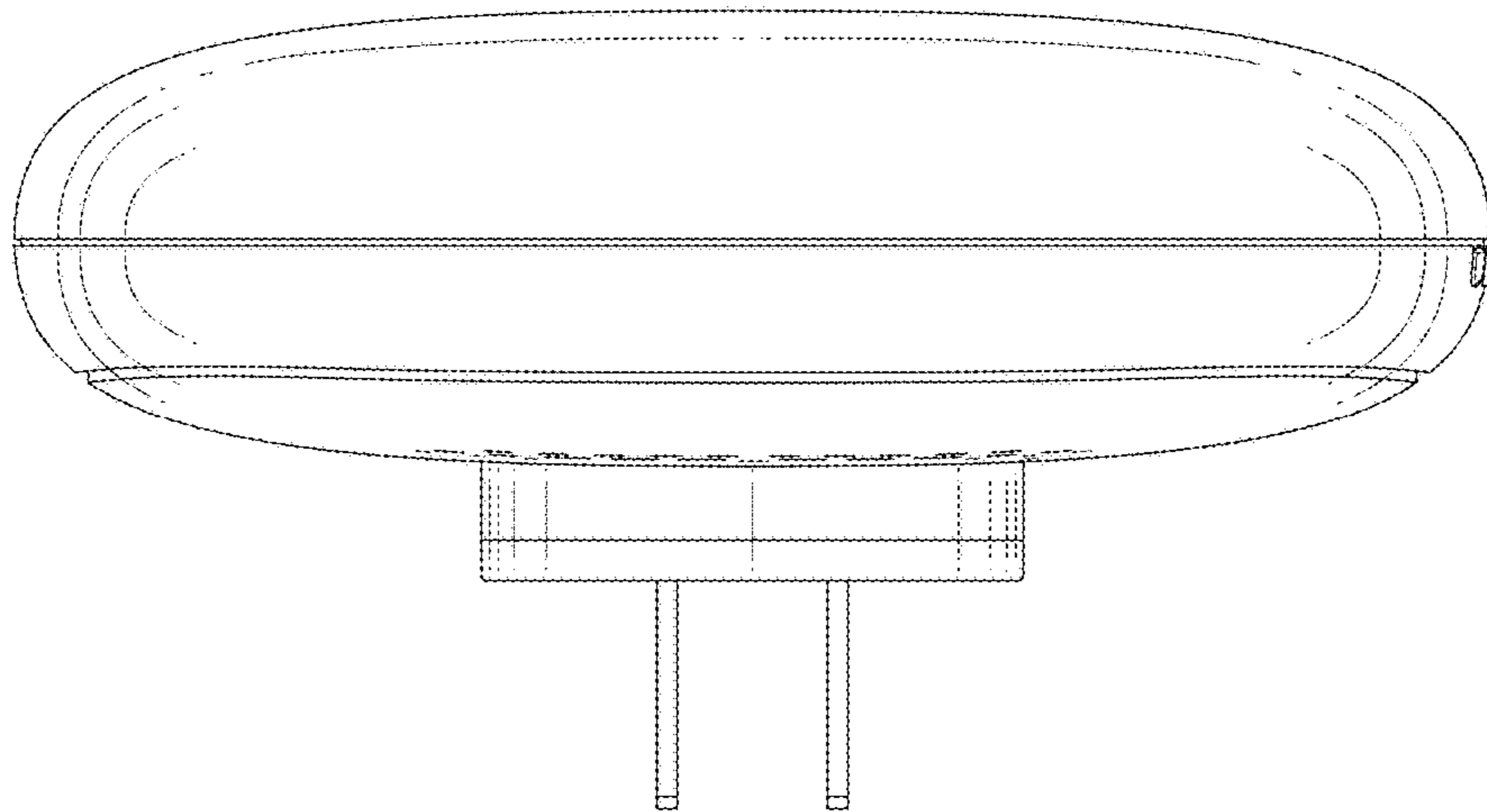


FIG. 3

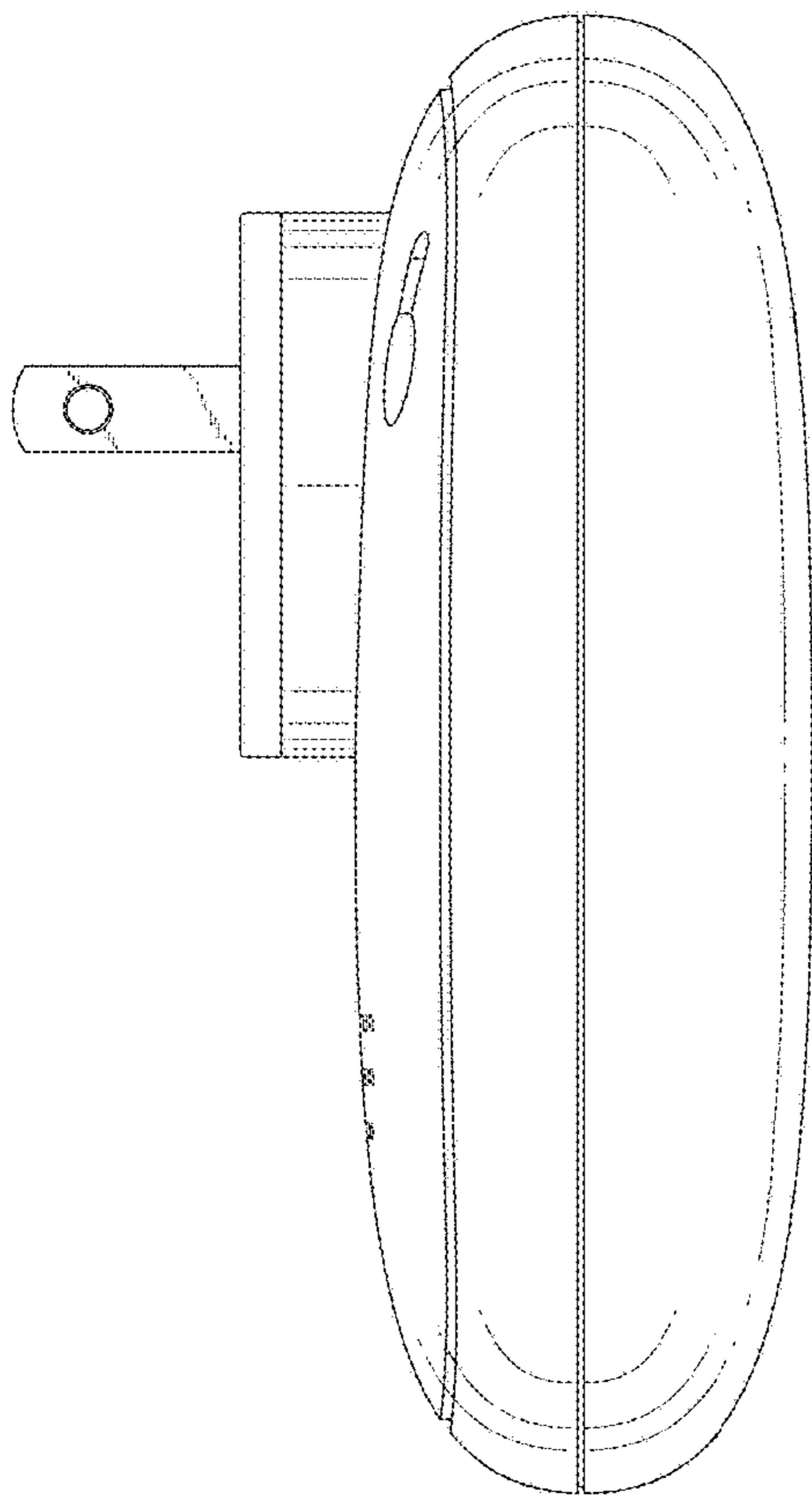


FIG.4

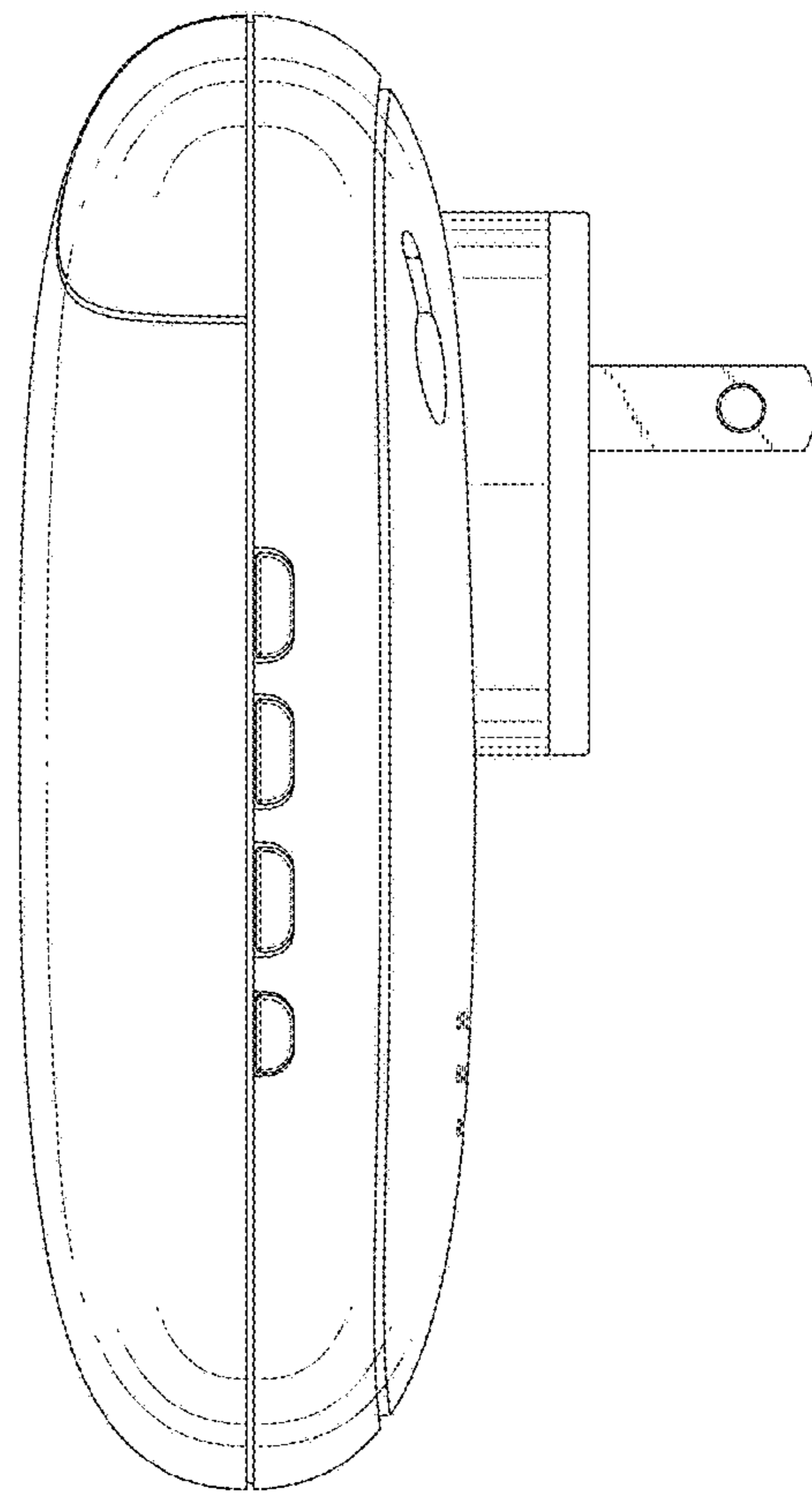


FIG.5

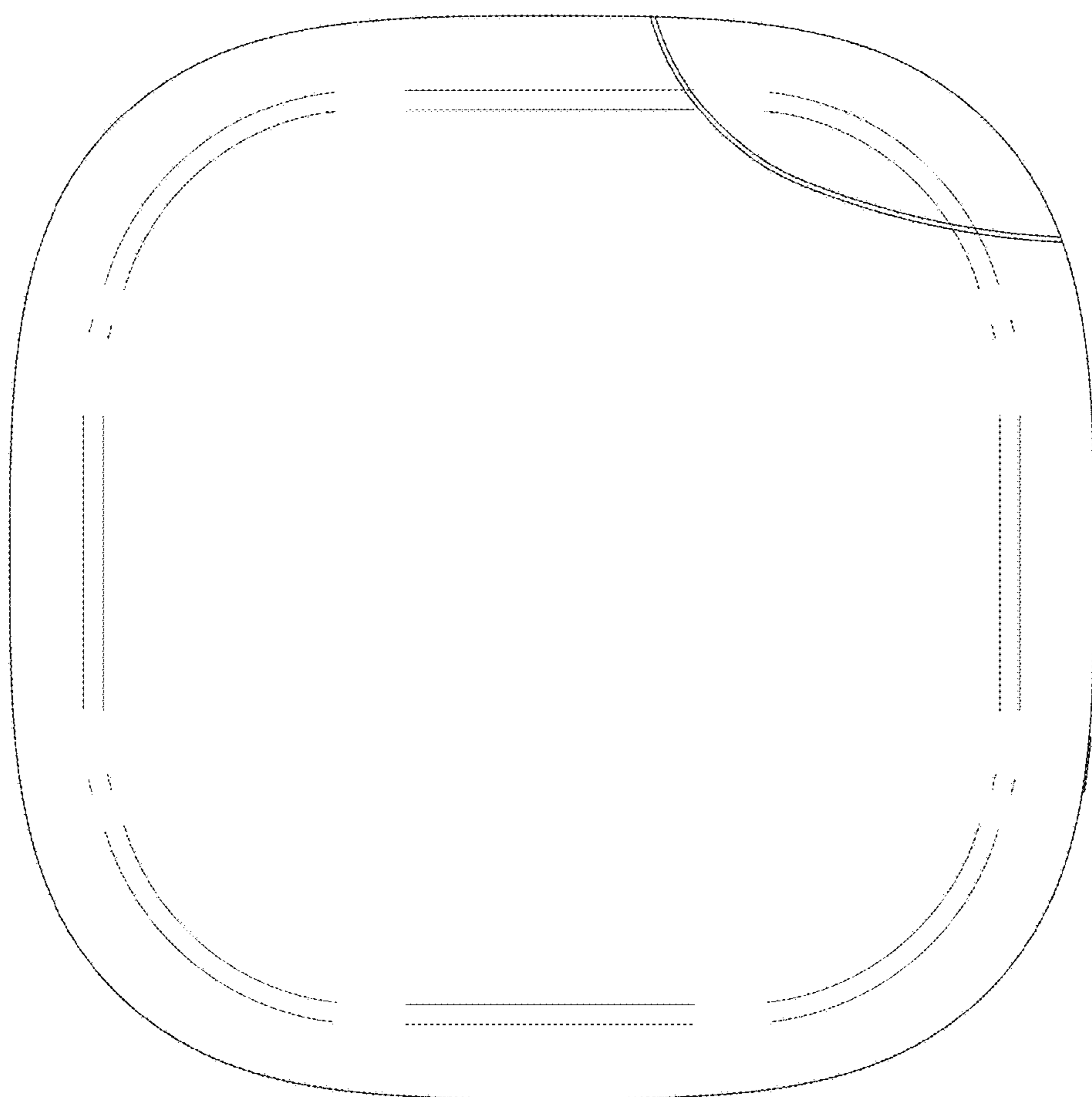


FIG.6

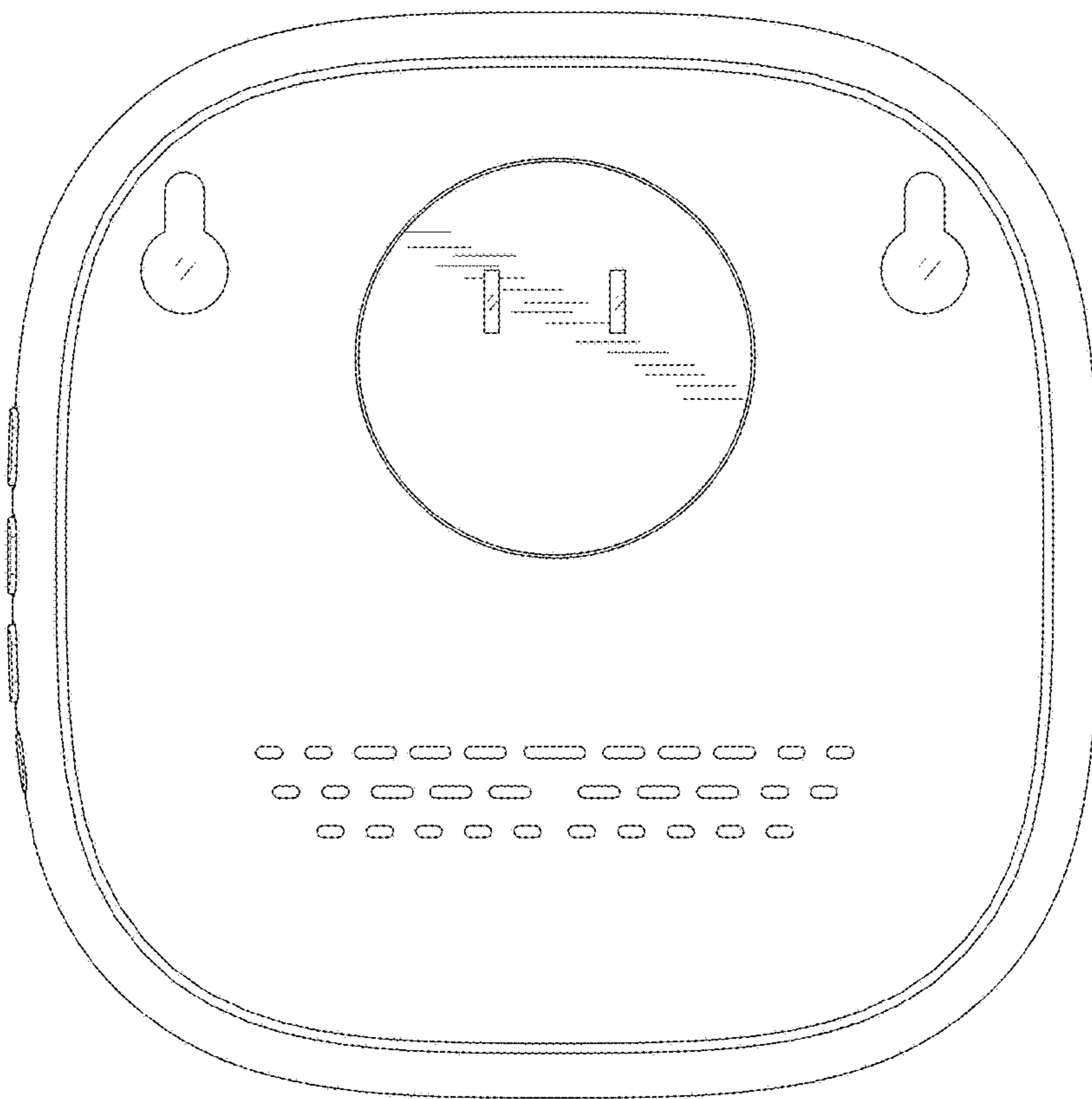


FIG. 7

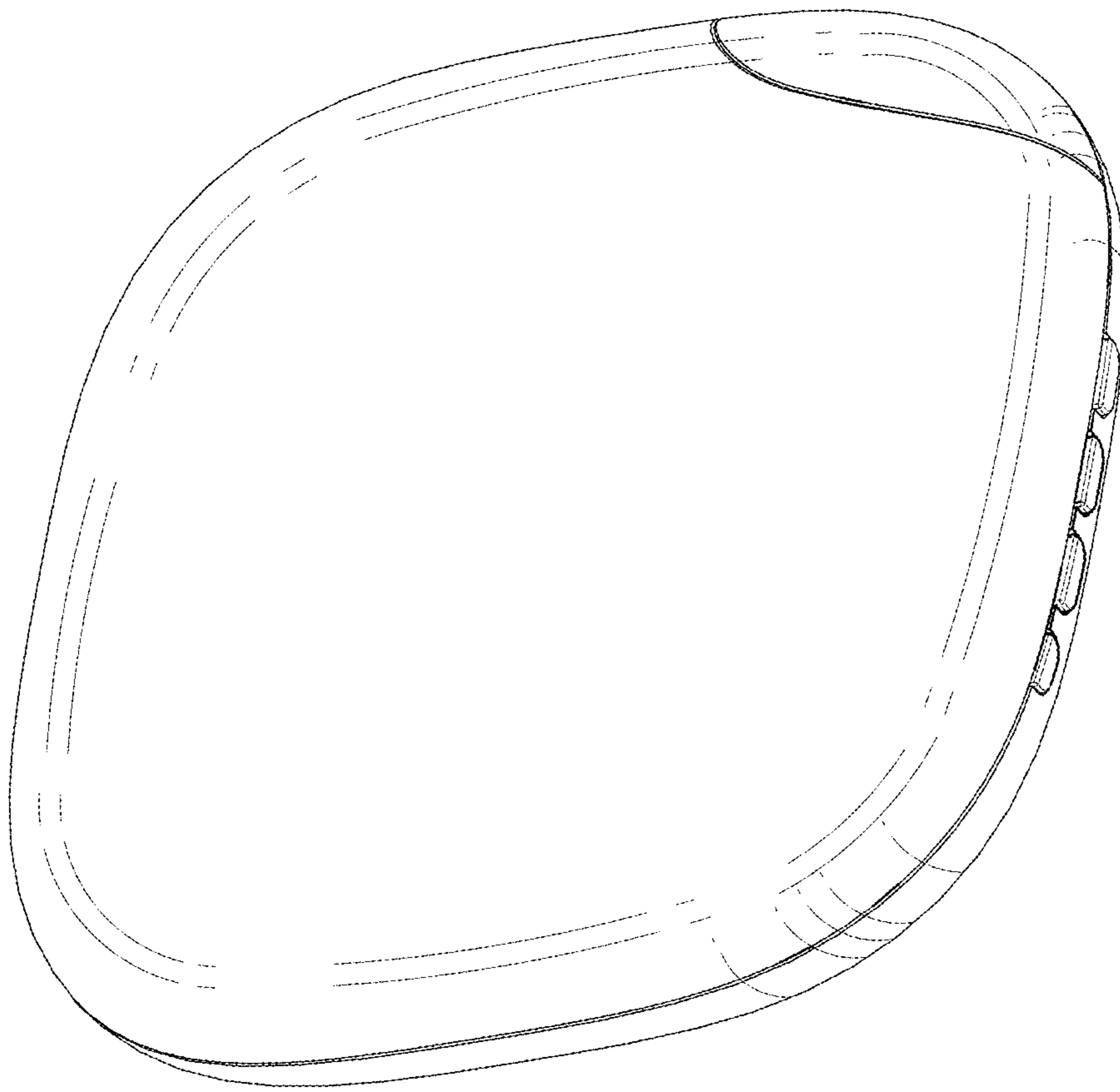


FIG.8

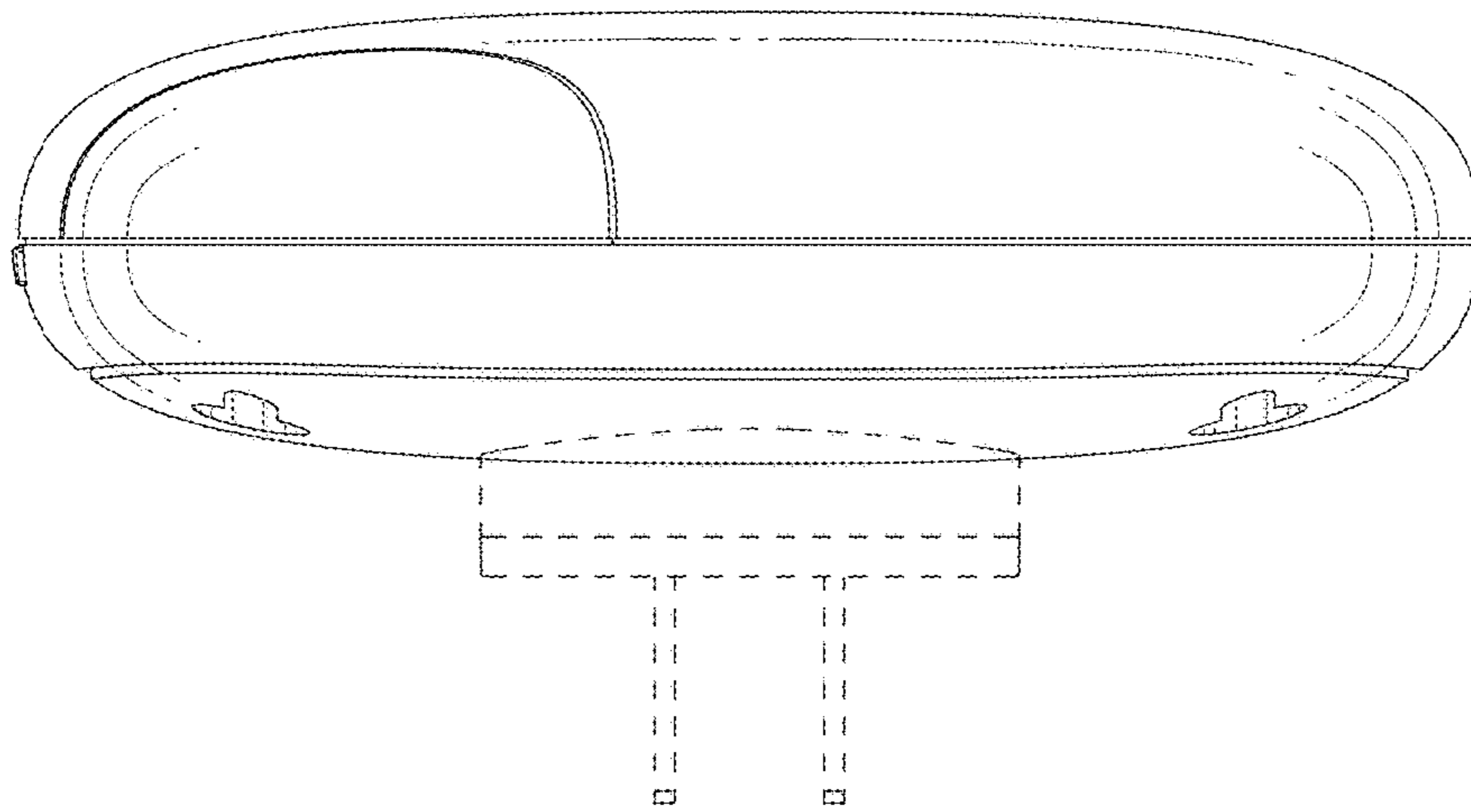


FIG. 9

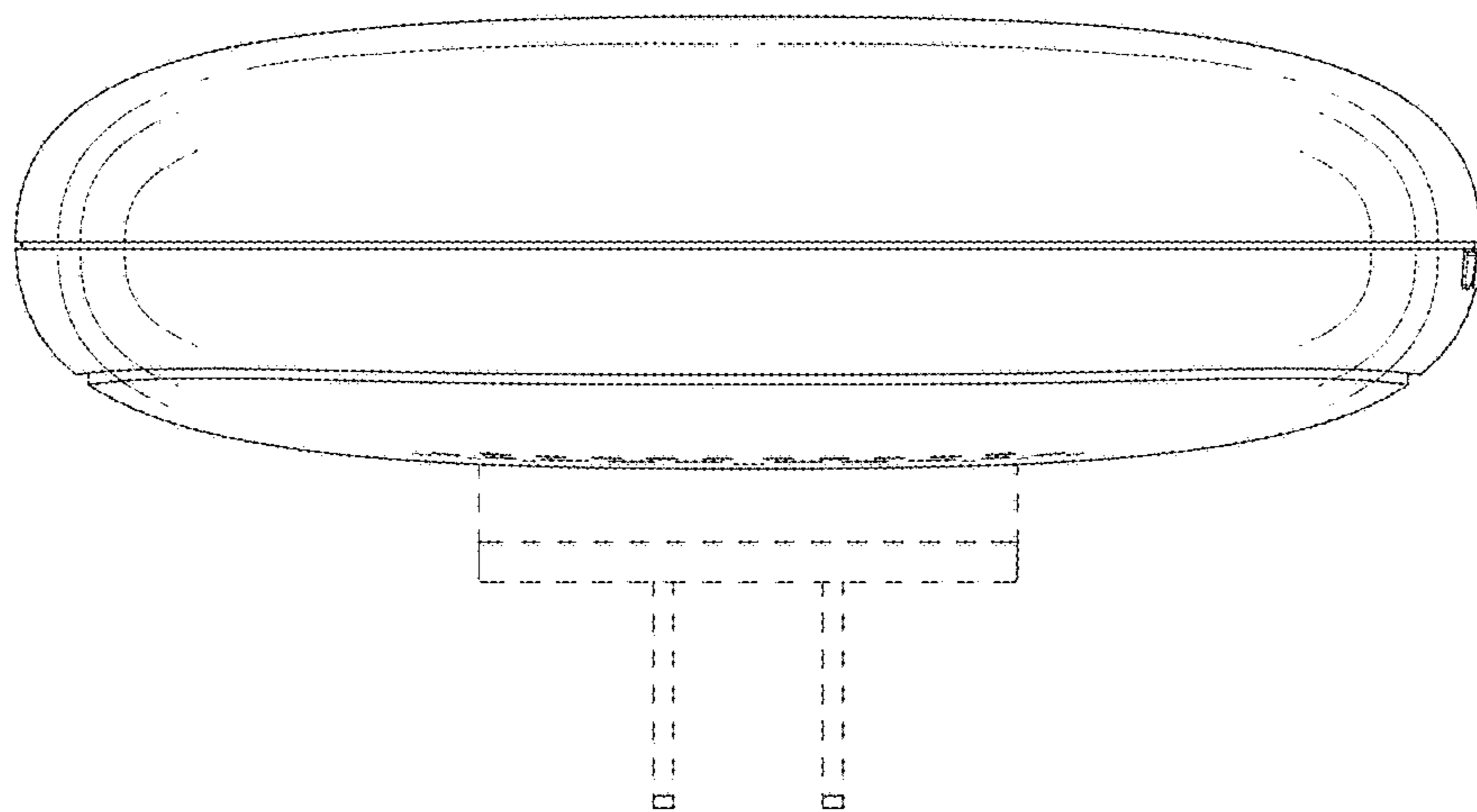


FIG. 10

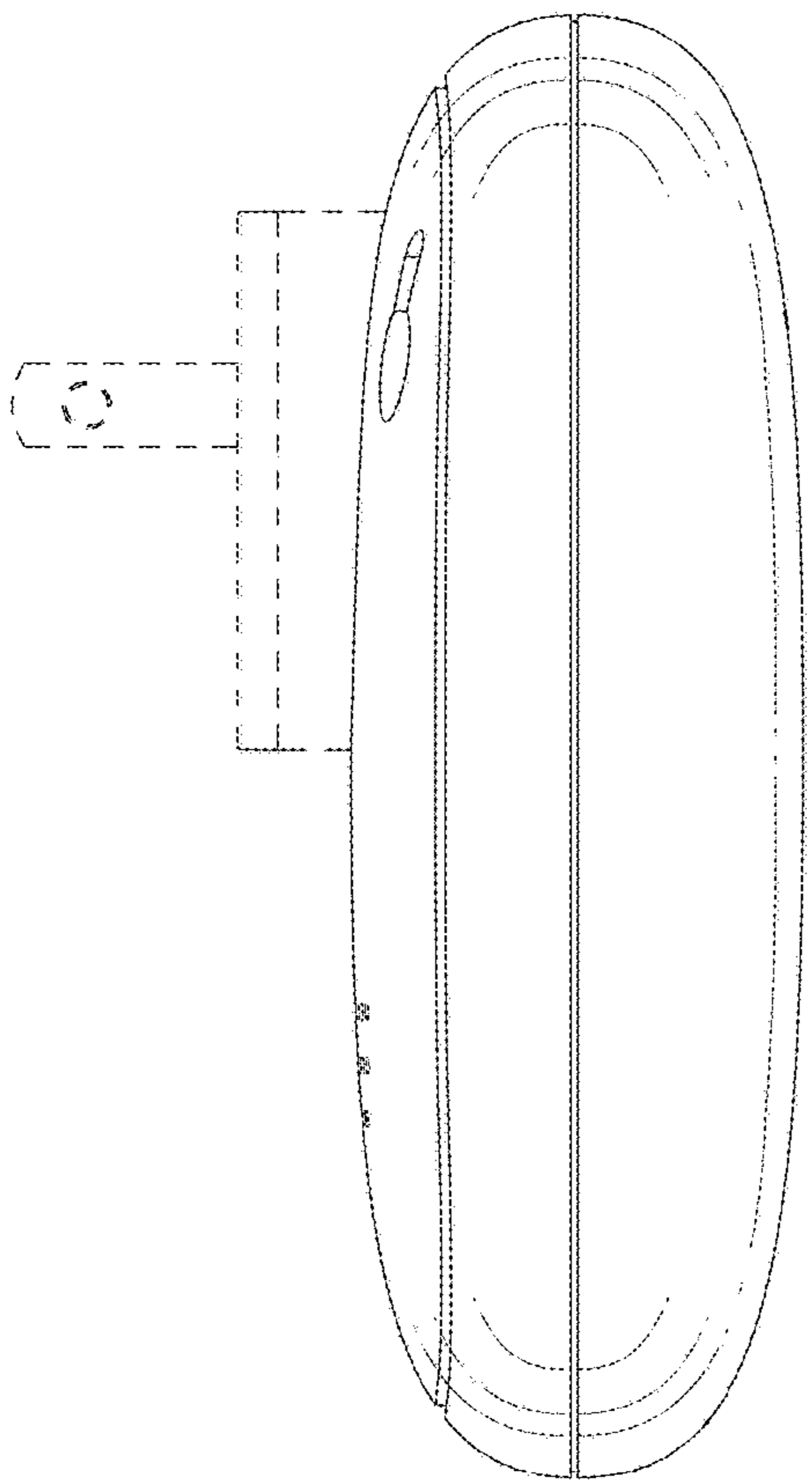


FIG. 11

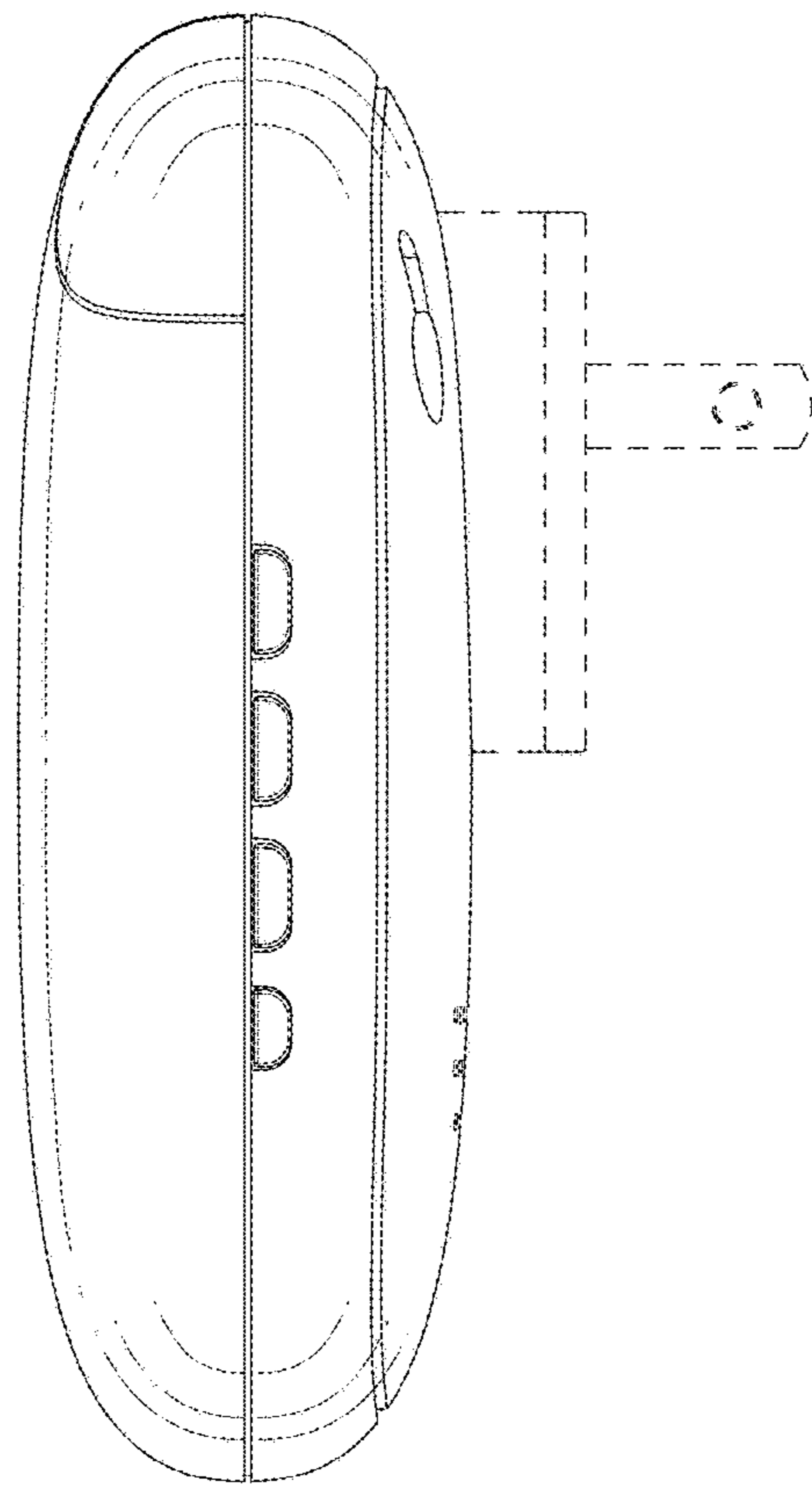


FIG. 12

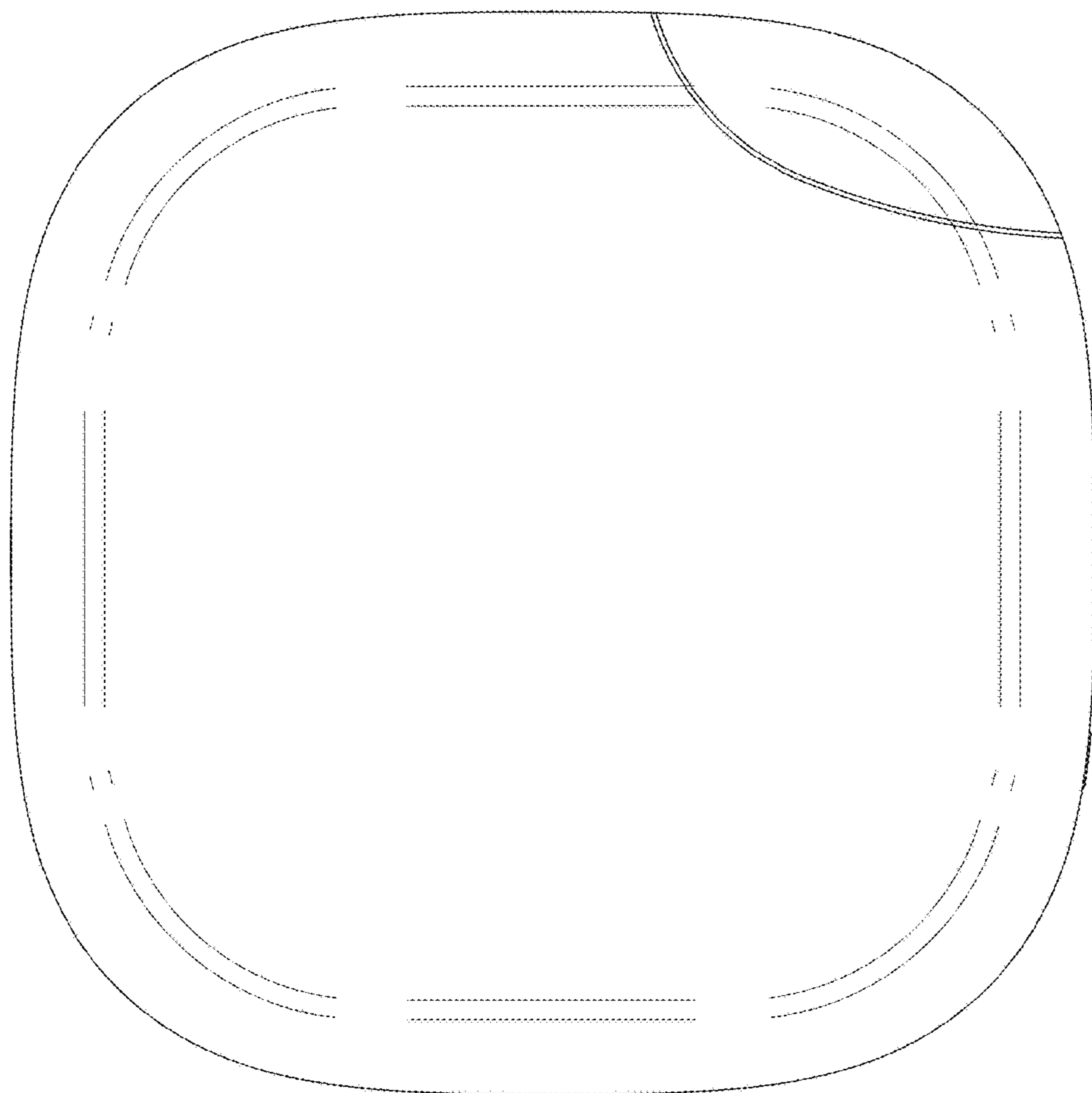


FIG. 13

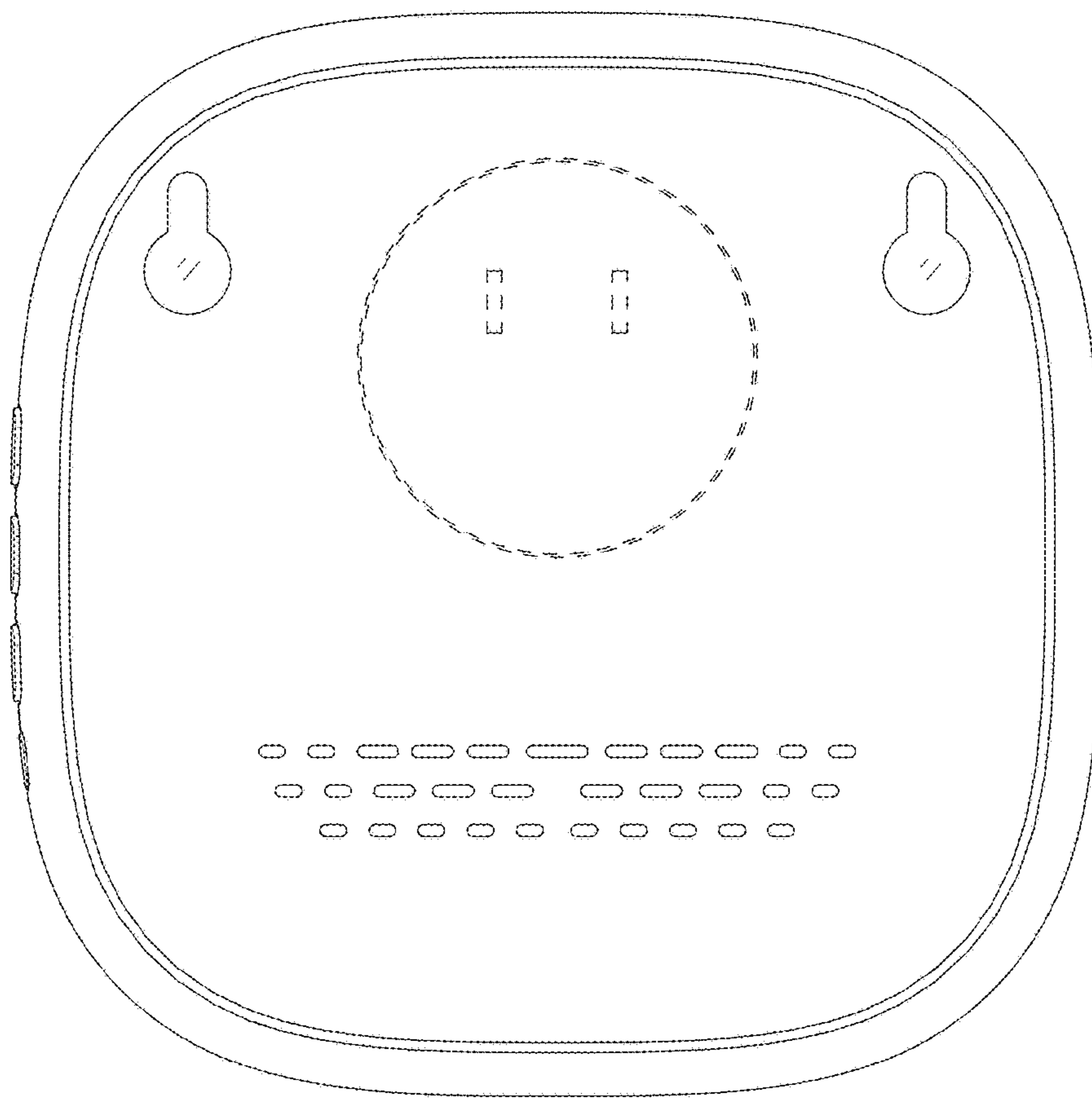


FIG.14

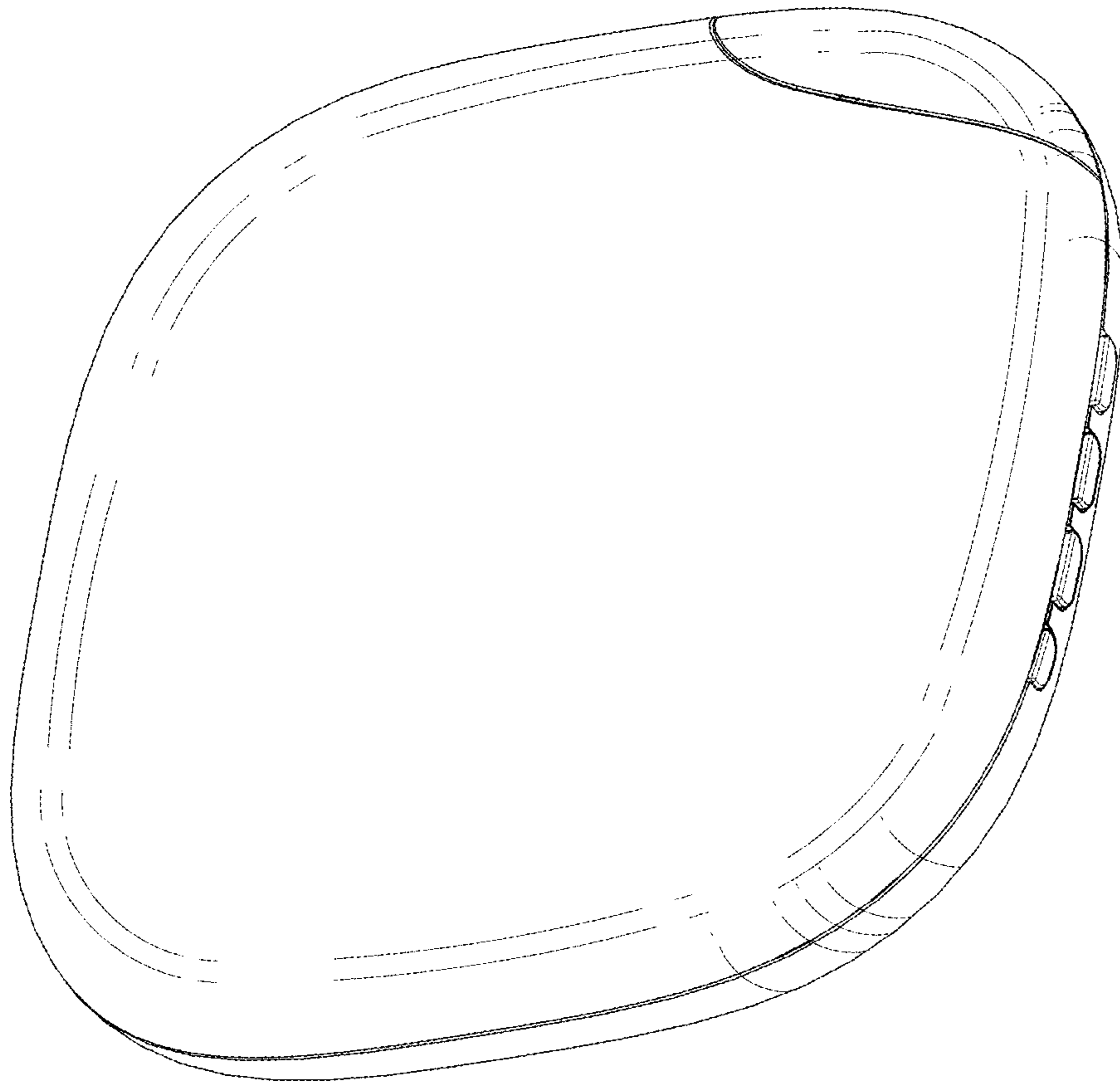


FIG.15

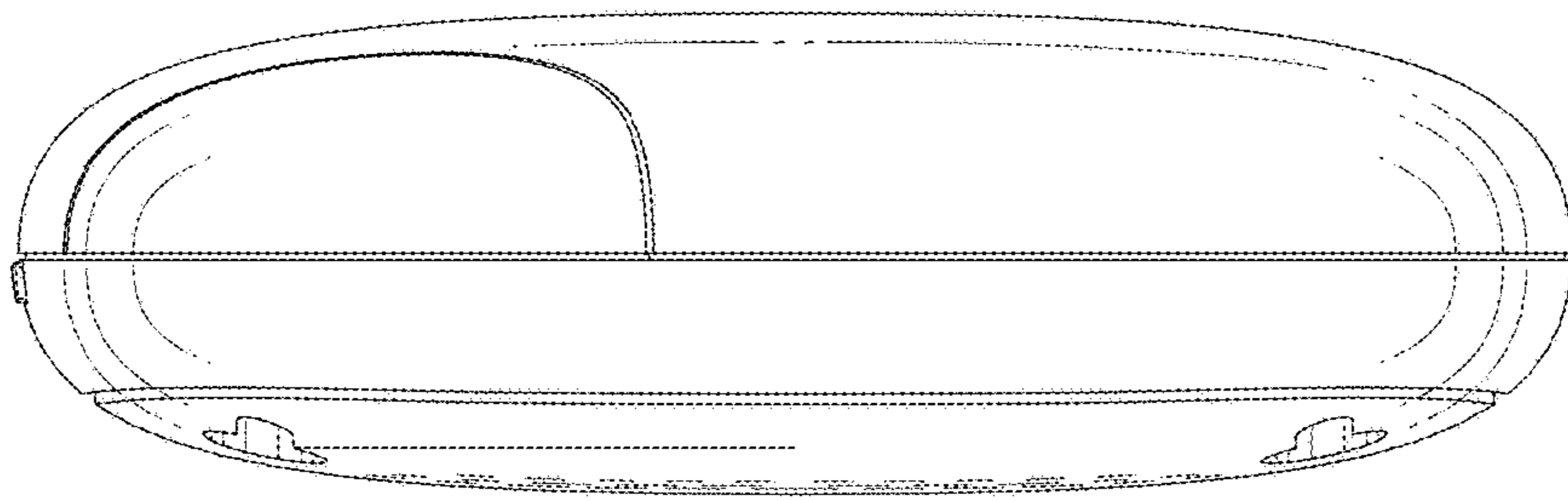


FIG. 16

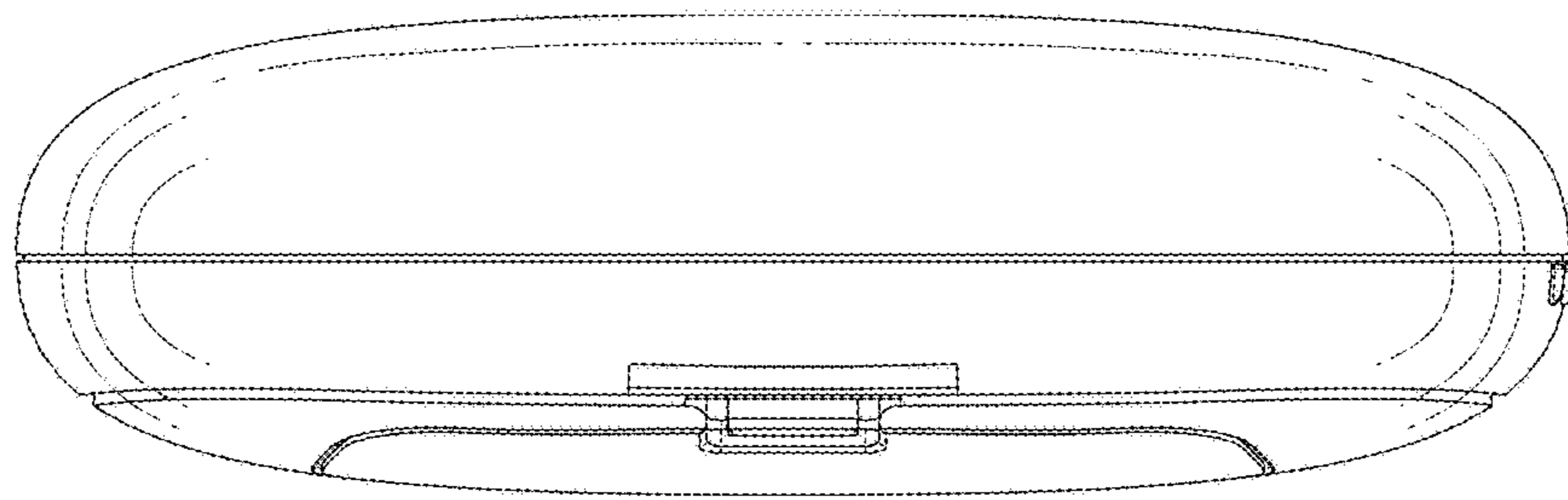


FIG. 17

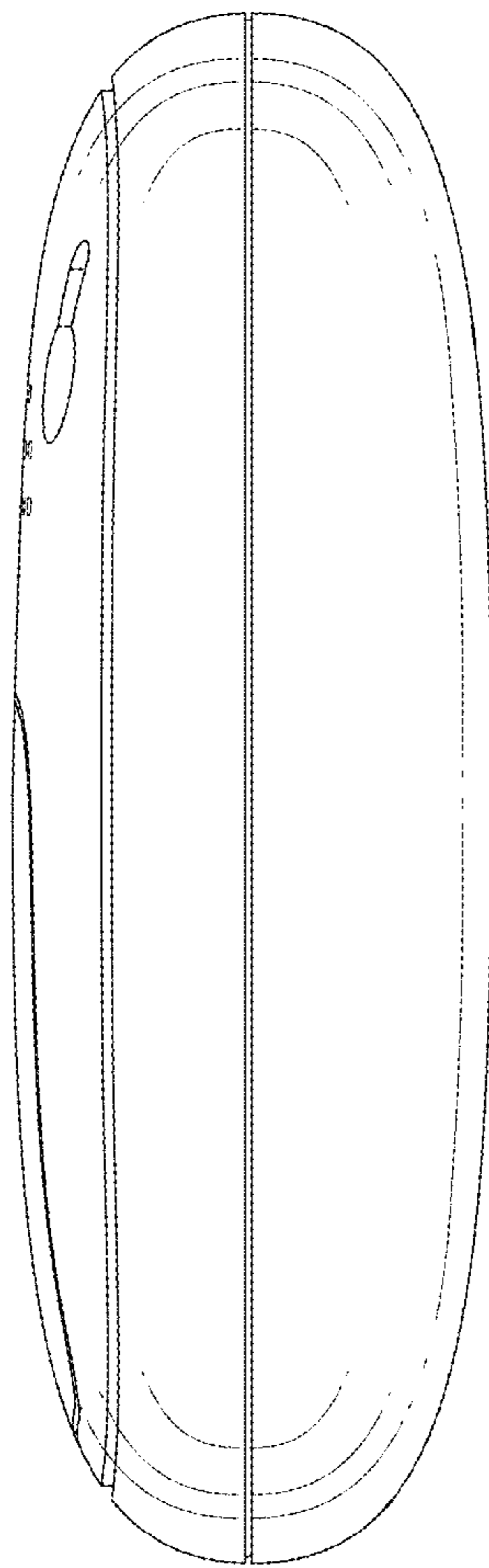


FIG. 18

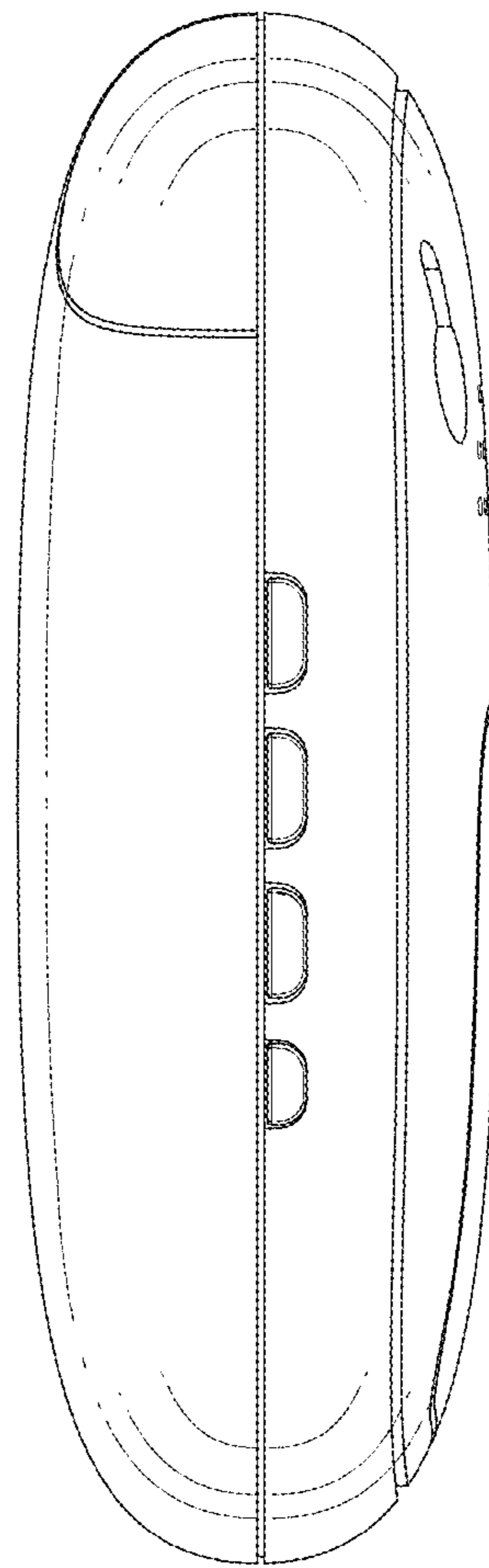


FIG. 19

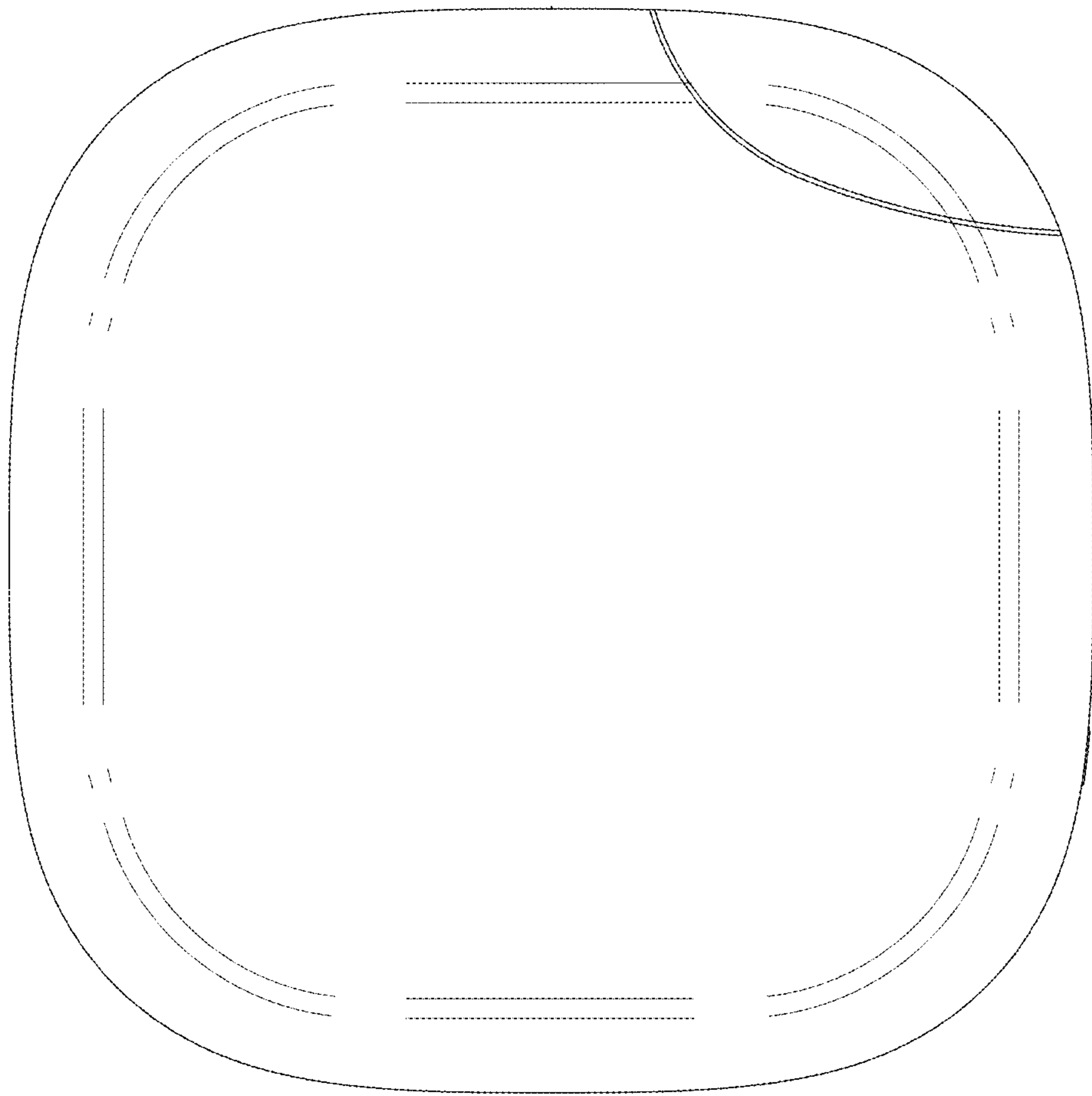


FIG.20

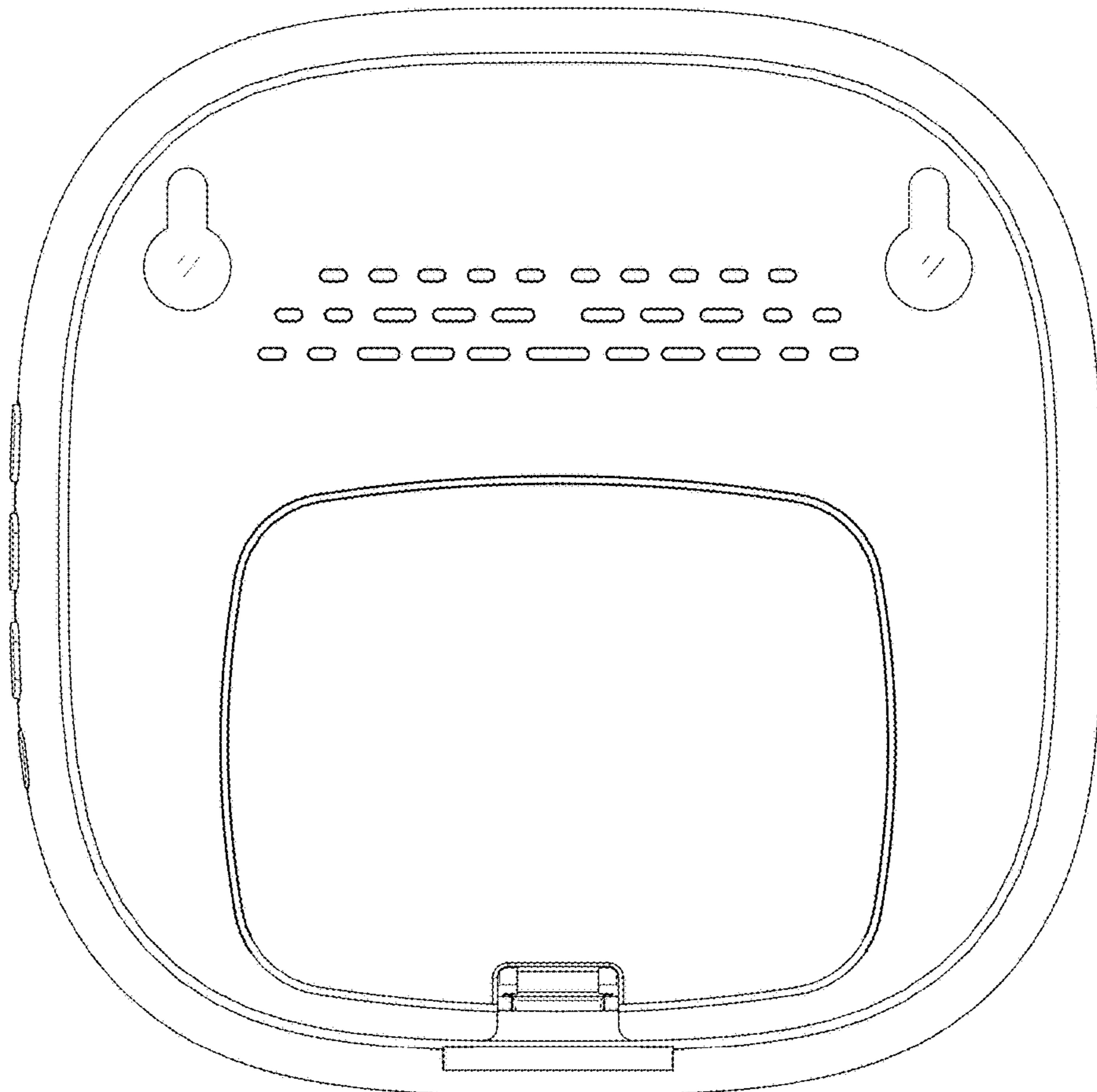


FIG.21

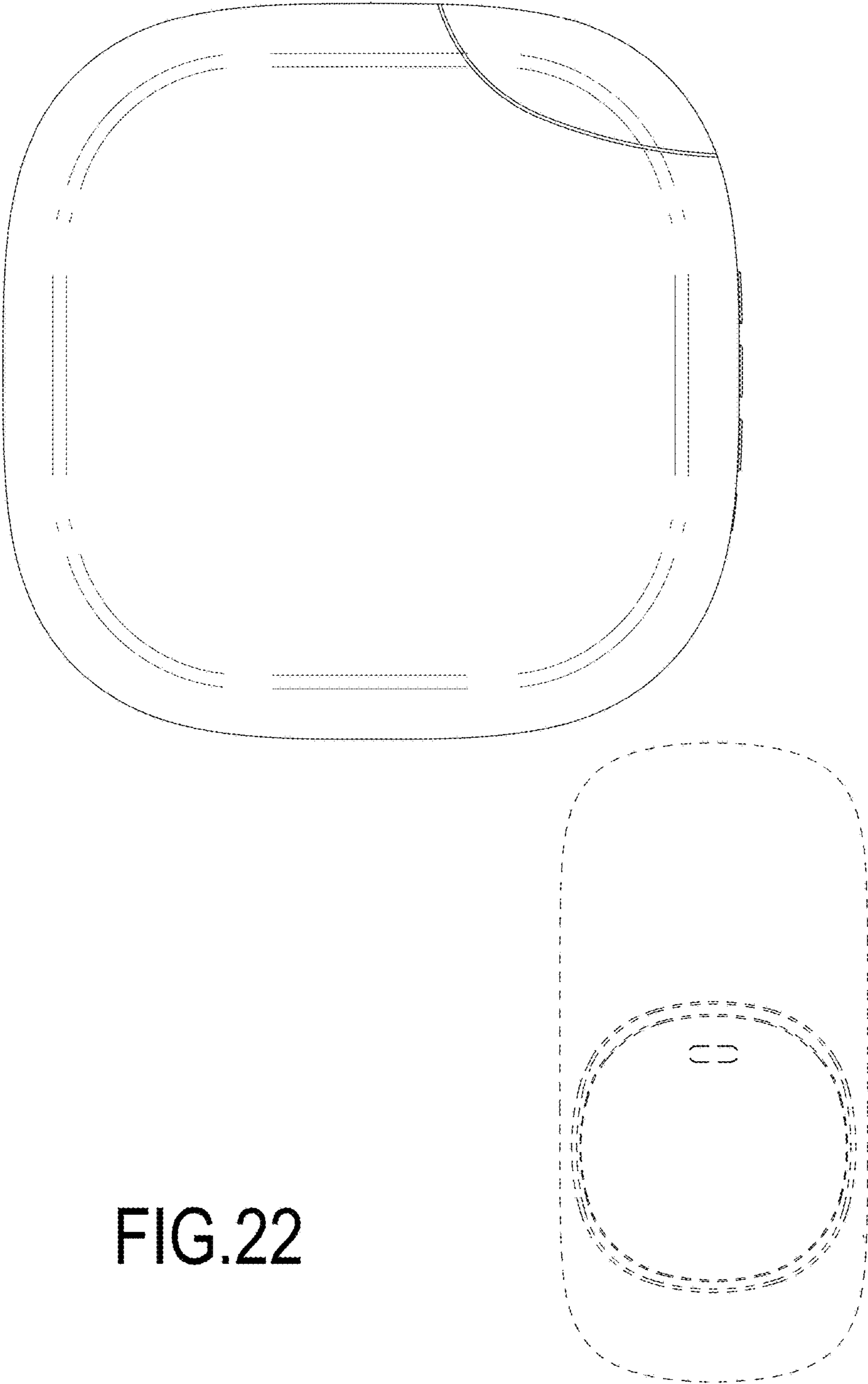


FIG.22

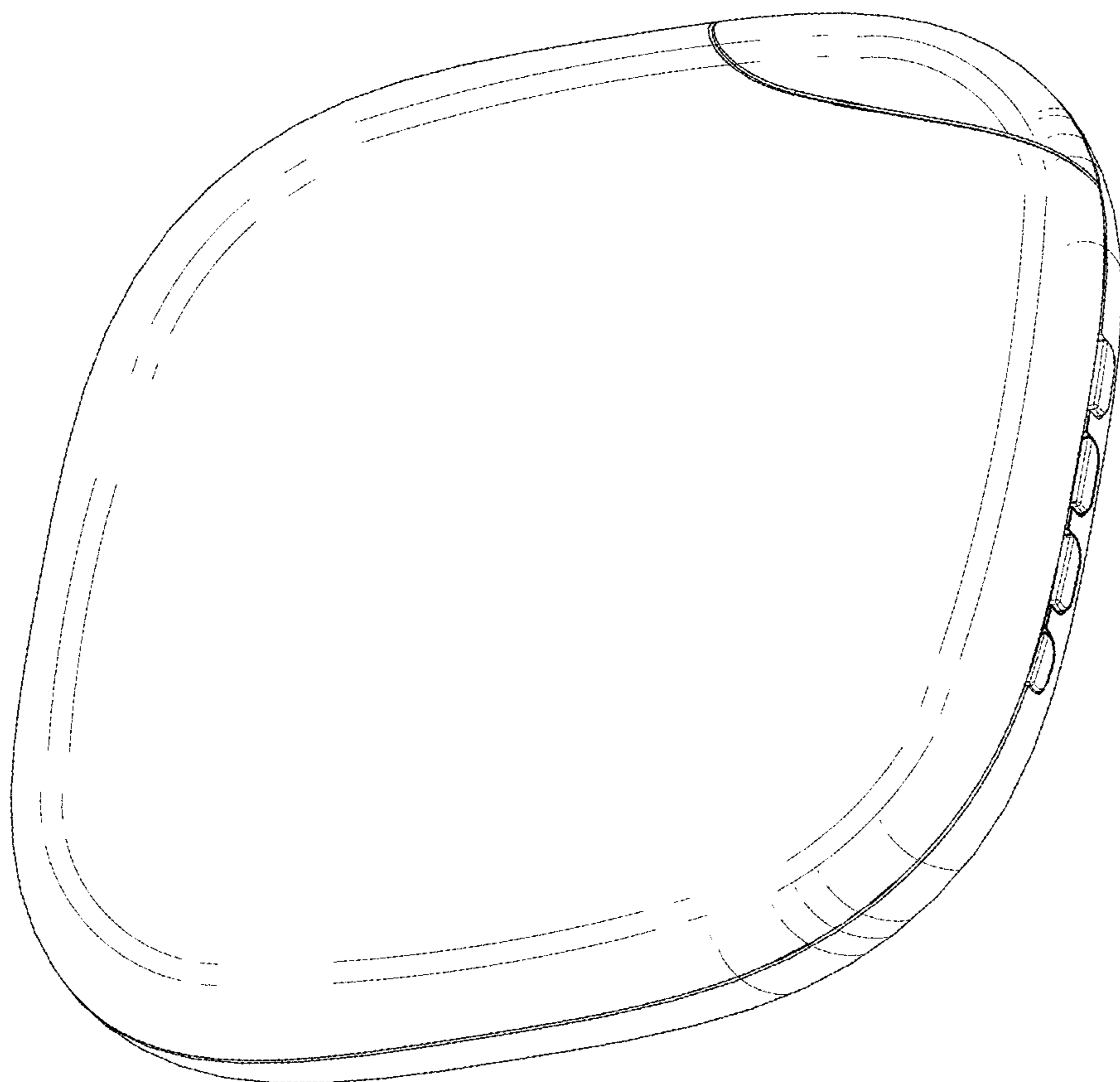


FIG.23

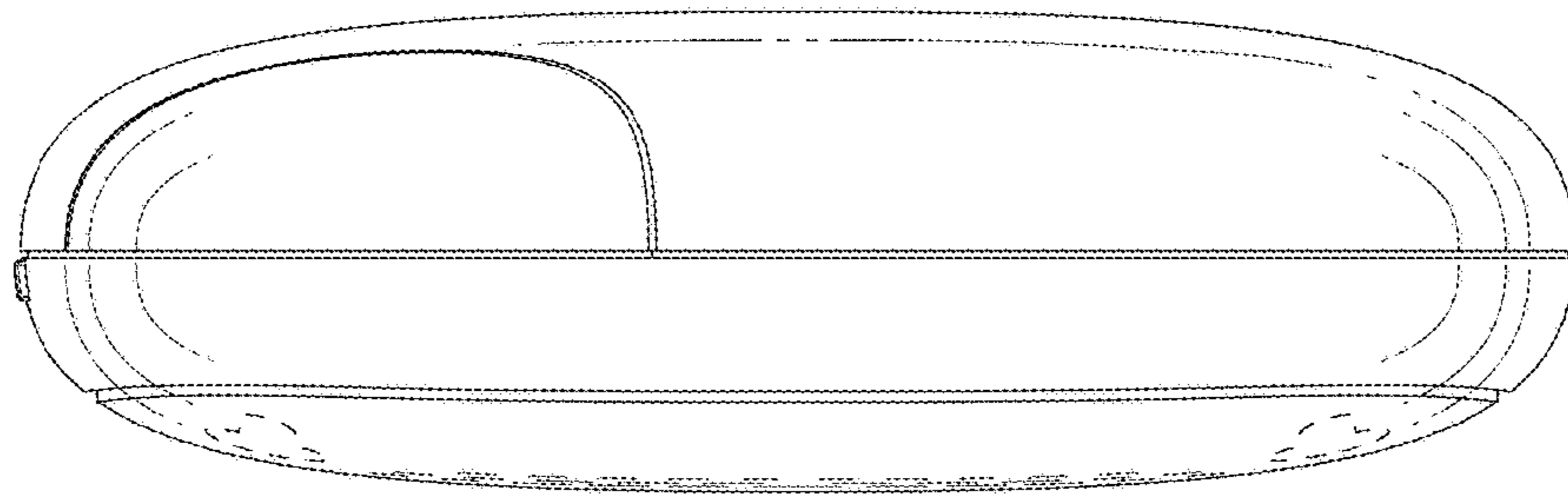


FIG.24

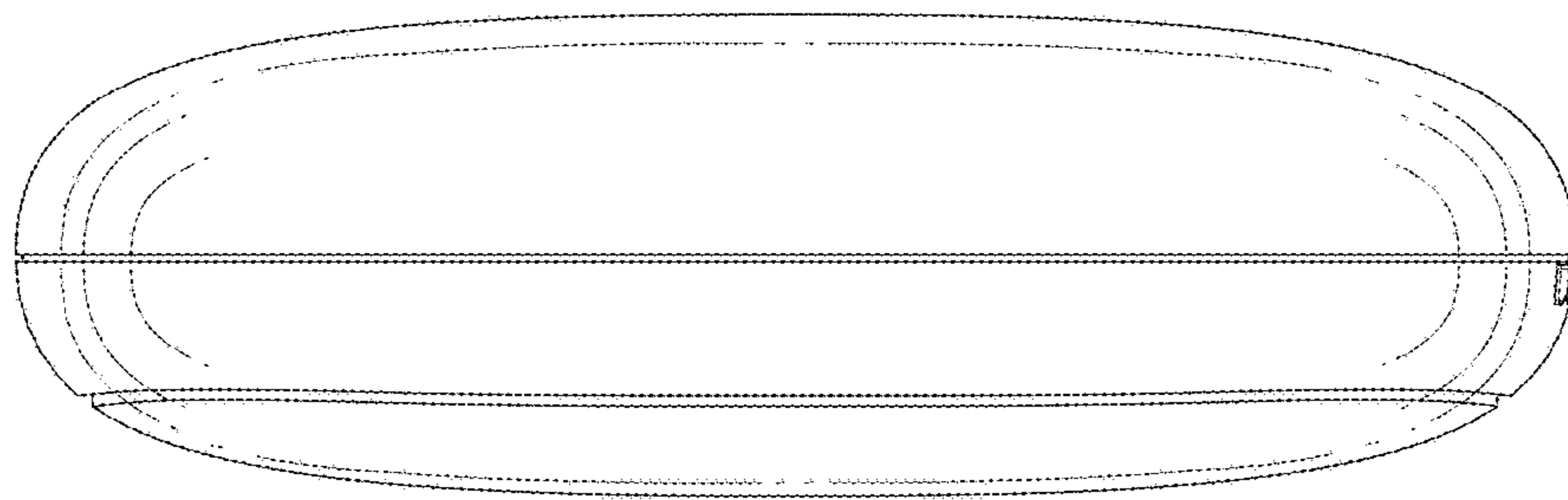


FIG.25

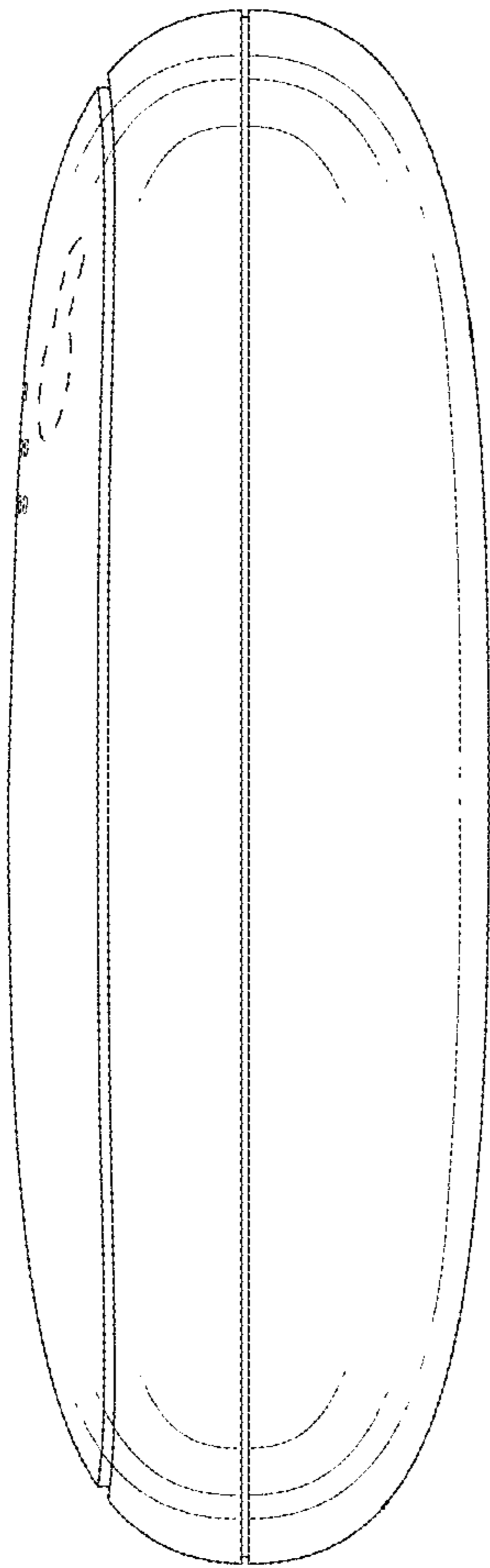


FIG. 26

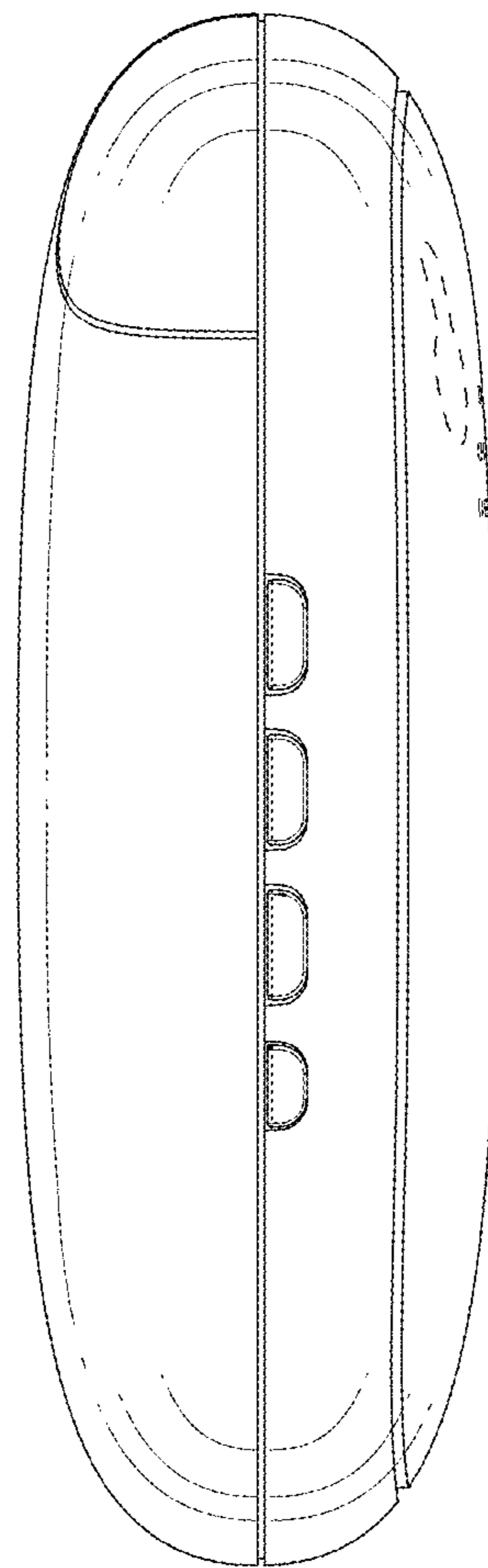


FIG. 27

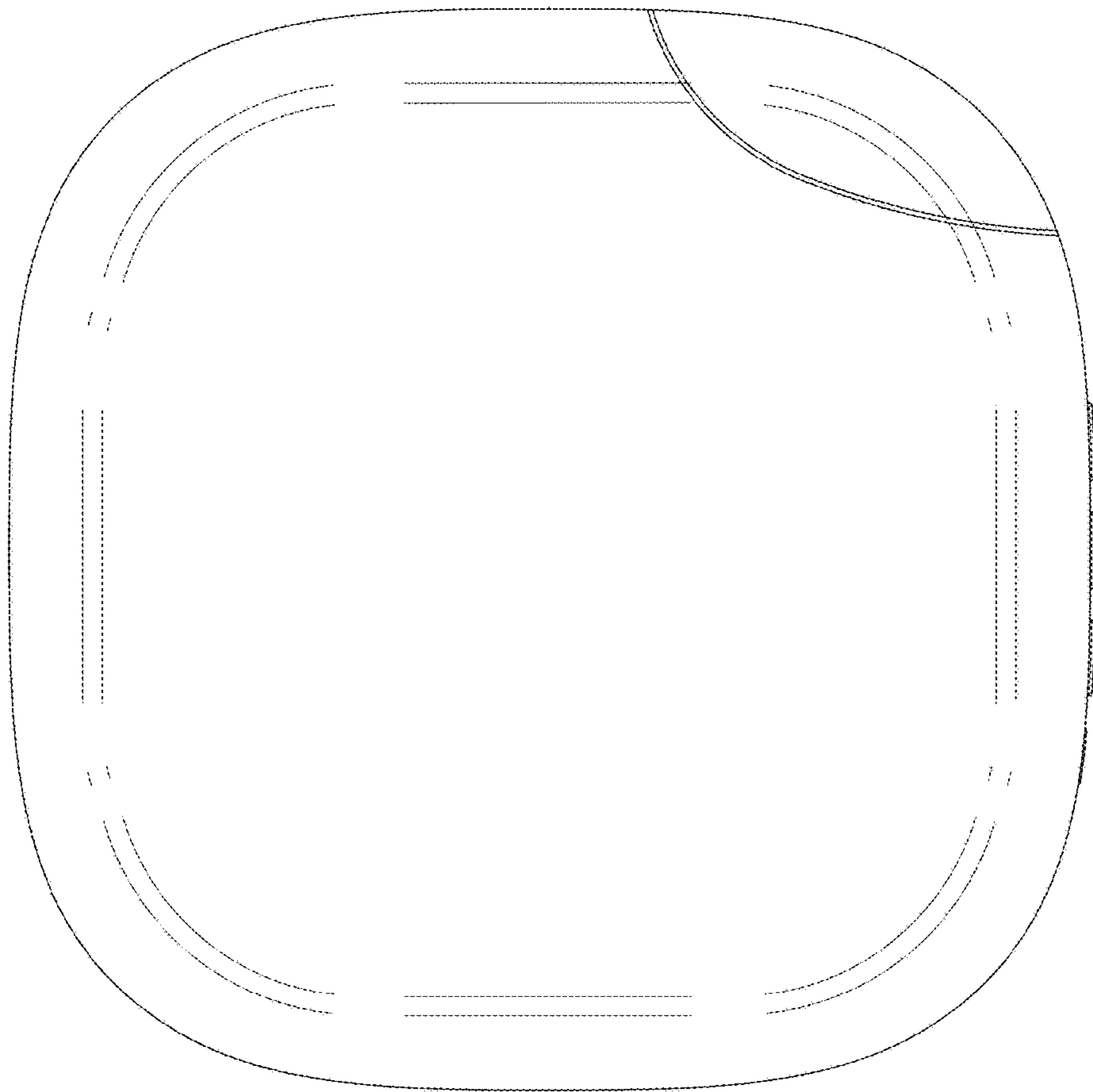


FIG. 28

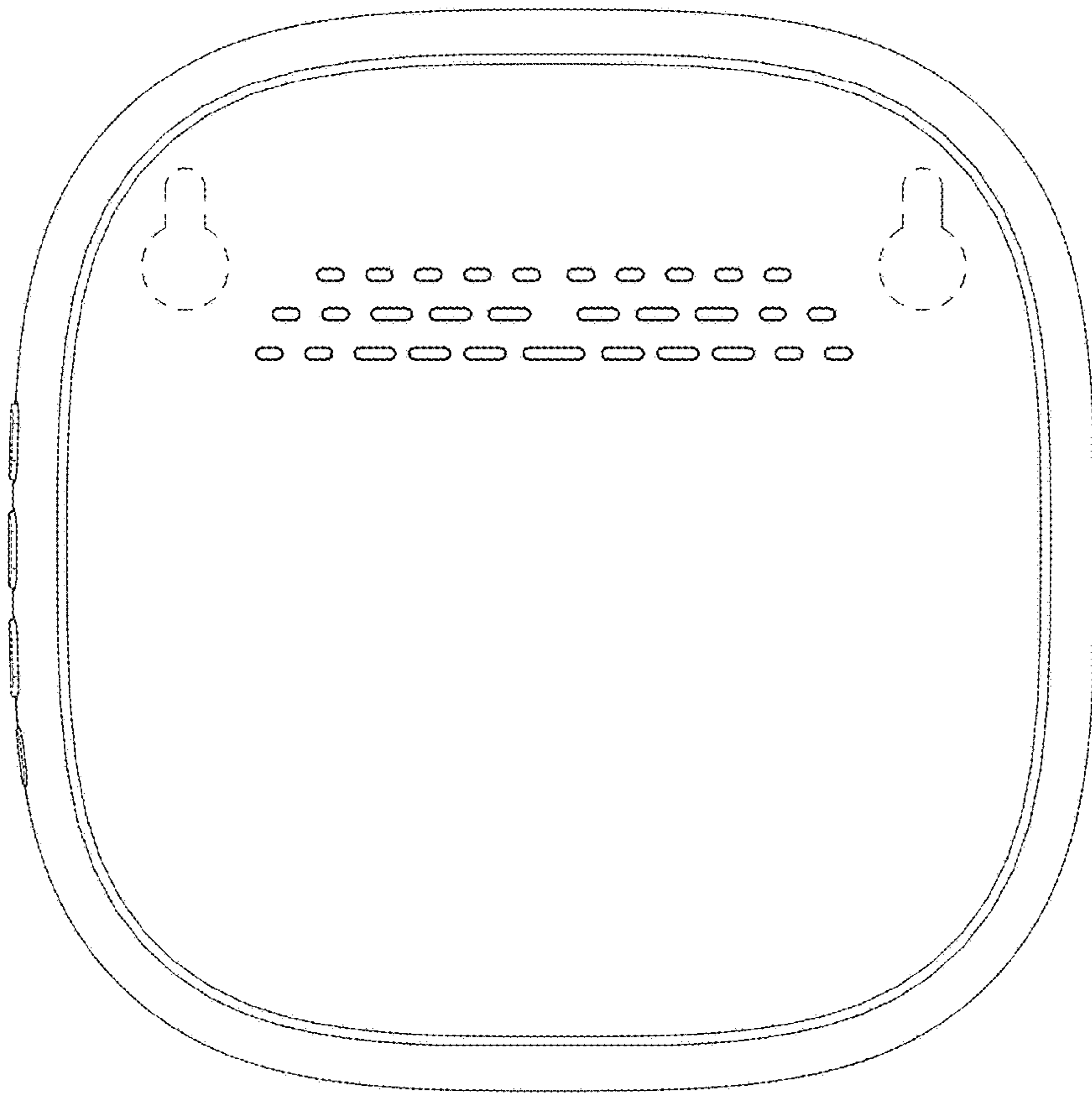


FIG.29

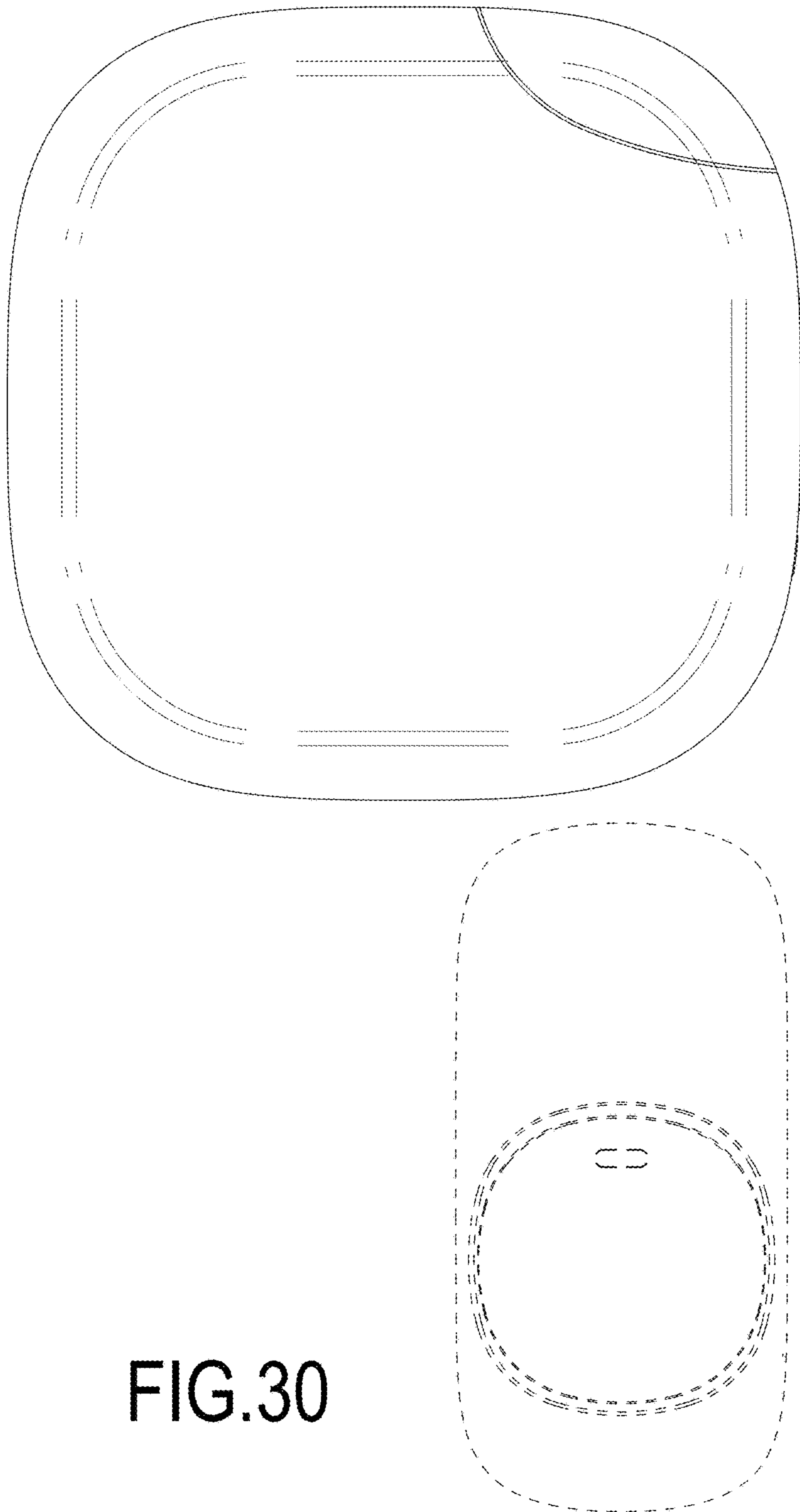


FIG.30