



US00D778751S

(12) **United States Design Patent** (10) **Patent No.:** **US D778,751 S**
Cooper et al. (45) **Date of Patent:** **** Feb. 14, 2017**

(54) **FOLDABLE SAFETY BARRICADE**

(71) Applicant: **Lustre Products Ltd.**, Chilliwack (CA)

(72) Inventors: **Troy Sean Cooper**, Abbotsford (CA);
Dean Ivan Cooper, Delta (CA)

(73) Assignee: **Lustre Products Ltd.**, Chilliwack (CA)

(**) Term: **15 Years**

(21) Appl. No.: **29/540,677**

(22) Filed: **Sep. 25, 2015**

(51) **LOC (10) Cl.** **10-05**

(52) **U.S. Cl.**
USPC **D10/113.3**

(58) **Field of Classification Search**
USPC D10/113.3
CPC E01F 7/00; E01F 13/022; A47D 13/065
See application file for complete search history.

(56) **References Cited**

U.S. PATENT DOCUMENTS

913,075	A	2/1909	Villard	
2,011,528	A	8/1935	Seay	
2,835,223	A	5/1958	Erickson	
3,654,645	A	4/1972	Lee	
3,677,322	A	7/1972	Brorson et al.	
5,371,982	A *	12/1994	Douglas	E01F 7/00 52/243.1
5,402,988	A *	4/1995	Eisele	E01F 13/022 160/351
6,027,104	A	2/2000	Alexander et al.	
6,123,321	A *	9/2000	Miller	A47D 13/065 160/135
D665,689	S *	8/2012	Mettler	D10/113.3
D715,173	S *	10/2014	Sebastian Manzanares	D10/113.3

D718,166	S *	11/2014	Tsuru	D10/113.3
2003/0197165	A1	10/2003	Perelli	
2012/0112148	A1	5/2012	Hammond	
2012/0256148	A1	10/2012	Sirotin et al.	
2015/0069312	A1	3/2015	Cooper et al.	

* cited by examiner

Primary Examiner — George D Kirschbaum

(74) *Attorney, Agent, or Firm* — Oyen Wiggs Green & Mutala LLP

(57) **CLAIM**

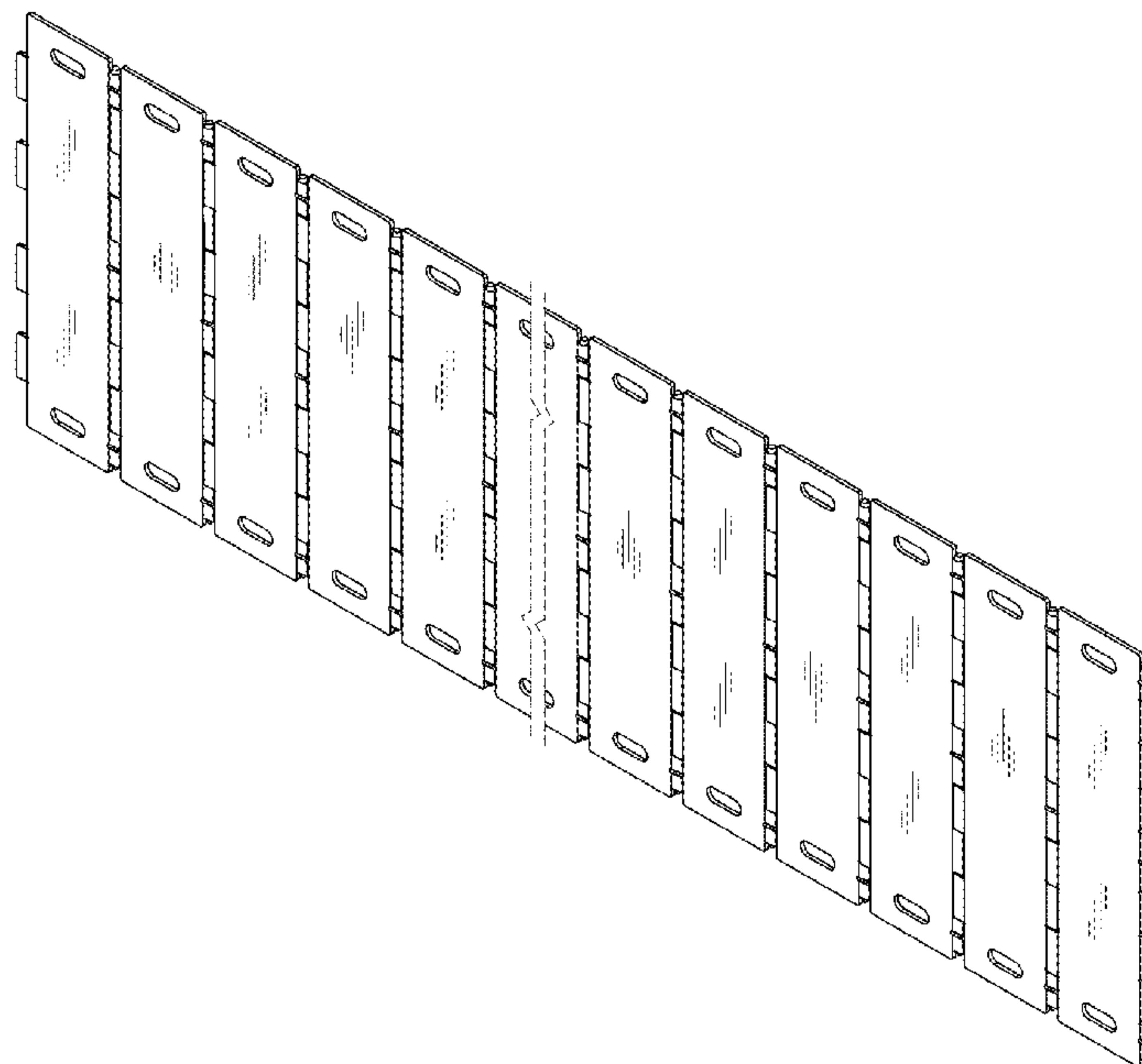
The ornamental design for a foldable safety barricade, as shown and described.

DESCRIPTION

FIG. 1 is a perspective view of the foldable safety barricade showing the design;
 FIG. 2 is a front view thereof;
 FIG. 3 is an end view thereof;
 FIG. 4 is a top view thereof;
 FIG. 5 is a perspective view of the foldable safety barricade in a configuration in which some of the panels have been rotated relative to one another;
 FIG. 6 is an enlarged partial view showing the engagement of two adjacent panels of the foldable safety barricade;
 FIG. 7 is an isometric view showing a panel of the foldable safety barricade; and,
 FIG. 8 is a second isometric view showing a panel of the foldable safety barricade.

The foldable safety barricade is shown with symbolic breaks in its length and height. The appearance of any portion of the article between the break lines forms no part of the claimed design.

1 Claim, 6 Drawing Sheets



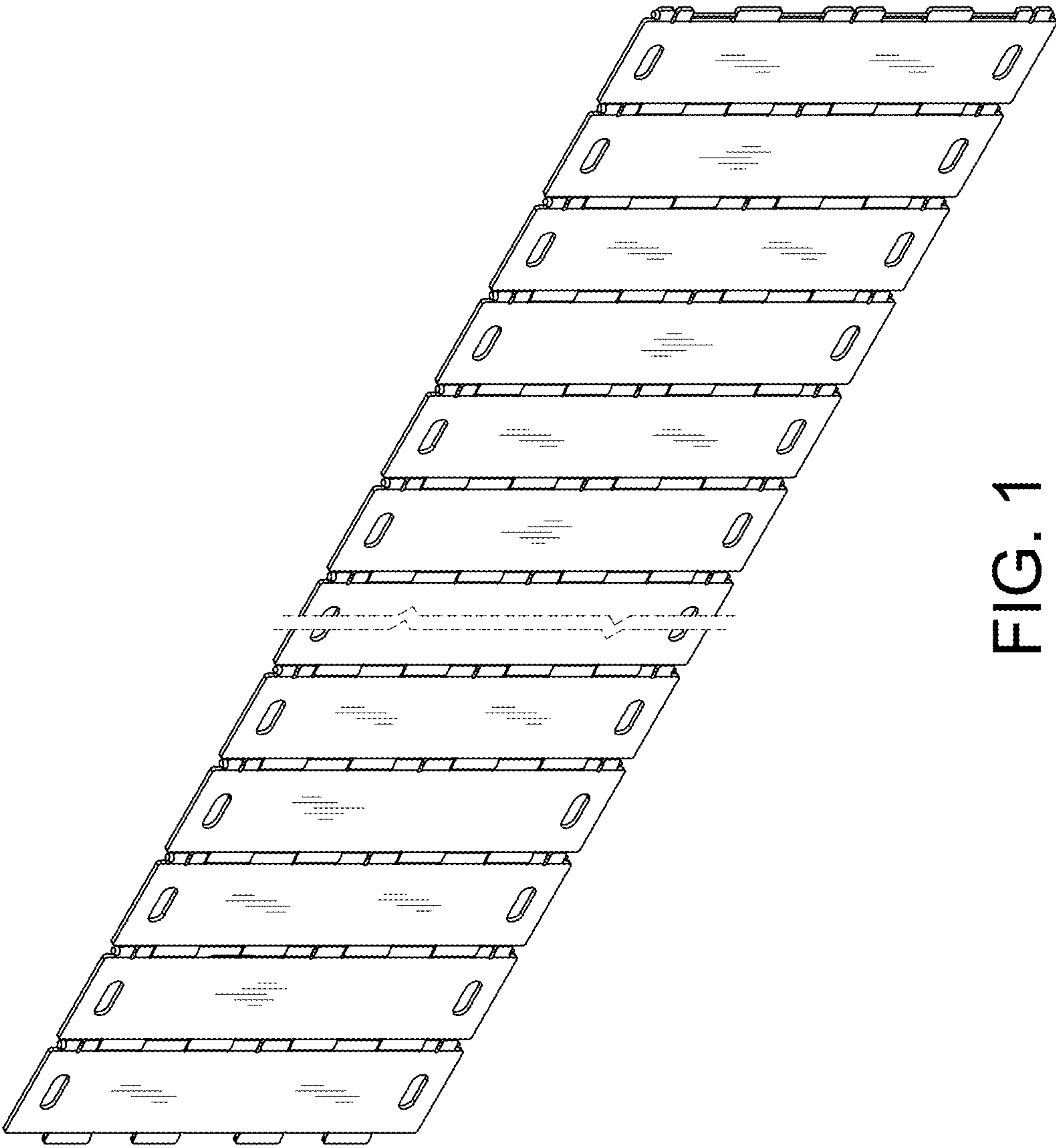


FIG. 1

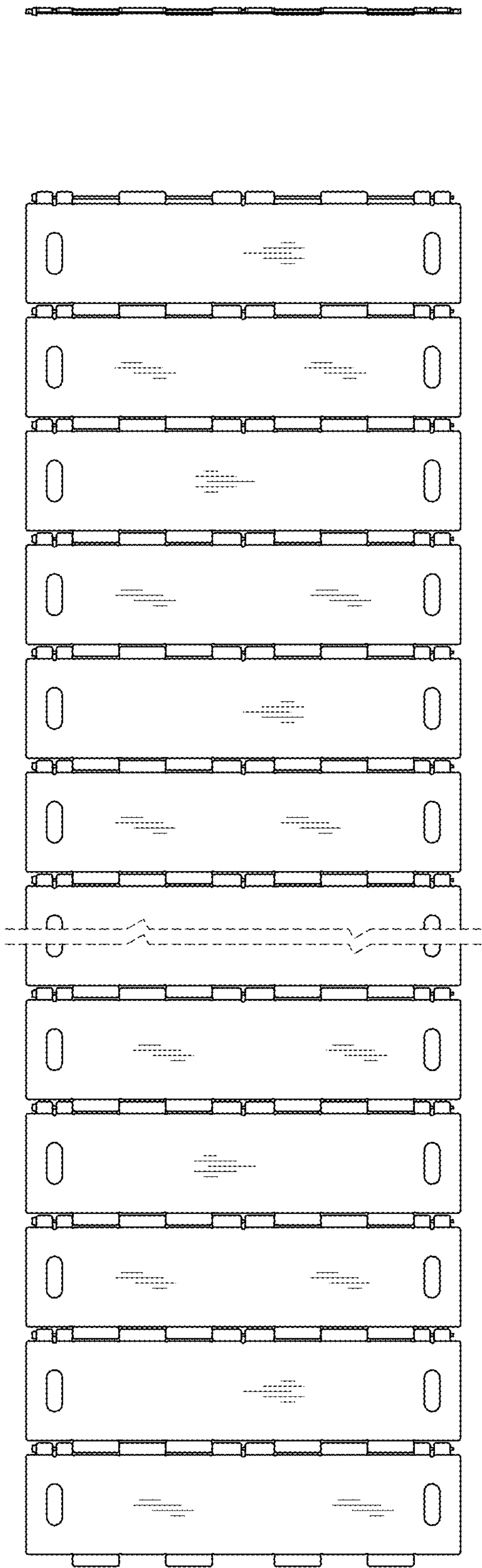


FIG. 2



FIG. 3

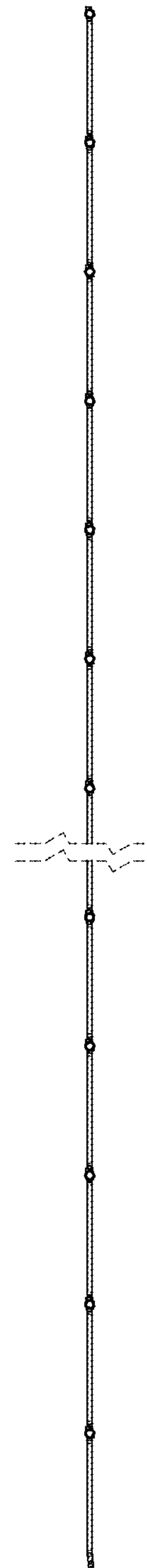


FIG. 4

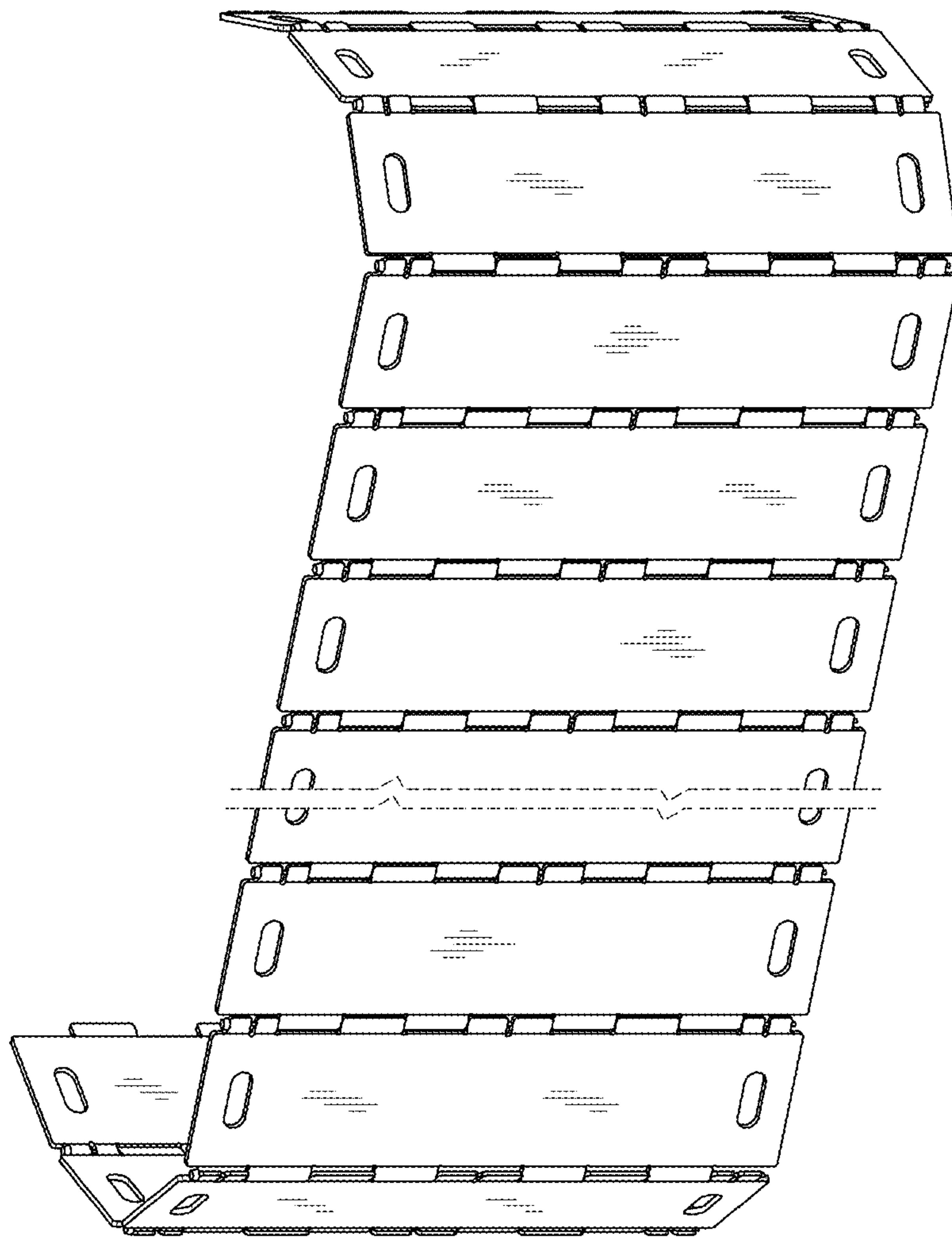


FIG. 5

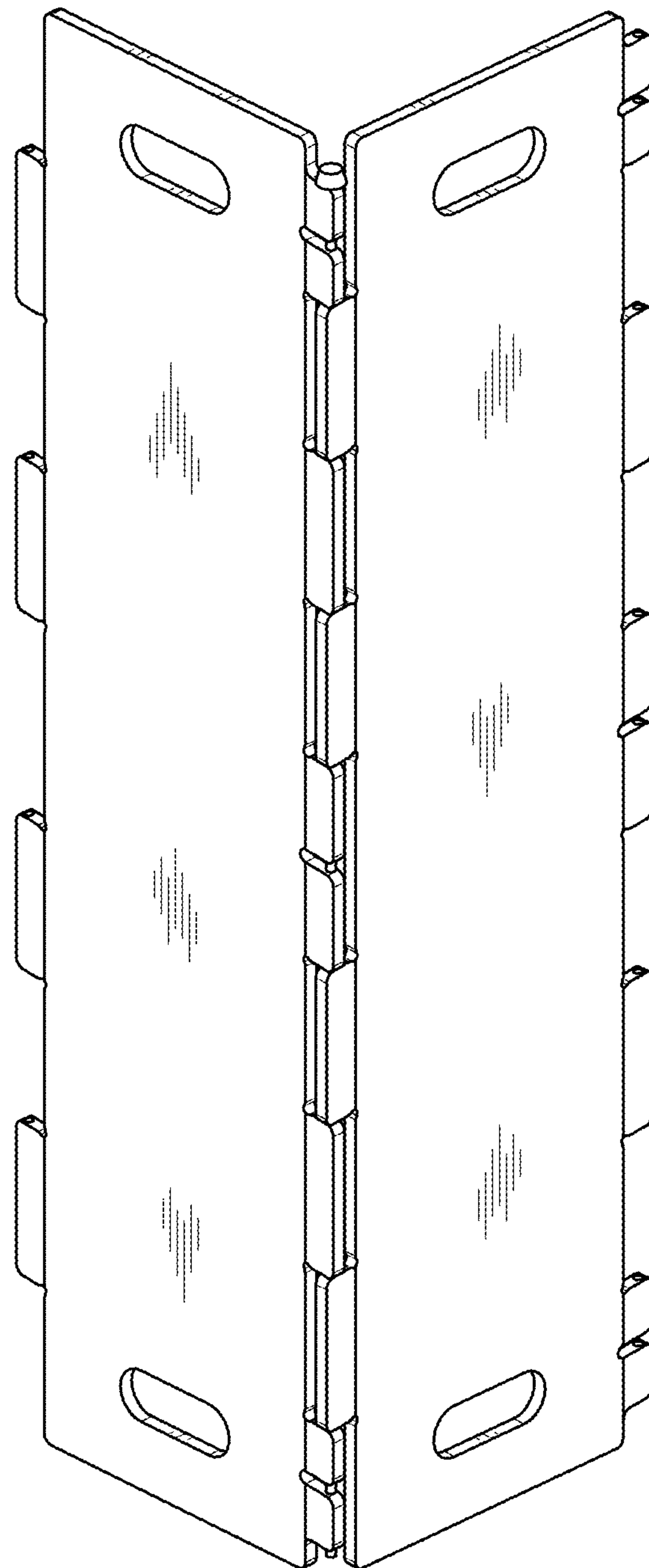


FIG. 6

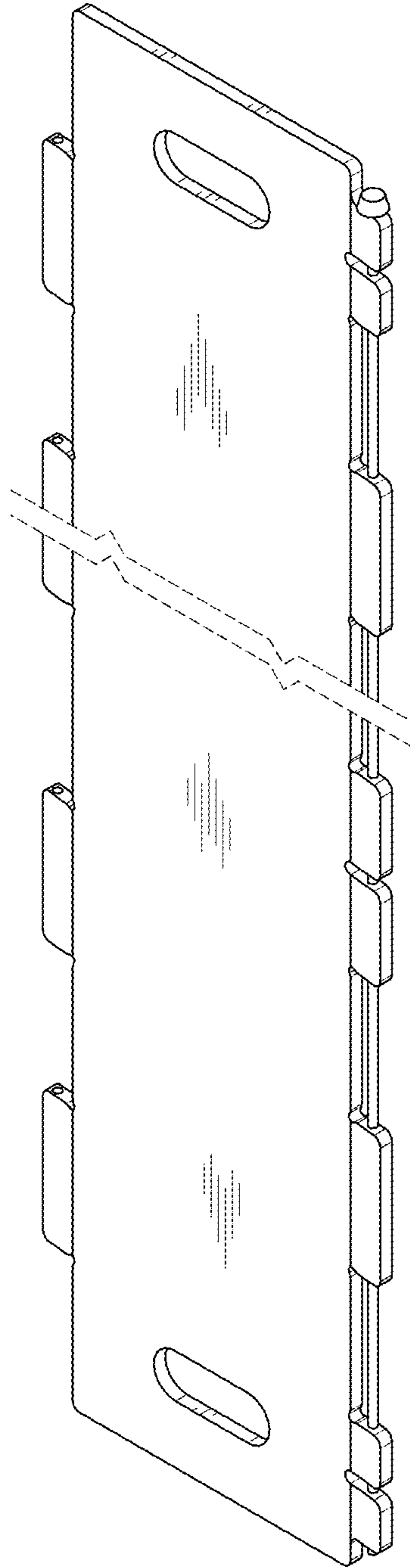


FIG. 7

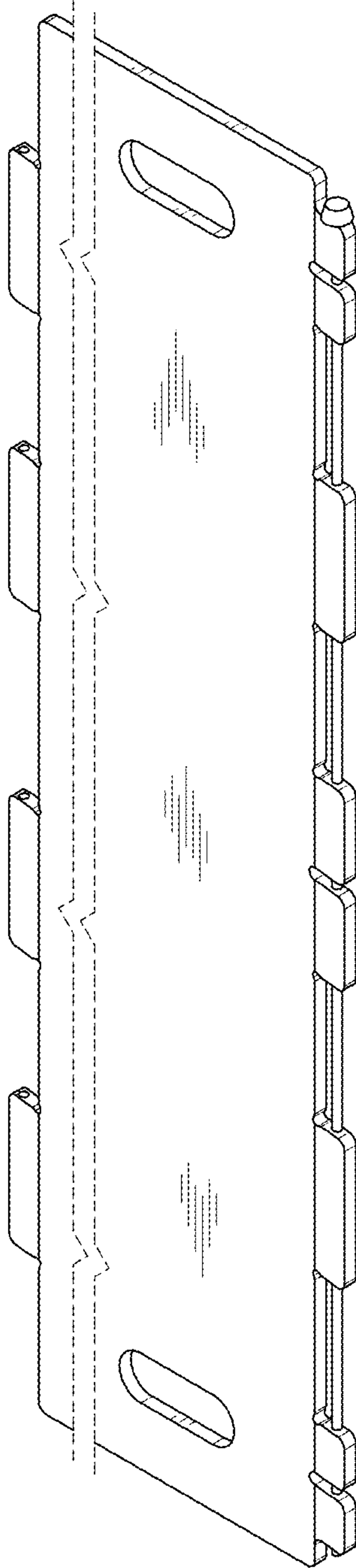


FIG. 8