



US00D778750S

(12) **United States Design Patent**
Phillips et al.

(10) **Patent No.:** **US D778,750 S**

(45) **Date of Patent:** **** Feb. 14, 2017**

(54) **ASSET TRACKING DEVICE**

8,646,199 B2 * 2/2014 Norman G09F 3/08
340/572.9

(71) Applicant: **BlackBerry Limited**, Waterloo (CA)

* cited by examiner

(72) Inventors: **Alison Phillips**, Toronto (CA); **Di Tao**, Toronto (CA)

Primary Examiner — George D Kirschbaum

(73) Assignee: **BlackBerry Limited**, Waterloo, Ontario (CA)

(74) *Attorney, Agent, or Firm* — Jon Gibbons; Fleit Gibbons Gutman Bongini & Bianco, P.L.

(**) Term: **15 Years**

(57) **CLAIM**

(21) Appl. No.: **29/542,425**

The ornamental design for an asset tracking device, as shown and described.

(22) Filed: **Oct. 14, 2015**

(51) **LOC (10) Cl.** **10-05**

DESCRIPTION

(52) **U.S. Cl.**

USPC **D10/106.9**

(58) **Field of Classification Search**

USPC D10/106.9, 106.93; D14/230

CPC G08B 13/2434; G09F 3/08

See application file for complete search history.

FIG. 1 is a first perspective view of the asset tracking device; FIG. 2 is a second perspective view thereof; FIG. 3 is a first elevational view thereof; FIG. 4 is a second elevational view thereof; FIG. 5 is a first side elevational view thereof; FIG. 6 is a second side elevational view thereof; FIG. 7 is a top plan view thereof; and, FIG. 8 is a bottom plan view thereof.

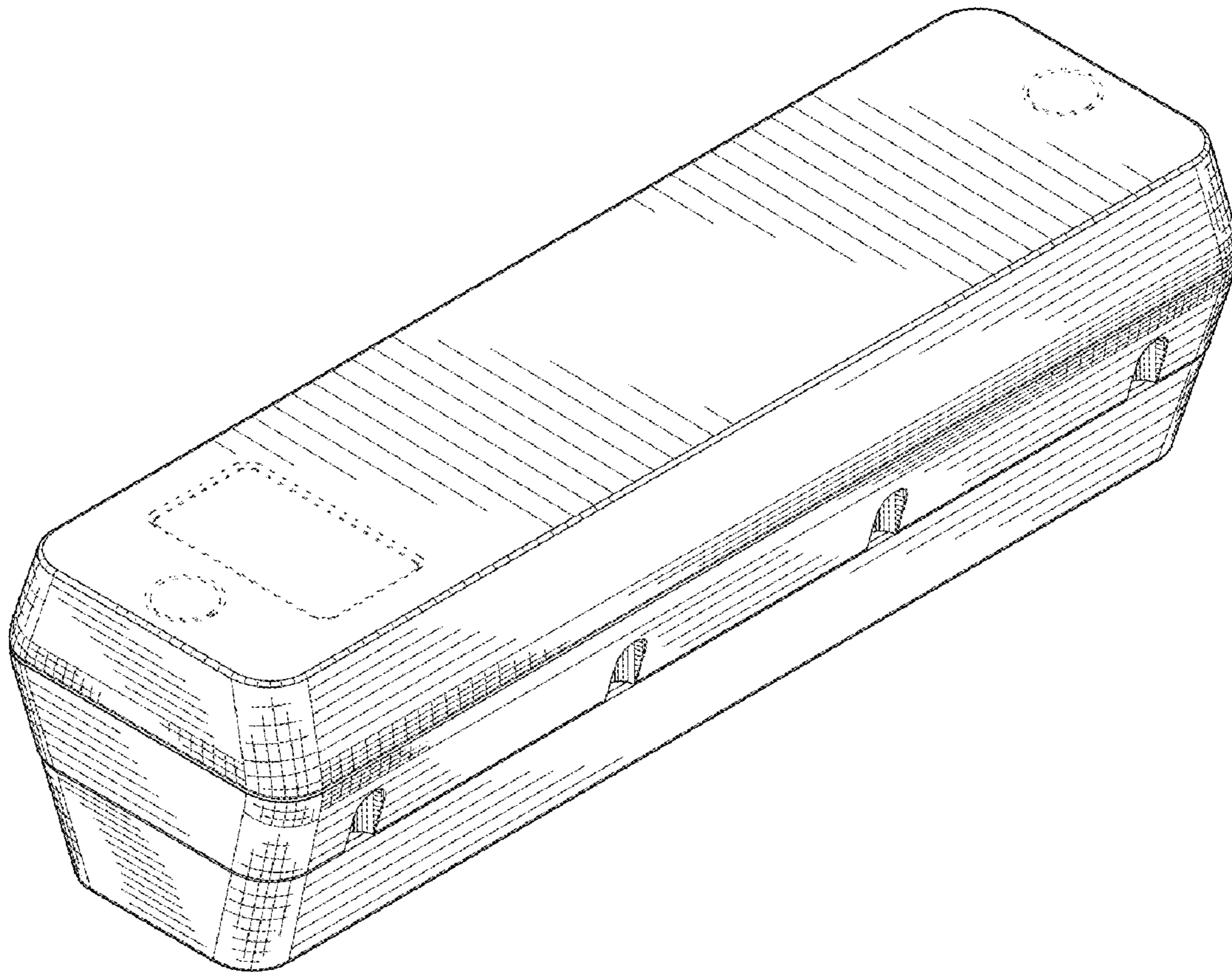
Broken lines shown in FIGS. 1 and 7 form no part of the claimed design.

(56) **References Cited**

U.S. PATENT DOCUMENTS

- D543,125 S * 5/2007 Feibelman D10/106.9
- D599,693 S * 9/2009 Sayegh D10/106.93
- D673,533 S * 1/2013 Ennabli D14/230

1 Claim, 4 Drawing Sheets



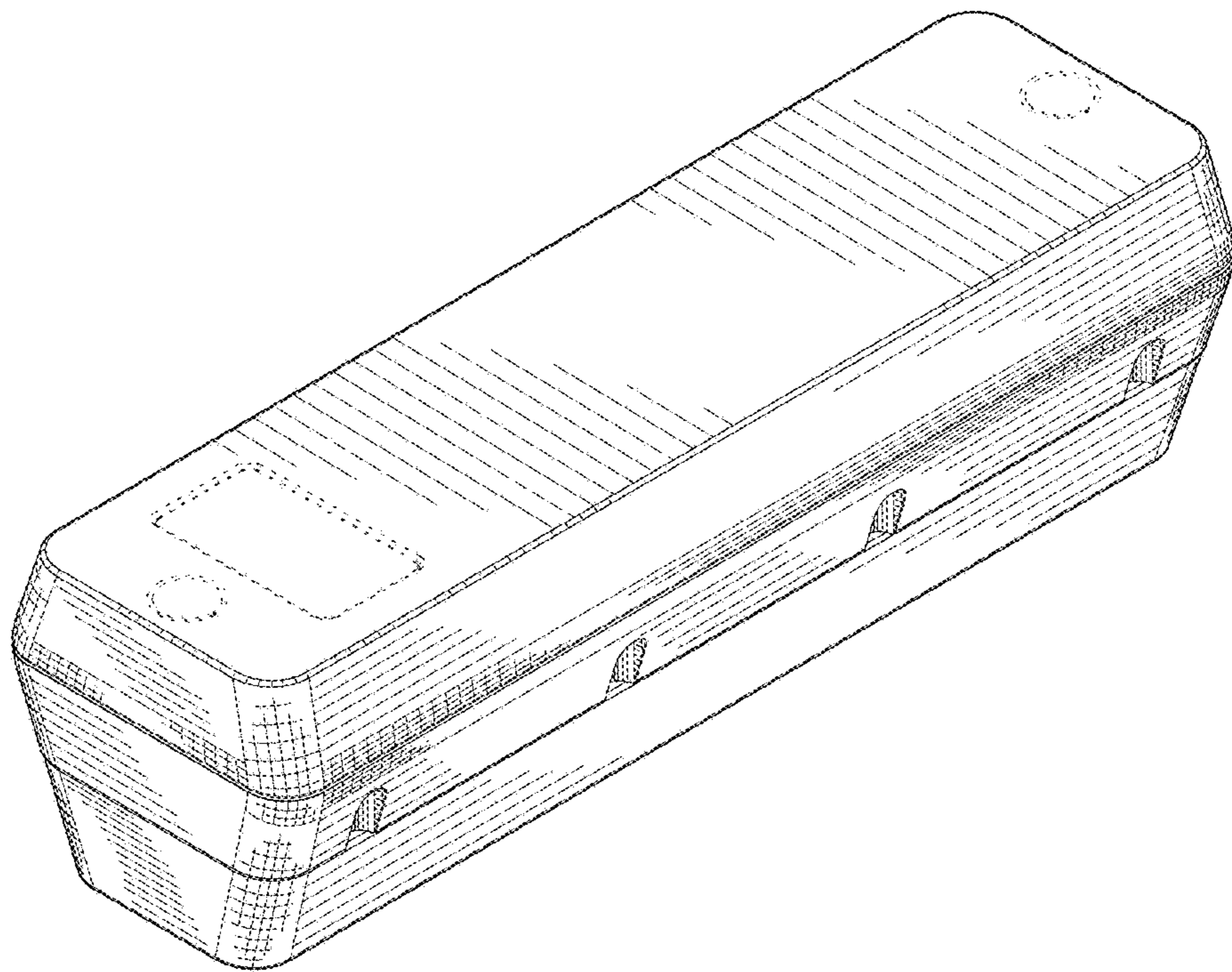


FIG. 1

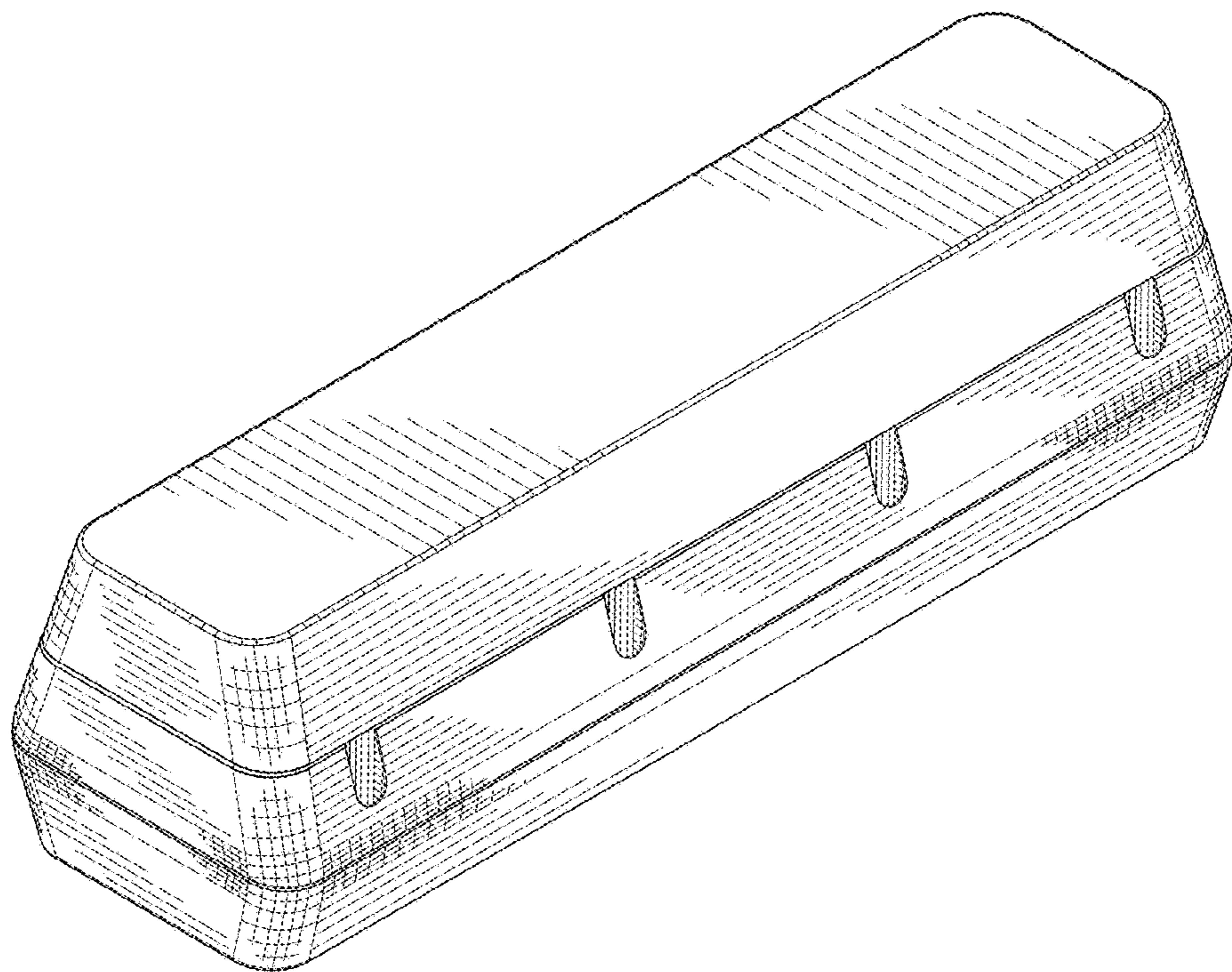


FIG. 2

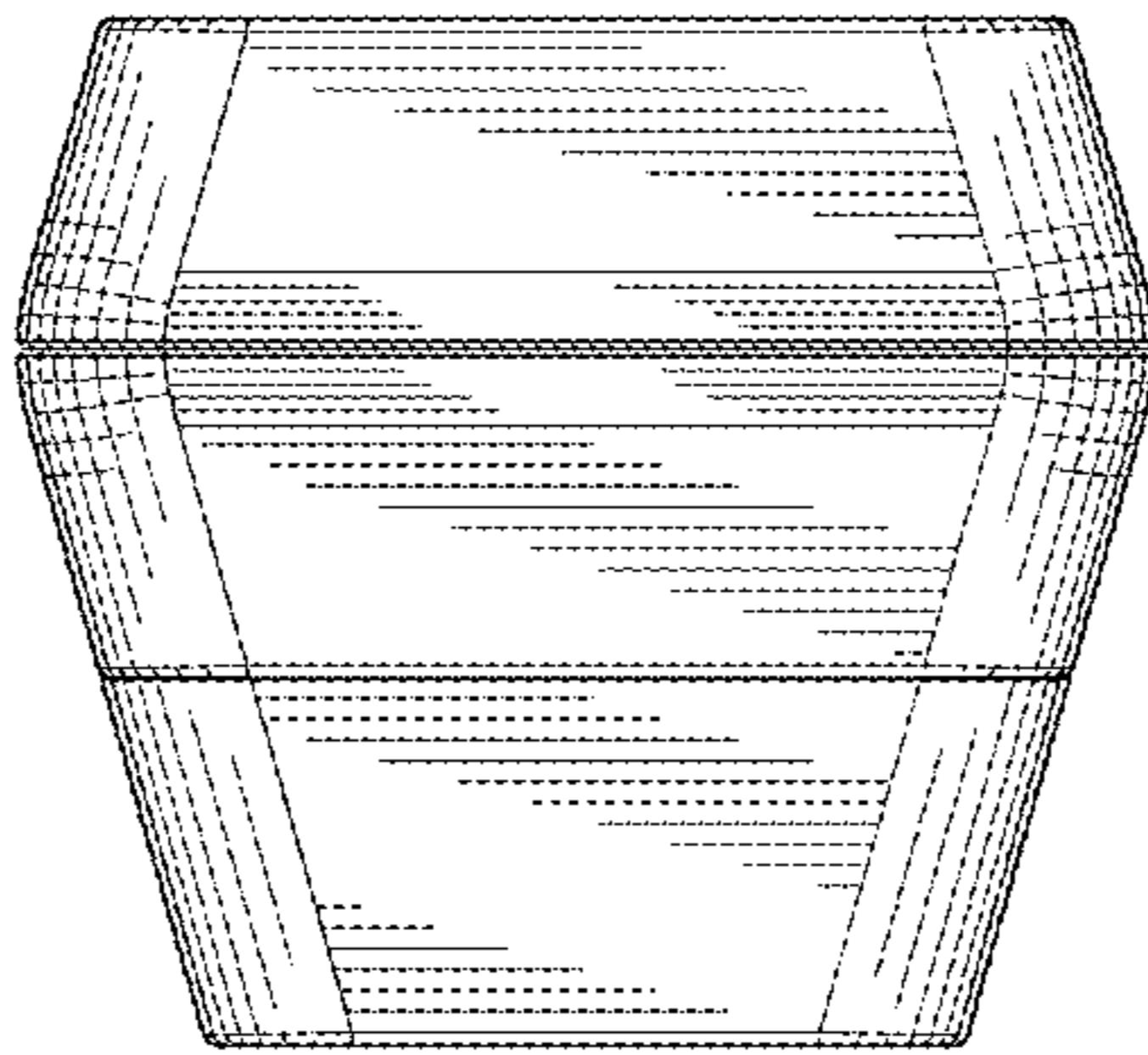


FIG.3

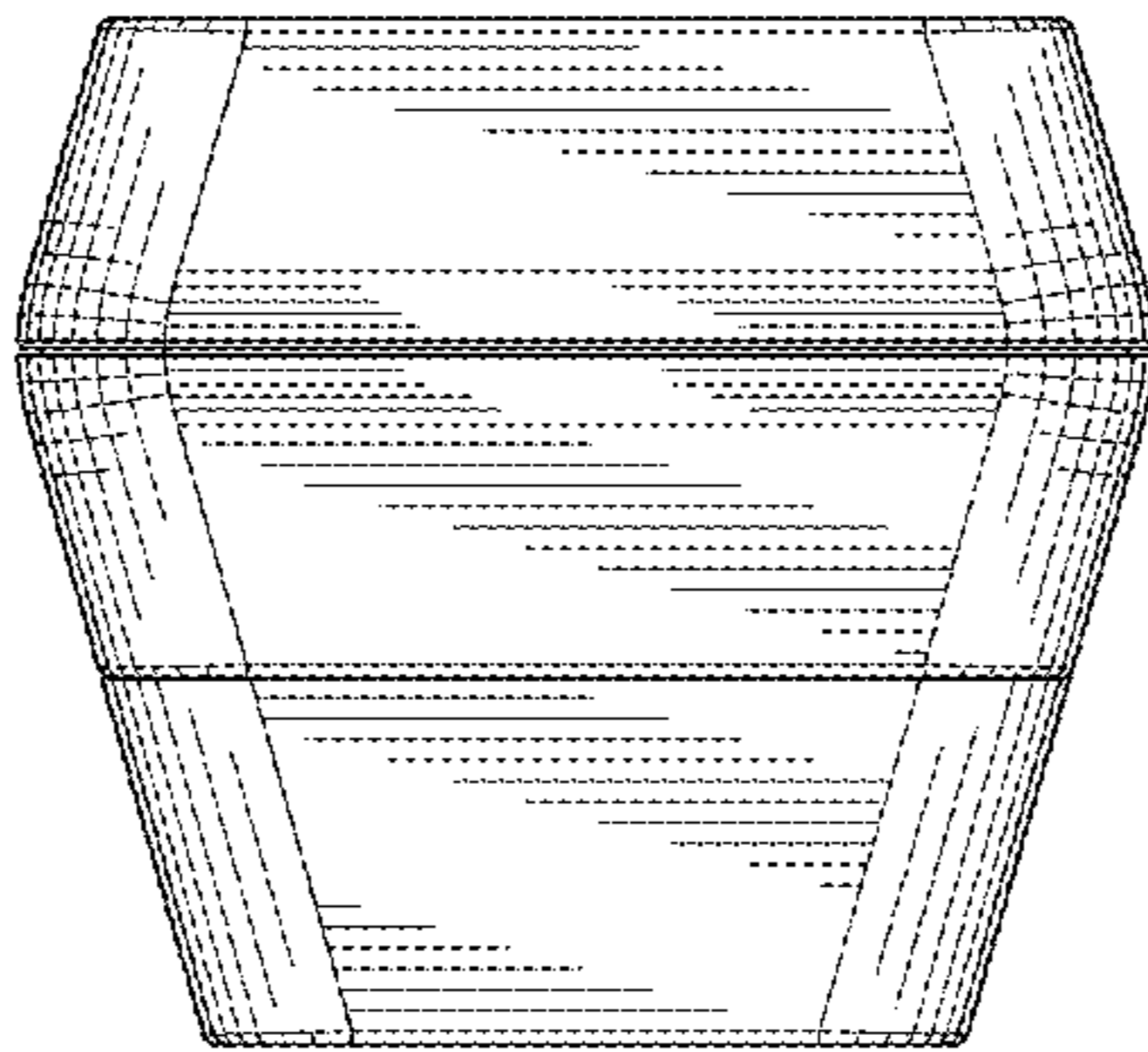


FIG.4

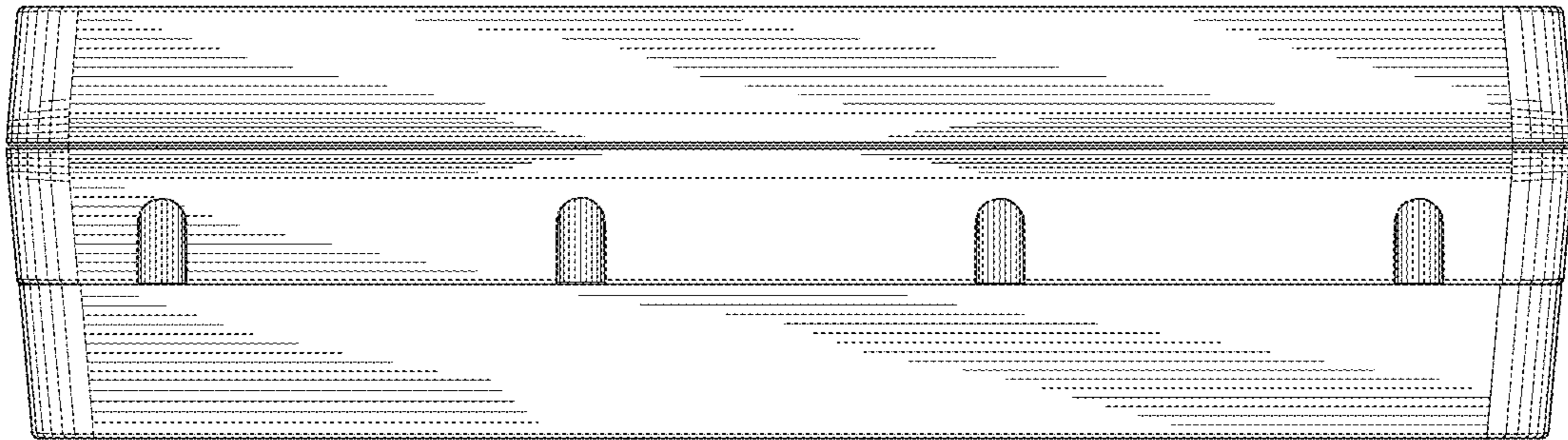


FIG. 5

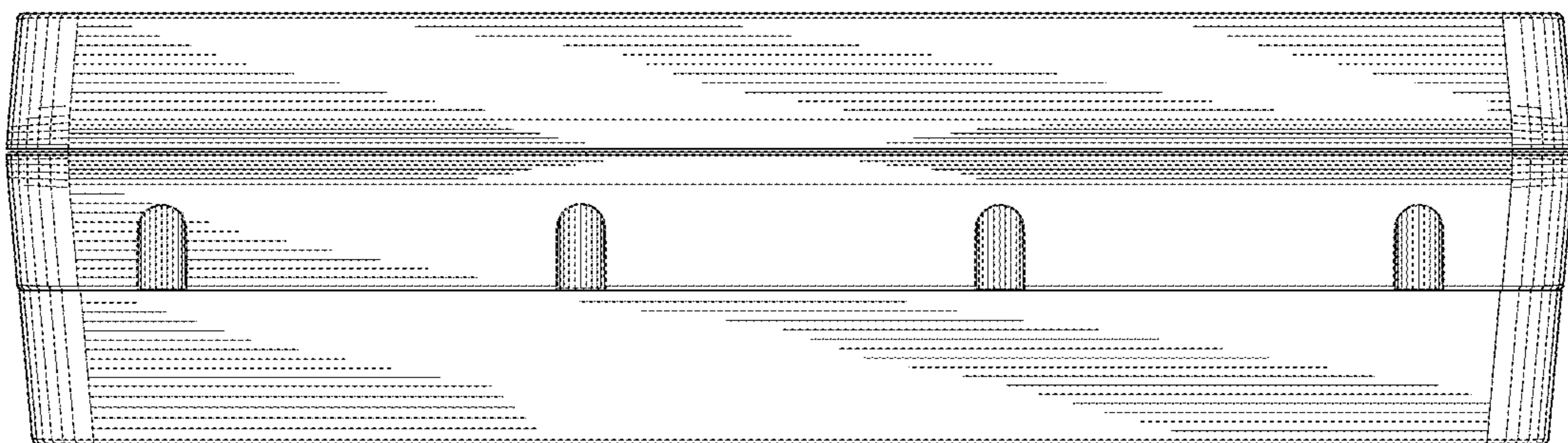


FIG. 6

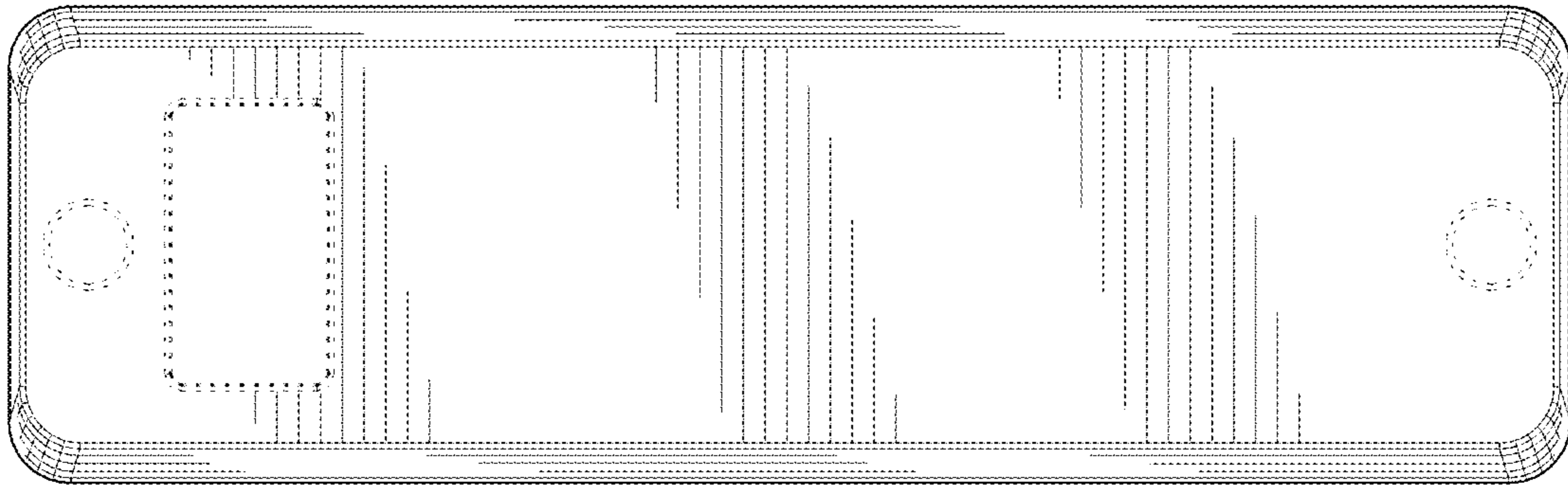


FIG.7

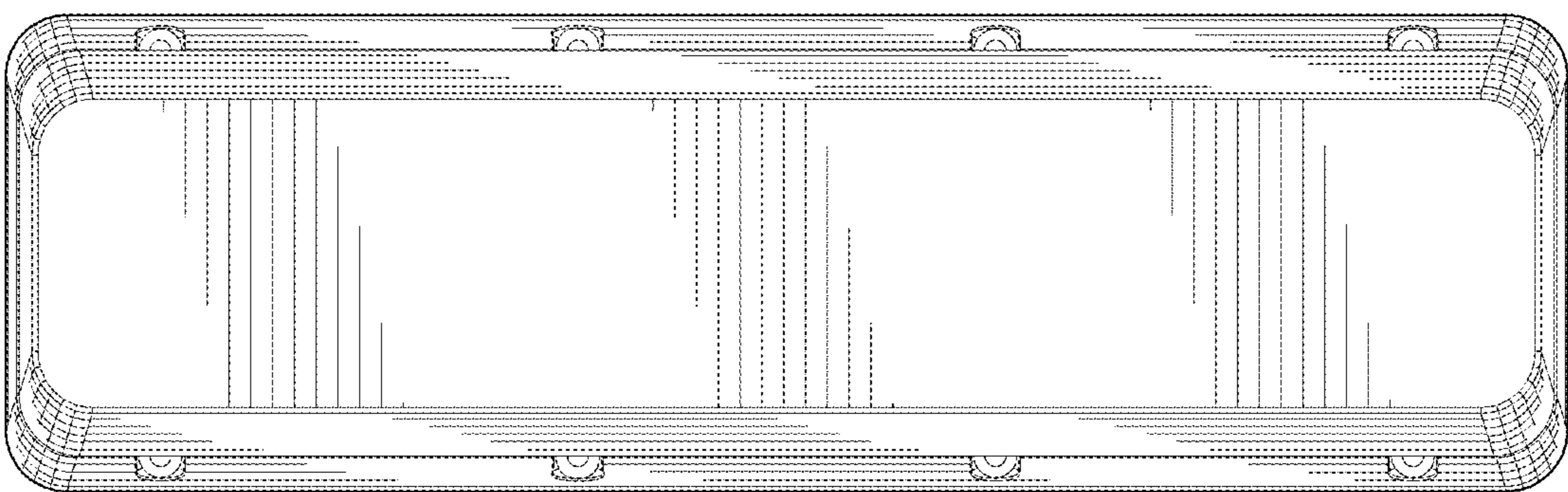


FIG.8