



US00D778748S

(12) **United States Design Patent**
Nugent

(10) **Patent No.:** **US D778,748 S**

(45) **Date of Patent:** **** Feb. 14, 2017**

(54) **WEIGHT SCALE APPARATUS**

(71) Applicant: **Dalman (Import & Export) Ltd,**
Bucks (GB)

(72) Inventor: **Jessica Nugent,** Bucks (GB)

(73) Assignee: **DALMAN (IMPORT & EXPORT)**
LTD. (GB)

(**) Term: **15 Years**

(21) Appl. No.: **29/538,940**

(22) Filed: **Sep. 9, 2015**

(51) **LOC (10) Cl.** **10-04**

(52) **U.S. Cl.**
USPC **D10/94**

(58) **Field of Classification Search**
USPC D10/87, 88, 89, 90, 91, 92, 93, 94
CPC A61B 5/053; A61B 5/4872; A61B 5/0537;
A61B 5/4869; A61B 5/6825; A61B
5/6829; A61B 5/7445; G01G
19/44; G01G 19/445; G01G 19/46; G01G
19/48; G01G 19/50; G01G 21/28; G01G
21/283; G01G 19/286; G01G 19/30
See application file for complete search history.

(56) **References Cited**

U.S. PATENT DOCUMENTS

7,710,714 B2 * 5/2010 Rapp G01G 21/283
177/182
D738,764 S * 9/2015 Kovacs D10/92

FOREIGN PATENT DOCUMENTS

CN 204202735 3/2015

* cited by examiner

Primary Examiner — Antoine D Davis

(74) *Attorney, Agent, or Firm* — Duane Morris LLP;
David T. Xue

(57) **CLAIM**

The ornamental design for a weight scale apparatus, as shown and described in the Figures.

DESCRIPTION

FIG. 1 is a perspective view of the front, right, and top of the weight scale apparatus in a closed state;

FIG. 2 is a perspective view of the front, left, and bottom of the weight scale apparatus in a closed state;

FIG. 3 is a top plan view of the weight scale apparatus in a closed state;

FIG. 4 is a bottom plan view of the weight scale apparatus in the closed state;

FIG. 5 is a front view of the weight scale apparatus in the closed state;

FIG. 6 is a rear view of the weight scale apparatus in the closed state;

FIG. 7 is a left side view of the weight scale apparatus in the closed state;

FIG. 8 is a right side view of the weight scale apparatus in the closed state;

FIG. 9 is a perspective view of the front, right, and top of the weight scale apparatus in the open state;

FIG. 10 is a perspective view of the front, left, and bottom of the weight scale apparatus in the open state;

FIG. 11 is a top plan view of the weight scale apparatus in the open state;

FIG. 12 is a bottom plan view of the weight scale apparatus in the open state;

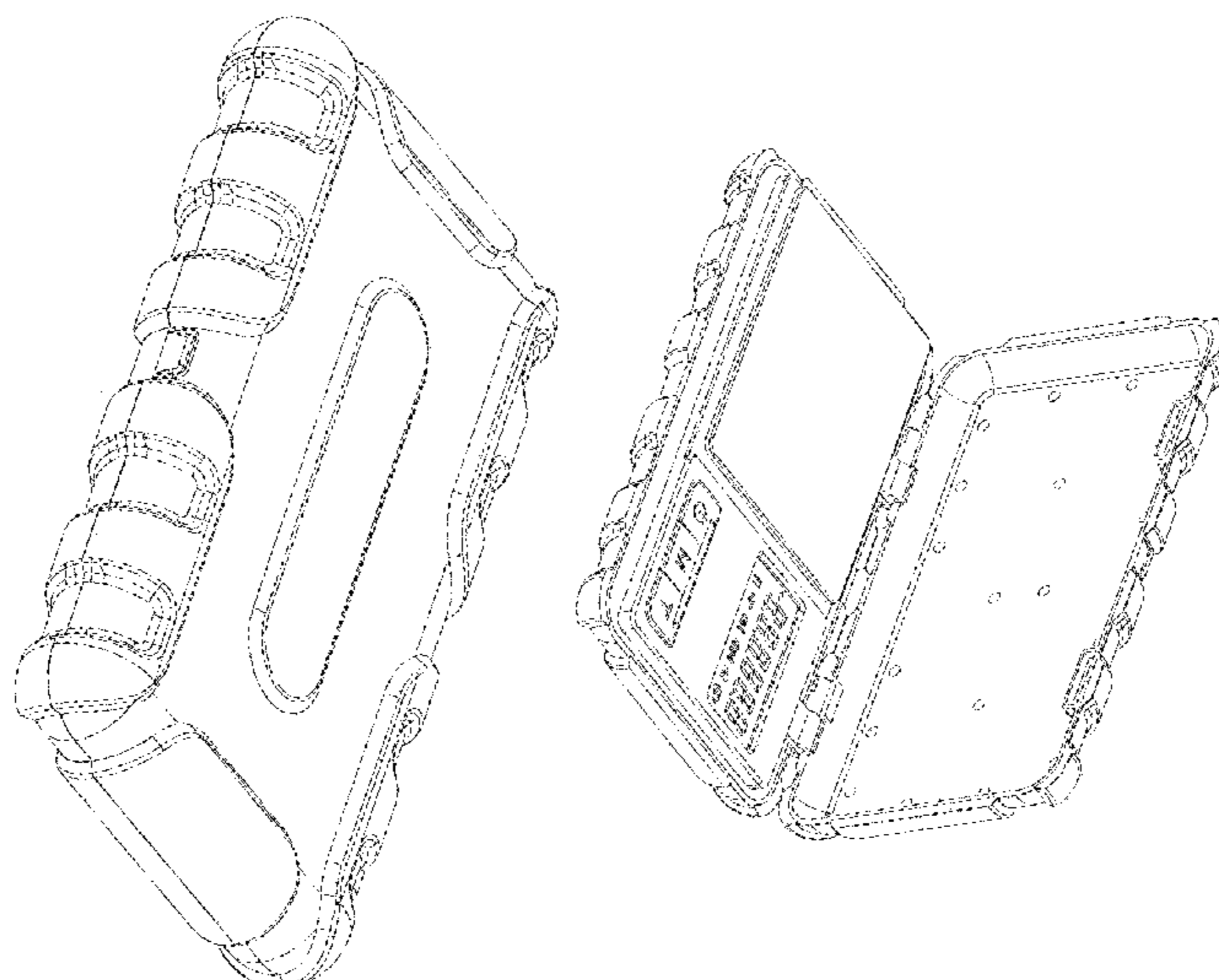
FIG. 13 is a front view of the weight scale apparatus in the open state;

FIG. 14 is rear view of the weight scale apparatus in the open state;

FIG. 15 is a left side view of the weight scale apparatus in the open state; and,

FIG. 16 is a right side view of the weight scale apparatus in the open state.

1 Claim, 16 Drawing Sheets



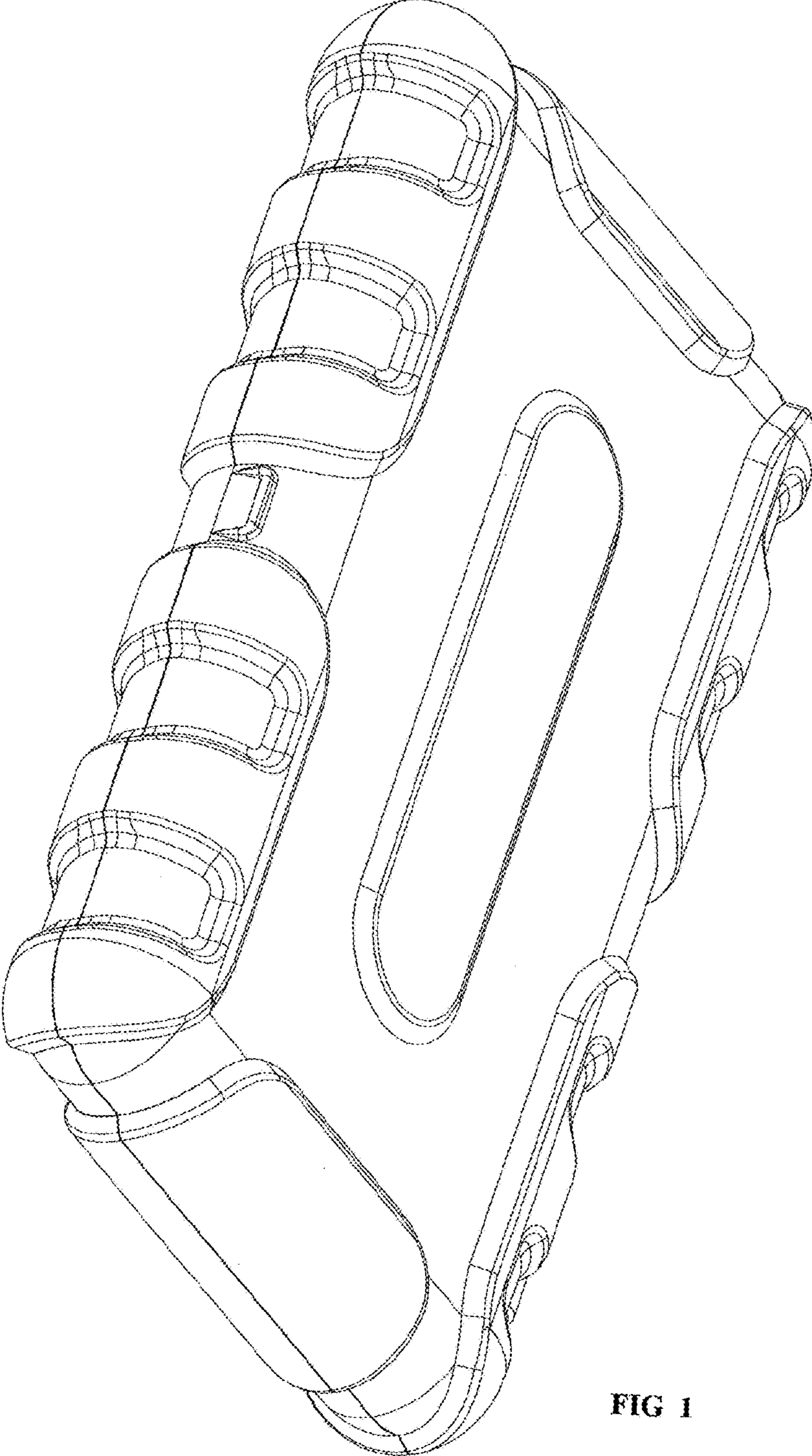


FIG 1

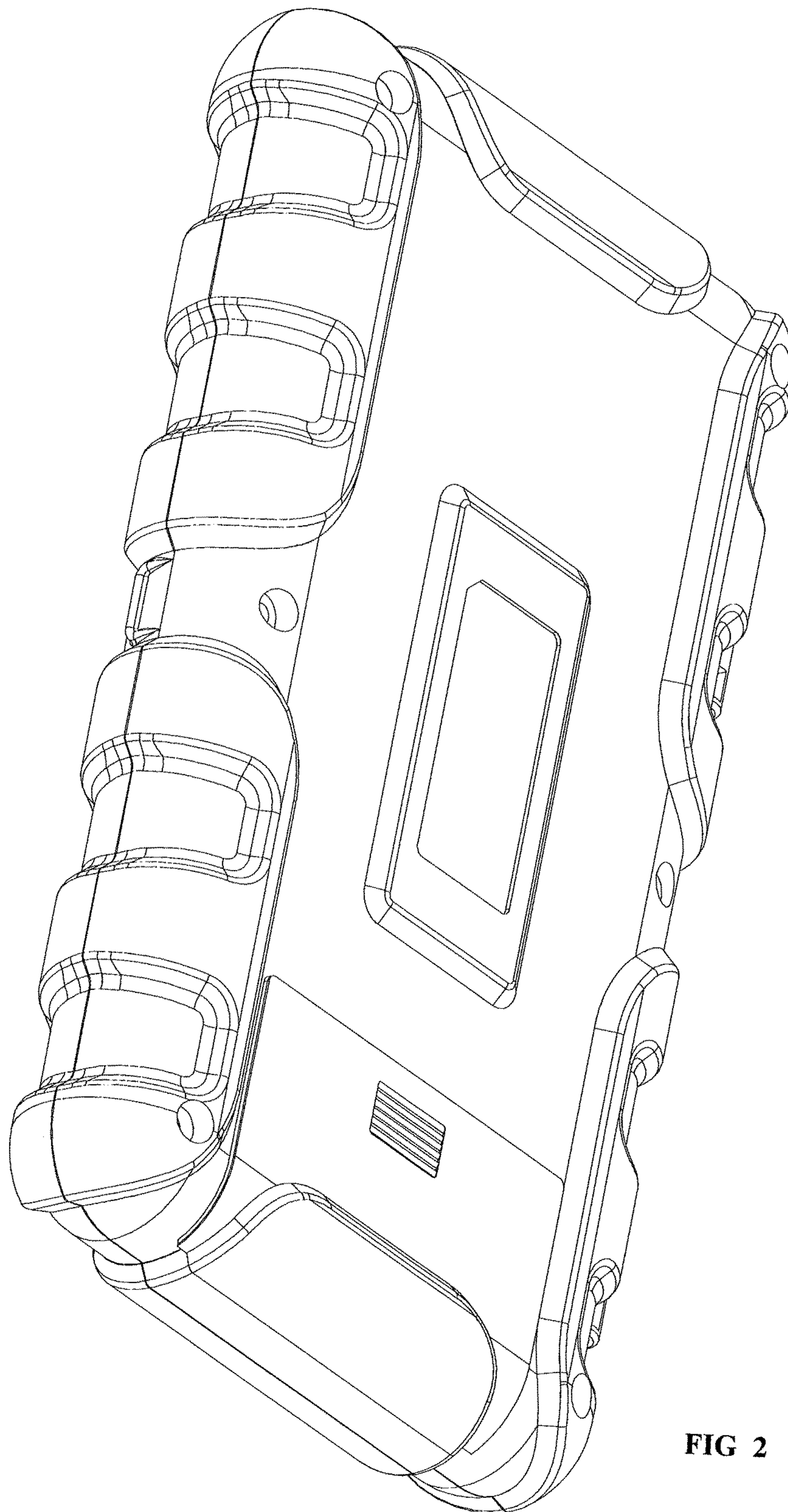


FIG 2

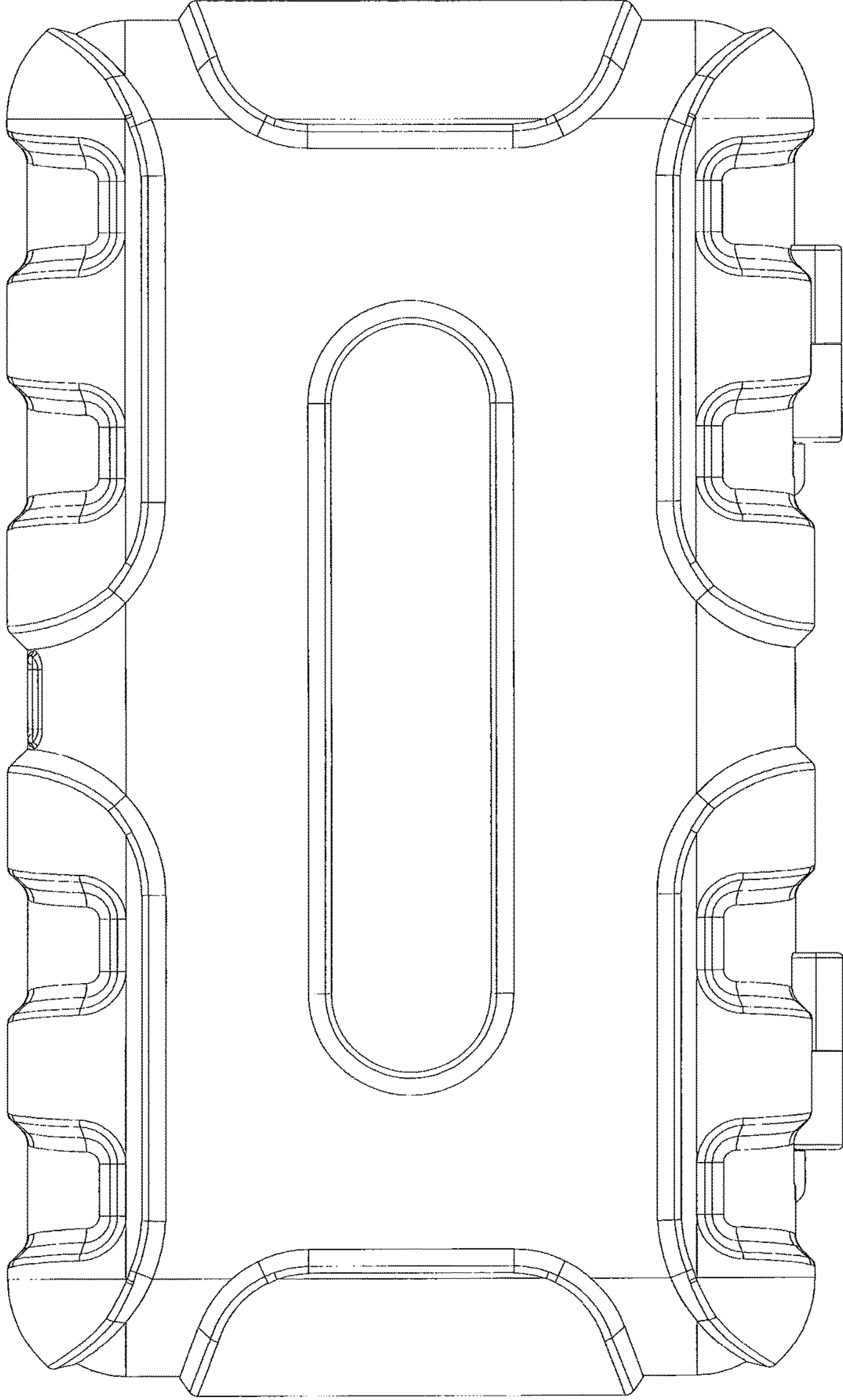


FIG 3

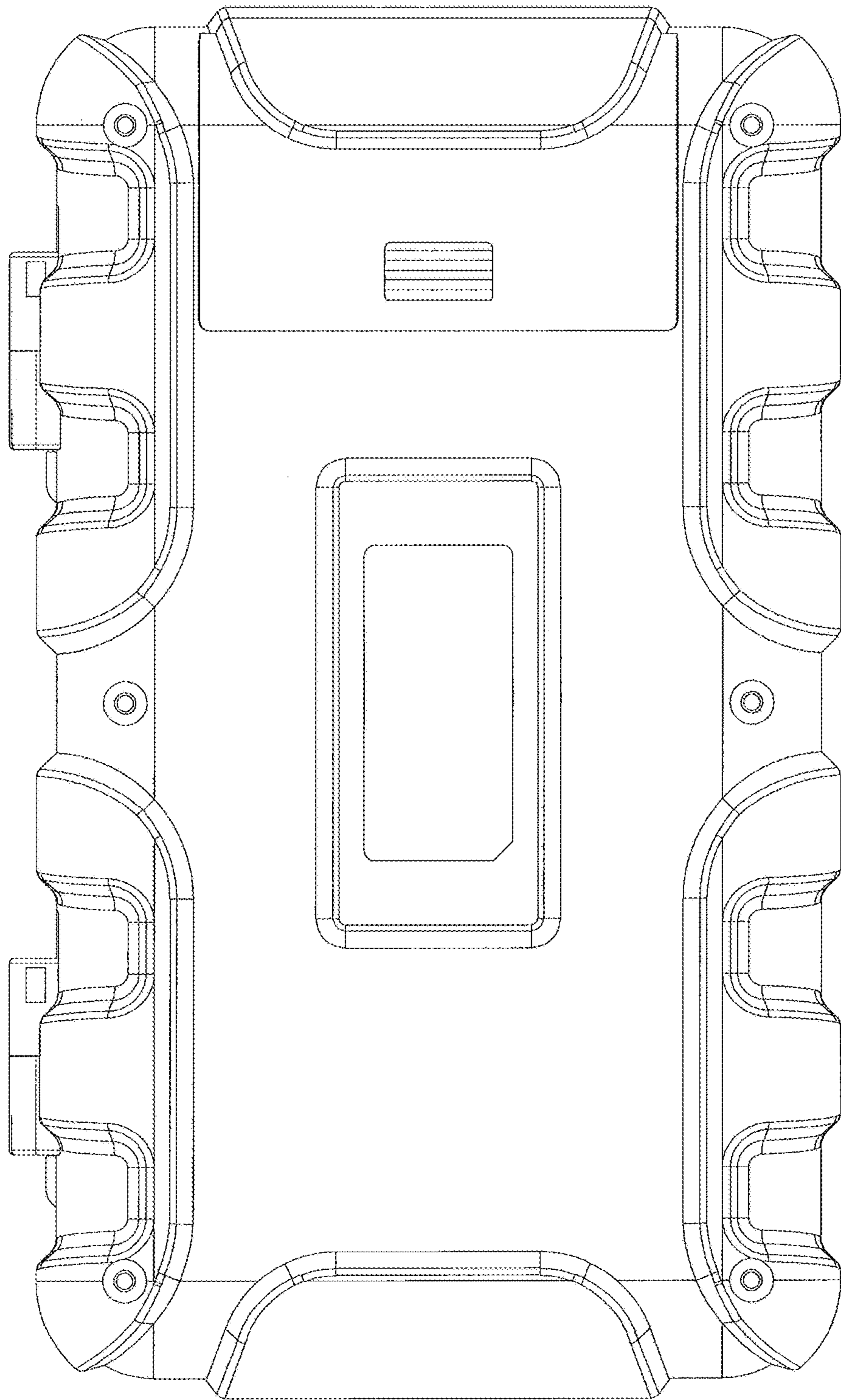


FIG 4

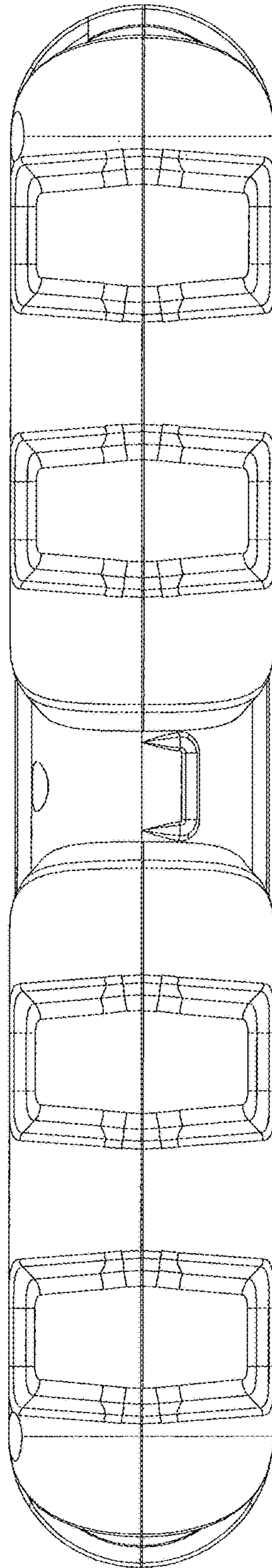


FIG 5

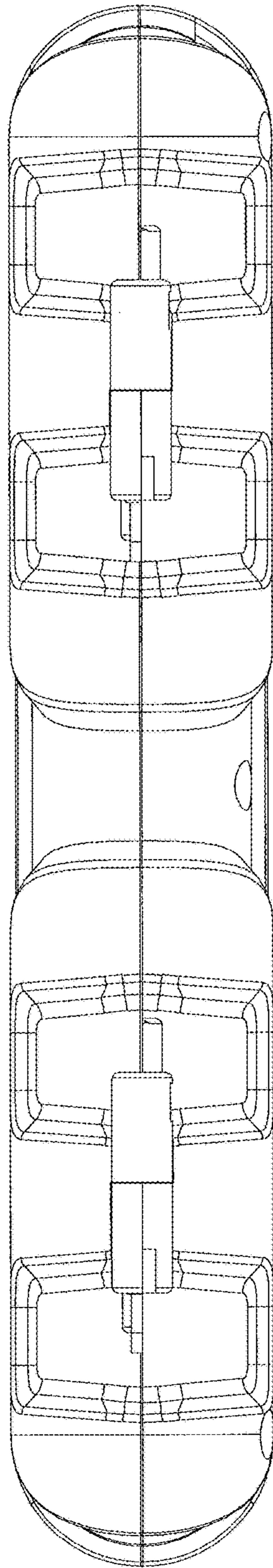


FIG 6

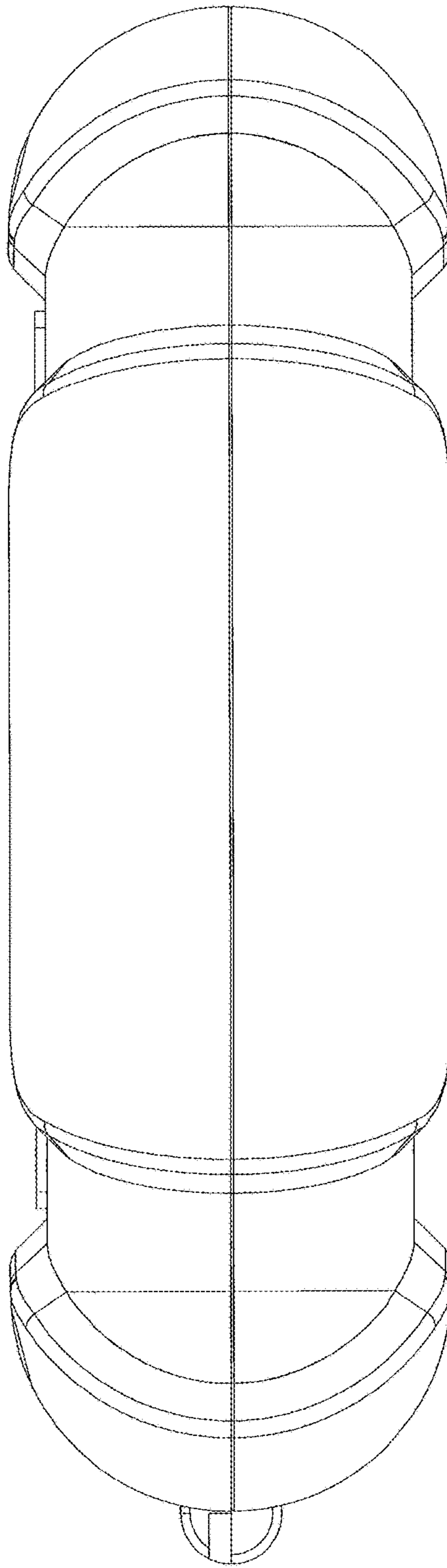


FIG 7

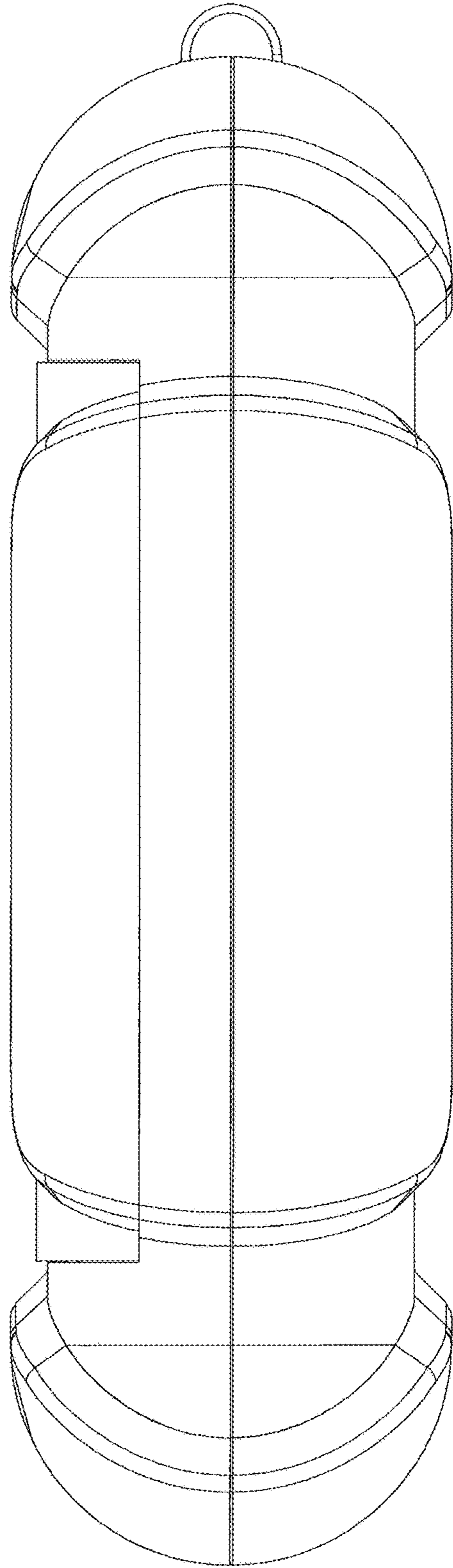


FIG 8

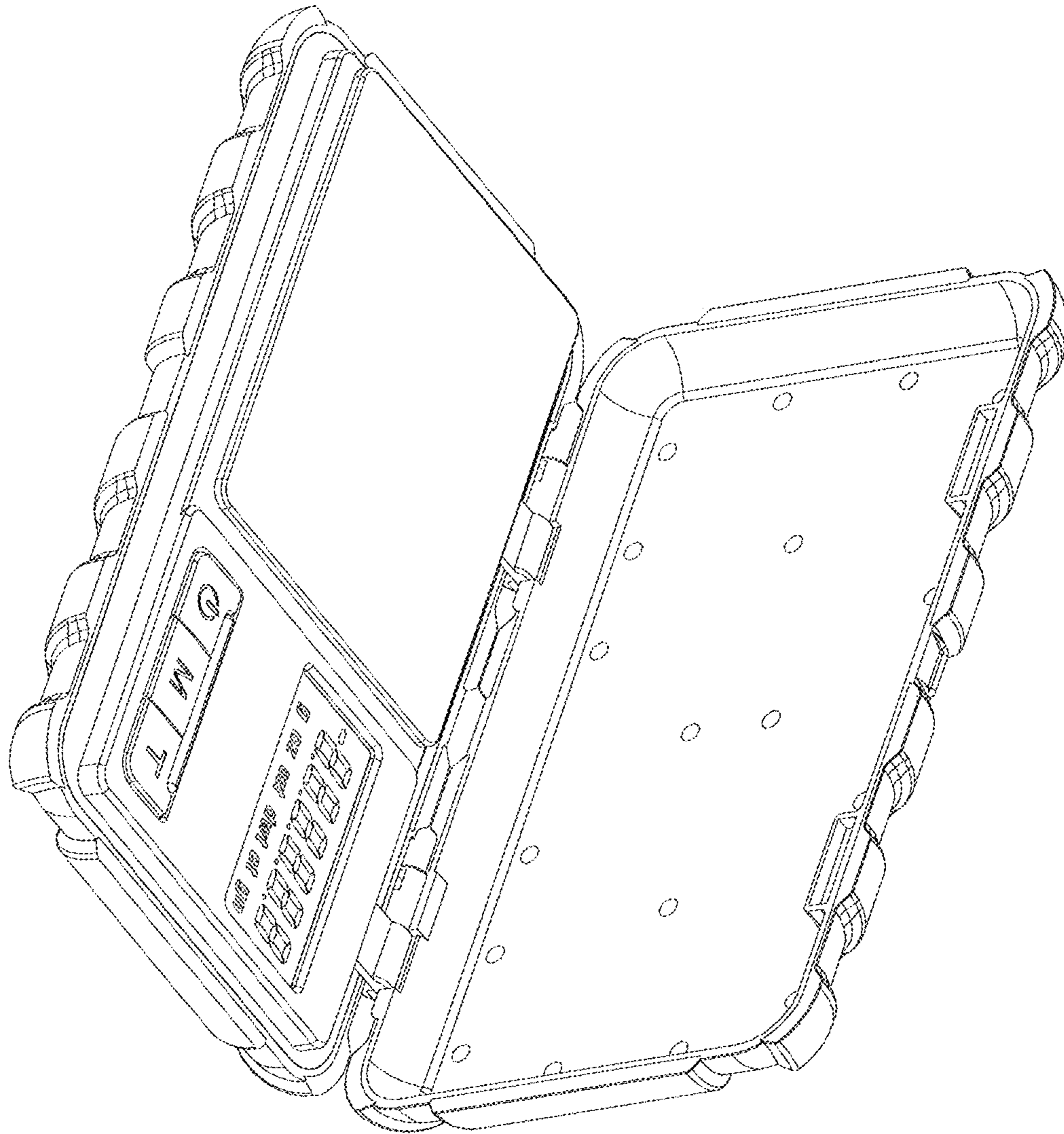


FIG 9

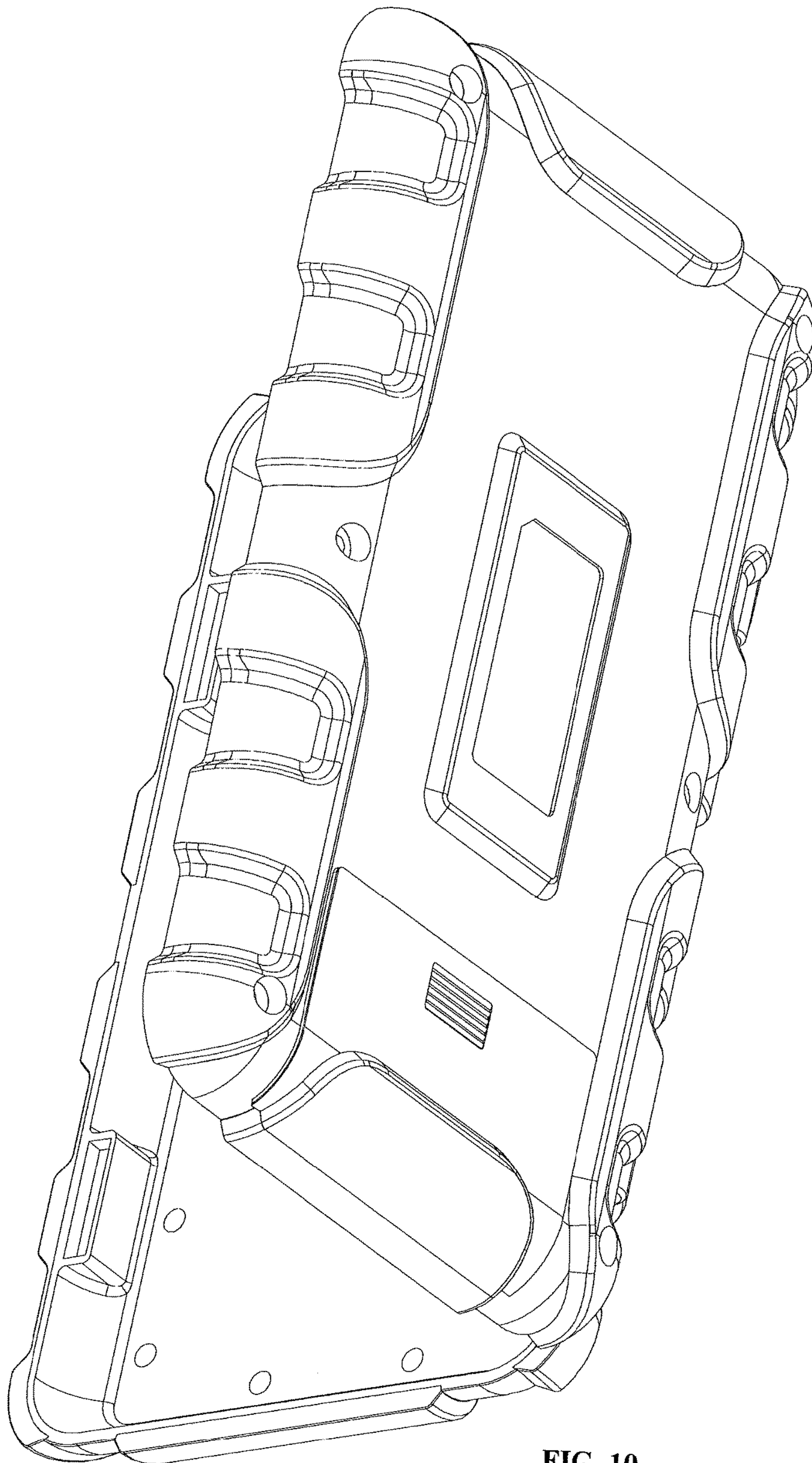


FIG 10

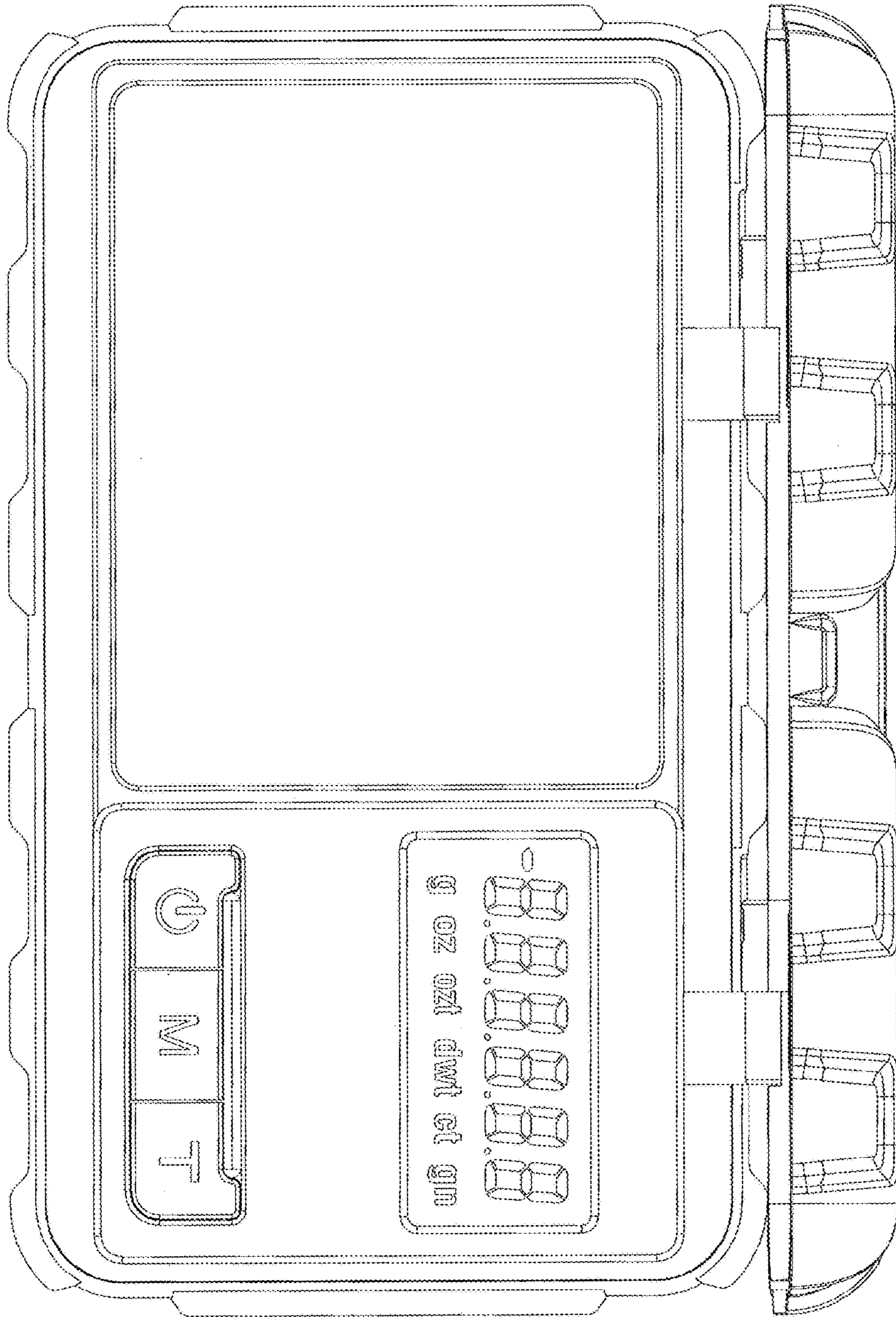


FIG 11

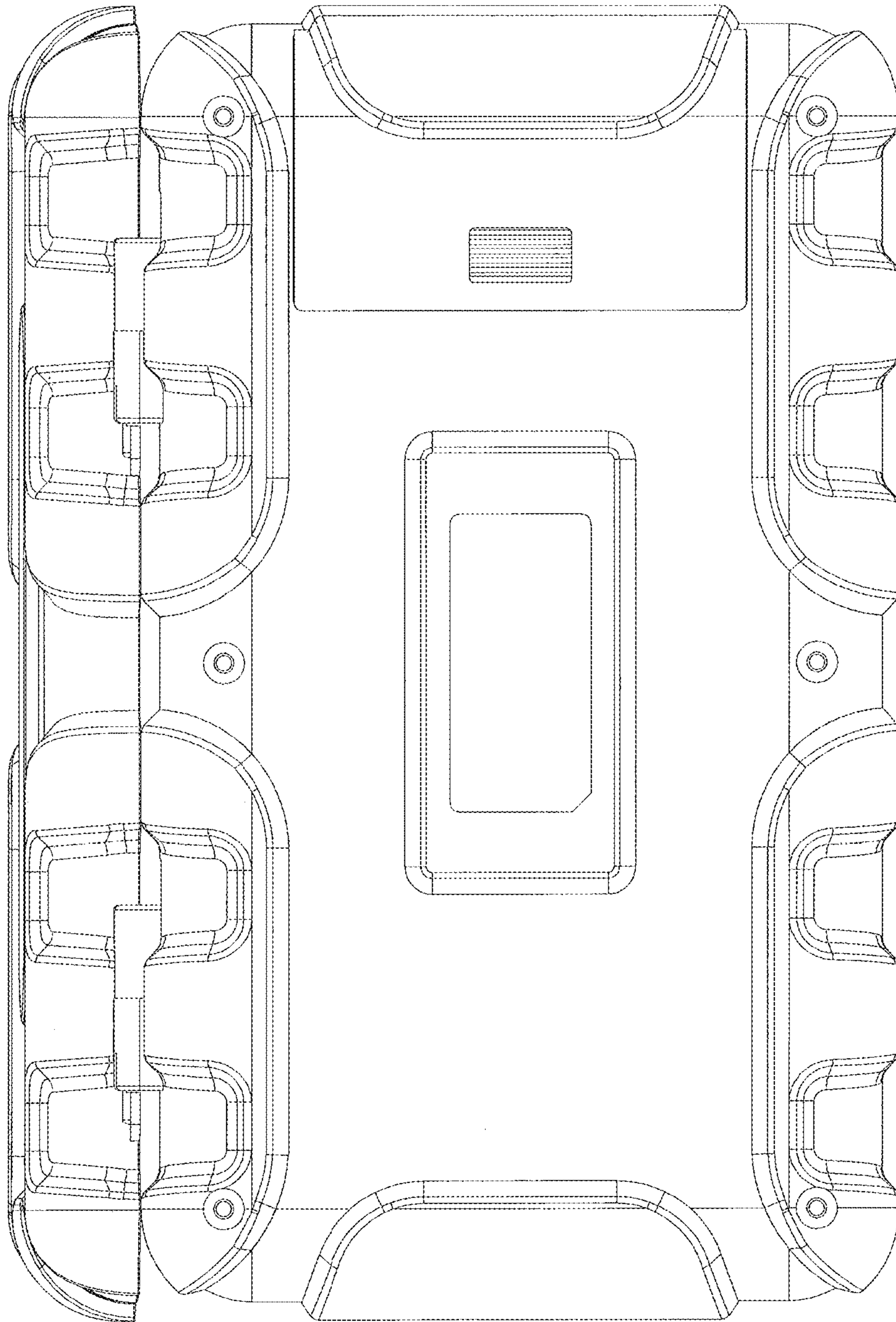


FIG 12

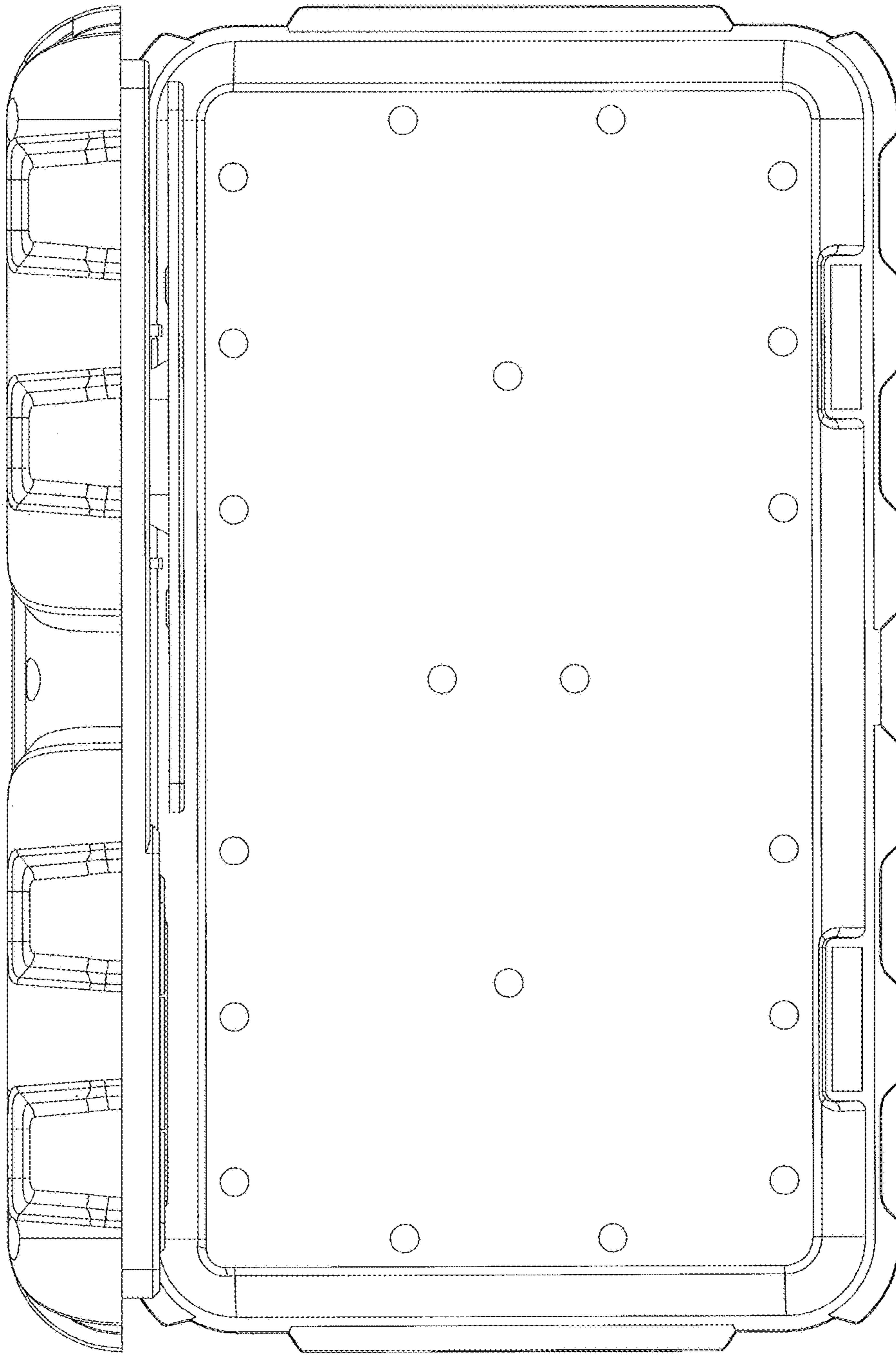


FIG 13

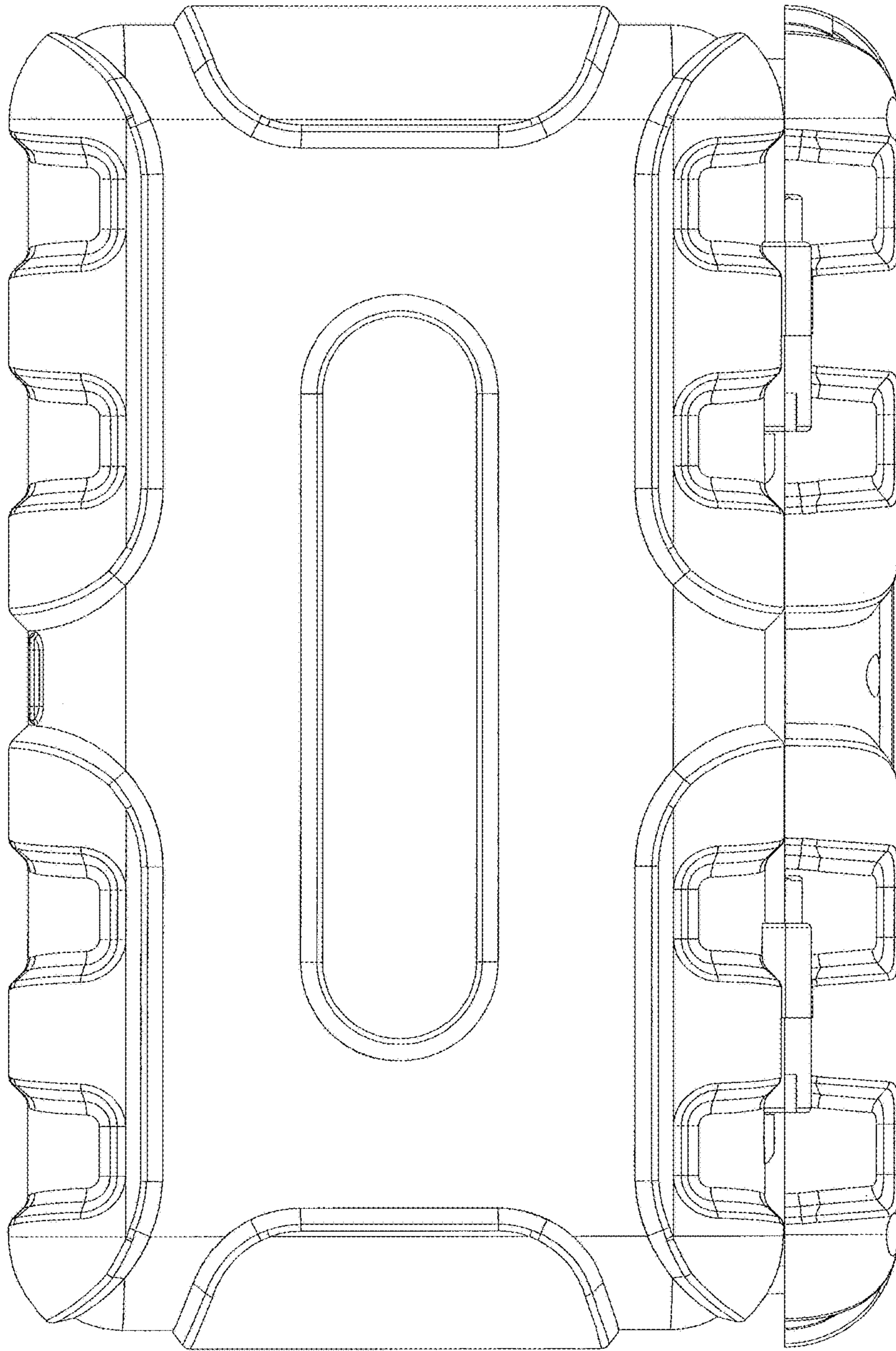


FIG 14

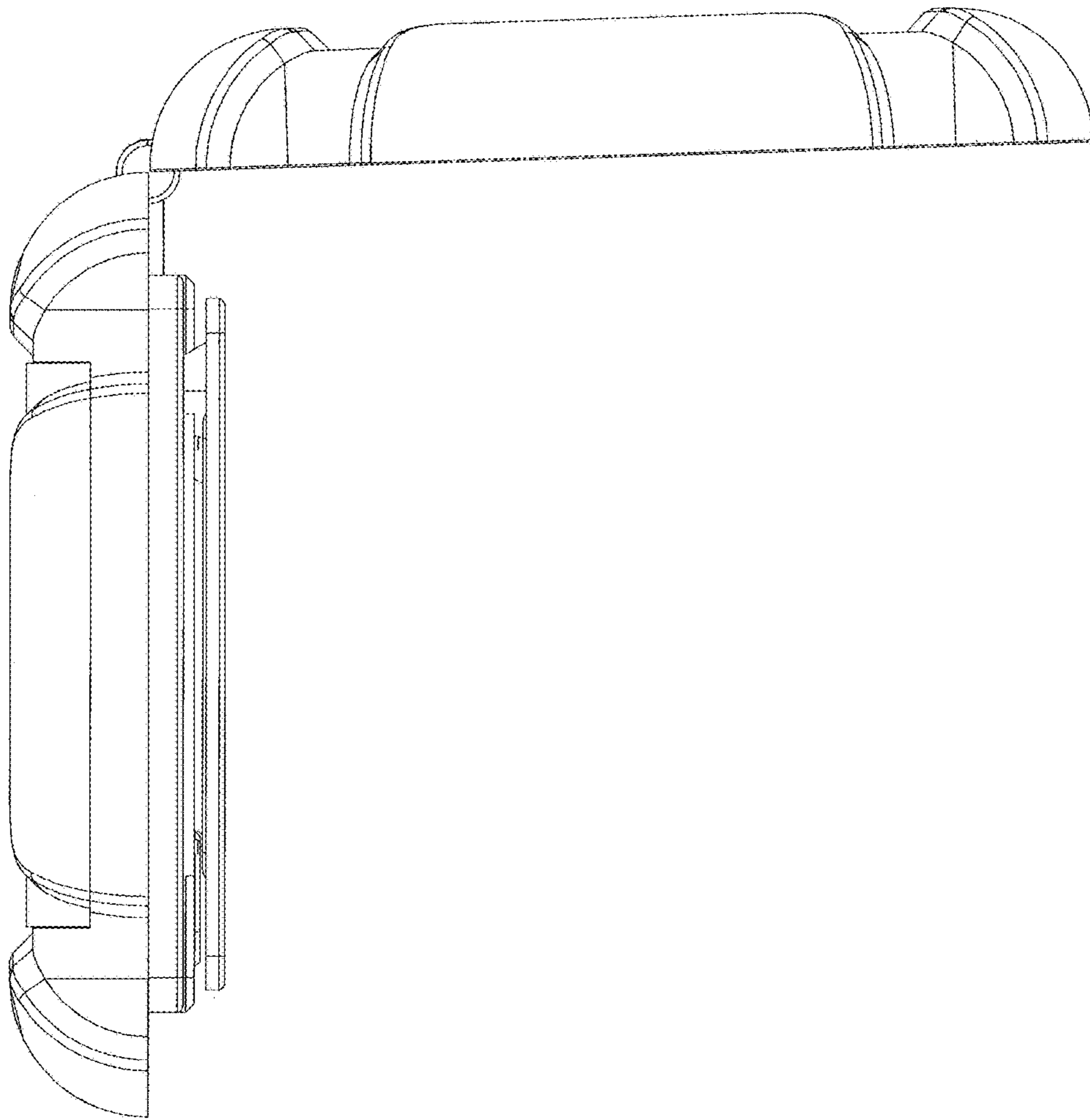


FIG 15

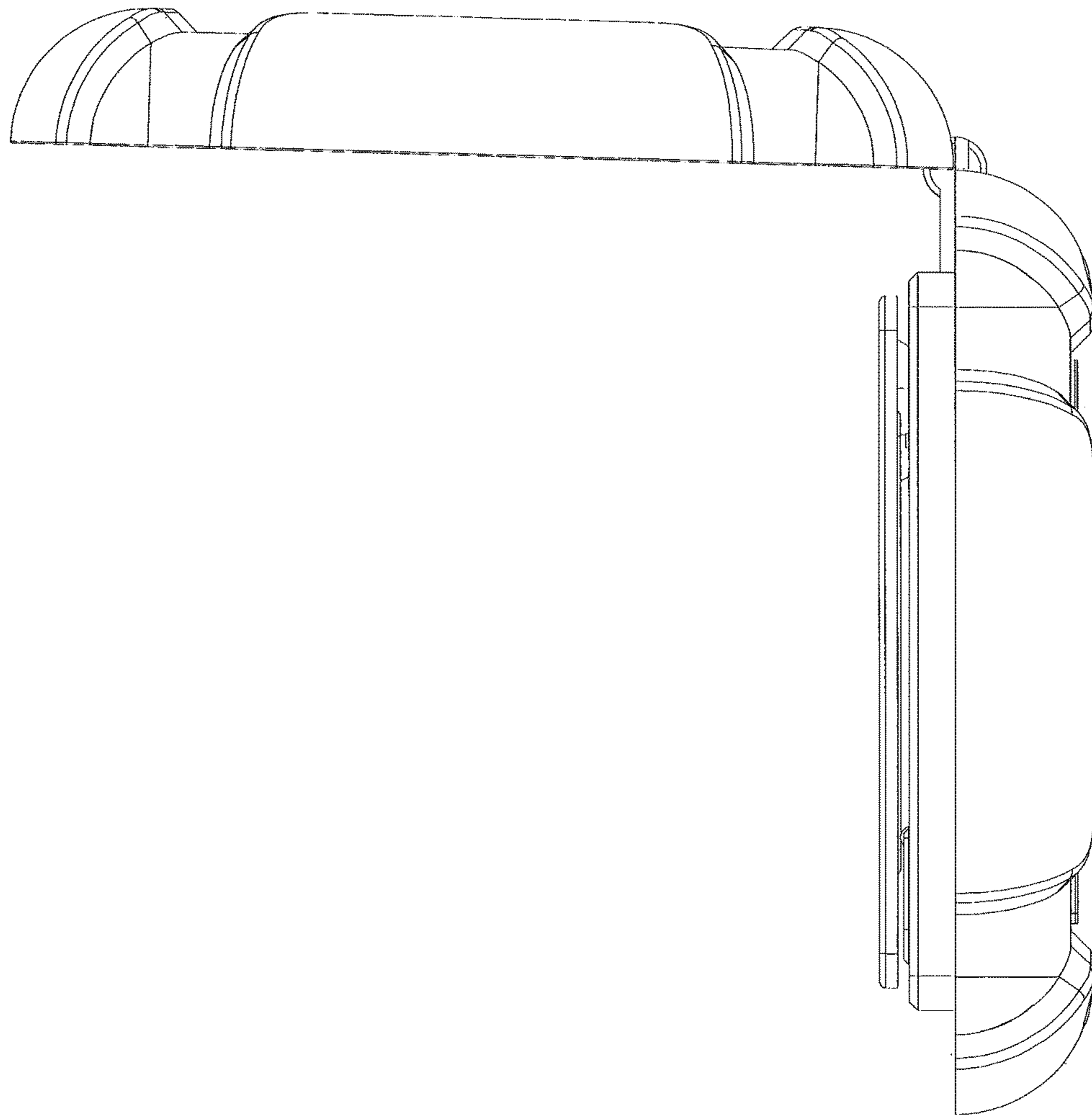


FIG 16