



US00D778746S

(12) **United States Design Patent**
Renganathan

(10) **Patent No.:** **US D778,746 S**

(45) **Date of Patent:** **** Feb. 14, 2017**

(54) **SPORTS SENSOR**

(71) Applicant: **PCI Limited**, Singapore (SG)

(72) Inventor: **Thayalan Renganathan**, Singapore (SG)

(73) Assignee: **PCI LIMITED**, Singapore (SG)

(**) Term: **15 Years**

(21) Appl. No.: **29/534,277**

(22) Filed: **Jul. 28, 2015**

(30) **Foreign Application Priority Data**

Jan. 28, 2015 (SG) 30201500388P

(51) **LOC (10) Cl.** **10-04**

(52) **U.S. Cl.**
USPC **D10/70**

(58) **Field of Classification Search**
USPC D10/46, 70
CPC . A63B 69/0015; A63B 69/0017; A63B 69/38;
A63B 69/385; A63B 69/0073; A63B
69/0097; A63B 69/0079; A63B 69/0084;
A63B 69/0086; A63B 69/0088; A63B
69/0091; A63B 2069/0077; A63B 61/006
See application file for complete search history.

(56) **References Cited**

U.S. PATENT DOCUMENTS

D584,176 S * 1/2009 Maruyama D10/70
7,935,010 B2 * 5/2011 Cerpok A63B 63/004
273/393

D733,596 S * 7/2015 Goodner D10/70
9,114,300 B2 * 8/2015 Stechschulte A63B 69/3623
D738,235 S * 9/2015 Riegl D10/66
9,393,457 B2 * 7/2016 Wilkes A63B 69/32
9,457,228 B2 * 10/2016 Sinha A63B 24/0003

* cited by examiner

Primary Examiner — Antoine D Davis

(74) *Attorney, Agent, or Firm* — Renner Kenner Greive
Bobak Taylor & Weber

(57) **CLAIM**

The ornamental design for a sports sensor, as shown and described.

DESCRIPTION

FIG. 1 is a perspective view of a sports sensor showing the new design;

FIG. 2 is a front elevational plan view thereof;

FIG. 3 is a back elevational view thereof;

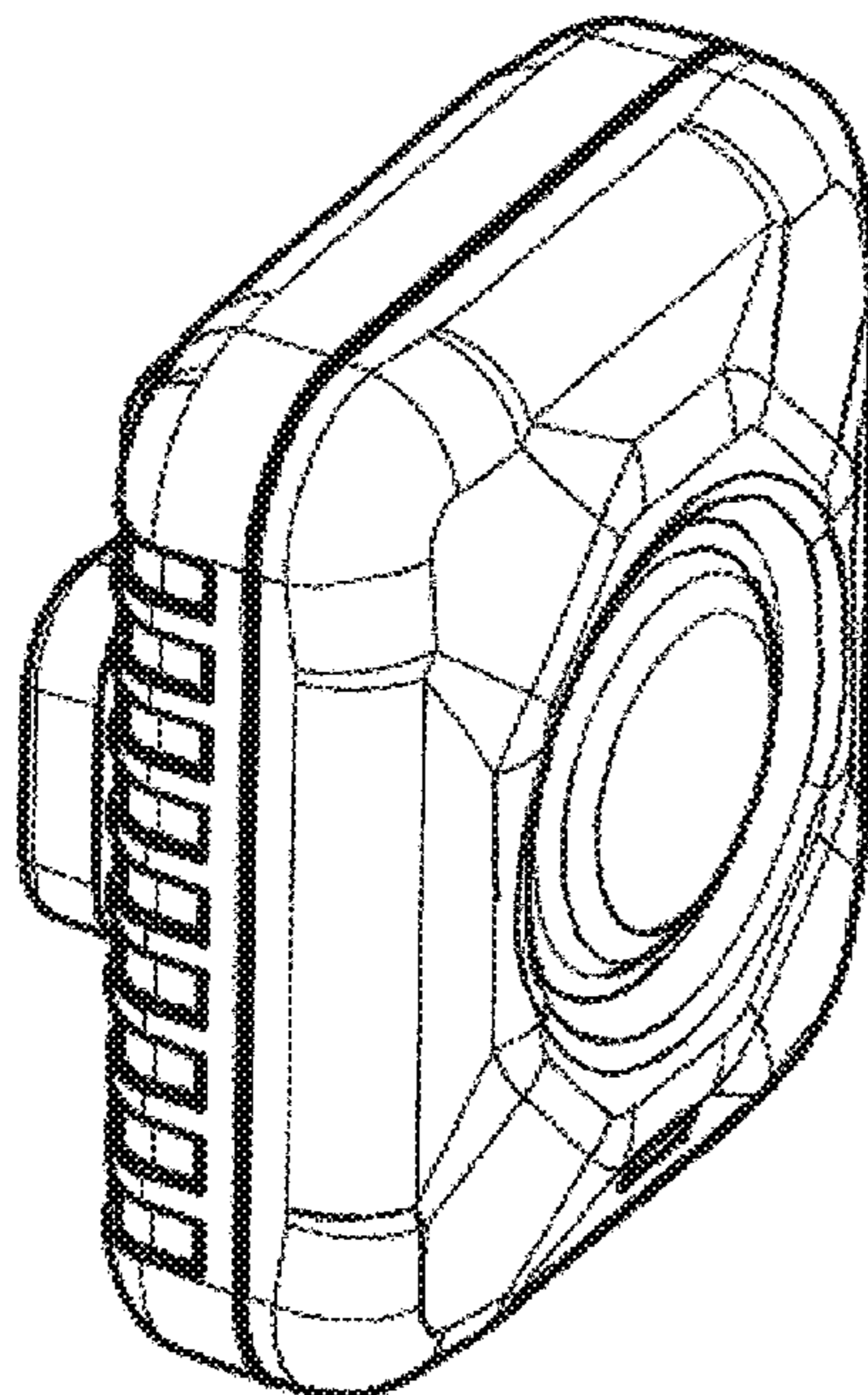
FIG. 4 is a left side elevational view thereof;

FIG. 5 is a right side elevational view thereof;

FIG. 6 is a top plan view thereof; and,

FIG. 7 is a bottom plan view thereof.

1 Claim, 7 Drawing Sheets



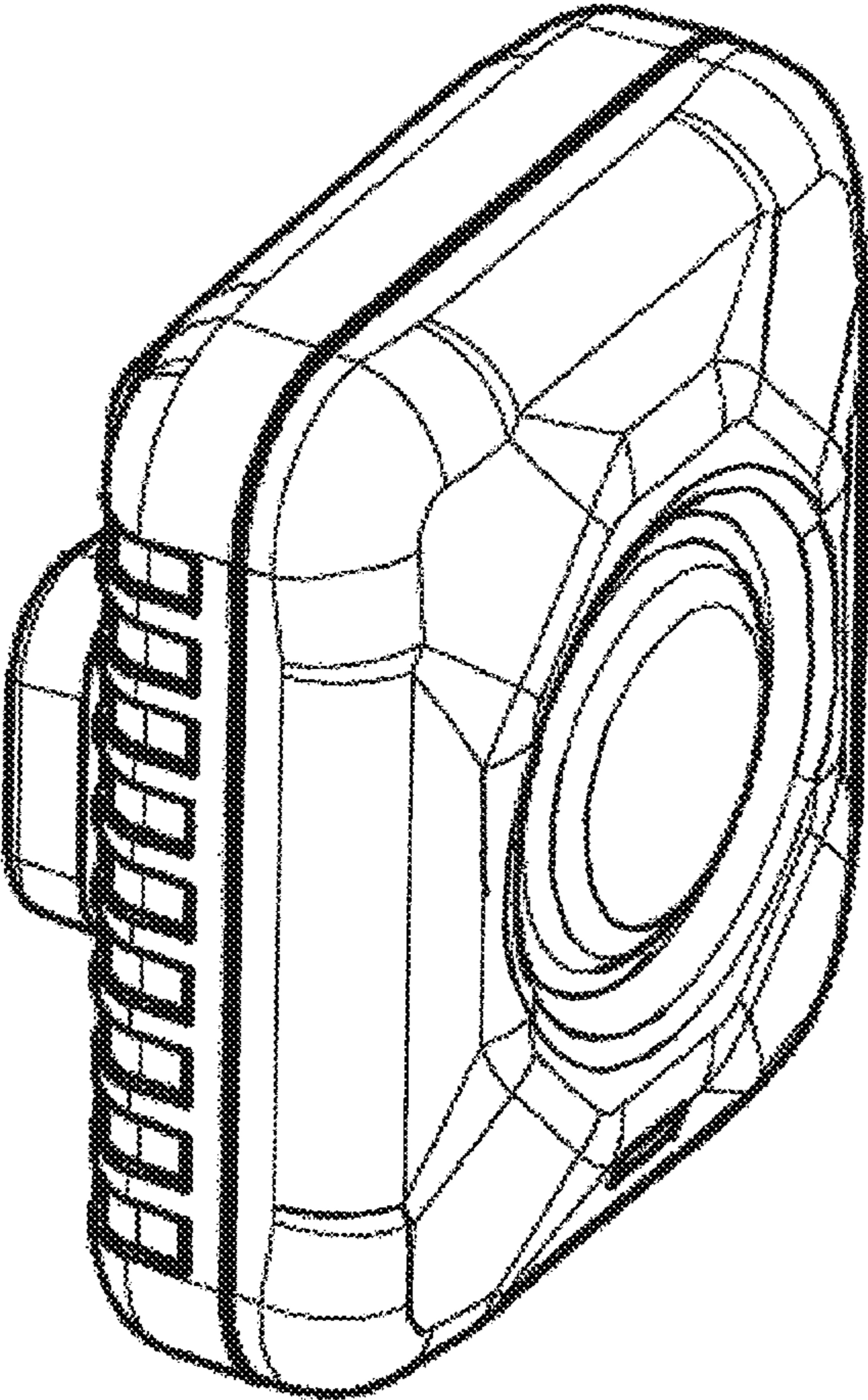


FIG. 1

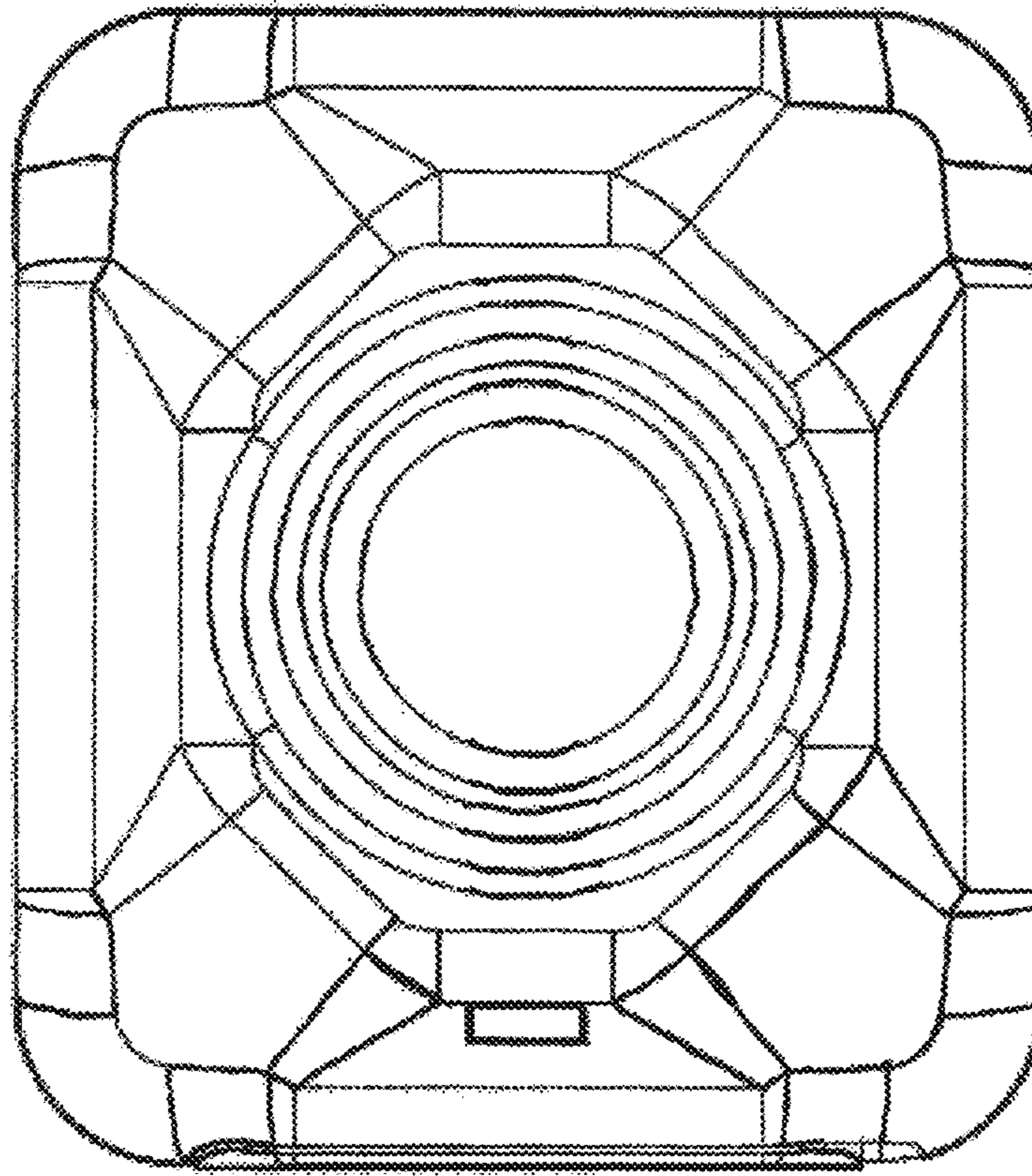


FIG. 2

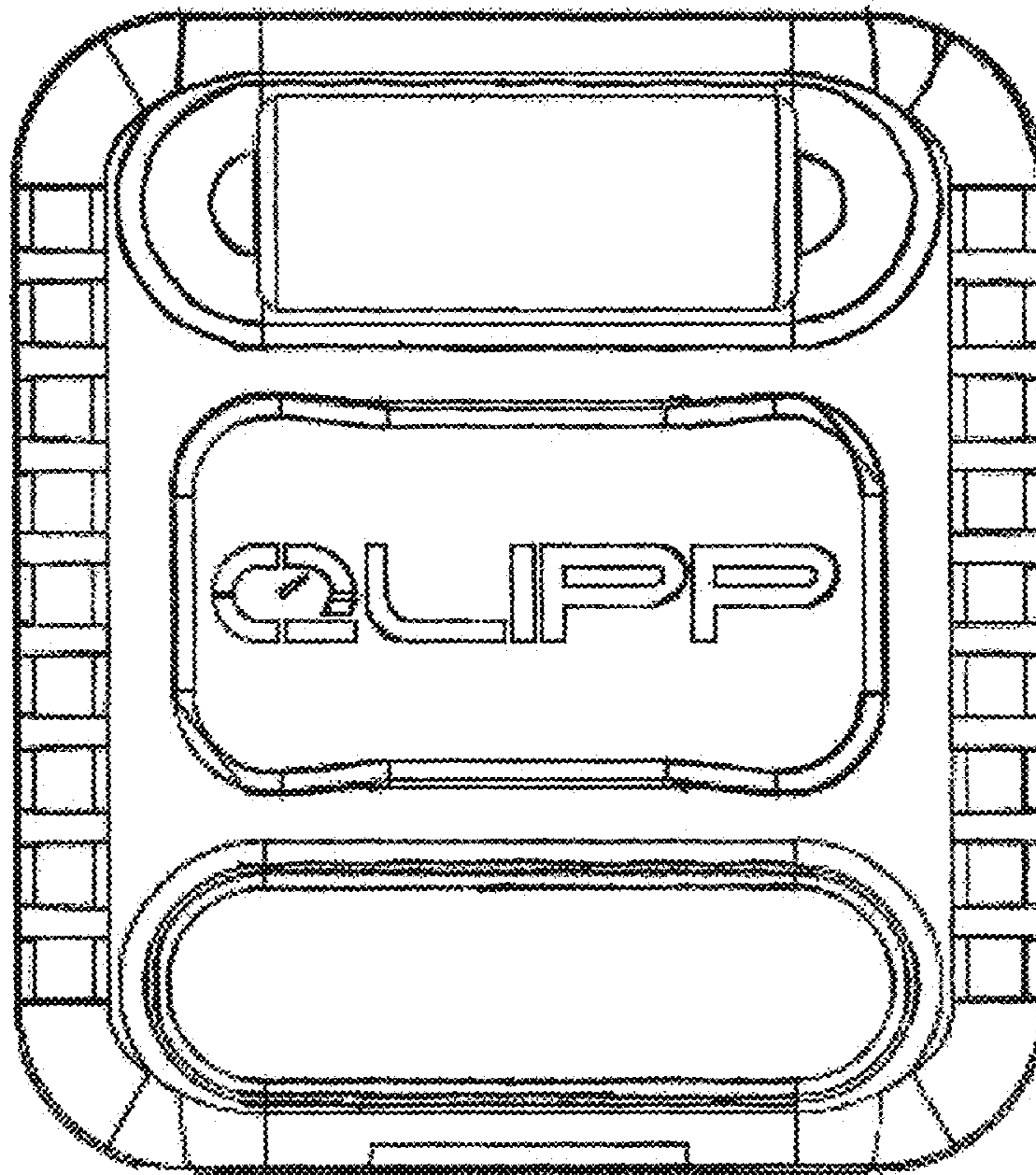


FIG. 3

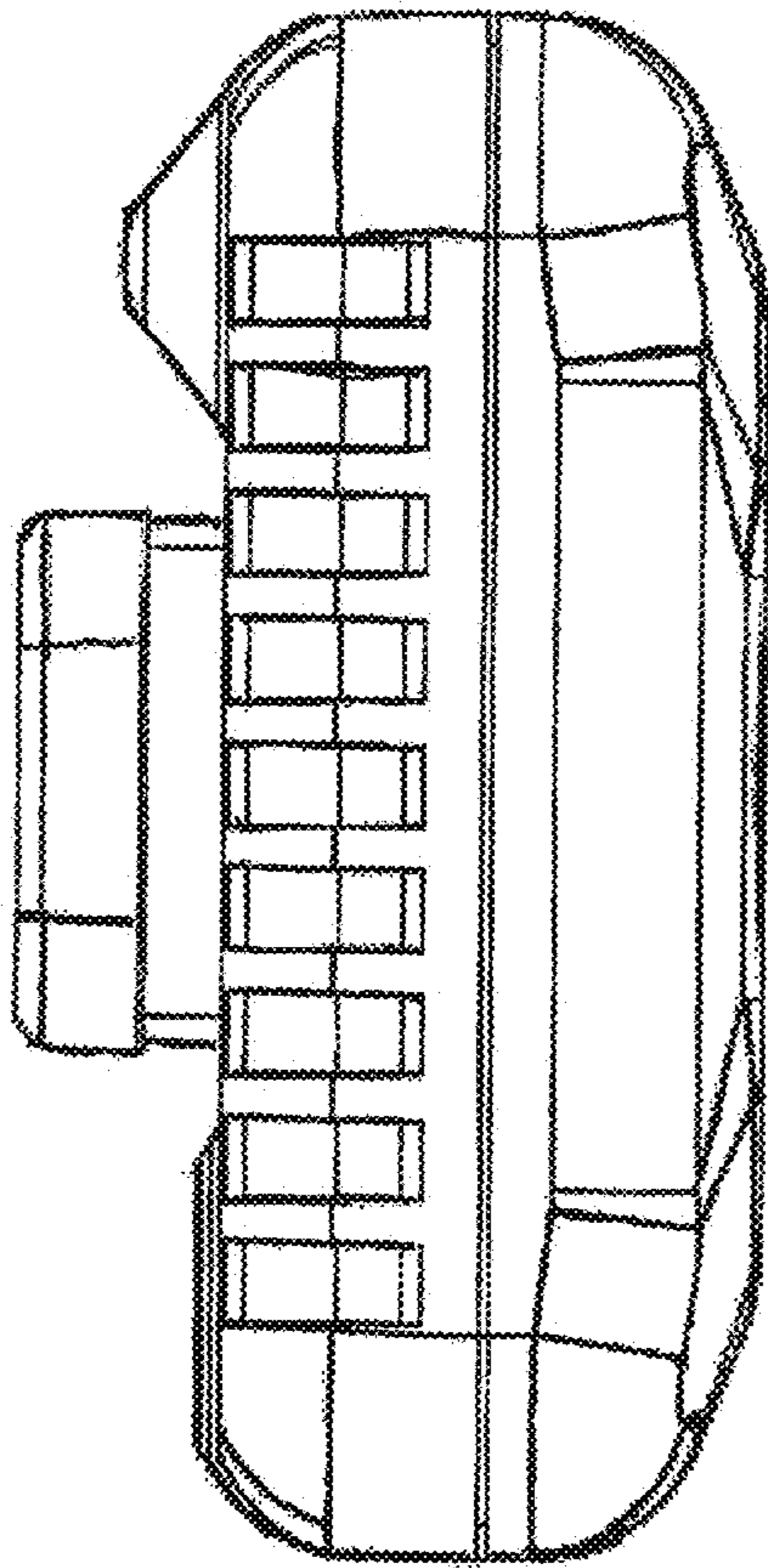


FIG. 4

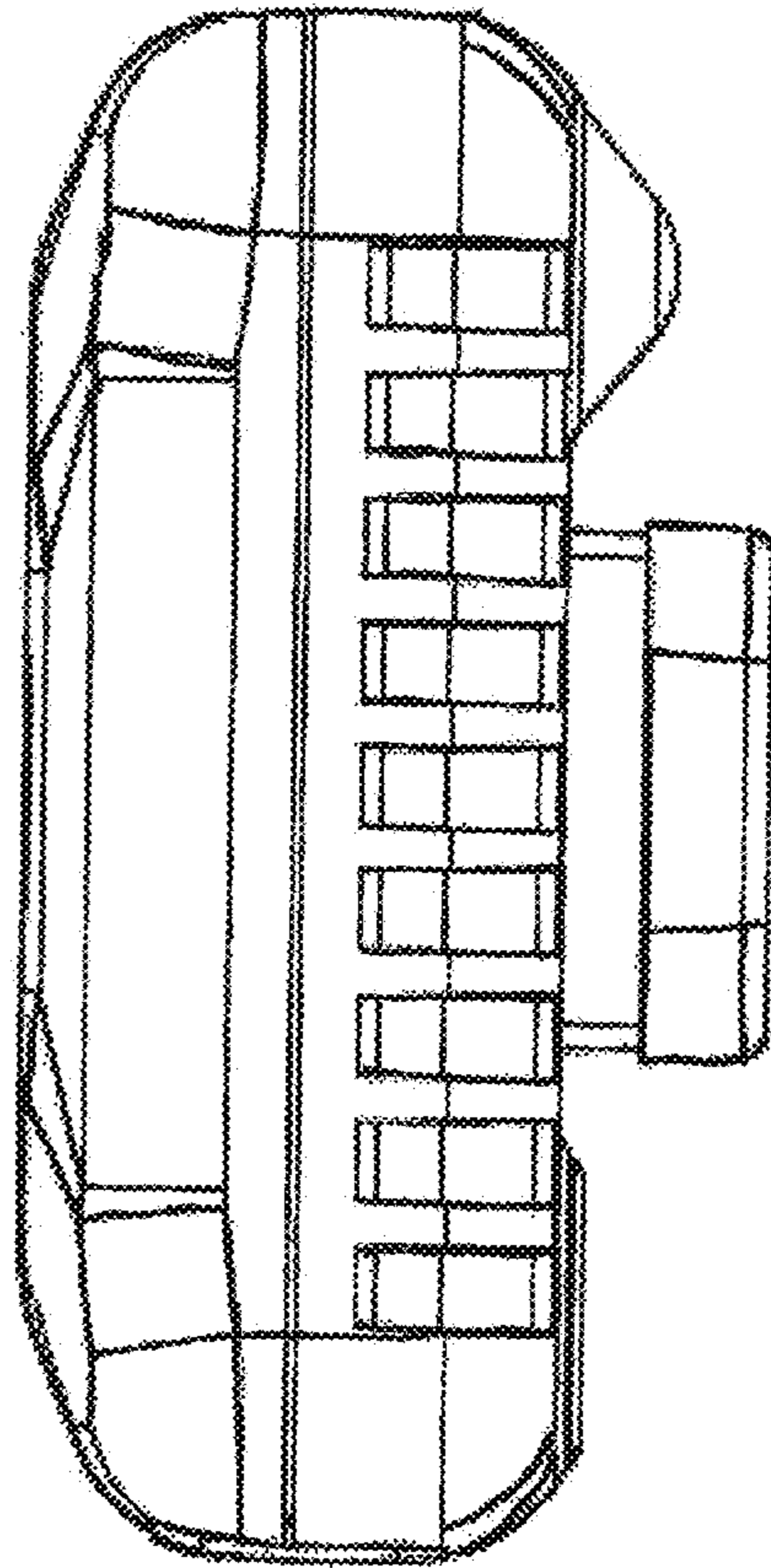


FIG. 5

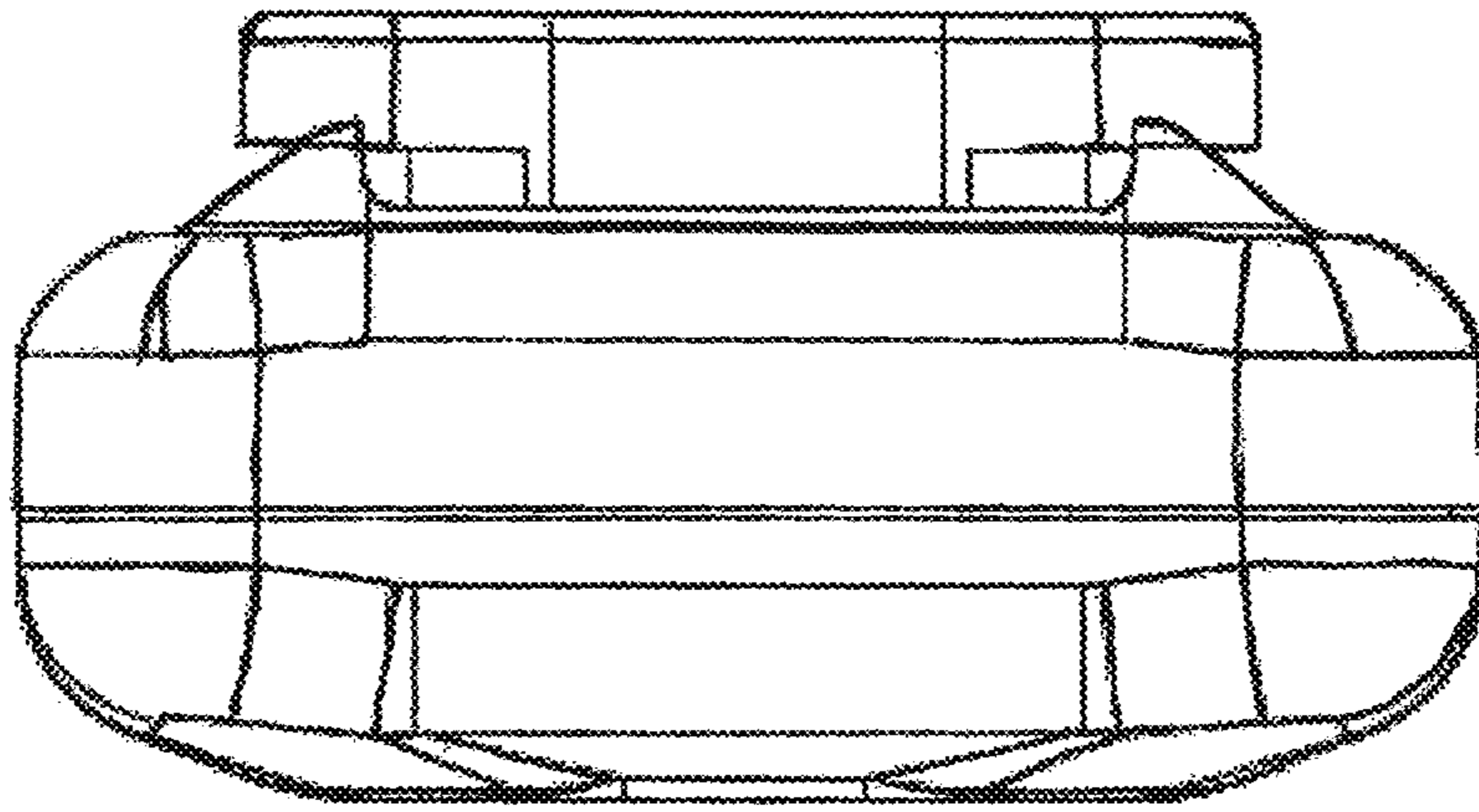


FIG. 6

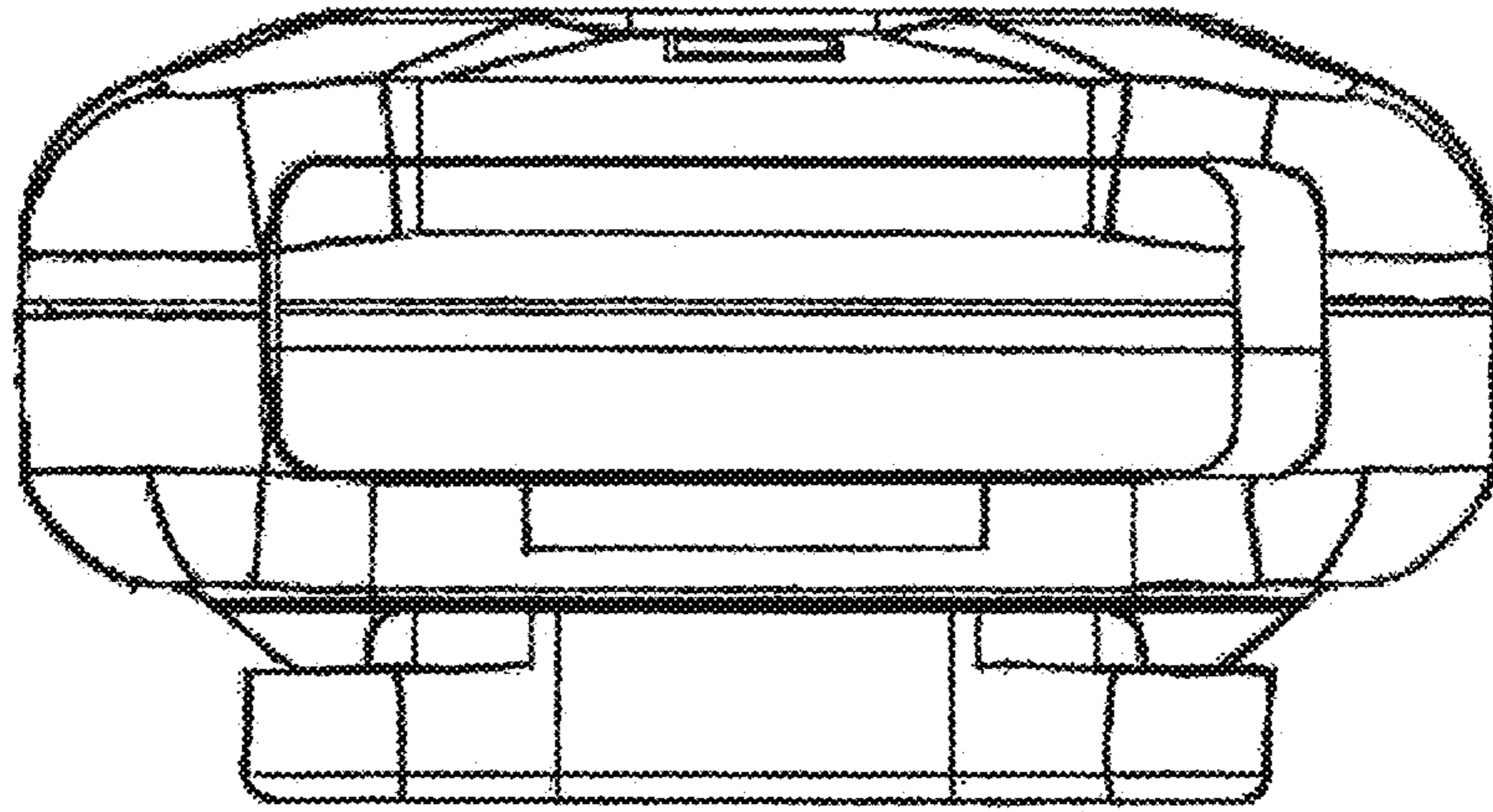


FIG. 7