

US00D778739S

(12) **United States Design Patent**  
**Hughes**

(10) **Patent No.:** **US D778,739 S**

(45) **Date of Patent:** **\*\* Feb. 14, 2017**

(54) **SECURITY BASE FOR A PARKING TICKET VALIDATOR**

(71) Applicant: **Arnold T. Hughes**, Indian Land, SC (US)

(72) Inventor: **Arnold T. Hughes**, Indian Land, SC (US)

(\*\*) Term: **15 Years**

(21) Appl. No.: **29/546,120**

(22) Filed: **Nov. 19, 2015**

(51) **LOC (10) Cl.** ..... **10-03**

(52) **U.S. Cl.**  
USPC ..... **D10/42**

(58) **Field of Classification Search**  
USPC ..... D10/1, 4, 40-42, 122, 128; D13/162.1; D23/245, 246; D8/343, 349  
CPC ..... A01G 25/00; A01G 25/16; A01G 25/162; A01G 25/165; G06F 7/08; G06F 7/00  
See application file for complete search history.

(56) **References Cited**

U.S. PATENT DOCUMENTS

- 3,669,480 A \* 6/1972 Fugate ..... E04G 21/3223 248/300
- 4,659,044 A \* 4/1987 Armstrong ..... F16M 13/02 114/343
- 4,709,891 A \* 12/1987 Barnett ..... G09F 7/18 248/214
- 4,801,121 A \* 1/1989 Zunker ..... E05B 67/383 248/218.4

- 5,472,164 A \* 12/1995 Contee, Jr. .... B60R 9/00 126/25 R
- D373,902 S \* 9/1996 Wang ..... D3/318
- 5,642,819 A \* 7/1997 Ronia ..... A47G 33/04 211/86.01
- 6,060,661 A \* 5/2000 O'Neill ..... A47F 5/0068 174/58
- D733,520 S \* 7/2015 Barna ..... D8/330

\* cited by examiner

*Primary Examiner* — Sandra Snapp

(74) *Attorney, Agent, or Firm* — Ralph H. Dougherty

(57) **CLAIM**

The ornamental design for a security base for a parking ticket validator or the like, as shown and described.

**DESCRIPTION**

FIG. 1 is a perspective view of a security base for a parking validator, the security base is comprised of a base plate and a removable security bar;

FIG. 2 is a right end view of the security base of FIG. 1;

FIG. 3 is a rear view thereof;

FIG. 4 is a top view thereof;

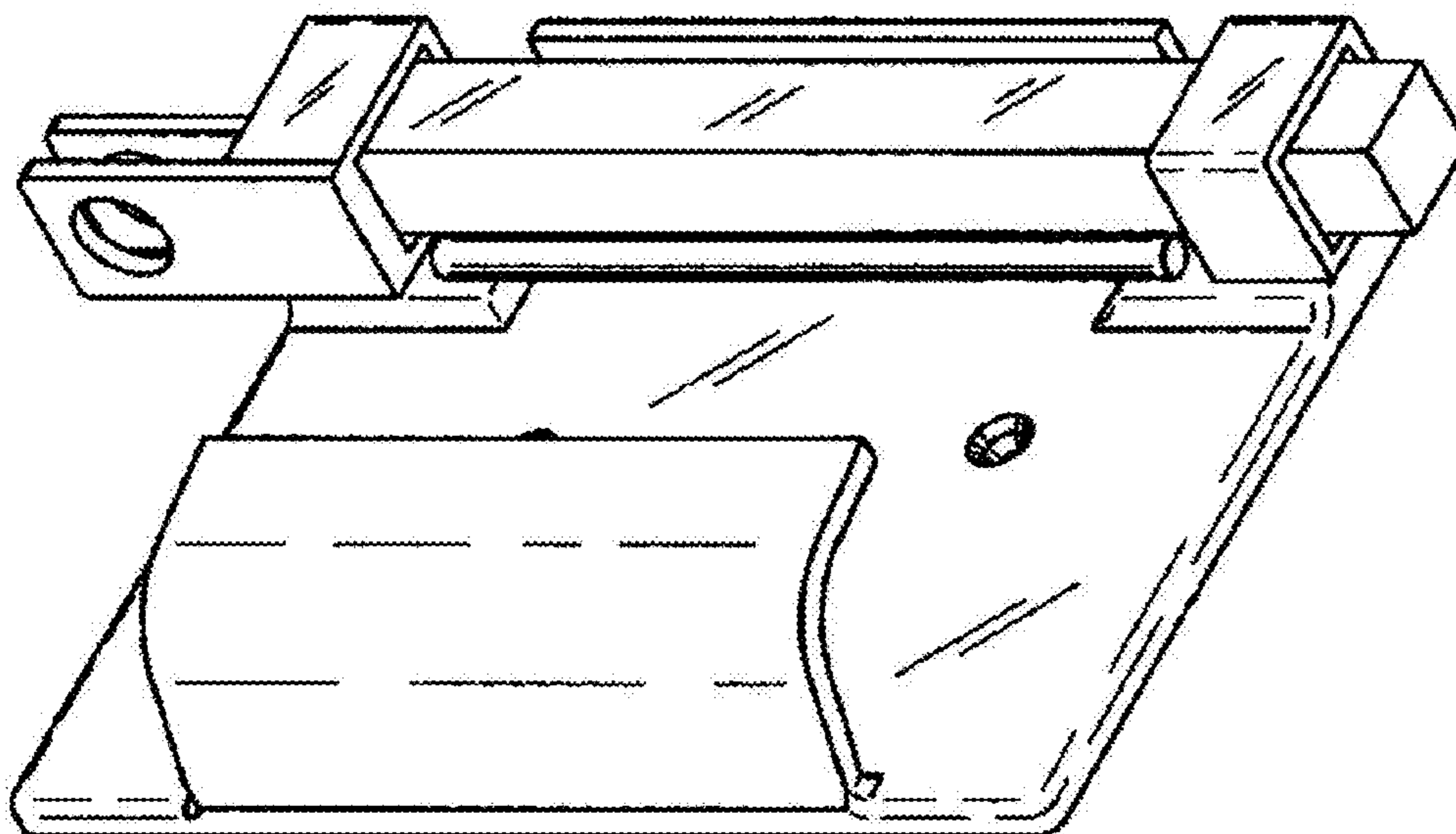
FIG. 5 is a front view thereof;

FIG. 6 is a bottom view thereof;

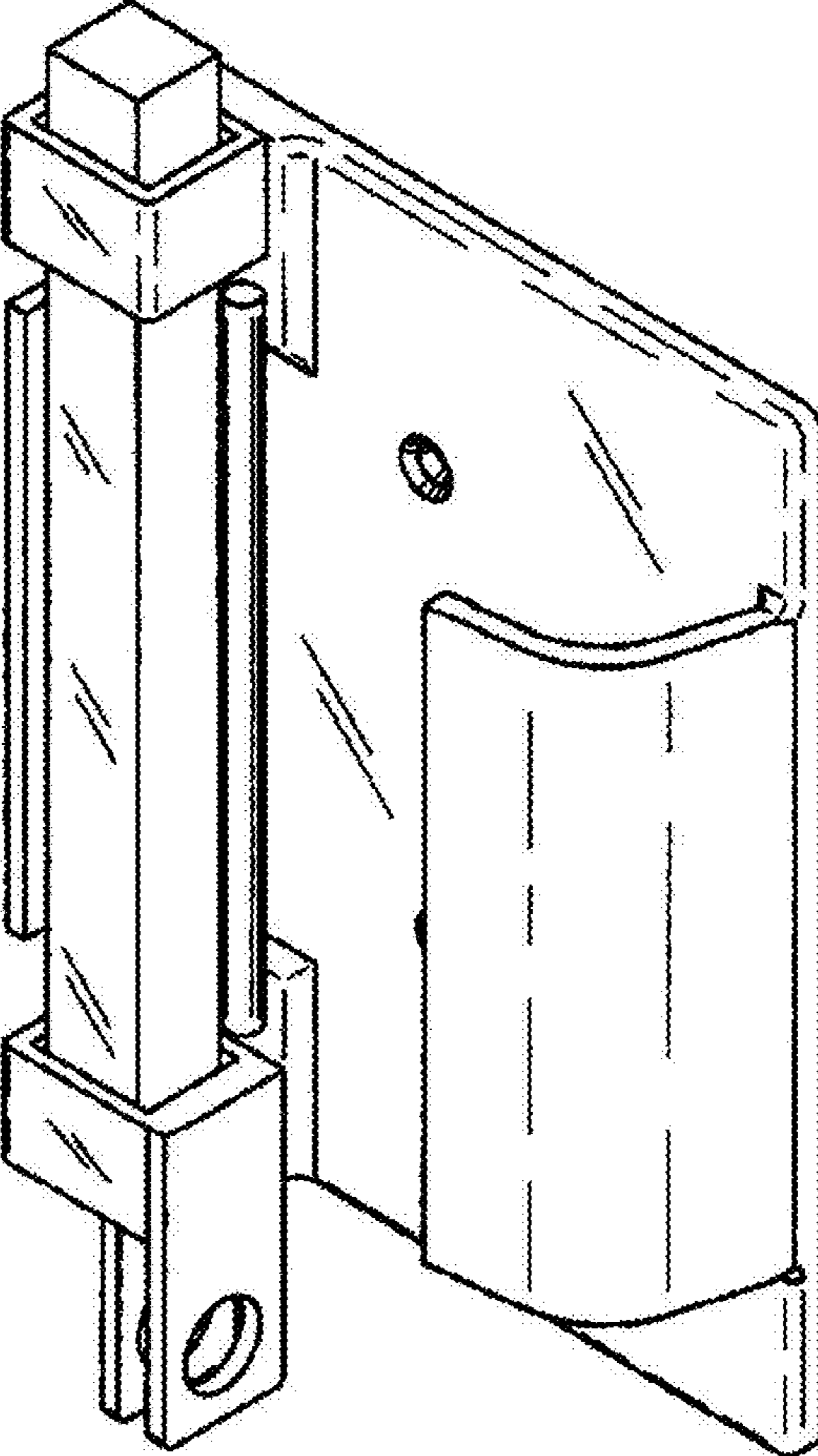
FIG. 7 is a left end view thereof; and,

FIG. 8 is an isometric view of a removable securing bar, detached from the security base for clarity.

**1 Claim, 3 Drawing Sheets**



*Fig. 1*



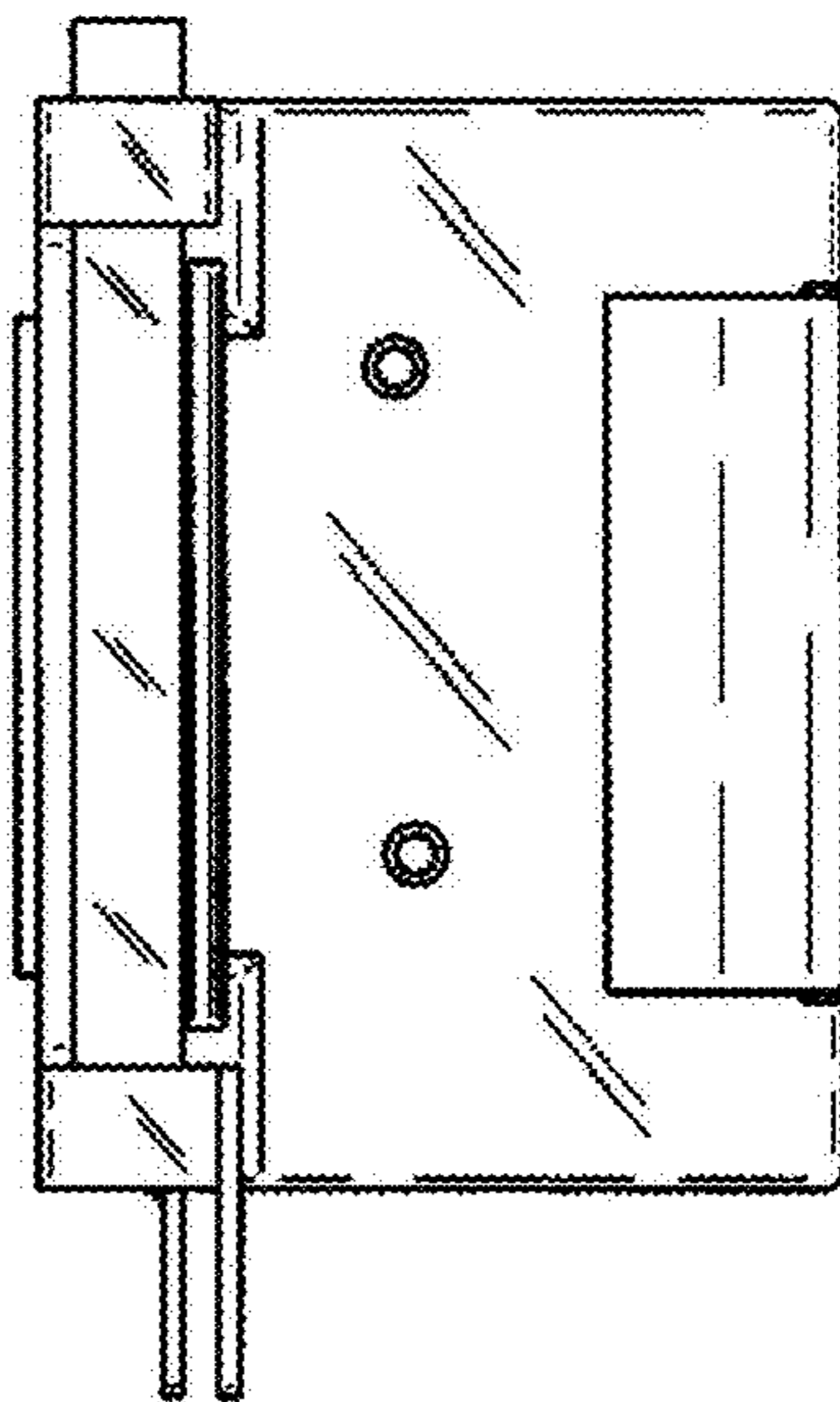
*Fig. 2*



*Fig. 3*



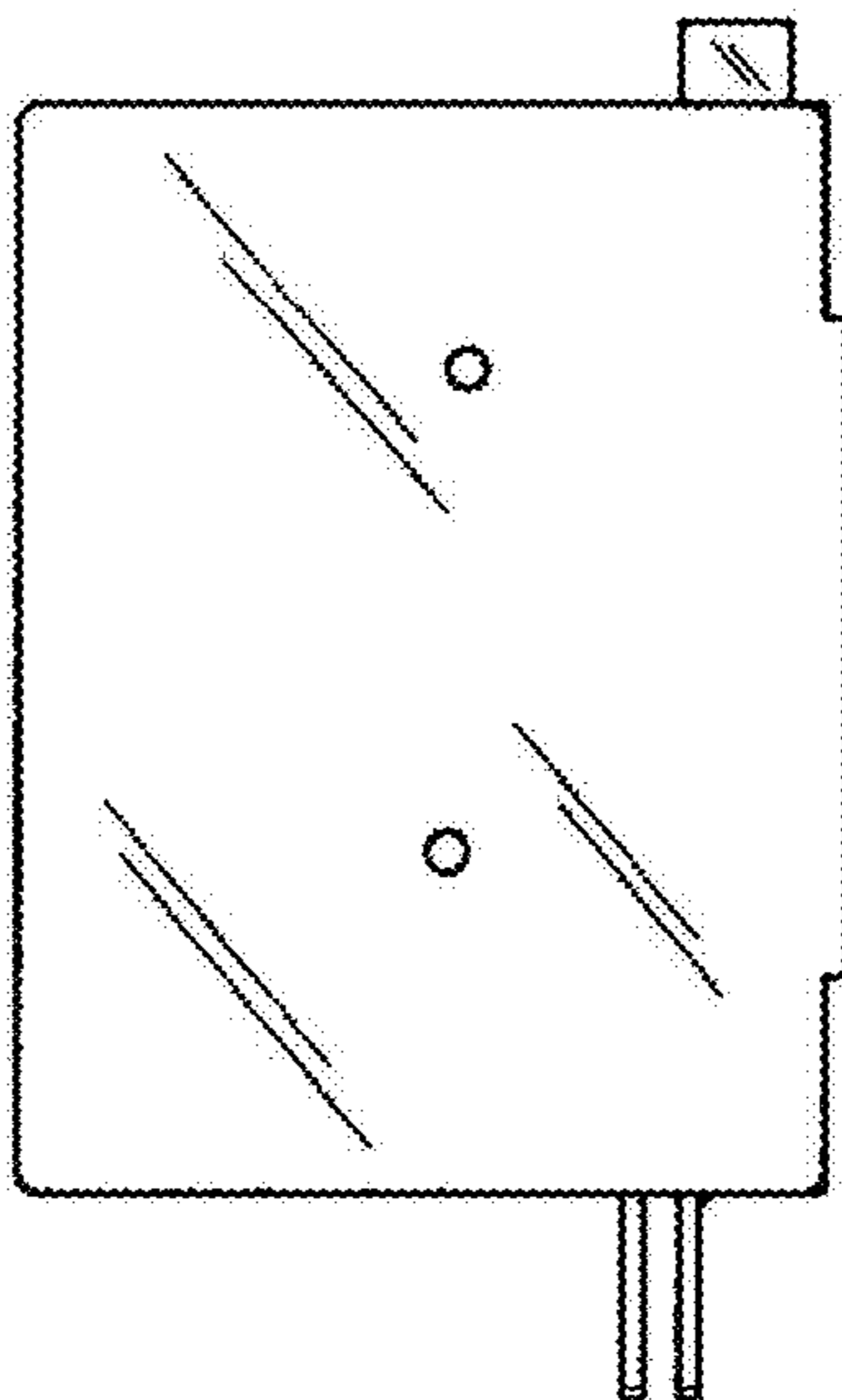
*Fig. 4*



*Fig. 5*



*Fig. 6*



*Fig. 7*



*Fig. 8*

