



US00D778738S

(12) **United States Design Patent** (10) **Patent No.:** **US D778,738 S**  
**Ericksen et al.** (45) **Date of Patent:** **\*\* \*Feb. 14, 2017**

(54) **TIMER**

OTHER PUBLICATIONS

(71) Applicant: **Orbit Irrigation Products, Inc.**, North Salt Lake, UT (US)

“Orbit 56233D 3-Outlet Digital.” First Comment: Jun. 3, 2013. Amazon. <http://www.amazon.com/Orbit-56233D-3-Outlet-Digital-Watering/dp/B004PVK4GK>.\*

(72) Inventors: **Kent C. Ericksen**, Centerville, UT (US); **Karl L. Connolly**, Bountiful, UT (US); **Jeffrey C. Thurgood**, Severance, CO (US); **Andrew Mark Urry**, Herriman, UT (US); **Amy Marie Yamasaki**, Fruit Heights, UT (US); **Hugo Rodriguez**, South Salt Lake, UT (US)

(Continued)

*Primary Examiner* — Manpreet Matharu

*Assistant Examiner* — Suzanne Tisdell

(74) *Attorney, Agent, or Firm* — Austin Rapp & Hardman

(57) **CLAIM**

The ornamental design for a timer, as shown and described.

(73) Assignee: **Orbit Irrigation Products, Inc.**, North Salt Lake, UT (US)

**DESCRIPTION**

(\*) Notice: This patent is subject to a terminal disclaimer.

FIG. 1 is an elevated front perspective view of a timer, according to our new design;

FIG. 2 is an elevated rear perspective view of the timer shown in FIG. 1;

(\*\*) Term: **15 Years**

FIG. 3 is a front view of the timer shown in FIG. 1;

(21) Appl. No.: **29/527,488**

FIG. 4 is a rear view of the timer shown in FIG. 1;

(22) Filed: **May 19, 2015**

FIG. 5 is a top view of the timer shown in FIG. 1;

(51) **LOC (10) Cl.** ..... **10-03**

FIG. 6 is a bottom view of the timer shown in FIG. 1;

(52) **U.S. Cl.**

USPC ..... **D10/40**

FIG. 7 is a first side view of the timer shown in FIG. 1;

(58) **Field of Classification Search**

USPC ..... D10/2, 15, 20, 24, 40, 41, 46.1, 47, 50, D10/51, 60, 74, 126; D16/206, 214, 235, D10/238, 250; D23/245, 246

FIG. 8 is a second side view of the timer shown in FIG. 1;

FIG. 9 is a front view of the timer shown in FIG. 1 in a first alternative position;

(Continued)

FIG. 10 is a front view of the timer shown in FIG. 1 in a second alternative position;

FIG. 11 is a front view of the timer shown in FIG. 1 in a third alternative position;

(56) **References Cited**

U.S. PATENT DOCUMENTS

D174,973 S \* 6/1955 Williams ..... D16/238  
D185,885 S \* 8/1959 Kawa et al. .... D16/238

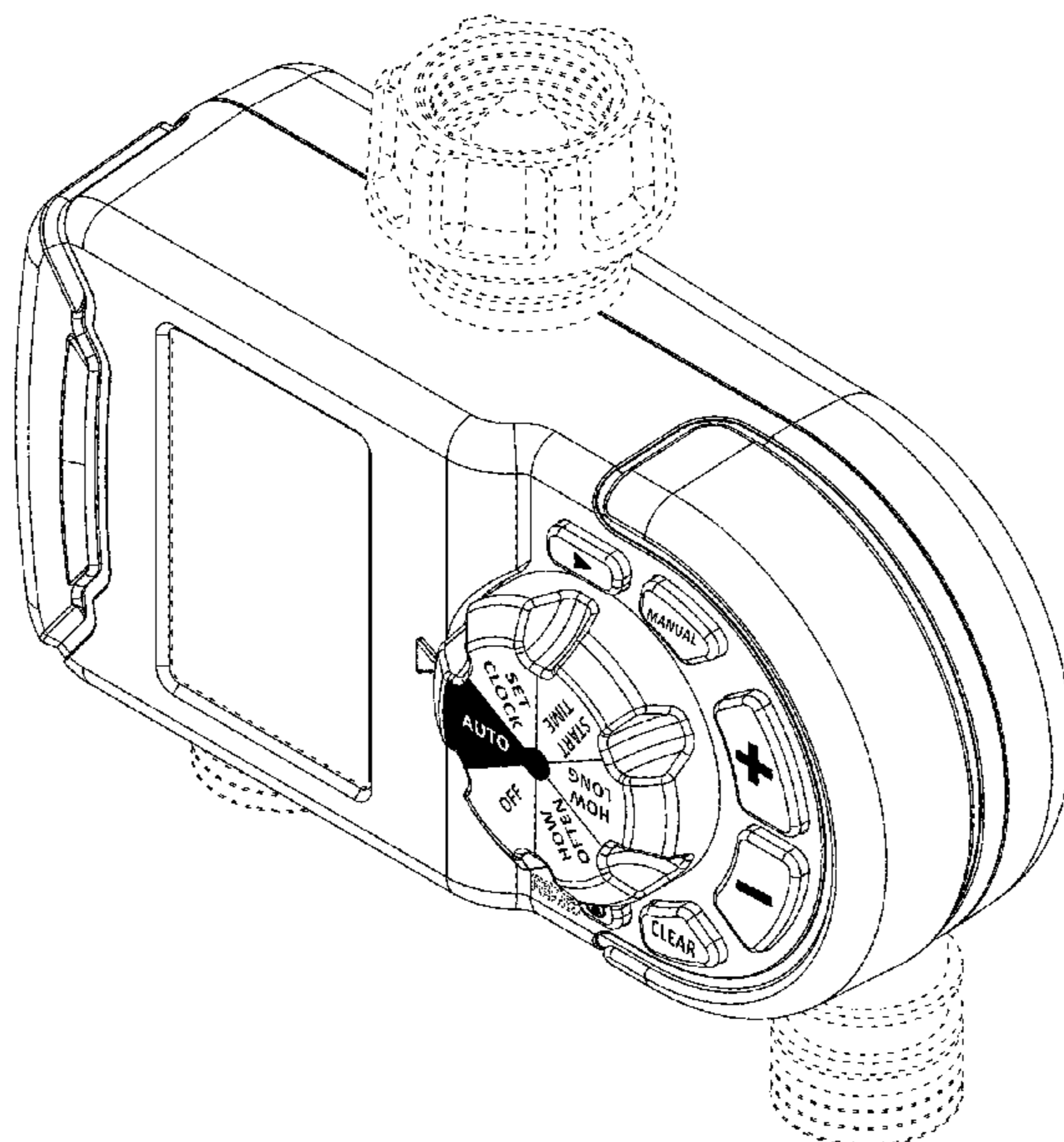
FIG. 12 is a front view of the timer shown in FIG. 1 in a fourth alternative position; and,

FIG. 13 is a front view of the timer shown in FIG. 1 in a fifth alternative position.

The portions of the figures shown in broken lines are unclaimed. Any empty region surrounded by broken lines is also unclaimed, inclusive of the broken line itself.

(Continued)

**1 Claim, 13 Drawing Sheets**



(58) **Field of Classification Search**  
 CPC ..... B05B 12/20; G01F 11/30; G05D 11/00  
 See application file for complete search history.

(56) **References Cited**

U.S. PATENT DOCUMENTS

|              |    |   |         |                 |       |                           |
|--------------|----|---|---------|-----------------|-------|---------------------------|
| D523,888     | S  | * | 6/2006  | Funakoshi       | ..... | D16/202                   |
| D559,708     | S  | * | 1/2008  | Michael         | ..... | D10/40                    |
| D567,681     | S  | * | 4/2008  | Michael         | ..... | D10/40                    |
| D604,183     | S  | * | 11/2009 | Zore            | ..... | D10/40                    |
| D658,519     | S  |   | 5/2012  | Connolly et al. |       |                           |
| D659,029     | S  |   | 5/2012  | Connolly et al. |       |                           |
| D682,715     | S  | * | 5/2013  | Wang            | ..... | D10/122                   |
| D691,243     | S  | * | 10/2013 | Meyer           | ..... | D23/245                   |
| D702,566     | S  | * | 4/2014  | Chandran        | ..... | D10/10                    |
| D720,431     | S  | * | 12/2014 | Michael         | ..... | D10/40                    |
| D722,895     | S  | * | 2/2015  | Chandran        | ..... | D10/40                    |
| D734,180     | S  | * | 7/2015  | Benichou        | ..... | D10/50                    |
| 2002/0066878 | A1 | * | 6/2002  | Wang            | ..... | A01G 25/165<br>251/249    |
| 2006/0011243 | A1 | * | 1/2006  | Jacobs          | ..... | F16K 31/48<br>137/624.11  |
| 2010/0163126 | A1 | * | 7/2010  | Leer            | ..... | A01G 25/165<br>137/624.11 |
| 2015/0061546 | A1 | * | 3/2015  | Stack           | ..... | G04G 15/006<br>315/360    |

OTHER PUBLICATIONS

“2-Outlet Hose Faucet Timer.” First Review: Apr. 28, 2015. Home Depot. <http://www.homedepot.com/p/Orbit-2-Outlet-Hose-Faucet-Timer-56544/205585024>.\*

“Orbit Digital 2-Outlet HT Timer.” First Review: Feb. 18, 2011. Lowe’s. [http://www.lowes.com/pd\\_163729-74985-27133\\_0\\_?productId=3199677](http://www.lowes.com/pd_163729-74985-27133_0_?productId=3199677).\*

U.S. Appl. No. 29/527,488, filed May 19, 2015, Kent C. Erickson et al.

U.S. Appl. No. 29/527,490, filed May 19, 2015, Kent C. Erickson et al.

Orbit Irrigation Products, Inc., The product(s) shown in attachment 1 were sold or offered for sale by Orbit Irrigation Products, Inc., on or before November of 2008.

Robert Bosch Tool Corporation, The product(s) shown in attachment 2 were sold or offered for sale by Robert Bosch Tool Corporation under the brand name Nelson on or before Mar. 19, 2013.

Melnor, Inc., The product(s) shown in attachment 3 were sold or offered for sale by Melnor, Inc., on or before Mar. 19, 2013.

Melnor, Inc., AquaTimers, Web page retrieved on Jun. 17, 2013, apparently published on or before Feb. 10, 2012, [web.archive.org/web/20120210191541/http://www.melnor.com/products-aquatimers.php](http://web.archive.org/web/20120210191541/http://www.melnor.com/products-aquatimers.php).

Melnor, Inc., AquaTimers, Web page retrieved on Jun. 17, 2013, apparently published on or before Jun. 24, 2012, [web.archive.org/web/20120624233645/http://www.melnor.com/products-aquatimers.php](http://web.archive.org/web/20120624233645/http://www.melnor.com/products-aquatimers.php).

Robert Bosch Tool Corporation, Nelson, Web page retrieved on Jun. 17, 2013, apparently published on or before Mar. 27, 2012, [web.archive.org/web/20120327000229/http://www.Irnelson.com/products/water-conservation2/water-timers/](http://web.archive.org/web/20120327000229/http://www.Irnelson.com/products/water-conservation2/water-timers/).

Robert Bosch Tool Corporation, Nelson, Web page retrieved on Jun. 17, 2013, apparently published on or before Jul. 9, 2012, [web.archive.org/web/20120709203520/http://www.Irnelson.com/products/water-conservation2/water-timers/](http://web.archive.org/web/20120709203520/http://www.Irnelson.com/products/water-conservation2/water-timers/).

Rain Bird Corporation, the product(s) shown in attachment 8 was sold or offered for sale by Rain Bird Corporation at least by Mar. 19, 2012.

Orbit Irrigation Products, Inc., the product(s) shown in attachment 9 were sold or offered for sale by Orbit Irrigation Products, Inc., at least by Mar. 19, 2012.

Orbit Irrigation Products, Inc., the product shown in attachment 10 was sold or offered for sale by Orbit Irrigation Products, Inc., at least by Mar. 19, 2012.

Orbit Irrigation Products, Inc., 2014 Hose Faucet Timers, the items shown in Attachment 11 were disclosed and may have been offered for sale in a private meeting on Mar. 13, 2013.

Orbit Irrigation Products, Inc., the products shown in attachment 12 (identified as product Nos. 24600, 24713, 24723) were sold or offered for sale to the public on or before May 1, 2015.

Orbit Irrigation Products, Inc., Lowes Hose End 2014 Product Review, the items shown in Attachment 13 were disclosed and may have been offered for sale in a private meeting on Jun. 11, 2013.

Office Action, U.S. Appl. No. 29/527,487, Mailed on May 9, 2016.

Office Action Response, U.S. Appl. No. 29/527,487, Dated on Aug. 9, 2016.

Terminal Disclaimer, U.S. Appl. No. 29/527,487, Dated on Aug. 9, 2016.

Office Action, U.S. Appl. No. 29/527,490, Mailed on May 10, 2016.

Orbit Irrigation Products, Inc., Product No. 56619 1-Outlet Hose Faucet Timer (shown in attachment 5) First Comment: May 8, 2015, Retrieved from the Internet: <URL: <http://www.homedepot.com/p/Orbit-1-Outlet-Hose-Faucet-Timer-56619/205585027>>.

Pickles 2 Pushups, Sandals and Soaker Hoses, Blog site, Apparently published Jun. 26, 2014, Retrieved from the Internet: <URL: <http://kphornerrd.weebly.com/home/sandals-and-soaker-hoses>>.

Orbit Irrigation Products, Inc., Product No. 58911 (shown in attachment 7) Added: Oct. 29, 2015, Retrieved from the Internet: <URL: <http://www.sears.com/orbit-irrigation-products-inc-58911-yard-watering-system/p-SPM8492350211?prdNo=7&blockNo=7&blockType=G7>>.

Notice of Allowance and Fee(s) Due (including a Notice of Allowability for a Design Application section, and an Examiner’s Comment section), U.S. Appl. No. 29/527,487 Mailed on Sep. 13, 2016 (shown in Attachment 8).

Office Action Response, U.S. Appl. No. 29/527,490, Dated Sep. 12, 2016 (shown in attachment 9).

Notice of Allowance and Fee(s) Due (including a Notice of Allowability for a Design Application section), U.S. Appl. No. 29/527,490 Mailed on Oct. 5, 2016 (shown in Attachment 10).

Continued Prosecution Application, U.S. Appl. No. 29/527,490, Dated Nov. 10, 2016 (shown in Attachment 11).

Preliminary Amendment, U.S. Appl. No. 29/527,490, Dated Nov. 11, 2016 (shown in Attachment 12).

Amendment After Allowance, U.S. Appl. No. 29/527,487, Dated Dec. 8, 2016 (shown in Attachment 13).

\* cited by examiner

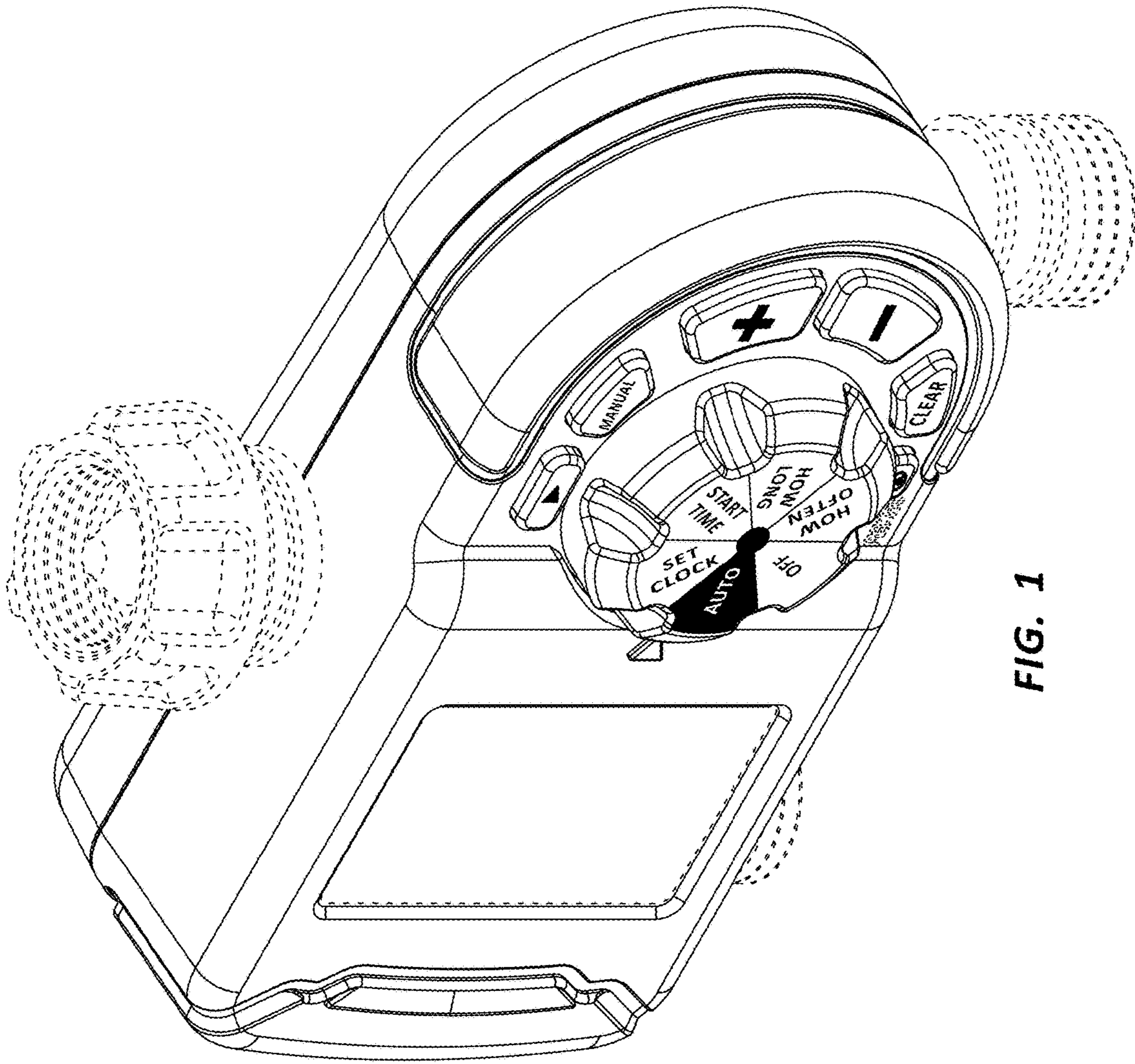


FIG. 1

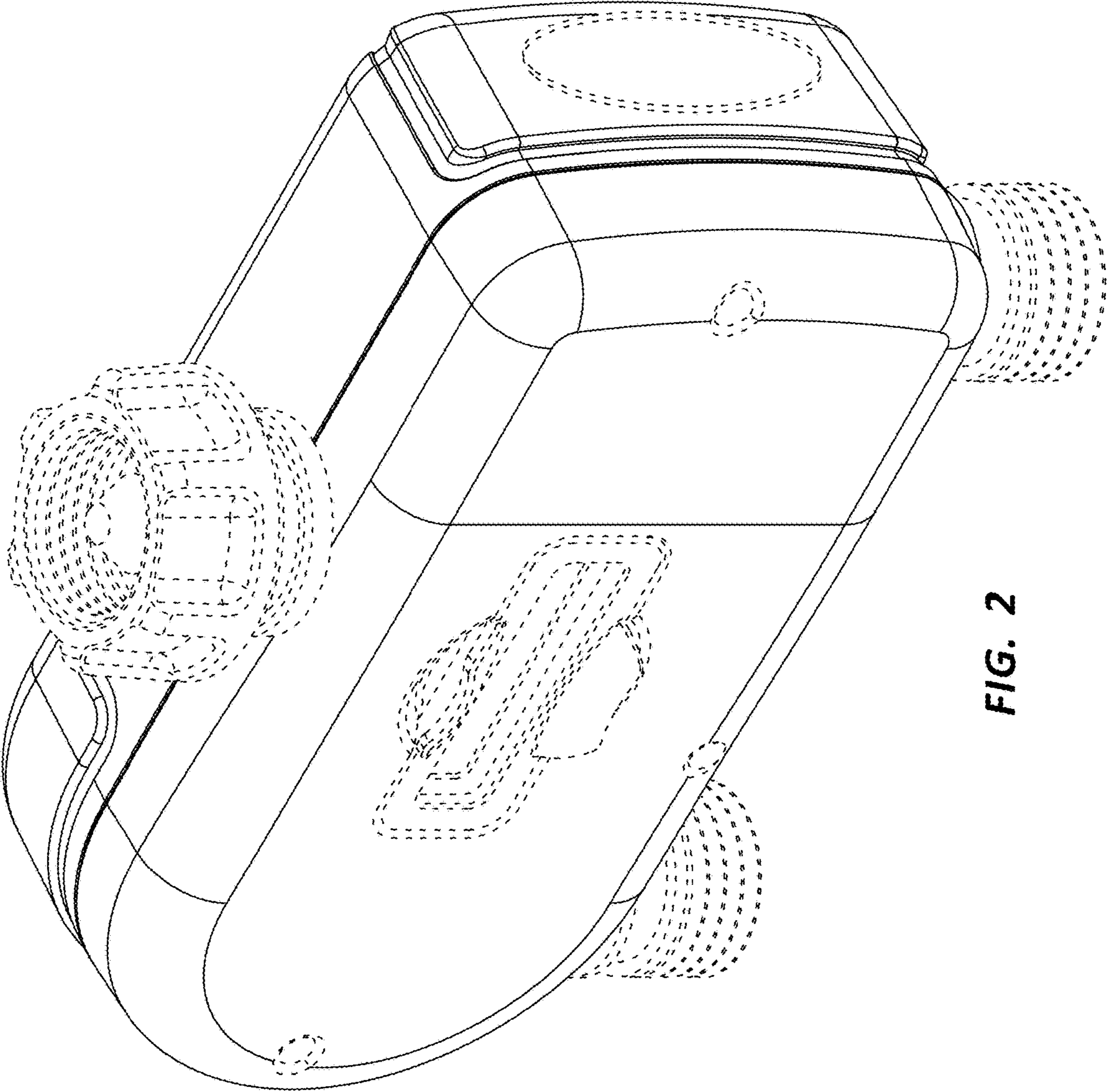


FIG. 2

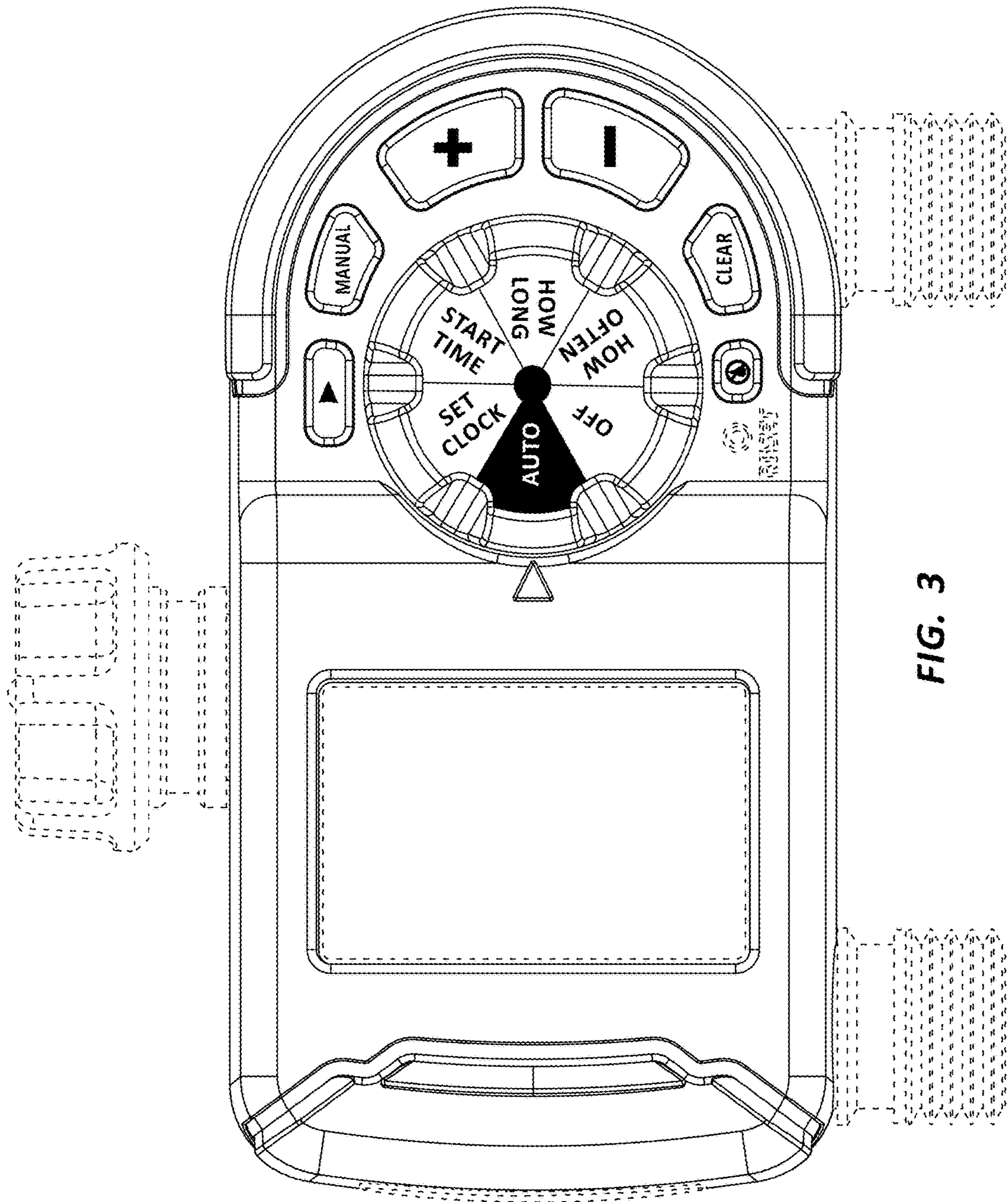
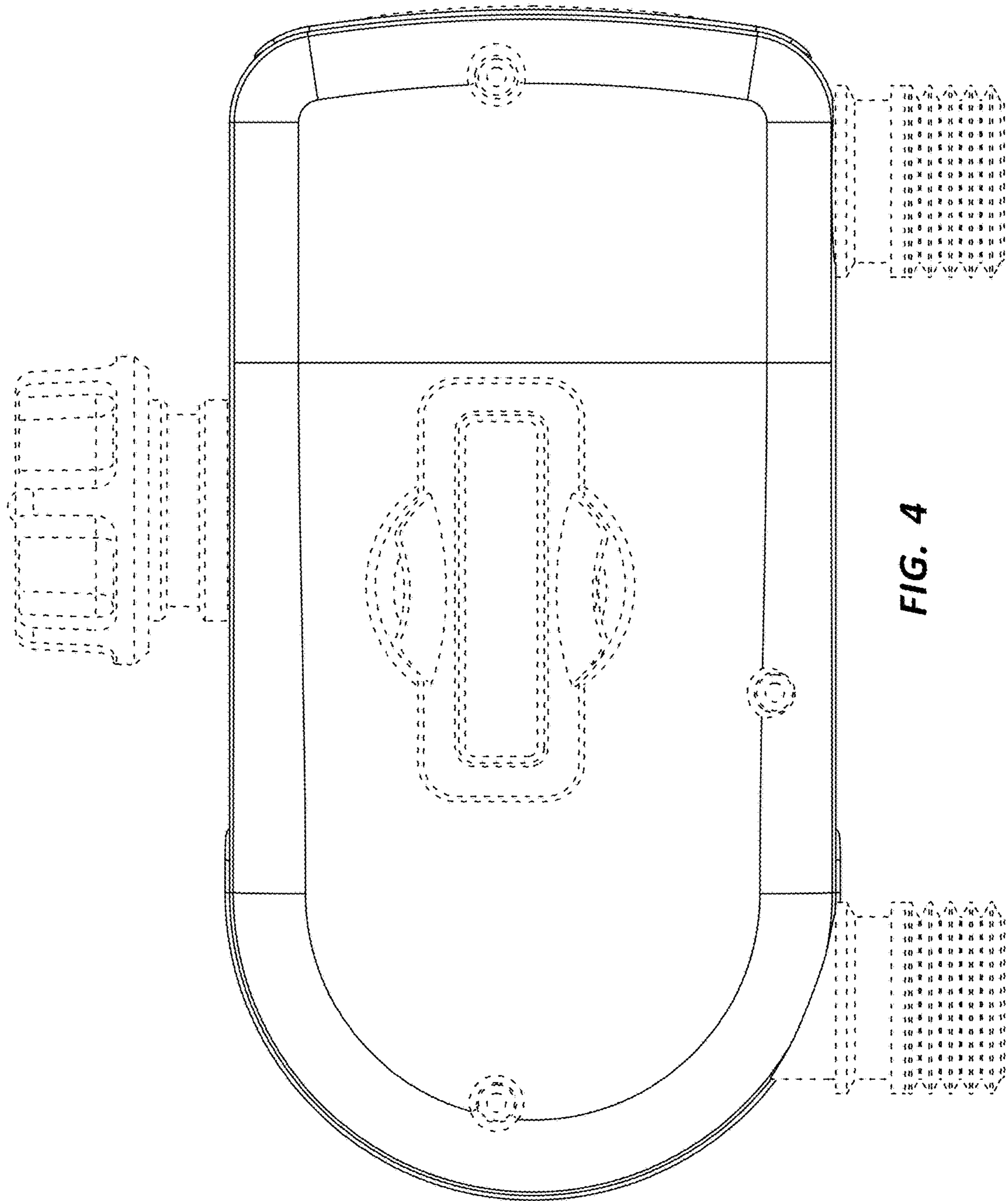


FIG. 3



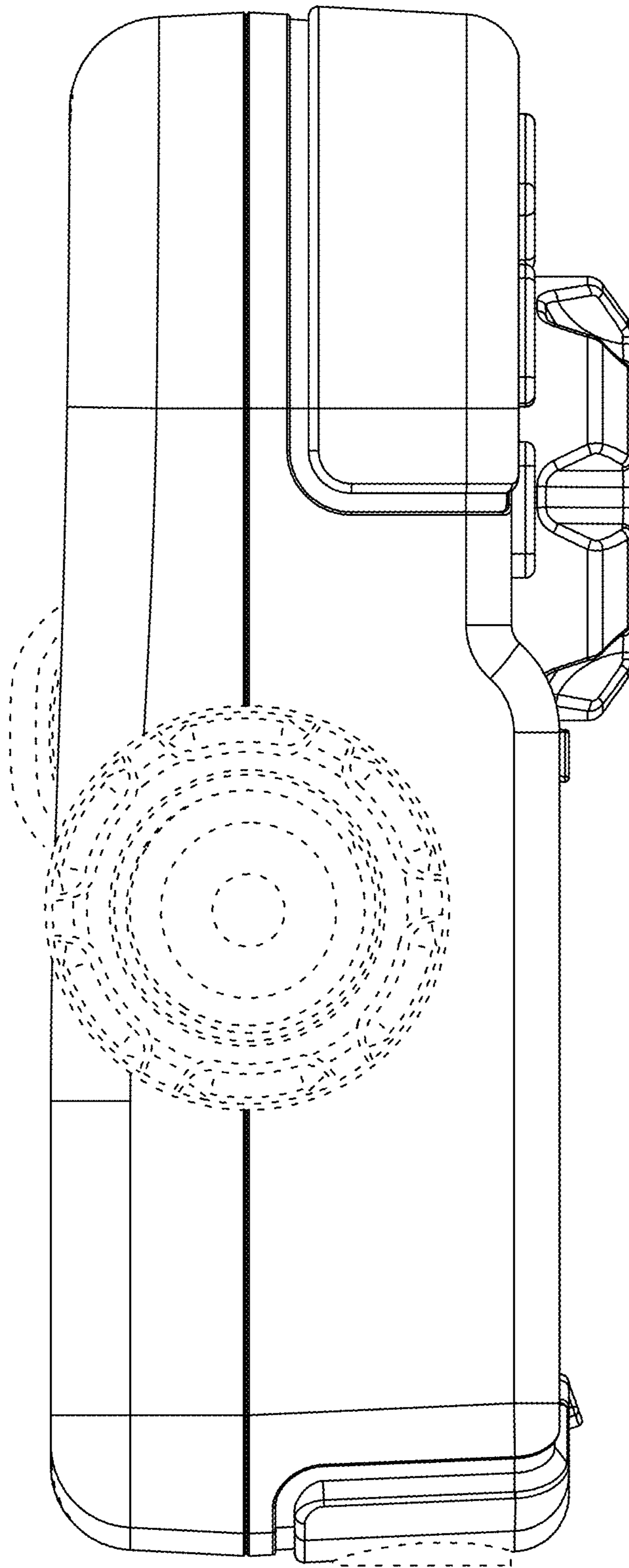


FIG. 5

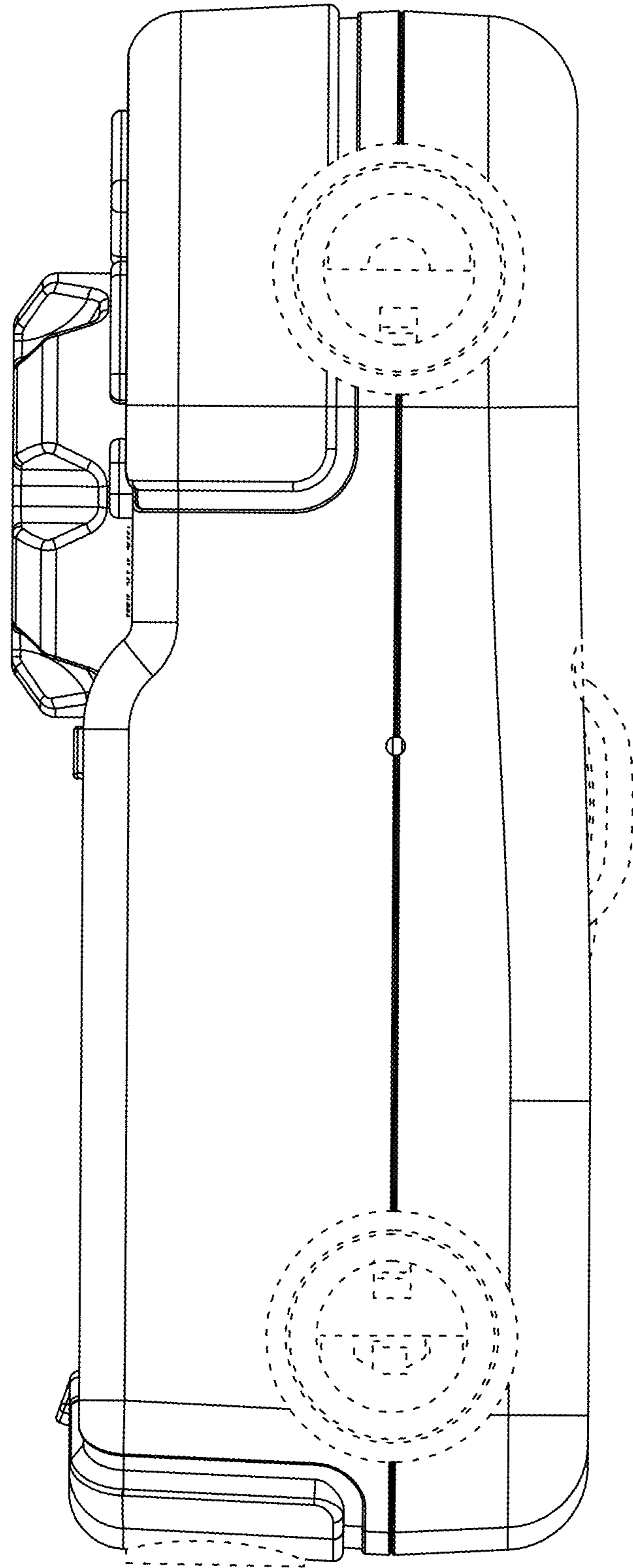


FIG. 6



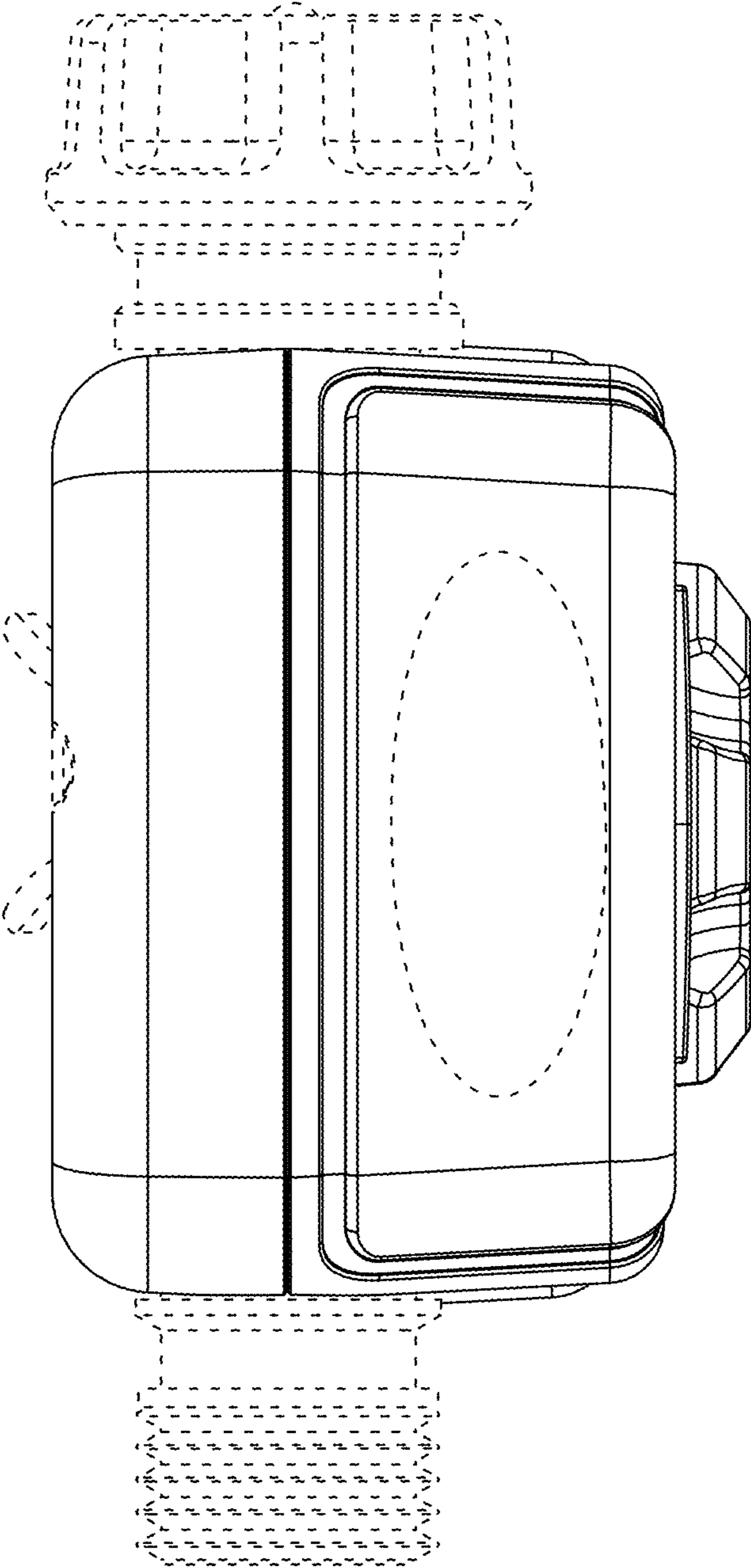


FIG. 7

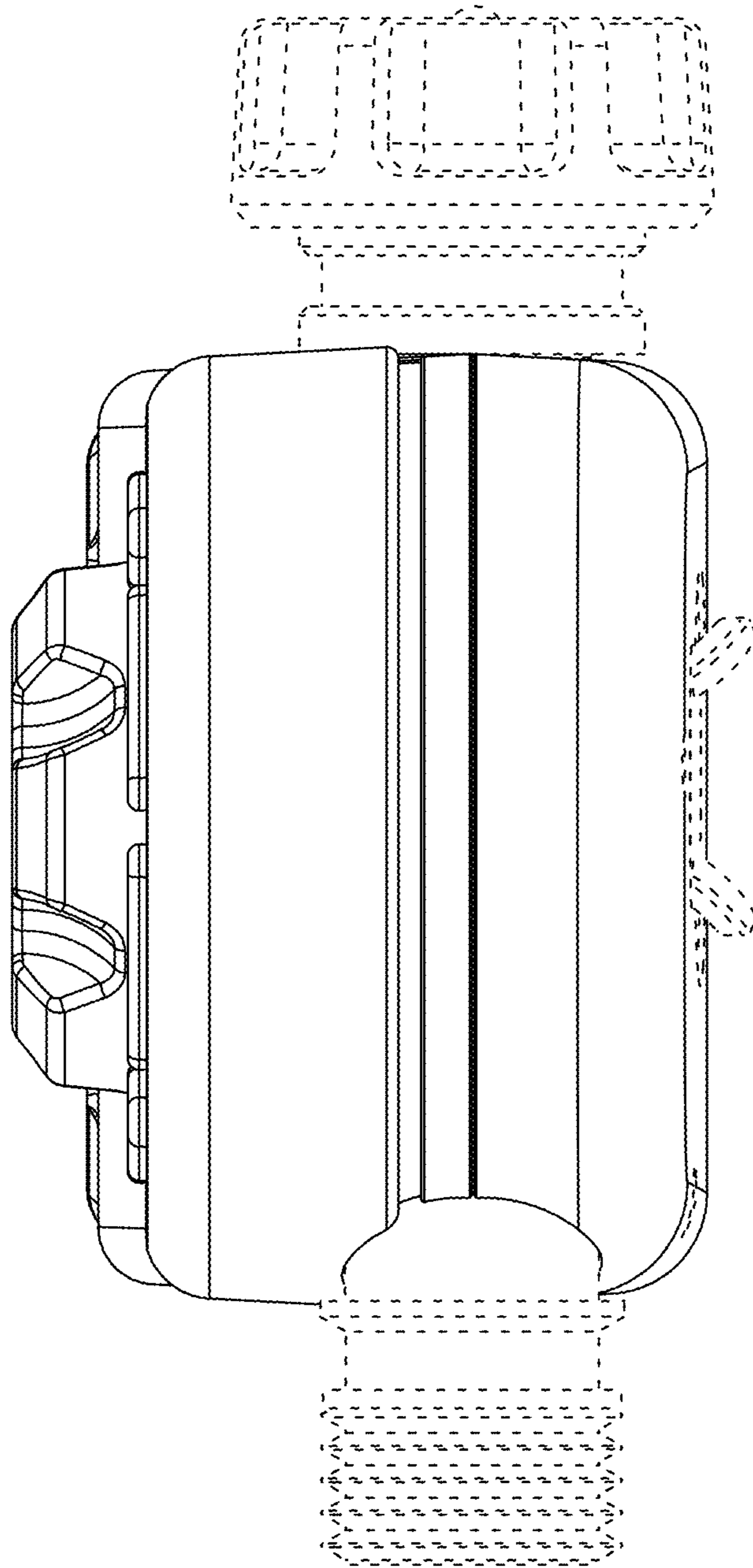
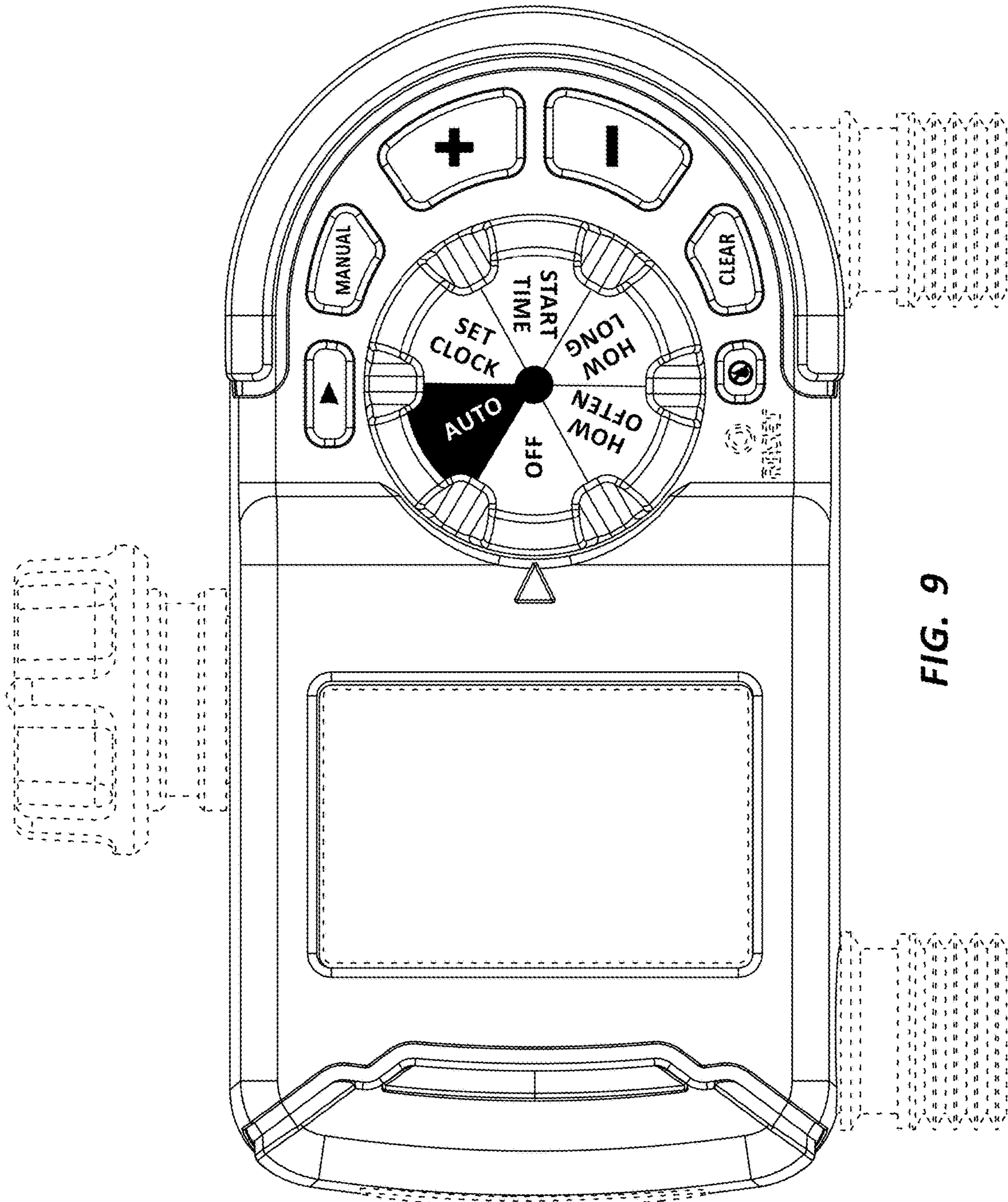


FIG. 8



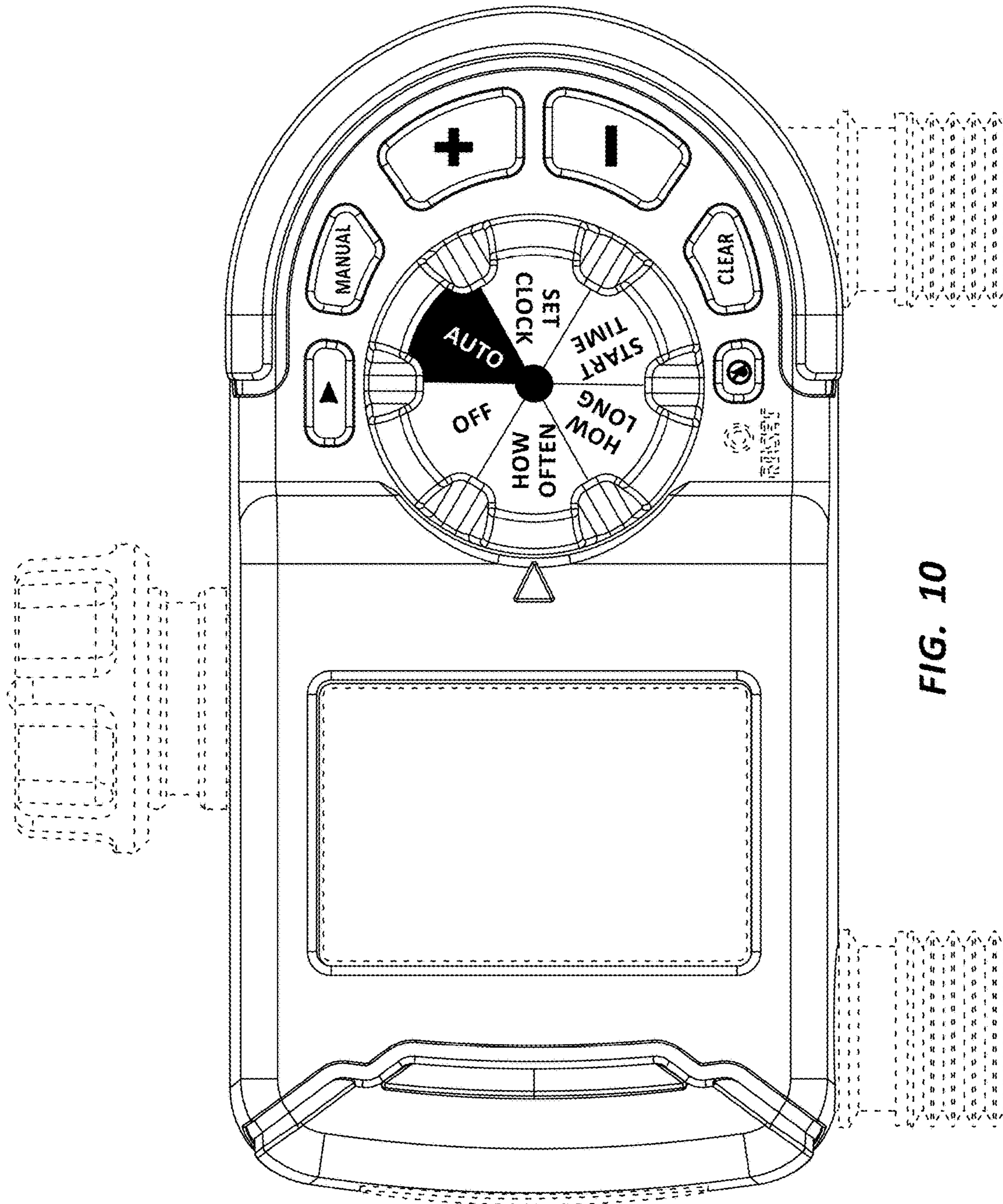
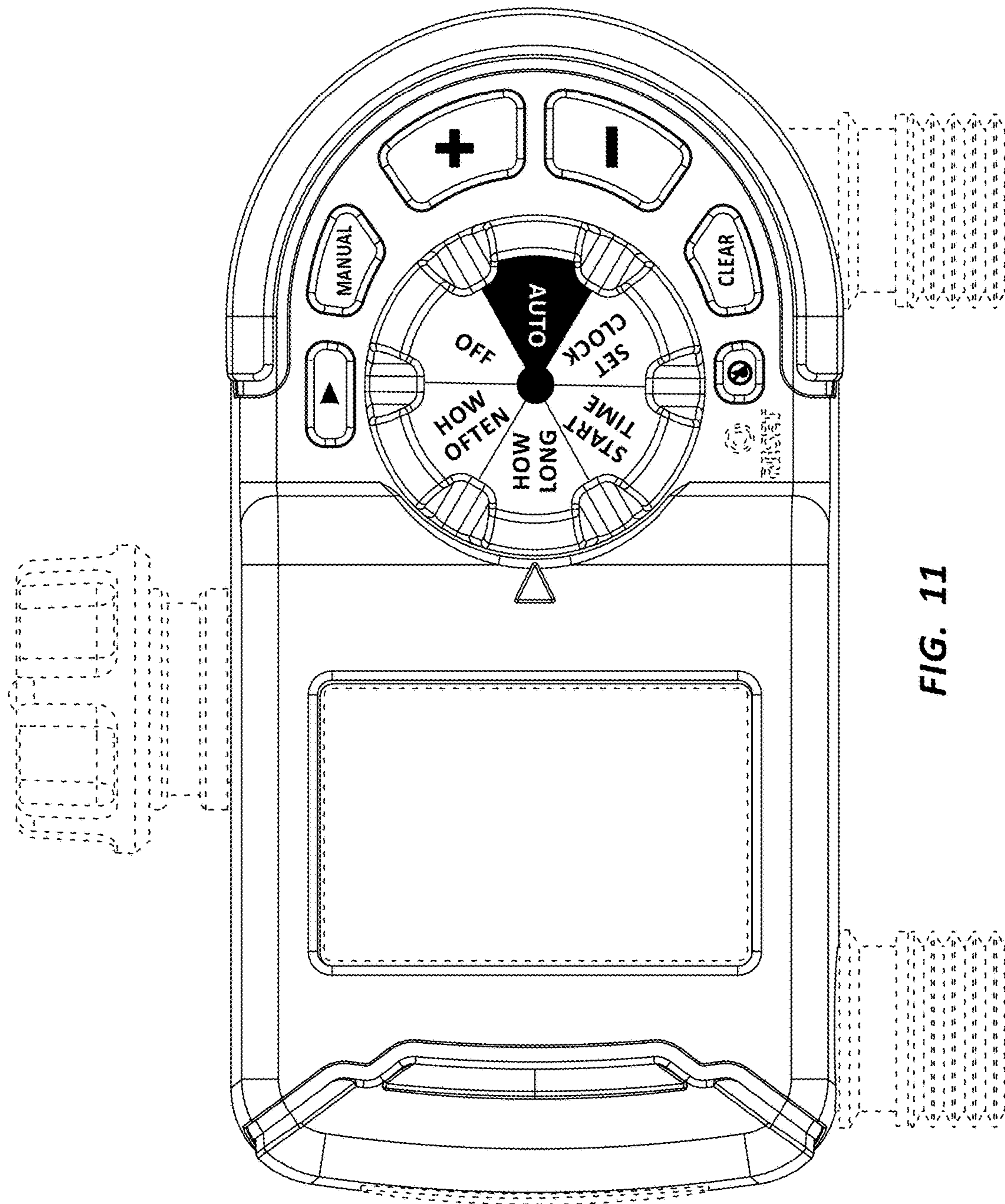


FIG. 10



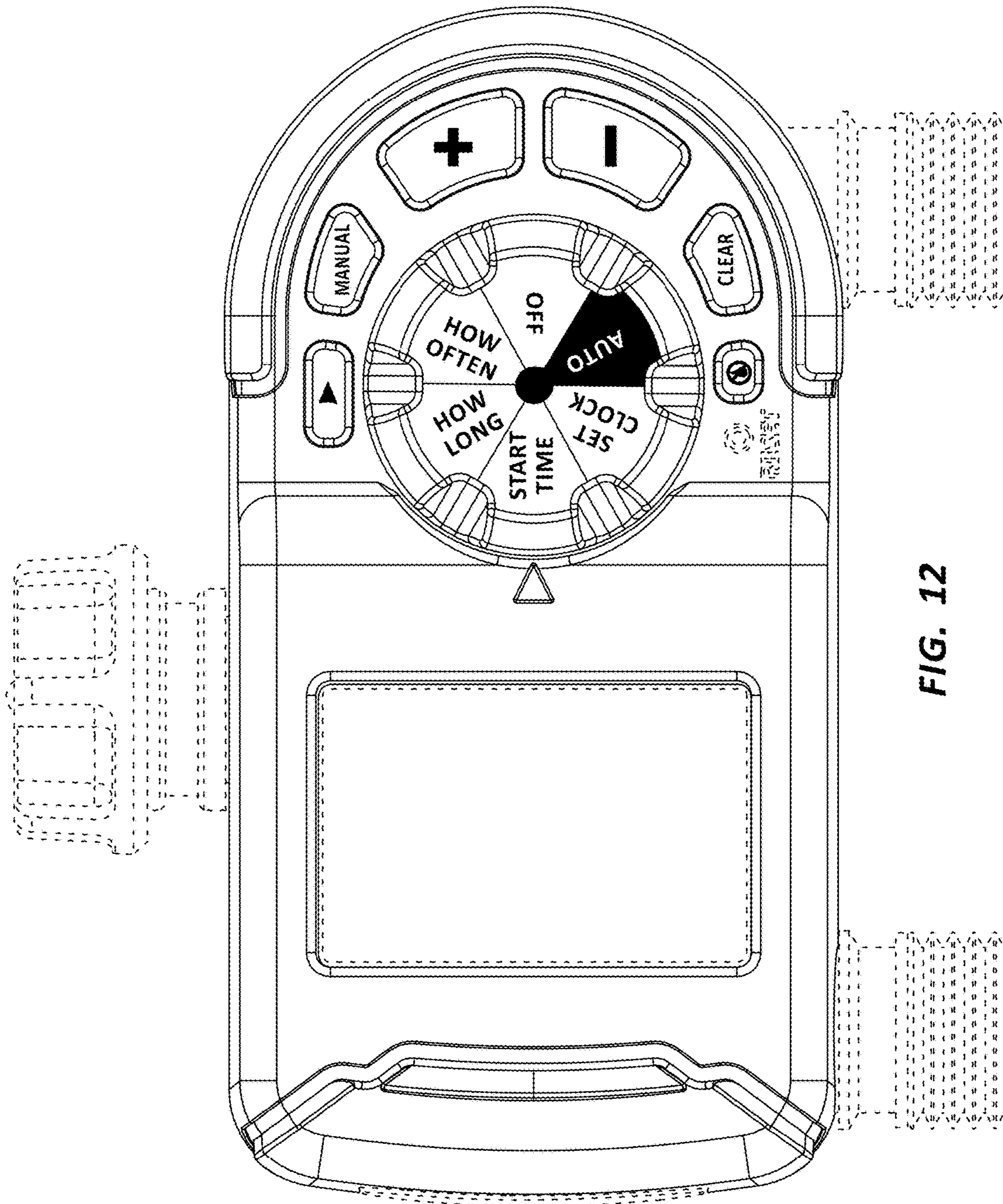


FIG. 12

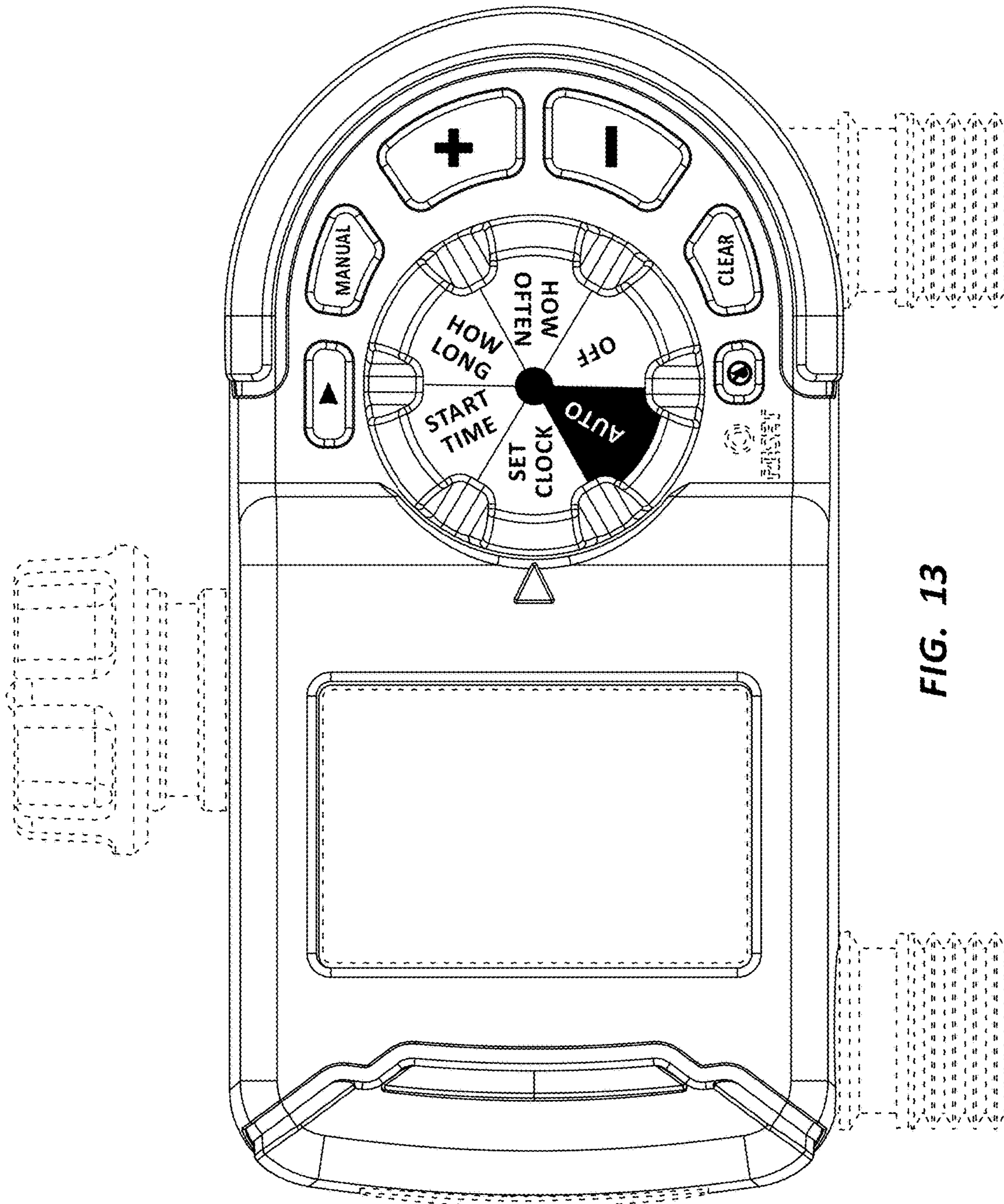


FIG. 13