



US00D778731S

(12) **United States Design Patent** (10) **Patent No.:** **US D778,731 S**  
**Sutcliffe** (45) **Date of Patent:** **\*\* Feb. 14, 2017**

(54) **DISPENSER**  
(71) Applicant: **Orbel Health Limited**, London (GB)  
(72) Inventor: **Adam Sutcliffe**, London (GB)  
(73) Assignee: **ORBEL HEALTH LIMITED**, London (GB)  
(\*\*) Term: **15 Years**

D288,847 S \* 3/1987 Kaeser ..... D24/211  
5,131,384 A 7/1992 Obagi  
D351,474 S 10/1994 Huang  
D361,386 S 8/1995 Vandenbelt  
D369,220 S 4/1996 Huang  
D375,909 S 11/1996 Dziersk et al.  
5,851,077 A 12/1998 Trejo  
D406,389 S 3/1999 Henry  
5,938,363 A 8/1999 Timms et al.  
6,729,787 B2 5/2004 Usami et al.  
6,821,043 B2 11/2004 Teh  
6,877,642 B1 4/2005 Maddox et al.

(Continued)

(21) Appl. No.: **29/534,140**

(22) Filed: **Jul. 27, 2015**

(30) **Foreign Application Priority Data**

Jan. 27, 2015 (EM) ..... 002621045-0001

(51) **LOC (10) Cl.** ..... **09-01**

(52) **U.S. Cl.**  
USPC ..... **D9/726**

(58) **Field of Classification Search**  
USPC ..... D9/434, 435, 516, 723-729; D24/211,  
D24/215; D28/4, 7; D32/21;  
215/381-385; 220/660, 675  
CPC ..... A46B 17/06; A46B 9/021; A45F 5/02;  
A45D 34/041; A61M 35/003  
See application file for complete search history.

(56) **References Cited**

**U.S. PATENT DOCUMENTS**

1,697,957 A \* 1/1929 Kelly ..... A61H 7/001  
482/148  
2,285,105 A 6/1942 Bacher et al.  
2,988,084 A 6/1961 Douglas  
3,961,852 A 6/1976 Parry  
4,037,977 A 7/1977 Ronai  
D249,707 S 9/1978 Burke et al.  
D262,908 S \* 2/1982 Pesco ..... D24/211  
4,492,223 A 1/1985 Burke

**FOREIGN PATENT DOCUMENTS**

DE 4219310 A1 12/1992  
DE 202004018315 U1 3/2005

(Continued)

*Primary Examiner* — Ian Simmons  
*Assistant Examiner* — Janice Lim  
(74) *Attorney, Agent, or Firm* — Levenfeld Pearlstein, LLC

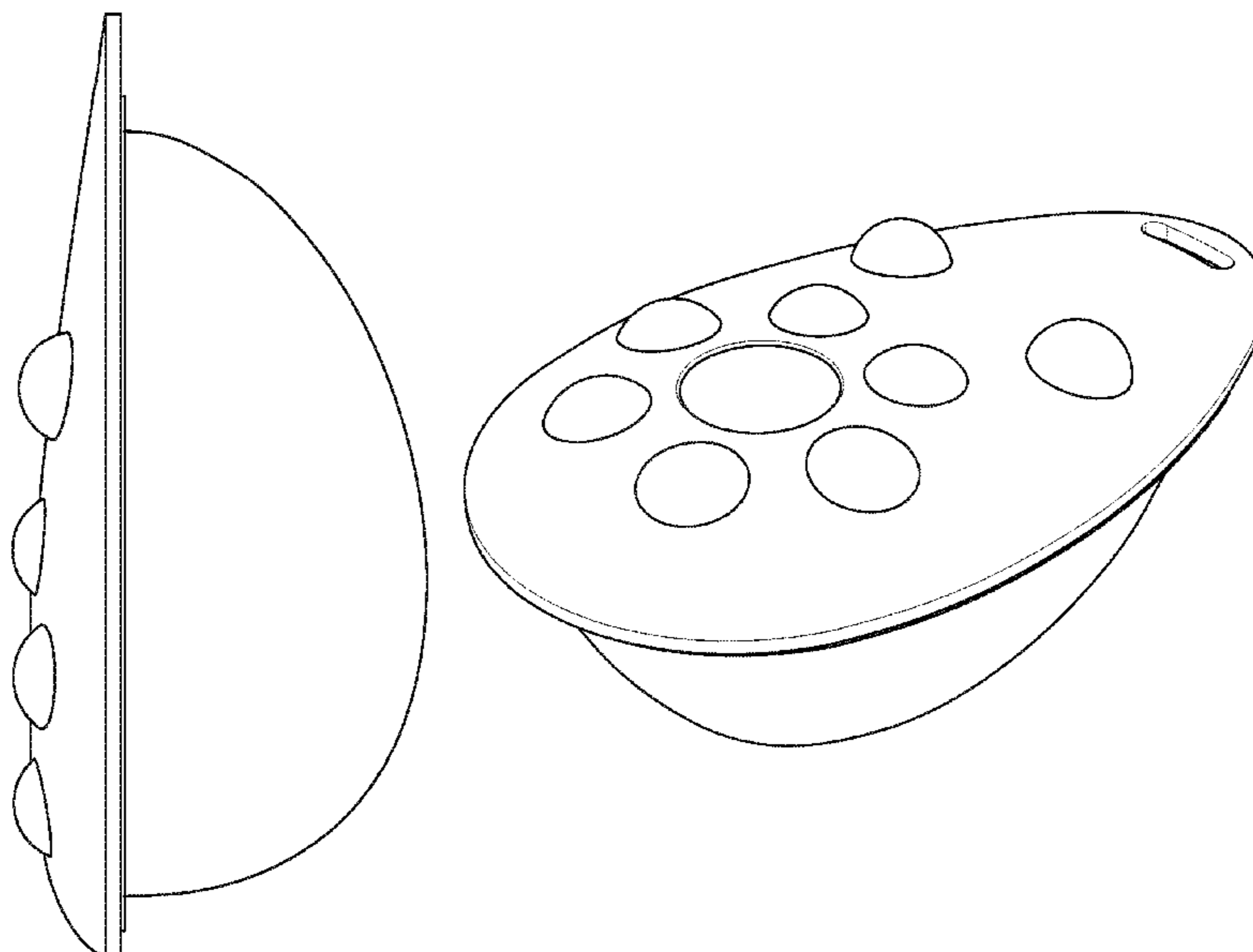
(57) **CLAIM**

The ornamental design for a dispenser, as shown and described.

**DESCRIPTION**

FIG. 1 is a front view of a dispenser, showing my new design;  
FIG. 2 is a rear view thereof;  
FIG. 3 is a bottom view thereof, shown in an enlarged scale;  
FIG. 4 is a top view thereof, shown in an enlarged scale;  
FIG. 5 is a left view thereof, shown in an enlarged scale;  
FIG. 6 is a right view thereof, shown in an enlarged scale;  
and,  
FIG. 7 is a front perspective view thereof, shown in an enlarged scale.

**1 Claim, 5 Drawing Sheets**



(56)

References Cited

2016/0113386 A1\* 4/2016 Lim ..... A46B 17/06  
134/6

U.S. PATENT DOCUMENTS

6,925,672 B1 8/2005 Bromley  
 6,983,864 B1 1/2006 Cagle  
 D518,915 S 4/2006 Angeletta  
 D527,144 S 8/2006 Crawford et al.  
 D603,336 S 11/2009 Nan  
 D607,440 S \* 1/2010 Yamakawa ..... D14/206  
 D616,103 S \* 5/2010 Ford-Robertson ..... D24/200  
 D632,587 S 2/2011 Richmond  
 7,988,020 B2 8/2011 Shoham et al.  
 D668,385 S \* 10/2012 Huljak ..... D24/211  
 D670,043 S 10/2012 Goldman  
 D695,957 S 12/2013 Faria et al.  
 D696,415 S \* 12/2013 Wang ..... D24/215  
 8,714,853 B2 5/2014 Sutcliffe et al.  
 D719,465 S 12/2014 Sutcliffe  
 D725,489 S 3/2015 Sutcliffe  
 2010/0054847 A1\* 3/2010 Sutcliffe ..... A45D 34/041  
 401/209

FOREIGN PATENT DOCUMENTS

DE 202005012664 U1 1/2006  
 EP 0375579 A2 6/1990  
 EP 1277595 A1 1/2003  
 FR 2356571 A1 1/1978  
 GB 2215673 A 9/1989  
 GB 2237776 A 5/1991  
 GB 2304607 A 3/1997  
 JP 53113685 A 10/1978  
 JP 60-12313 U 1/1985  
 JP 8115587 A 5/1995  
 JP 948479 A 2/1997  
 JP 2002541953 A 12/2002  
 JP 2004129712 A 4/2004  
 JP 2005186997 A 7/2005

\* cited by examiner

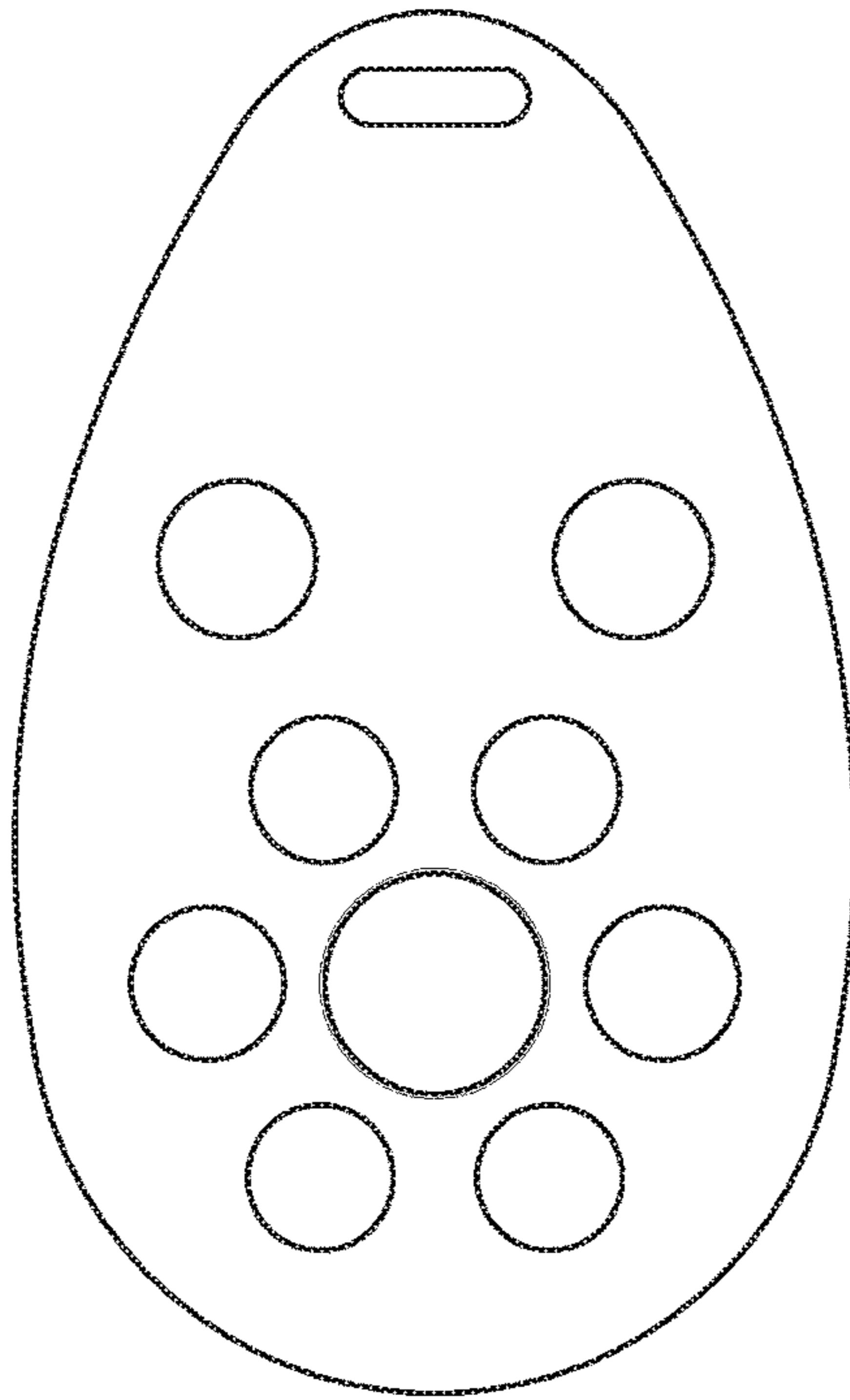


FIG. 1

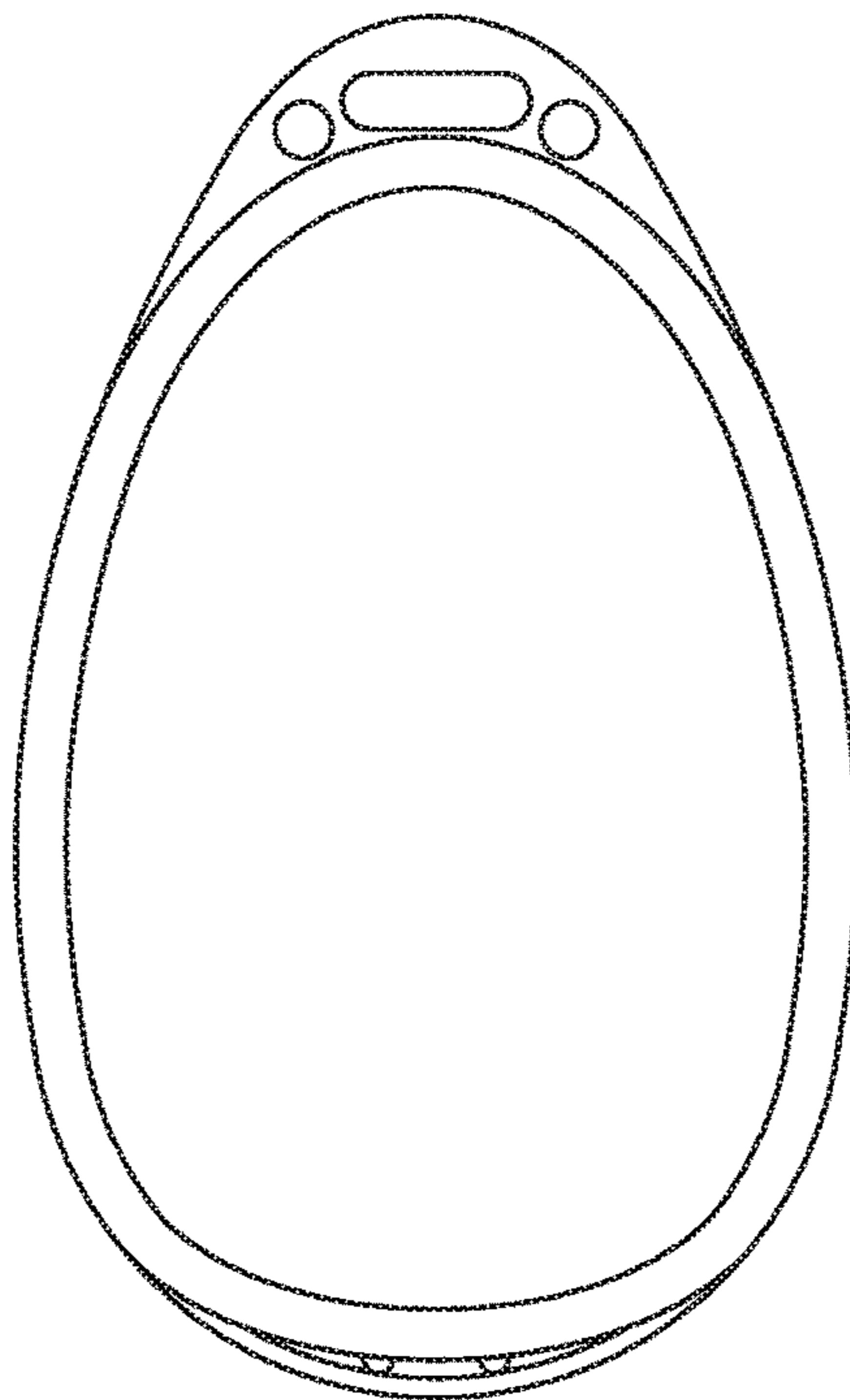


FIG. 2

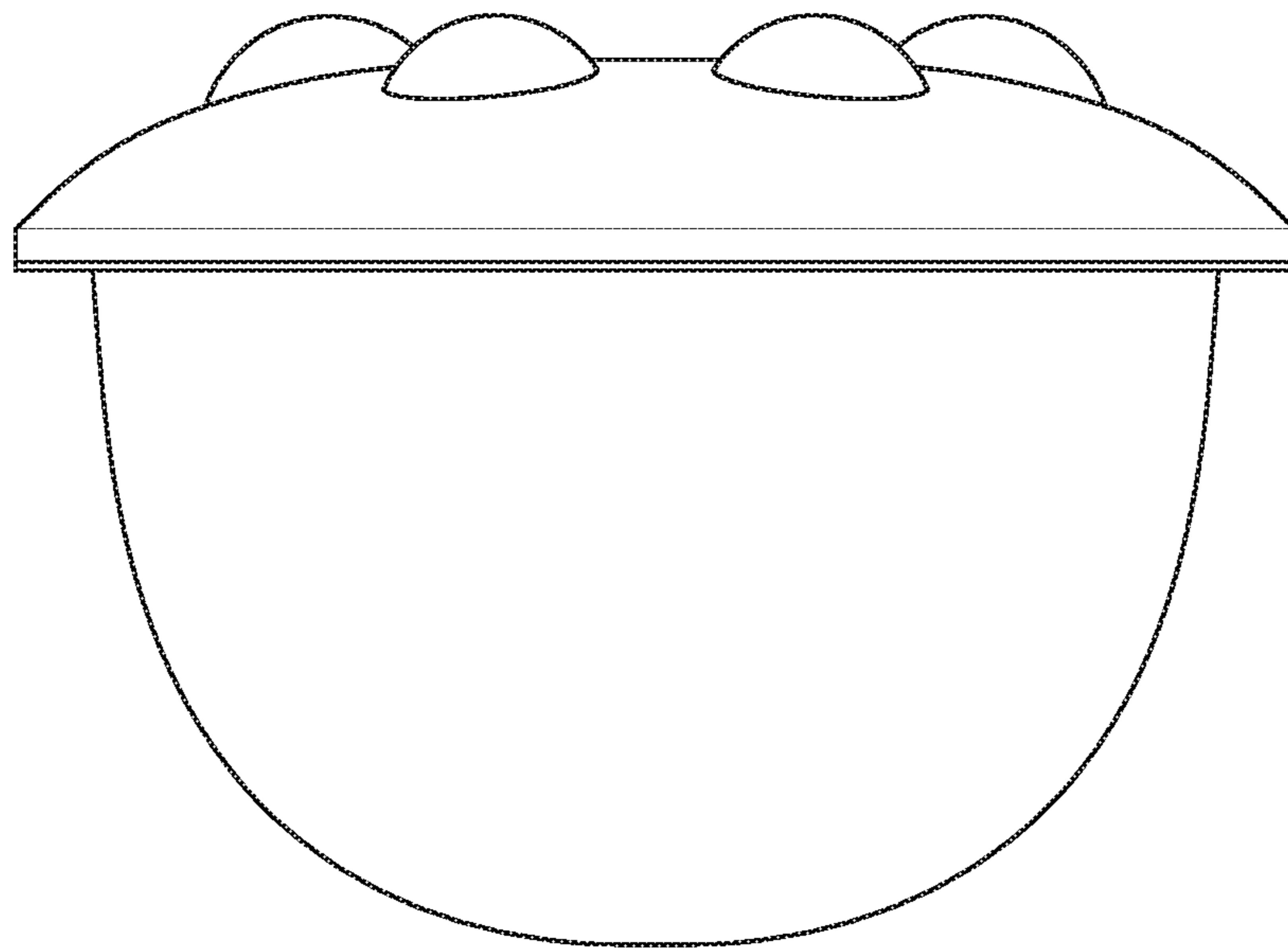


FIG. 3

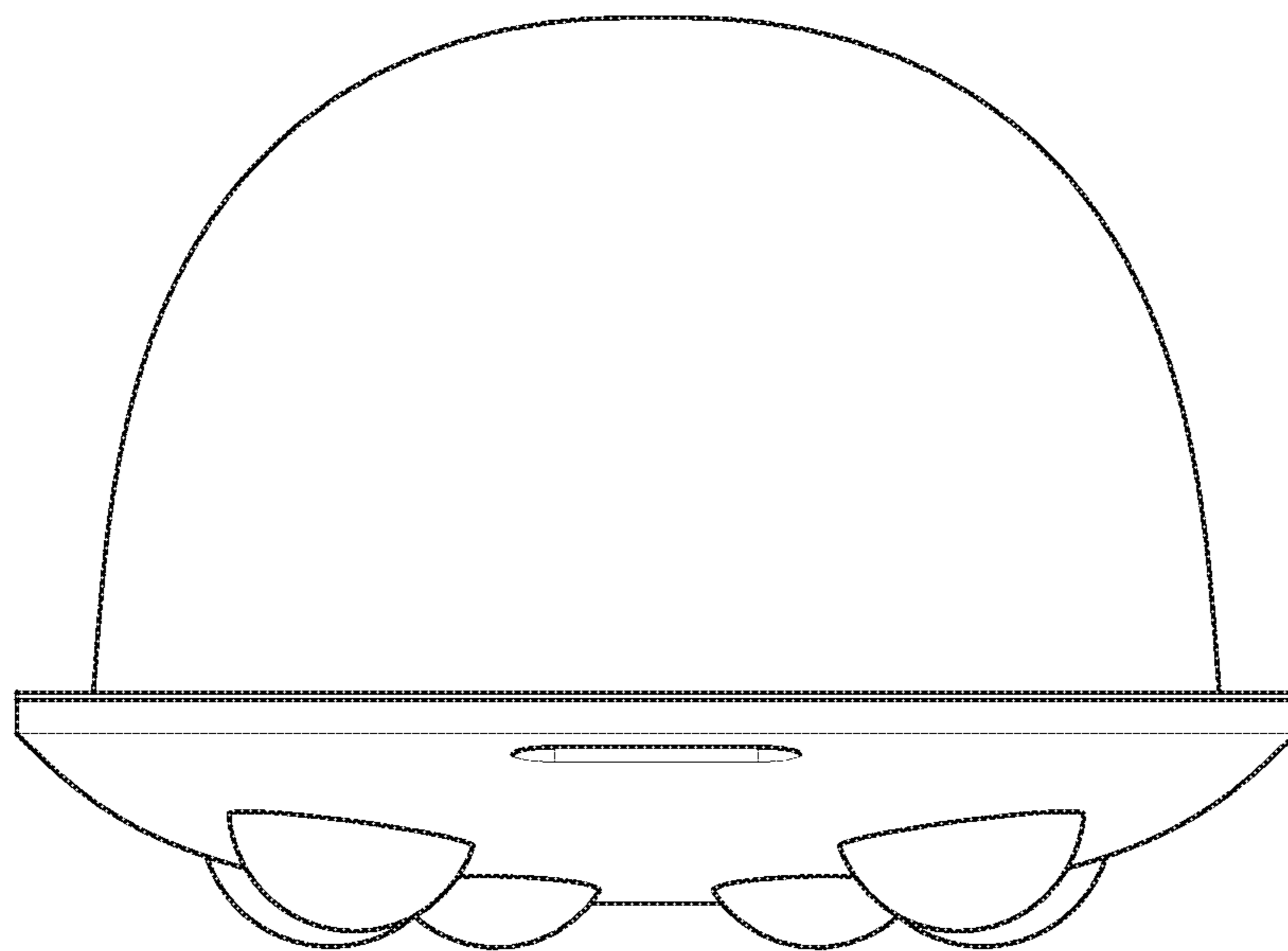


FIG. 4

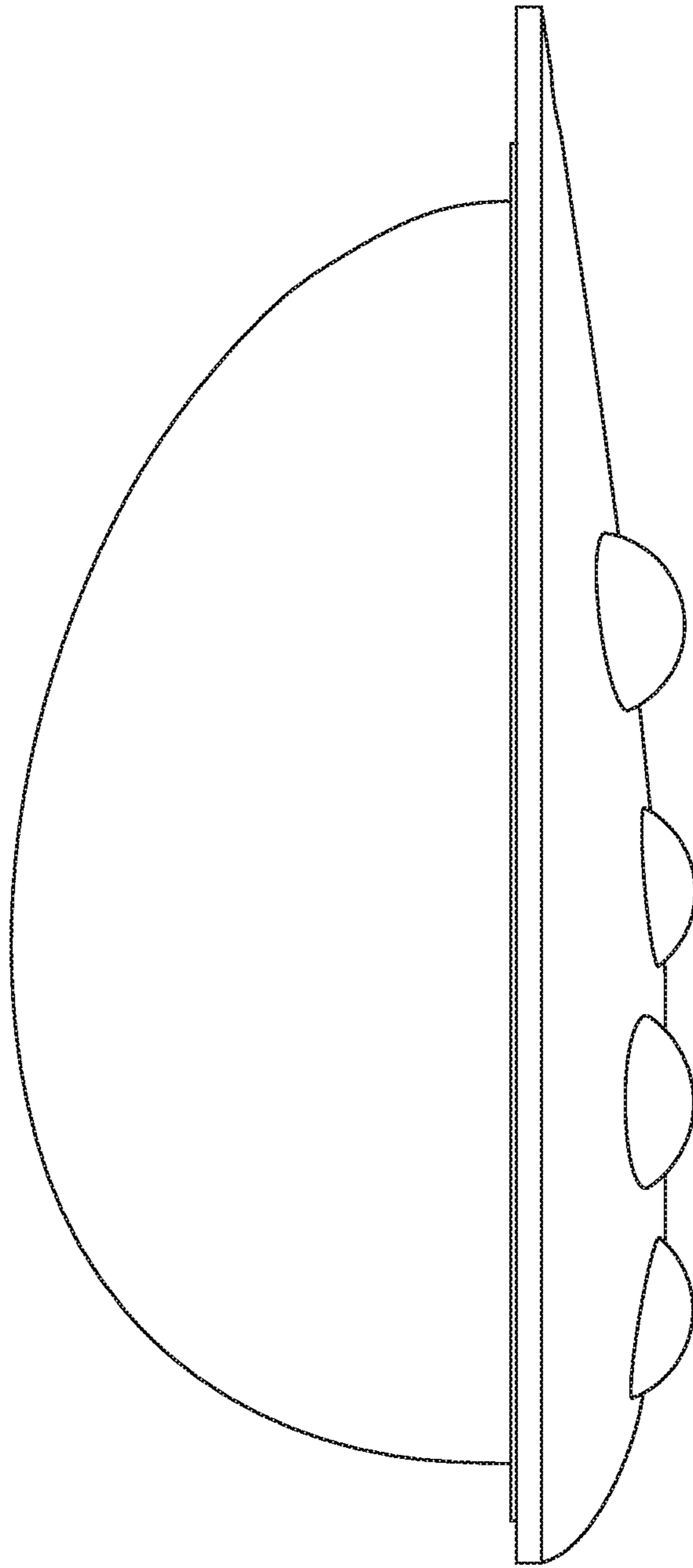


FIG. 5

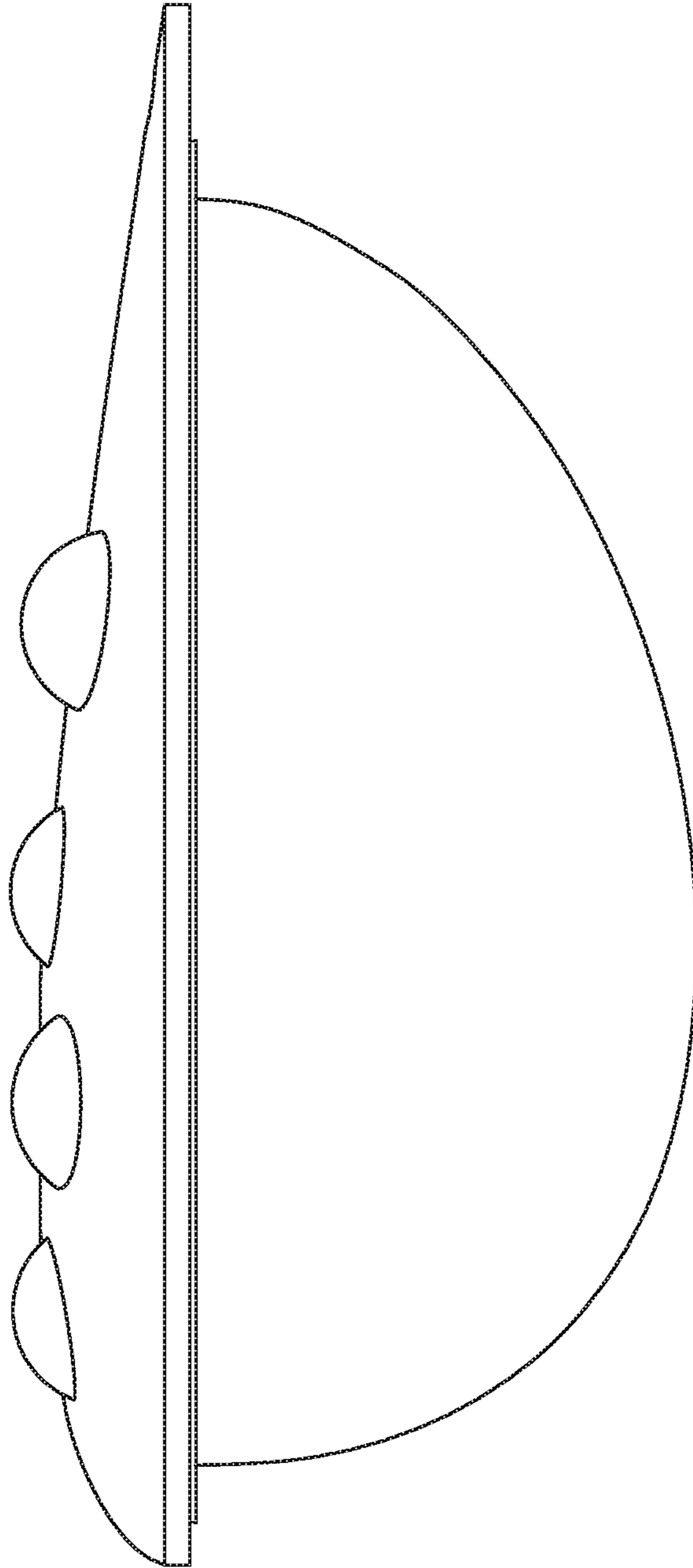


FIG. 6

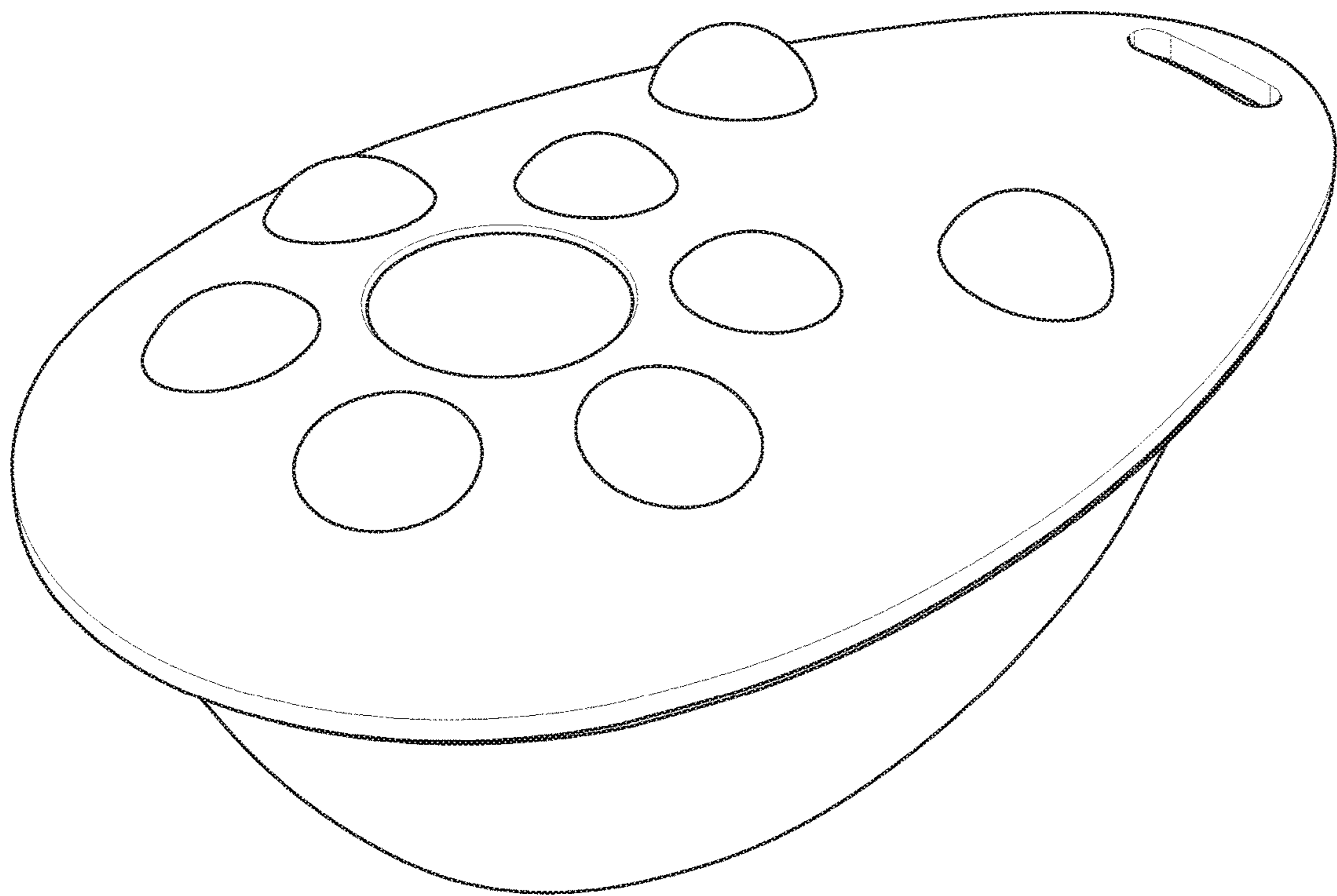


FIG. 7