



US00D778728S

(12) **United States Design Patent** (10) **Patent No.:** **US D778,728 S**
Hui (45) **Date of Patent:** **** Feb. 14, 2017**

(54) **REFILL BOTTLE**
(71) Applicant: **BEAUTY UNION GLOBAL LIMITED**, Chai Wan (HK)
(72) Inventor: **Yi Ming Hui**, Guangdong (CN)
(73) Assignee: **Beauty Union Global Limited**, Chai Wan (HK)

D565,797 S * 4/2008 Maddy D28/88
D565,952 S * 4/2008 Mettler D9/504
8,083,427 B2 * 12/2011 Maddy A45D 40/00
401/194
D655,134 S * 3/2012 Gilbert D7/510
2003/0080135 A1 * 5/2003 Bezek B65D 1/165
220/673
2008/0101850 A1 * 5/2008 Wojcik A45D 34/04
401/265

(**) Term: **14 Years**
(21) Appl. No.: **29/513,175**
(22) Filed: **Dec. 29, 2014**

(30) **Foreign Application Priority Data**
Jun. 27, 2014 (EM) 001414858
(51) **LOC (10) Cl.** **09-01**
(52) **U.S. Cl.**
USPC **D9/529**
(58) **Field of Classification Search**
USPC D9/504, 505, 516, 544-546, 682,
D9/686-692, 537-539; D28/73, 88, 89;
215/379, 381, 382, 384; 220/660, 662,
220/669, 675
CPC A45D 34/04; A45D 40/00; A45D 40/04;
A45D 40/16; B65D 1/02; B65D 1/0223;
B65D 2501/0081
See application file for complete search history.

(56) **References Cited**
U.S. PATENT DOCUMENTS
D185,339 S * 5/1959 Wolff D28/89
D483,155 S * 12/2003 Orsomando D28/89
D518,381 S * 4/2006 Egawa D9/504
D539,984 S * 4/2007 Egawa D28/89
D562,137 S * 2/2008 Florio D28/89

OTHER PUBLICATIONS

Mulberry Lipstick, announced Oct. 2012, [online], site visited Aug. 18, 2016. Available from Internet, <URL: <http://www.ommorphiabeautybar.com>>.*

* cited by examiner

Primary Examiner — Ian Simmons
Assistant Examiner — Janice Lim
(74) *Attorney, Agent, or Firm* — William Dippert;
Laurence Greenberg; Werner Stemer

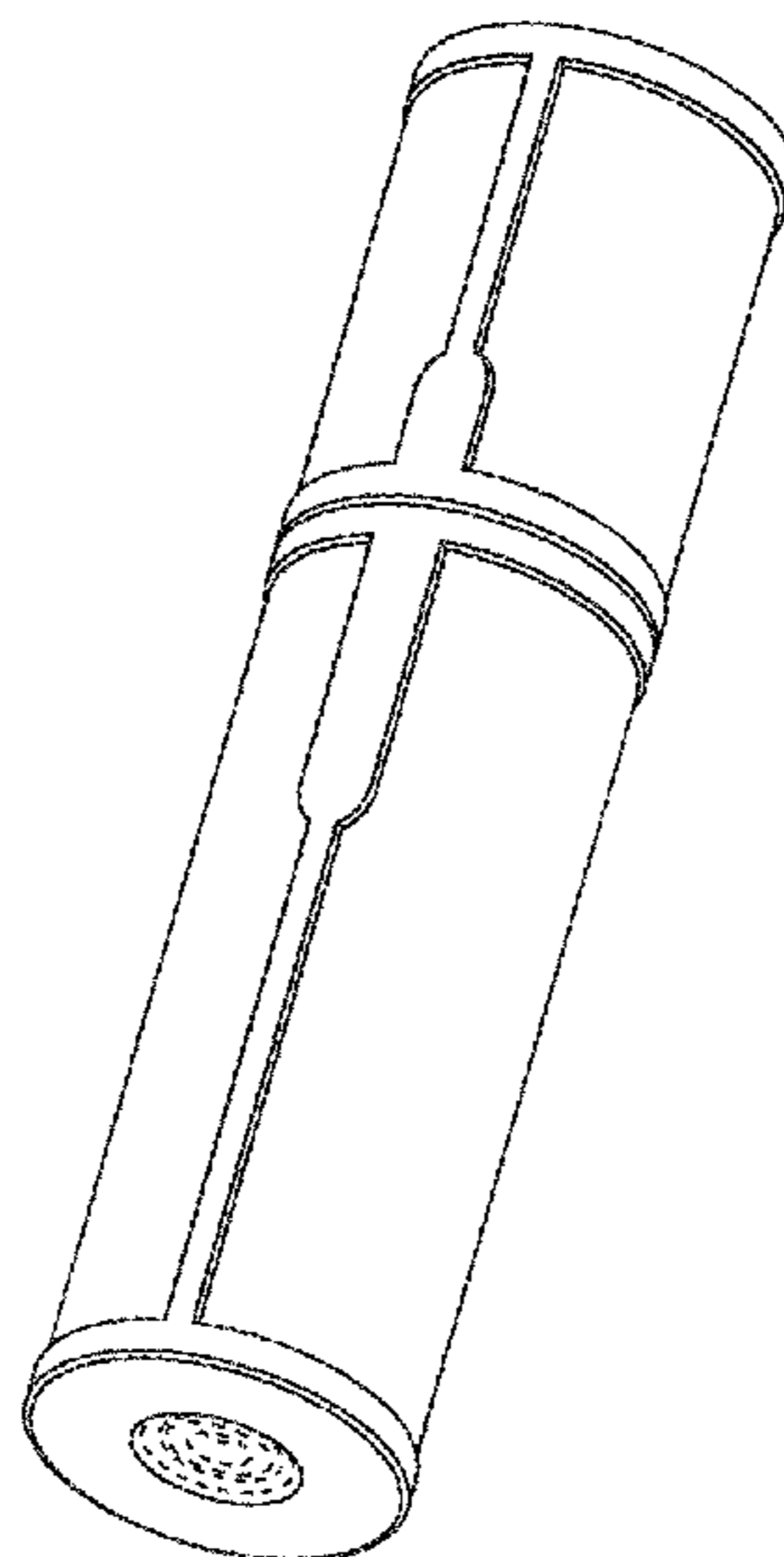
(57) **CLAIM**

The ornamental design for a refill bottle, as shown and described.

DESCRIPTION

FIG. 1 is an isometric view of a refill bottle, showing my new design.
FIG. 2 is a front elevation view thereof.
FIG. 3 is a rear elevation view thereof.
FIG. 4 is a right side elevation view thereof.
FIG. 5 is a left side elevation view thereof.
FIG. 6 is a top plan view thereof; and,
FIG. 7 is a bottom plan view thereof.
The broken line portions are included to show unclaimed subject matter only and form no part of the claimed design.

1 Claim, 3 Drawing Sheets



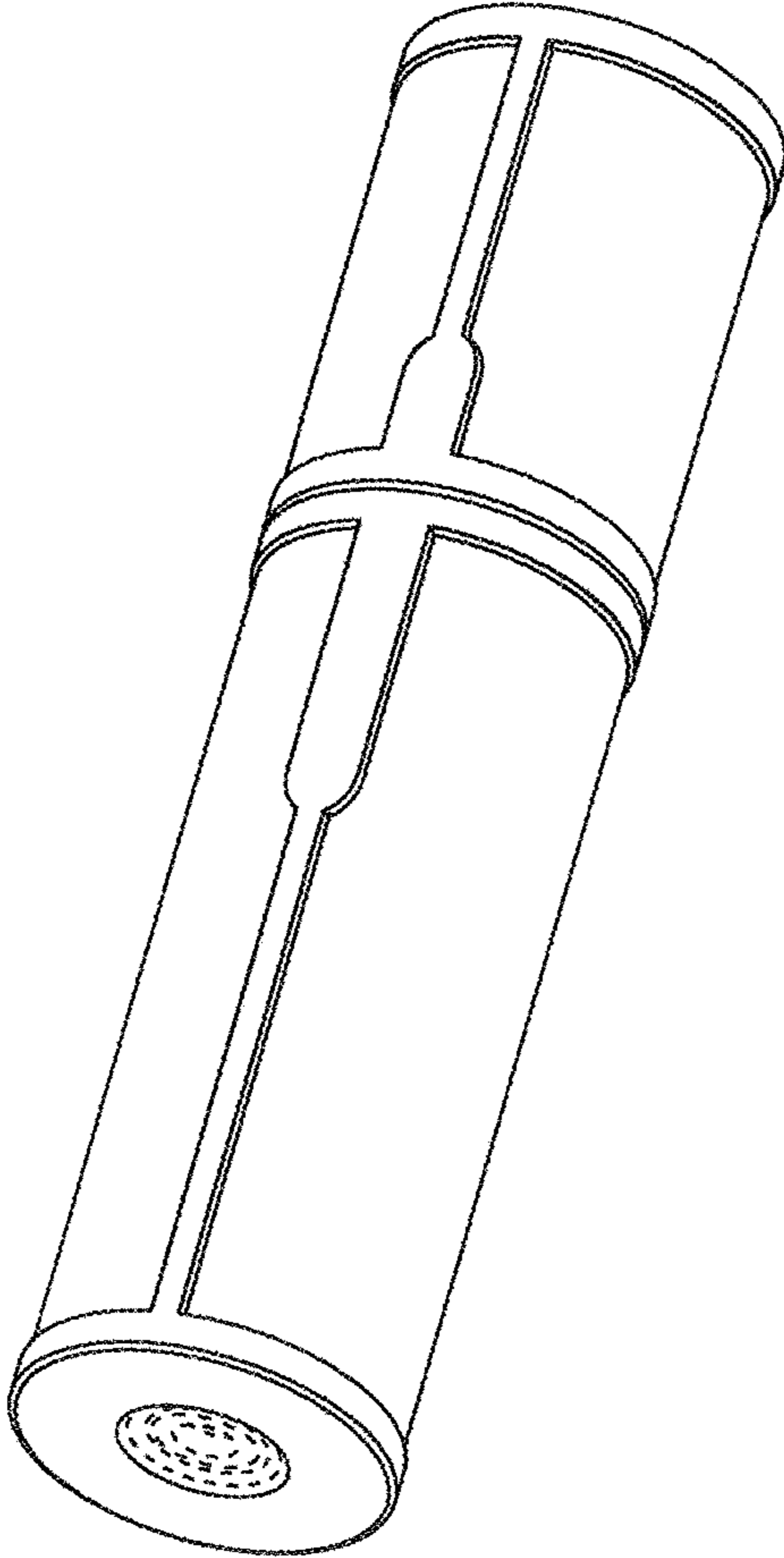


Fig. 1

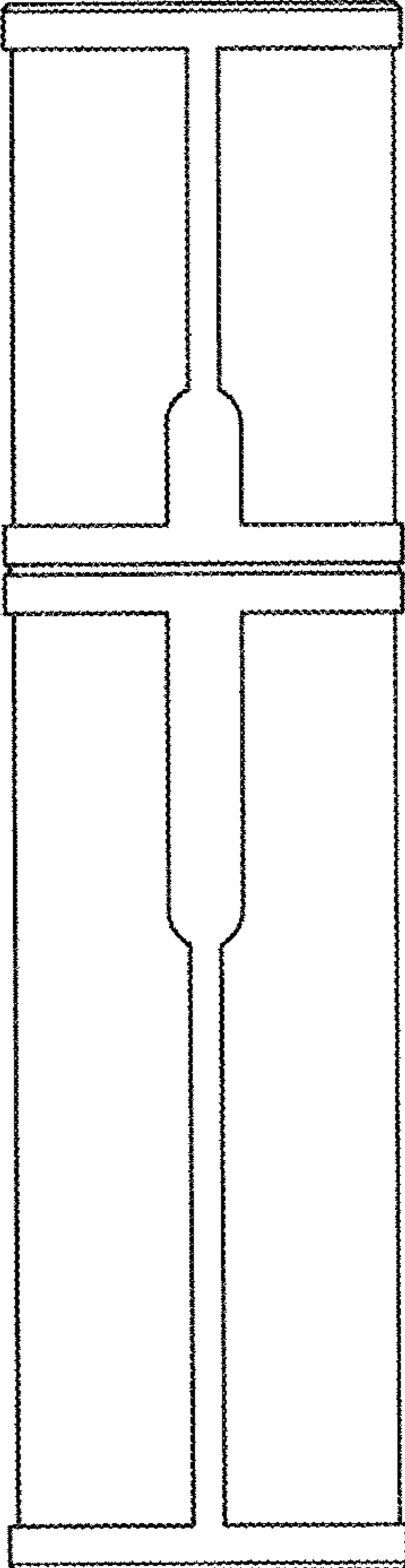


Fig. 2

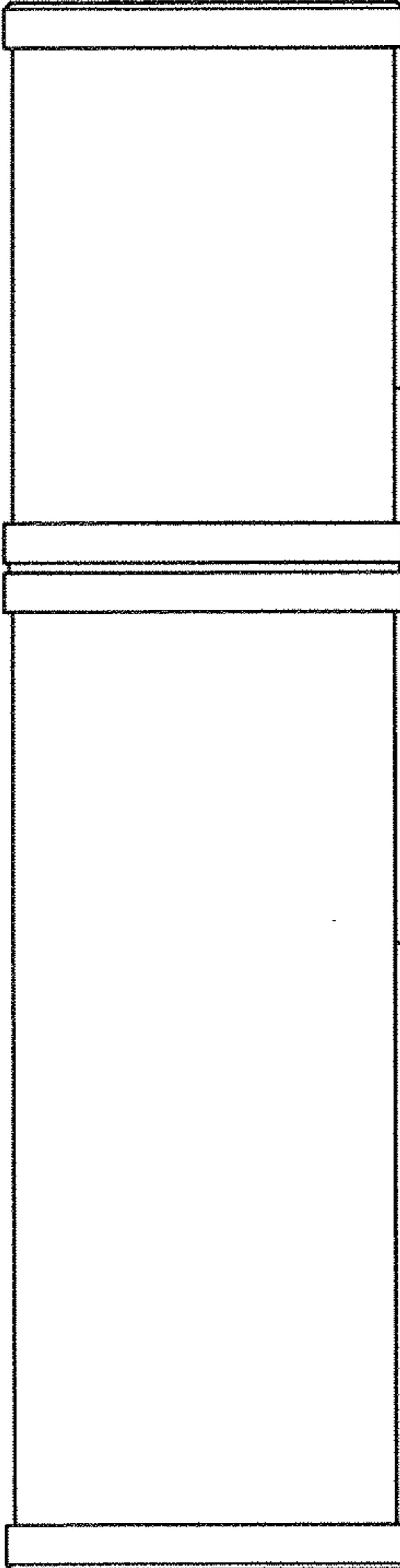


Fig. 3

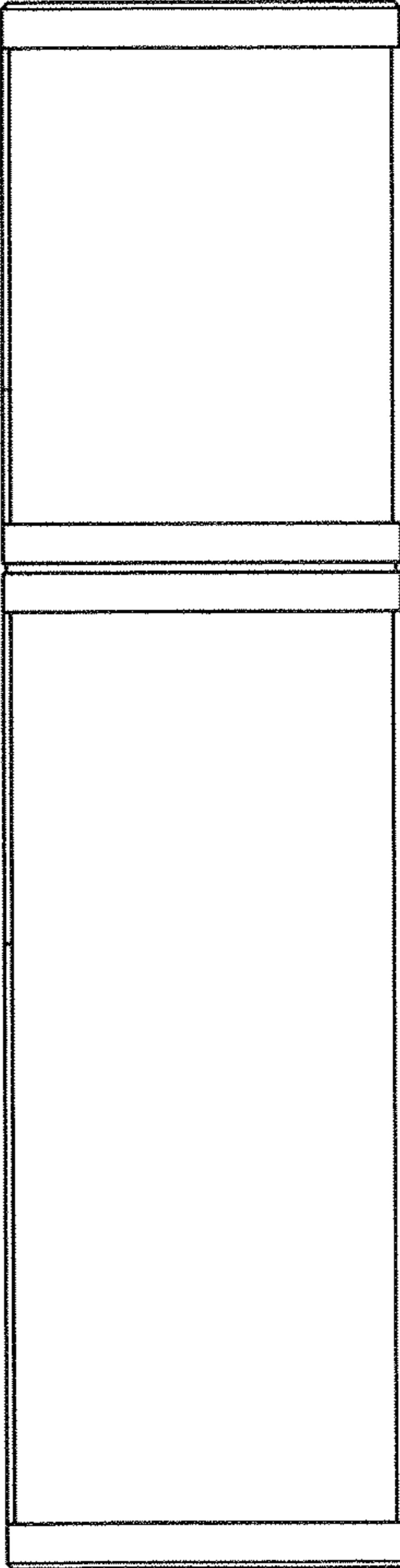


Fig. 4

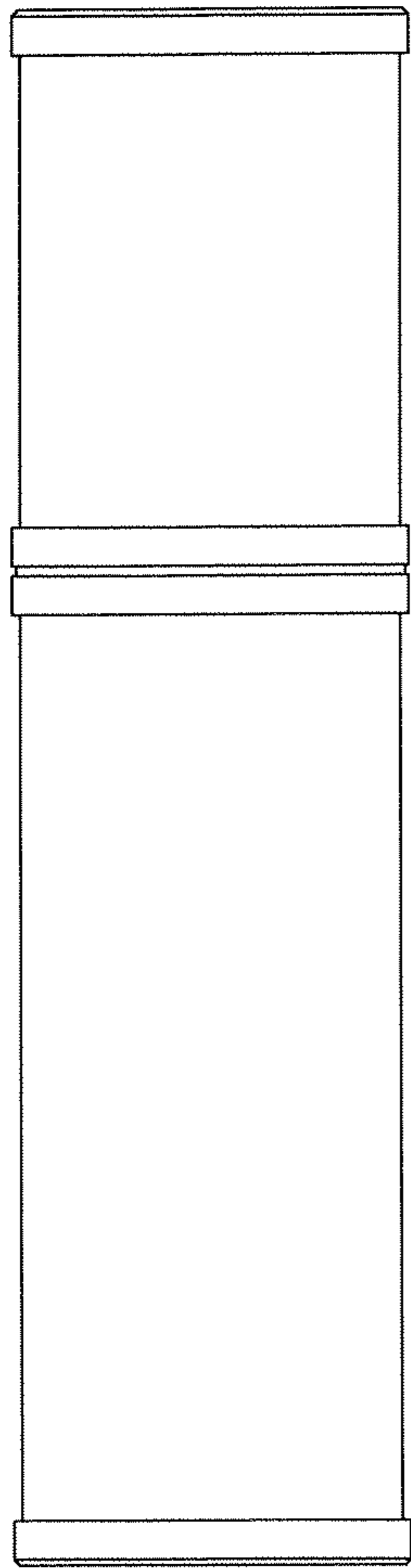


Fig. 5

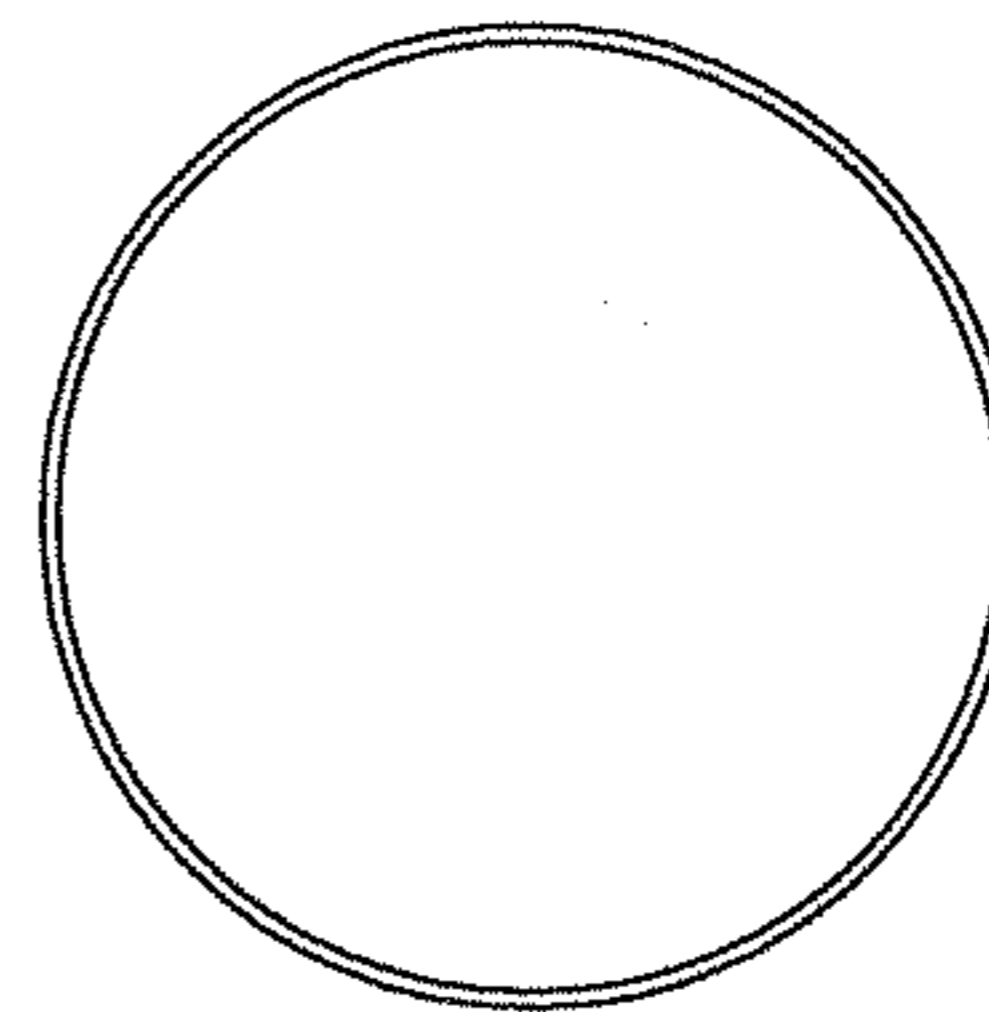


Fig. 6

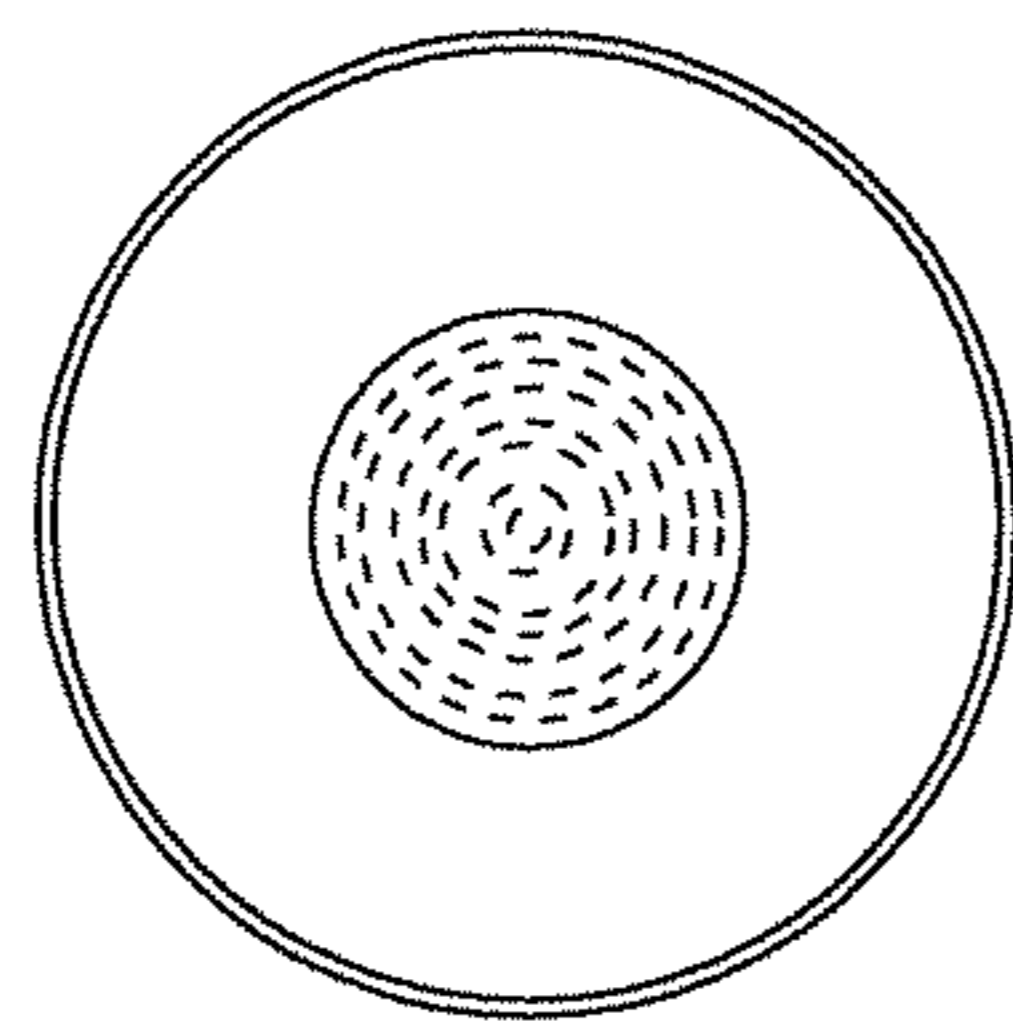


Fig. 7