



US00D778725S

(12) **United States Design Patent** (10) **Patent No.:** **US D778,725 S**
Sorensen et al. (45) **Date of Patent:** **** Feb. 14, 2017**

(54) **SPOUT FOR A CONTAINER**
(71) Applicant: **RUNWAY BLUE, LLC**, Lehi, UT (US)
(72) Inventors: **Steven M. Sorensen**, Alpine, UT (US);
Kim L. Sorensen, Alpine, UT (US);
David O. Meyers, East Layton, UT (US)
(73) Assignee: **Runway Blue, LLC**, Lehi, UT (US)
(**) Term: **14 Years**
(21) Appl. No.: **29/514,161**
(22) Filed: **Jan. 8, 2015**
(51) **LOC (10) Cl.** **09-07**
(52) **U.S. Cl.**
USPC **D9/447; D9/434; D9/435**
(58) **Field of Classification Search**
USPC D3/202, 203.1; D6/309, 524; D7/300,
D7/300.1, 396.1, 396.2, 601, 602, 612,
D7/900; D8/350, 352, 354, 356, 360,
D8/360.1, 373, 375, 378, 379, 382, 383,
D8/397, 399; D9/434, 435, 447, 454, 529,
D9/686, 688, 690, 417, 418, 516;
D10/123, 126, 128; D23/254; D26/36,
D26/118, 123, 124; D27/118; 215/320,
215/12.1, 42, 200, 217, 225, 226, 228,
215/230, 233, 235, 236, 237, 238, 249,
215/251, 253, 254, 305, 306, 321, 382;
220/339, 345, 392, 592.16, 592.17, 694,
220/711, 714, 715, 254.2, 254, 3, 254.5,
220/254.7, 254.9, 260, 264, 266, 285,
220/368, 521, 812, 835, 837; 222/92.107,
222/153.05, 213.491, 92, 107, 207, 212,
222/213, 254.5, 321.1, 321.7, 321.9, 375,
222/383.1, 383.2, 383.3, 484, 494, 472,
222/480, 521, 544, 556, 810, 813, 835,
222/837; 206/216, 538, 539, 546
CPC B65D 41/00; B65D 47/00; B65D 51/02;
B65D 51/04; B65D 25/77; B65D 25/00;
B65D 23/08; B65D 39/00; B65D 43/00;
B65D 43/02; B65D 43/265; B65D 43/267;
A45D 33/00; A45D 33/18
See application file for complete search history.

(56) **References Cited**
U.S. PATENT DOCUMENTS
3,702,668 A * 11/1972 Landen B65D 50/06
222/182
D250,511 S * 12/1978 Affleck D28/91.1
D281,582 S * 12/1985 Borkan D9/437
D321,468 S * 11/1991 Reid D23/249
(Continued)

FOREIGN PATENT DOCUMENTS
KR 300728101.0000 * 2/2014
KR 300818353.0000 * 10/2015

OTHER PUBLICATIONS
U.S. Appl. No. 29/514,158, filed Jan. 8, 2015, Sorensen, et al.
U.S. Appl. No. 29/514,160, filed Jan. 8, 2015, Sorensen, et al.
U.S. Appl. No. 29/514,162, filed Jan. 8, 2015, Sorensen, et al.
Primary Examiner — Thomas Johannes
Assistant Examiner — Catherine Posthauer
(74) *Attorney, Agent, or Firm* — Maschoff Brennan

(57) **CLAIM**
The ornamental design for a spout for a container, as shown and described.

DESCRIPTION
FIG. 1 is a top perspective view of a spout for a container shown in a usage environment, forming no part of the claimed design;
FIG. 2 is a top perspective view thereof, with portions of the usage environment removed to show details forming part of the claimed design;
FIG. 3 is an enlarged top perspective view thereof, with the usage environment removed to show details forming part of the claimed design;
FIG. 4 is a front perspective view thereof;
FIG. 5 is a right side view thereof, with the rear, right, and left sides views being a mirror image thereof;
(Continued)

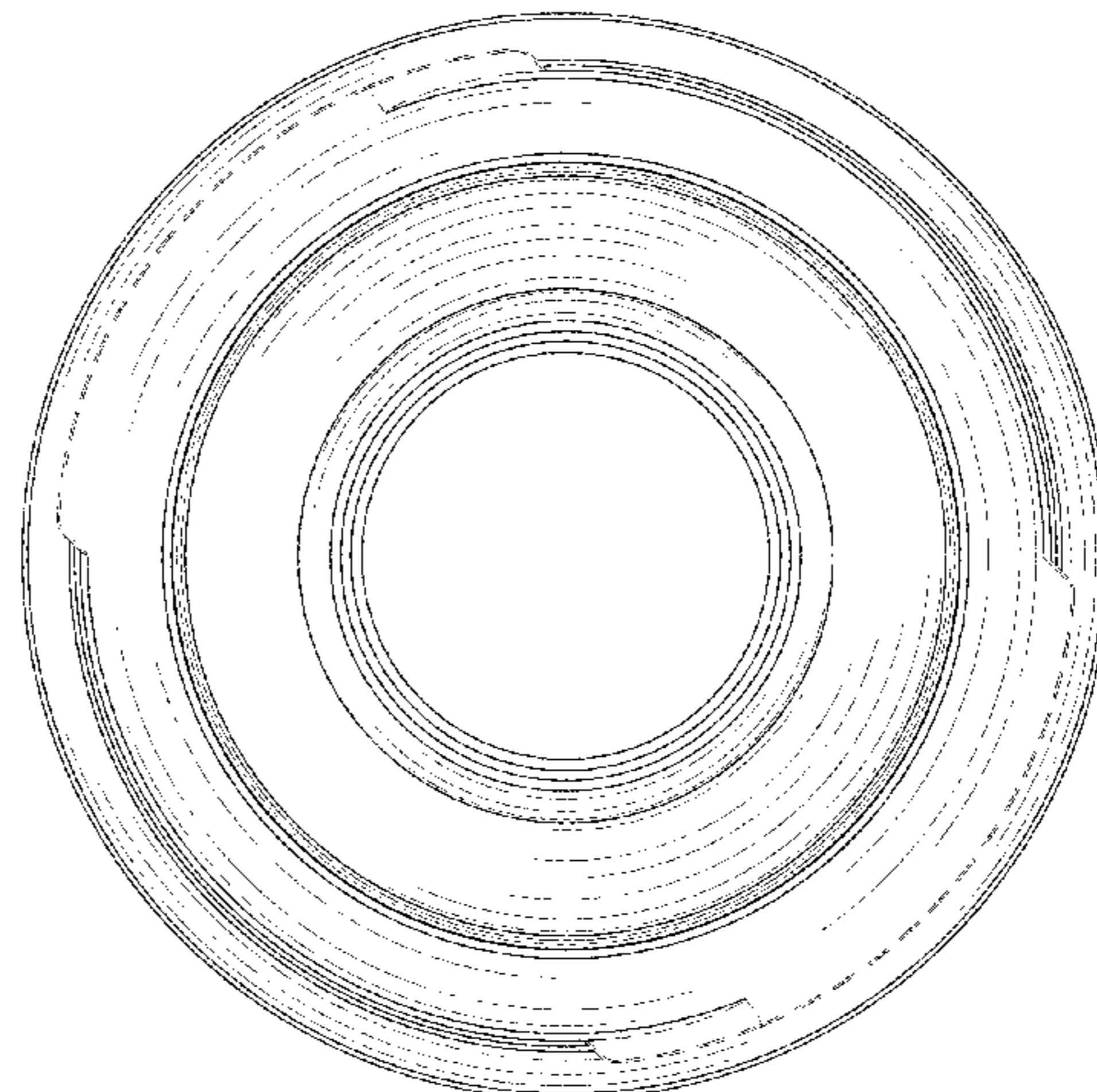
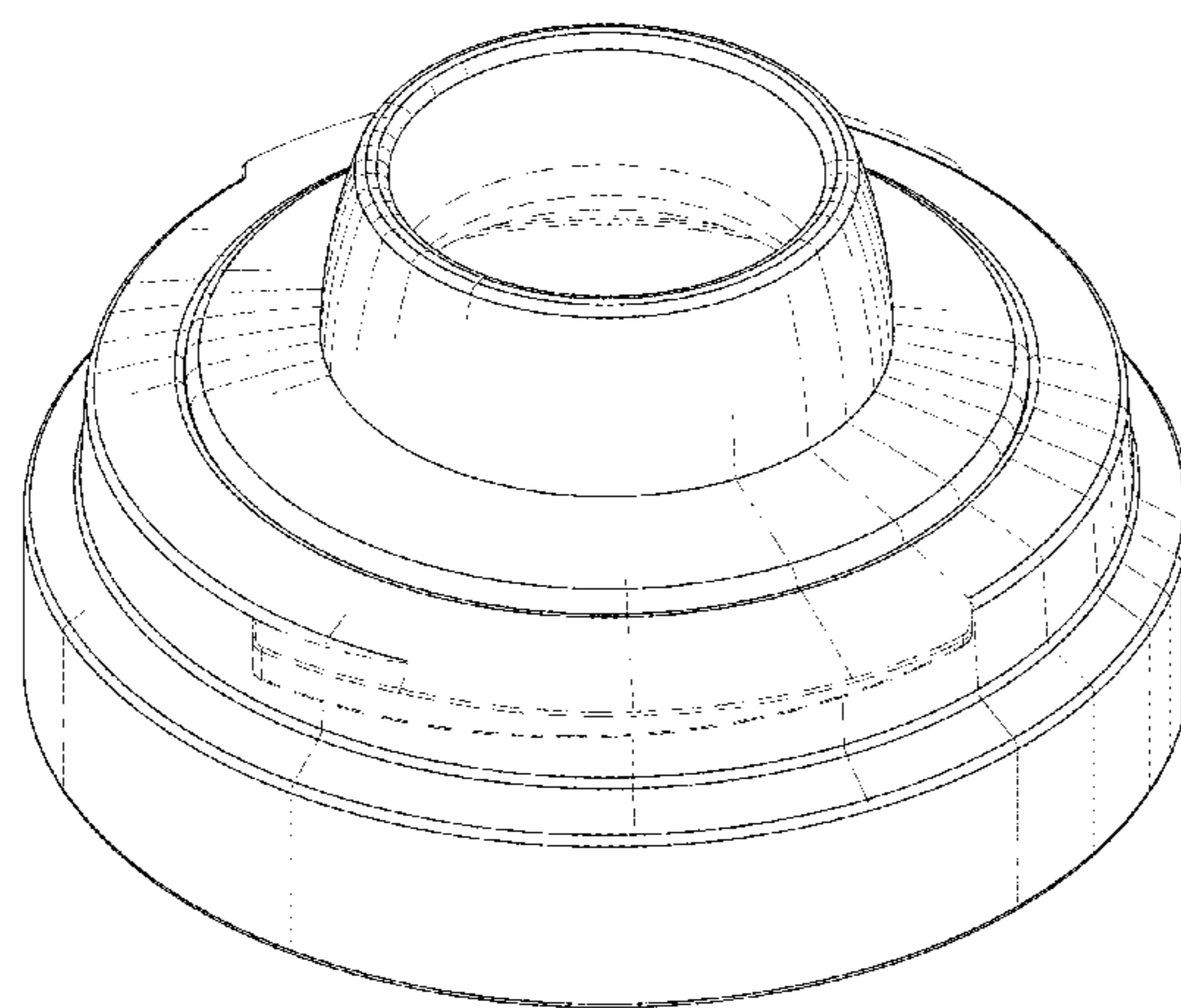


FIG. 6 is a top view of thereof; and,

FIG. 7 is a bottom view of thereof.

The broken lines are shown for the purpose of illustrating environmental structure and parts of the article that form no part of the claimed design.

1 Claim, 7 Drawing Sheets

(56)

References Cited

U.S. PATENT DOCUMENTS

D363,429 S * 10/1995 Lee D9/454
 D370,550 S * 6/1996 Lecluze D26/118
 D447,410 S * 9/2001 Malmberg D9/434
 D453,472 S * 2/2002 Kwong D9/447
 D473,934 S * 4/2003 Singtoroj D23/254

D551,550 S * 9/2007 Noonan D9/454
 D601,295 S * 9/2009 Brown D26/118
 D604,614 S * 11/2009 Janboecke D9/454
 D611,296 S * 3/2010 Ingman D7/392.1
 D623,061 S * 9/2010 Wong D9/454
 D633,387 S * 3/2011 Gatto D9/434
 D648,424 S * 11/2011 Gilbert 137/359
 D677,162 S * 3/2013 Sharma D7/392.1
 D687,144 S * 7/2013 Gronberg D24/127
 D692,758 S * 11/2013 Concin D9/454
 D717,651 S * 11/2014 Marina D9/454
 D730,734 S * 6/2015 Rapparini D9/454
 2009/0308832 A1 * 12/2009 Von Spreckel-
 sen B65D 47/0804
 215/235
 2010/0032438 A1 * 2/2010 Bourque B05B 1/3006
 220/694
 2013/0213924 A1 * 8/2013 Vrijens B65D 51/002
 215/355

* cited by examiner

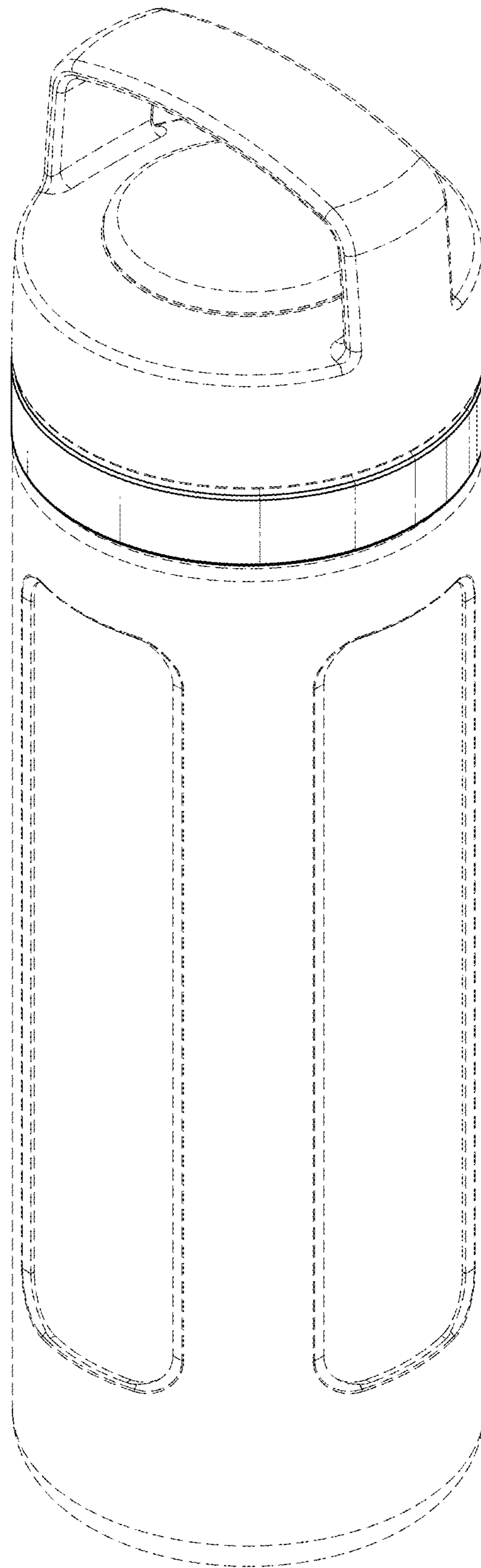


FIG. 1

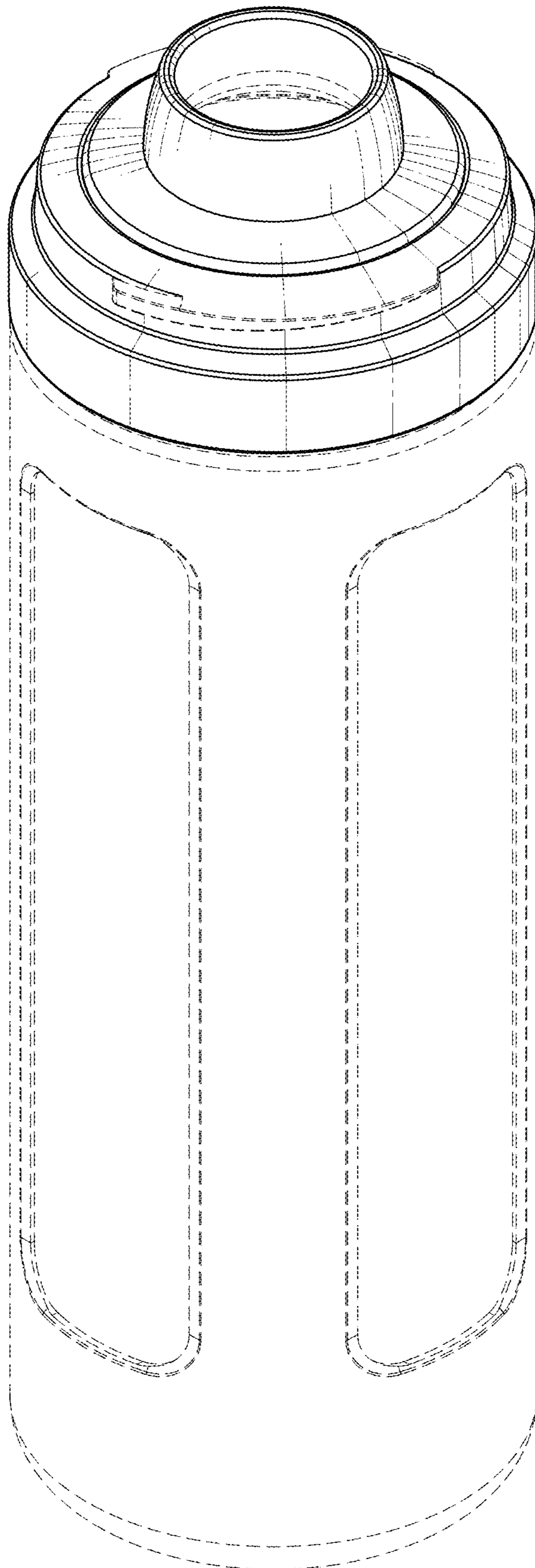


FIG. 2

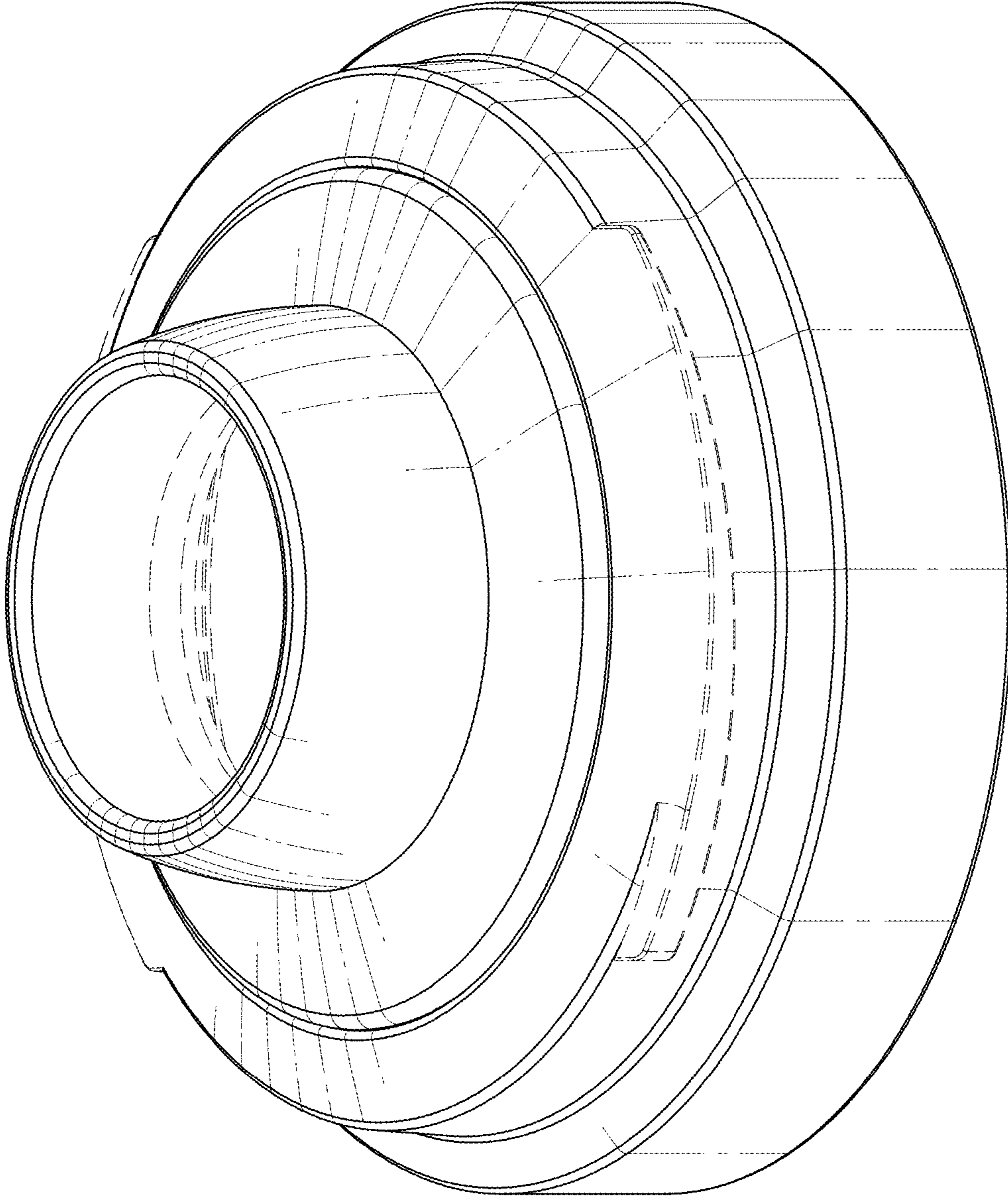


FIG. 3

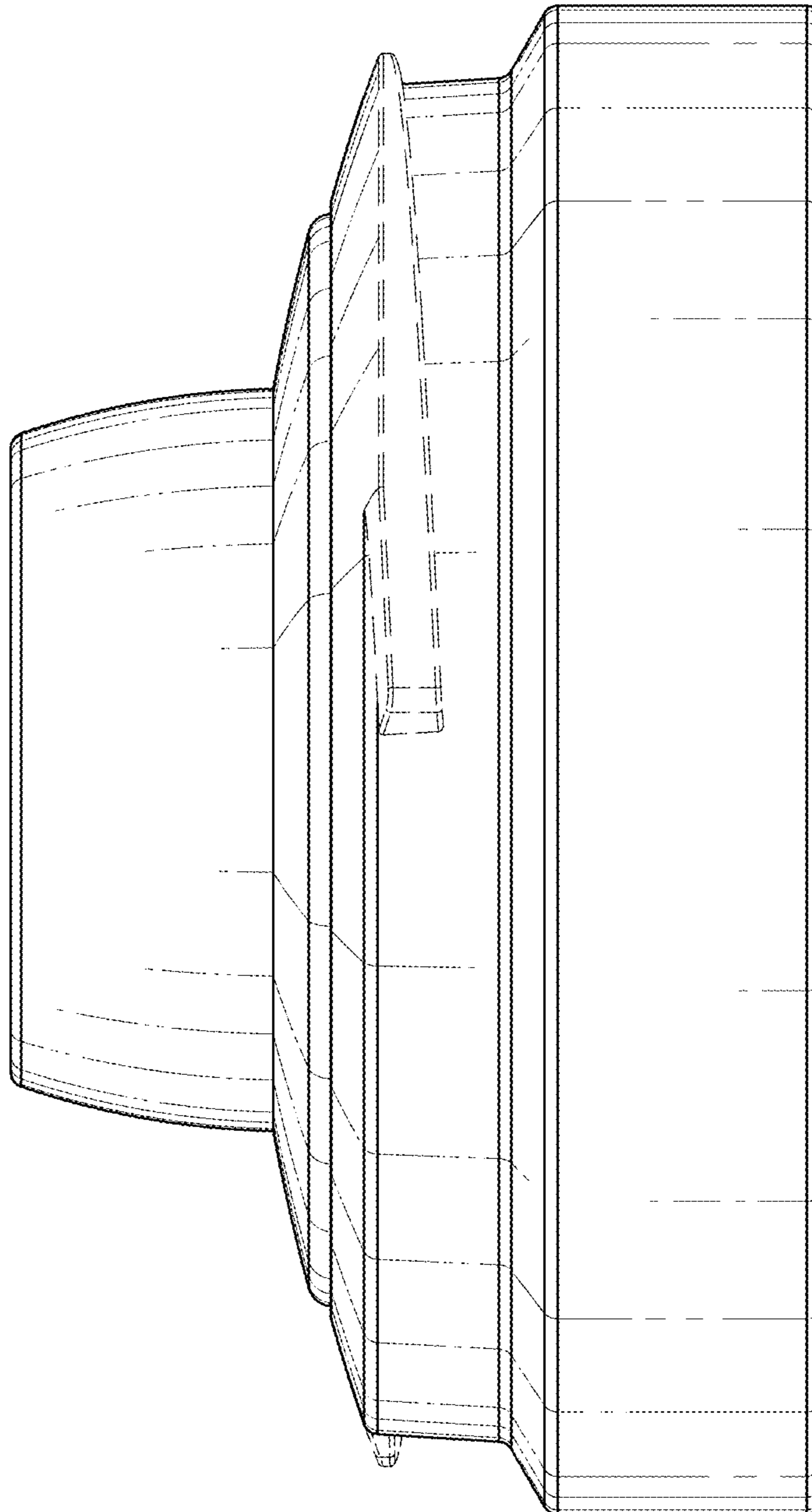


FIG. 4

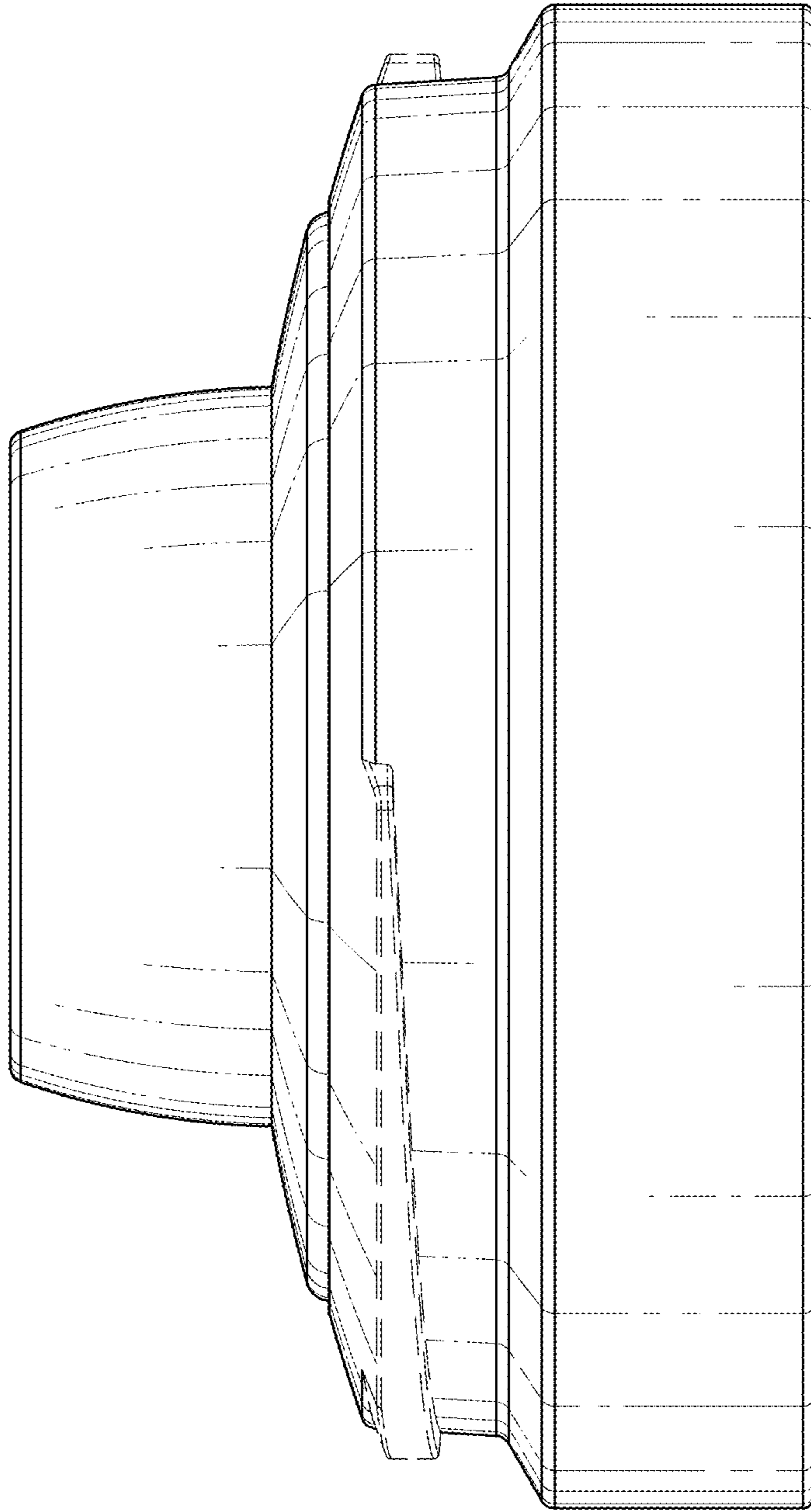


FIG. 5

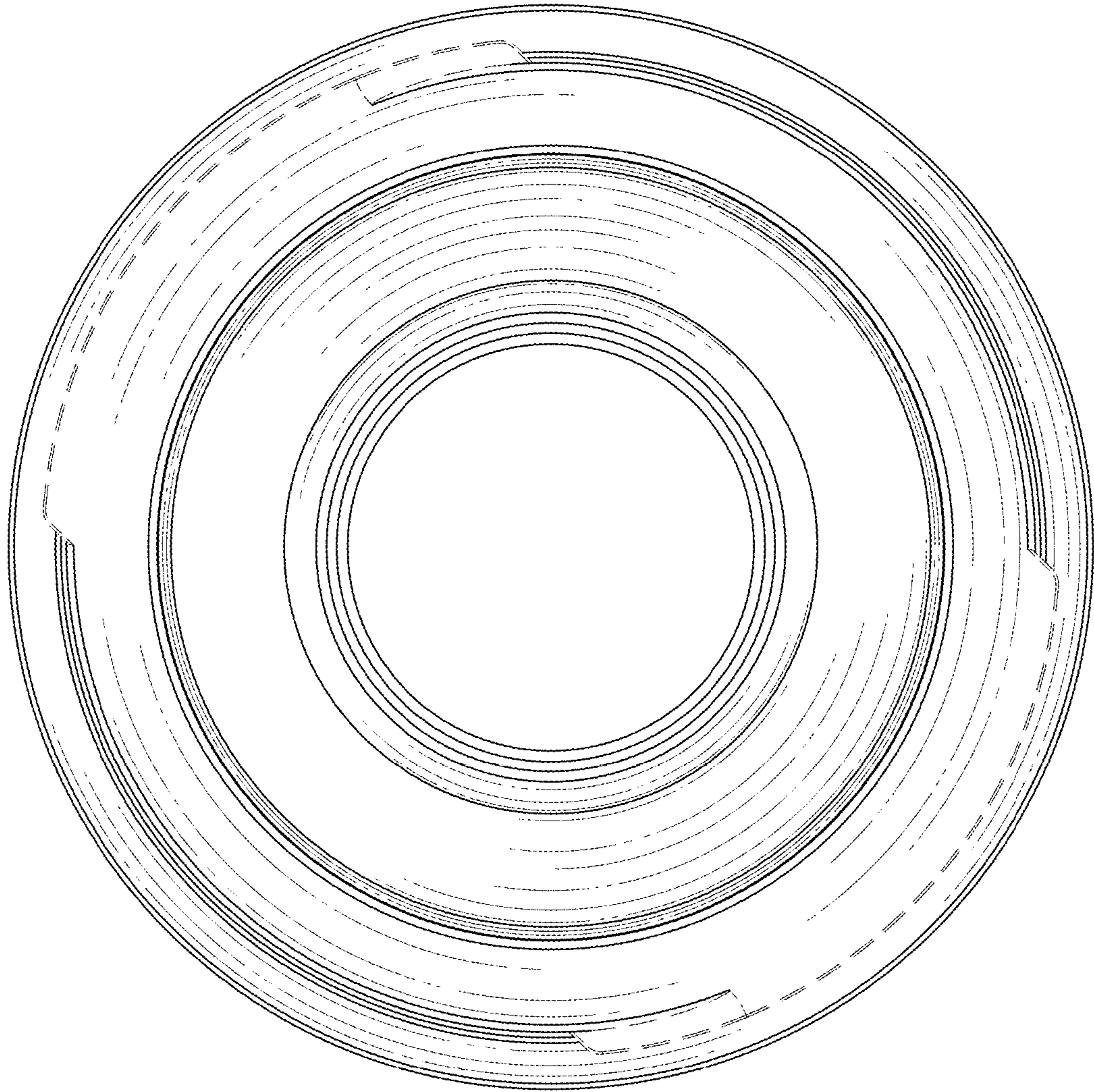


FIG. 6

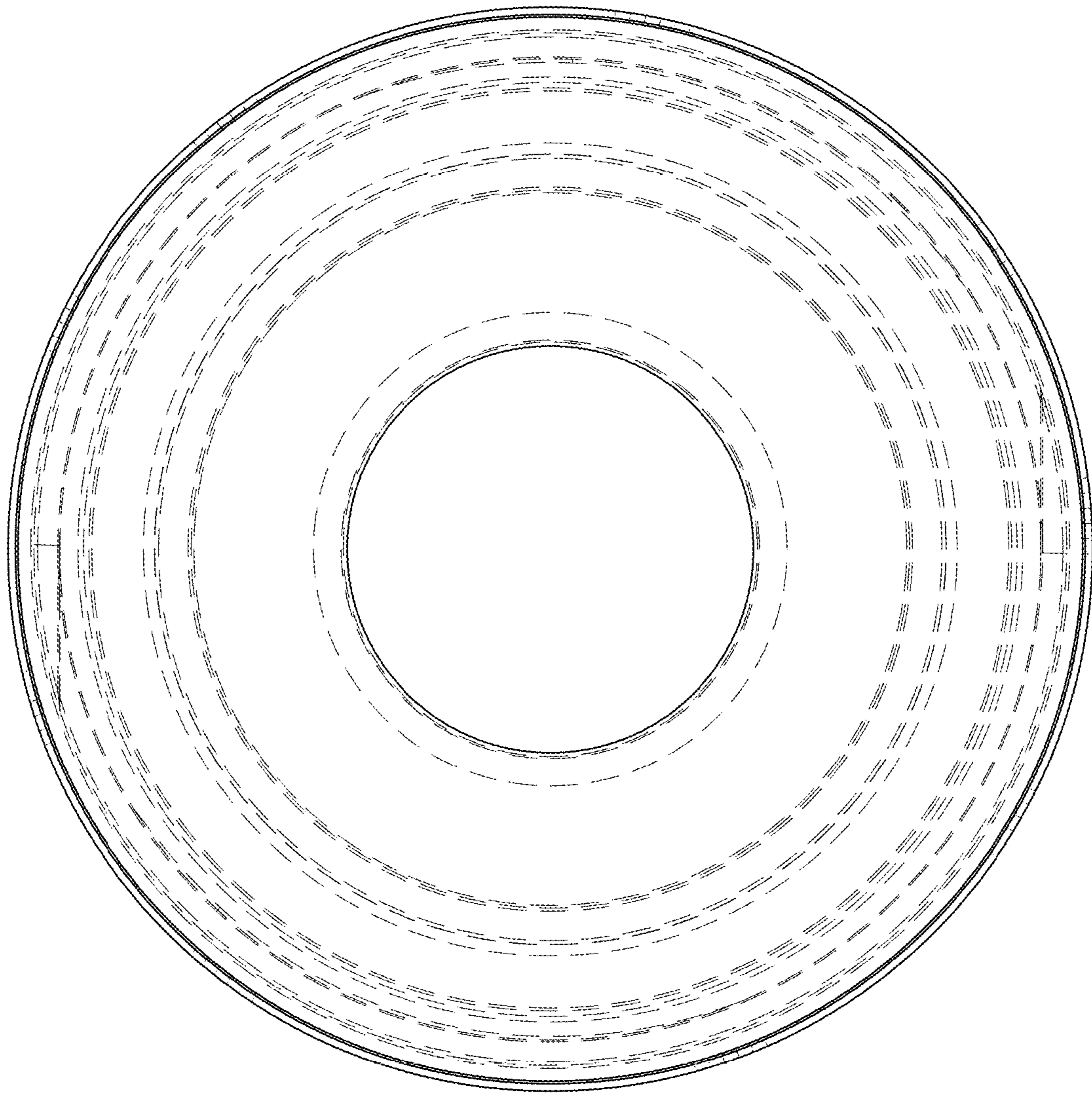


FIG. 7