



US00D778723S

(12) **United States Design Patent**  
**Valenzuela et al.**

(10) **Patent No.:** **US D778,723 S**

(45) **Date of Patent:** **\*\* Feb. 14, 2017**

- (54) **BLOOD LINES CARTON**
- (71) Applicant: **Fresenius Medical Care Holdings, Inc.**, Waltham, MA (US)
- (72) Inventors: **Francisco Valenzuela**, Tamaulipas (MX); **Irving Hernandez**, Rio Bravo (MX)
- (73) Assignee: **Fresenius Medical Care Holdings, Inc.**, Waltham, MA (US)
- (\*\*) Term: **15 Years**
- (21) Appl. No.: **29/540,631**
- (22) Filed: **Sep. 25, 2015**
- (51) **LOC (10) Cl.** ..... **09-03**
- (52) **U.S. Cl.**  
USPC ..... **D9/433**
- (58) **Field of Classification Search**  
USPC ..... 1/430, 414, 432, 524, 516; D9/430, 432, D9/433, 431, 756, 426, 725, 425, 242, D9/761, 418, 416, 420, 737; D7/543, 545, D7/602, 552.2, 538, 553.1, 553.2, 555, D7/541; 229/112, 120.17; D6/518  
CPC ..... B65D 1/00; B65D 5/4291; B65D 5/38; B65D 1/225; B65D 5/002; A47F 5/11  
See application file for complete search history.

(56) **References Cited**

**U.S. PATENT DOCUMENTS**

- 909,664 A \* 1/1909 Porter ..... B65D 5/305  
229/117.16
- 3,825,174 A \* 7/1974 Booth, Jr. .... B65D 5/48008  
229/120.17
- 3,921,891 A \* 11/1975 Gorham ..... B65D 5/48034  
229/120.26
- 4,082,214 A \* 4/1978 Baker ..... B65D 5/441  
229/120
- 4,347,967 A \* 9/1982 Loudermilk, Jr. . B65D 5/48008  
229/120.17

- 4,376,508 A \* 3/1983 Gardner ..... B65D 5/48008  
229/120.17
  - 4,574,996 A \* 3/1986 Brian ..... B65D 5/48008  
229/117.16
  - 4,607,785 A \* 8/1986 Croley ..... B65D 5/3642  
229/108
  - D290,444 S \* 6/1987 Osborne ..... D9/423
- (Continued)

*Primary Examiner* — Cynthia Underwood

(74) *Attorney, Agent, or Firm* — Fish & Richardson P.C.

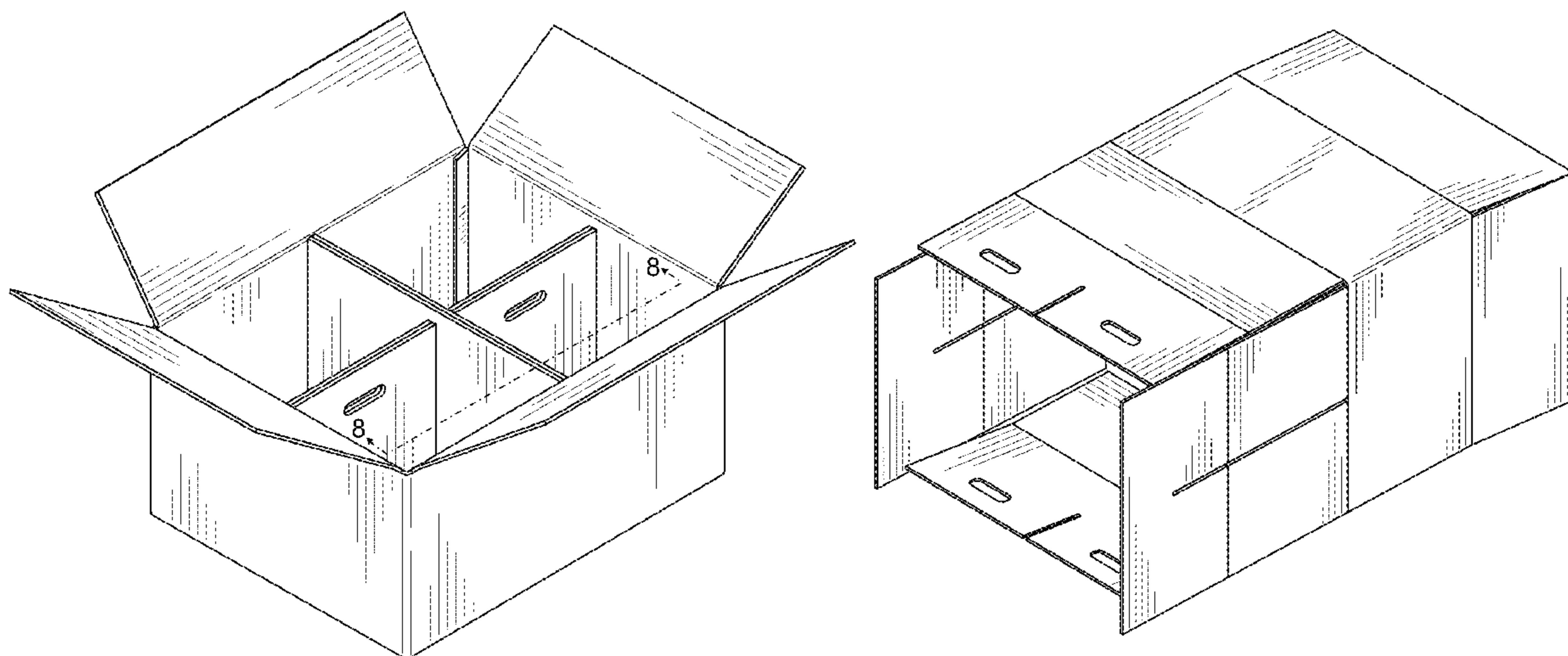
(57) **CLAIM**

The ornamental design for a blood lines carton, substantially as shown and described.

**DESCRIPTION**

FIG. 1 is a perspective view of the blood lines carton.  
 FIG. 2 is a front view thereof.  
 FIG. 3 is a back view thereof.  
 FIG. 4 is right side view thereof.  
 FIG. 5 is left side view thereof.  
 FIG. 6 is top view thereof.  
 FIG. 7 is bottom view thereof.  
 FIG. 8 is an enlarged, broken away view taken from lines 8-8 on FIG. 1.  
 FIG. 9 is a perspective view of the blood lines carton in a collapsed form.  
 FIG. 10 is a bottom perspective view showing the carton partially folded and with the bottom unfolded.  
 FIG. 11 is a bottom perspective view showing the carton partially folded and with two flaps of the bottom in the folded position.  
 FIG. 12 is a bottom perspective view showing the carton partially folded and with three flaps of the bottom in the folded position.  
 FIG. 13 is a bottom perspective view showing the carton with all flaps of the bottom in the folded position; and,  
 FIG. 14 is an open top perspective view.

**1 Claim, 11 Drawing Sheets**



(56)

**References Cited**

U.S. PATENT DOCUMENTS

4,944,405 A \* 7/1990 Buford ..... B65D 5/541  
229/120.04  
D329,375 S \* 9/1992 Bergman ..... D9/433  
D407,013 S \* 3/1999 Armondo ..... D9/760  
6,041,920 A \* 3/2000 Hart ..... B65D 71/0077  
206/175  
7,172,109 B2 2/2007 Kuentler et al.  
7,255,262 B2 8/2007 Duyst  
7,344,043 B2 \* 3/2008 Nyeboer ..... B31B 11/00  
220/507  
7,543,734 B2 6/2009 Wang  
D596,025 S \* 7/2009 Mordechai ..... D9/432  
7,942,310 B2 \* 5/2011 Dominski ..... B65D 5/48008  
220/507  
D756,560 S \* 5/2016 Ghiotti ..... D27/186  
D764,315 S \* 8/2016 Rachocki ..... D9/432  
9,452,584 B2 \* 9/2016 Vroon ..... B31D 5/0013

\* cited by examiner

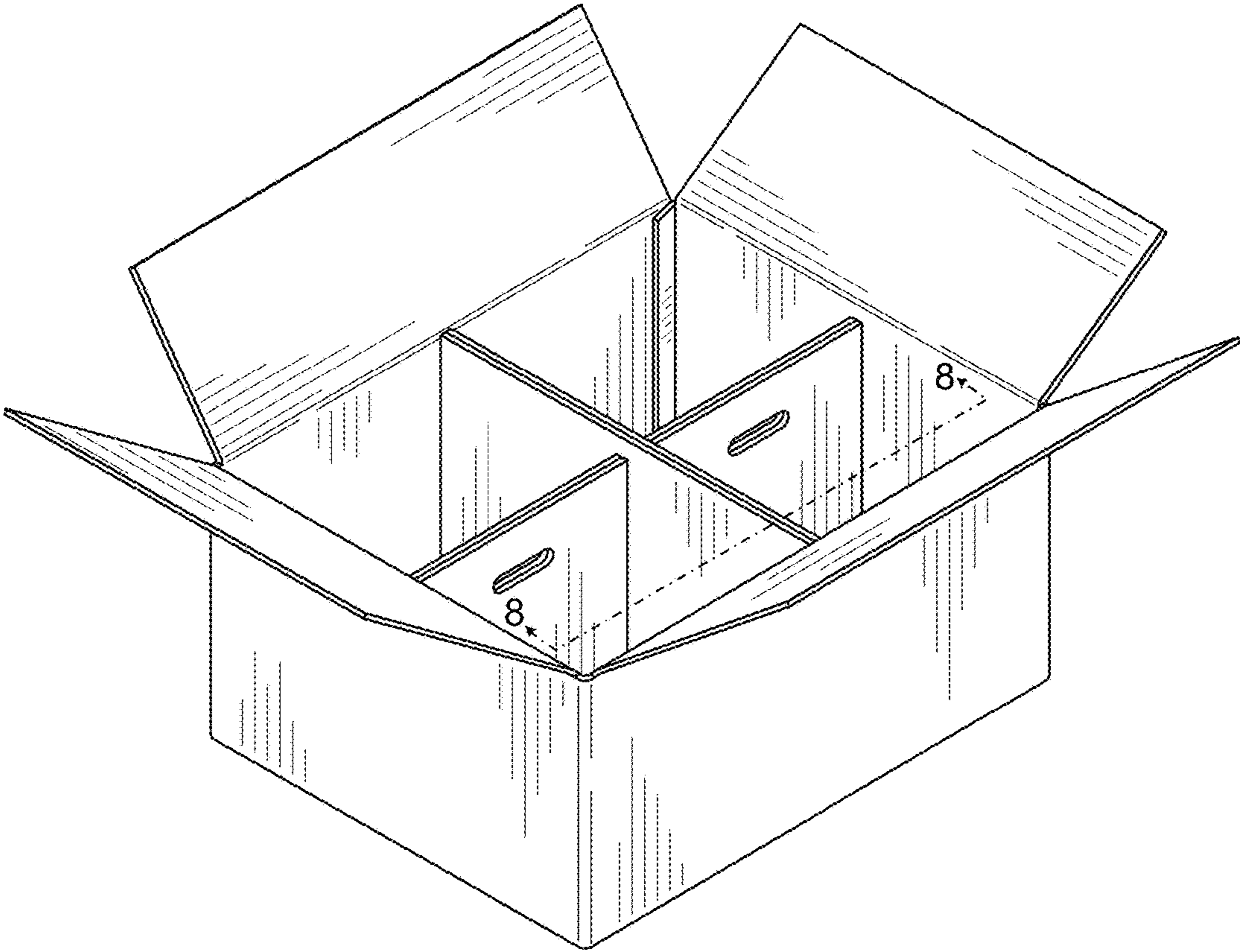


FIG. 1

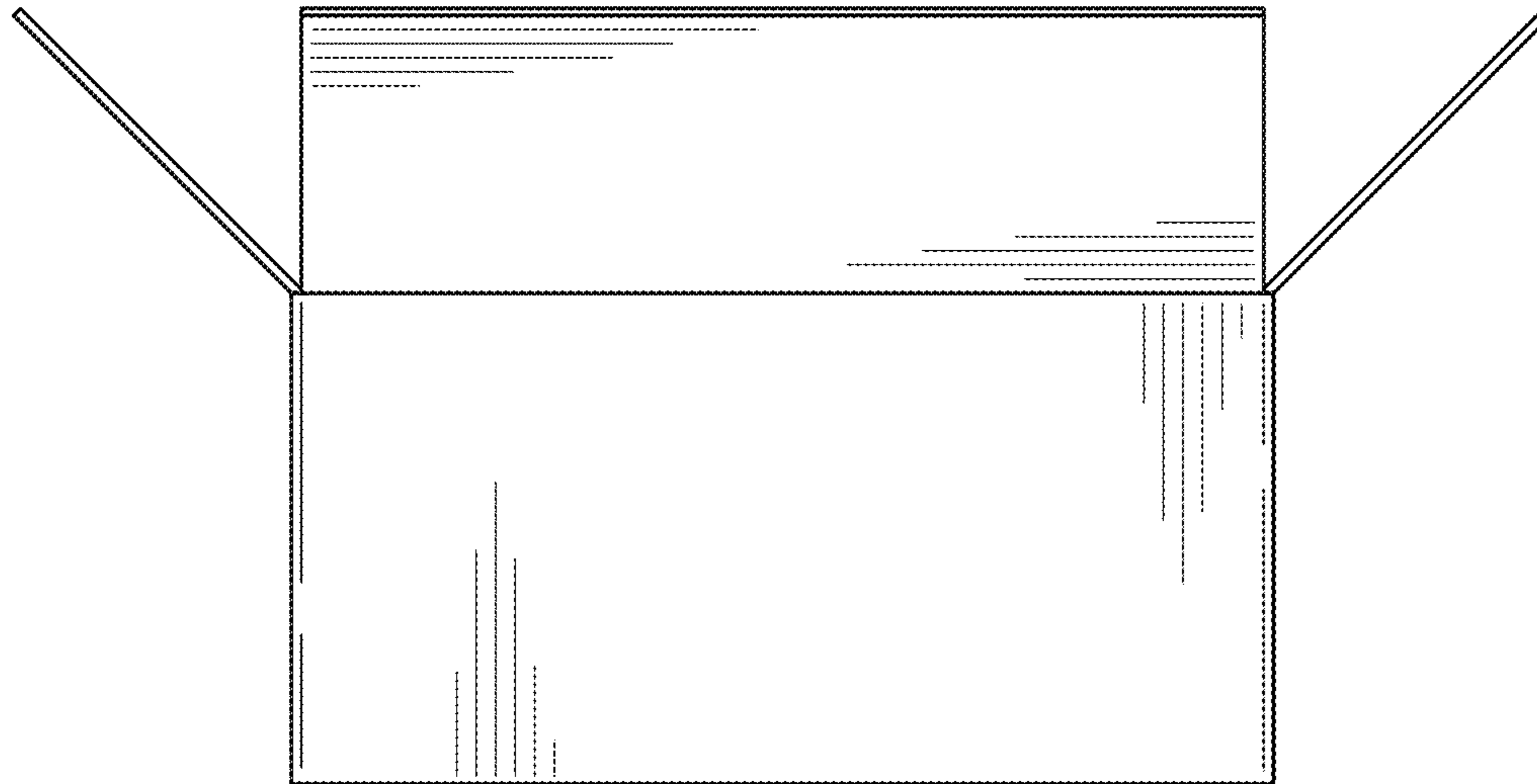


FIG. 2

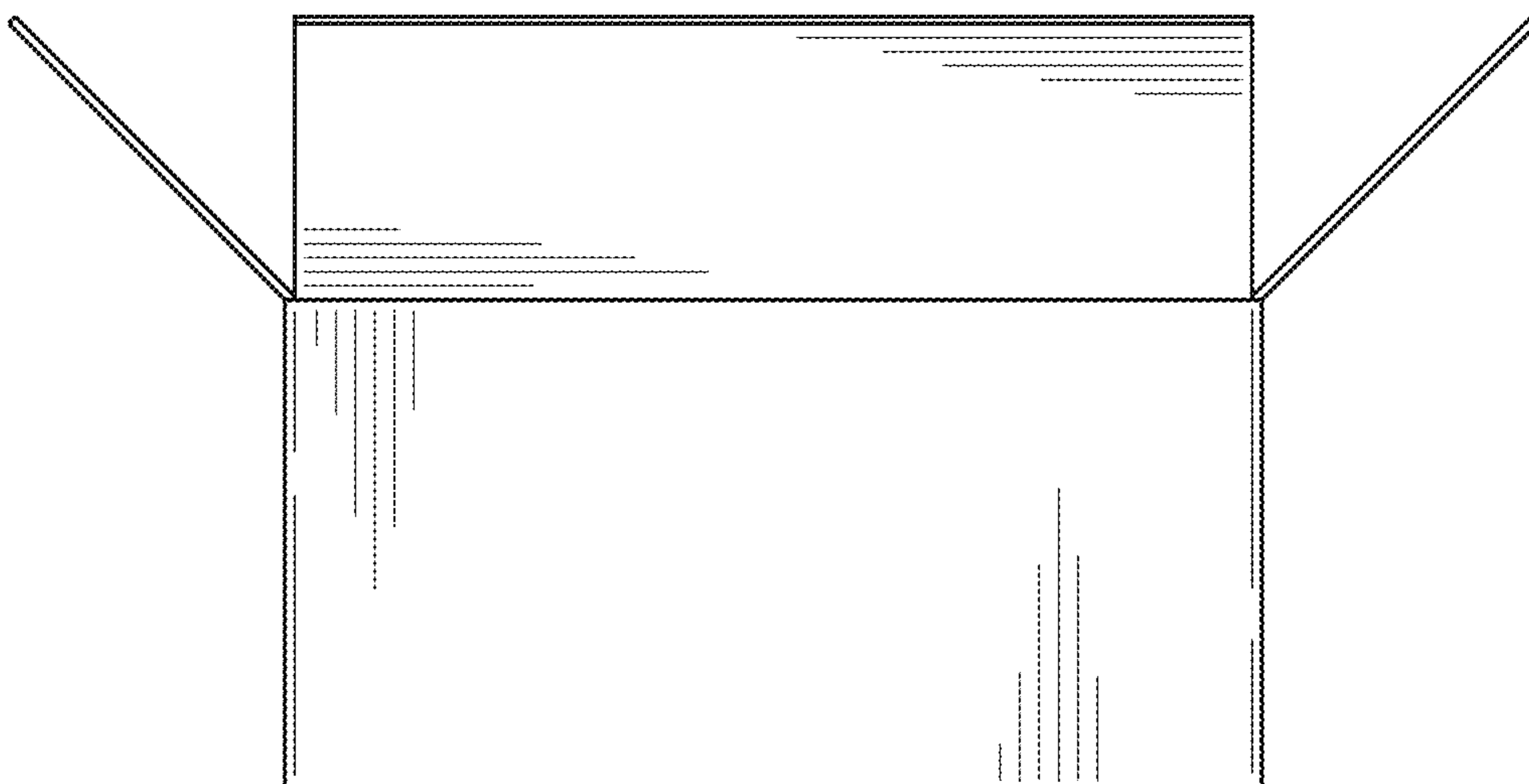


FIG. 3

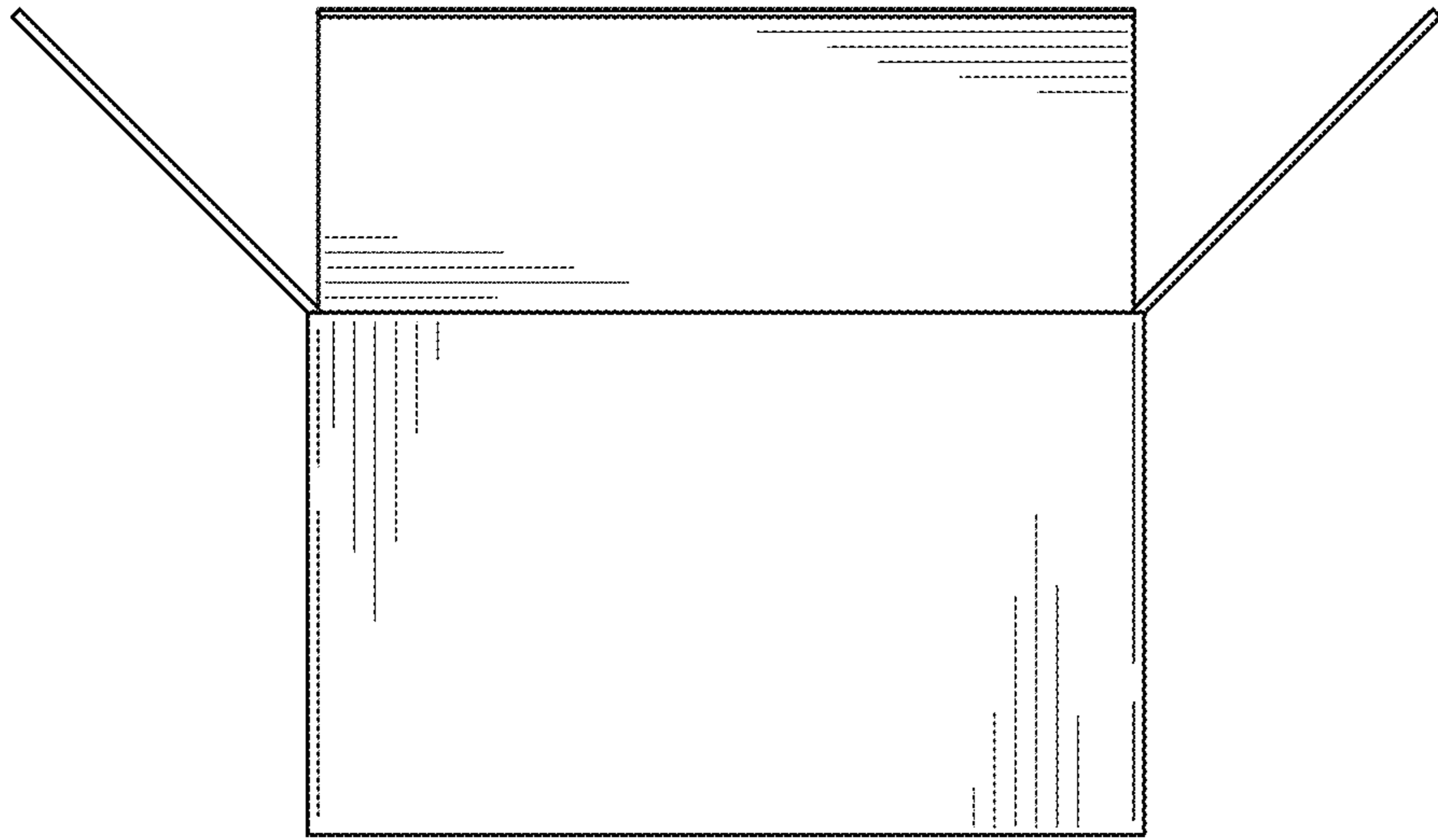


FIG. 4

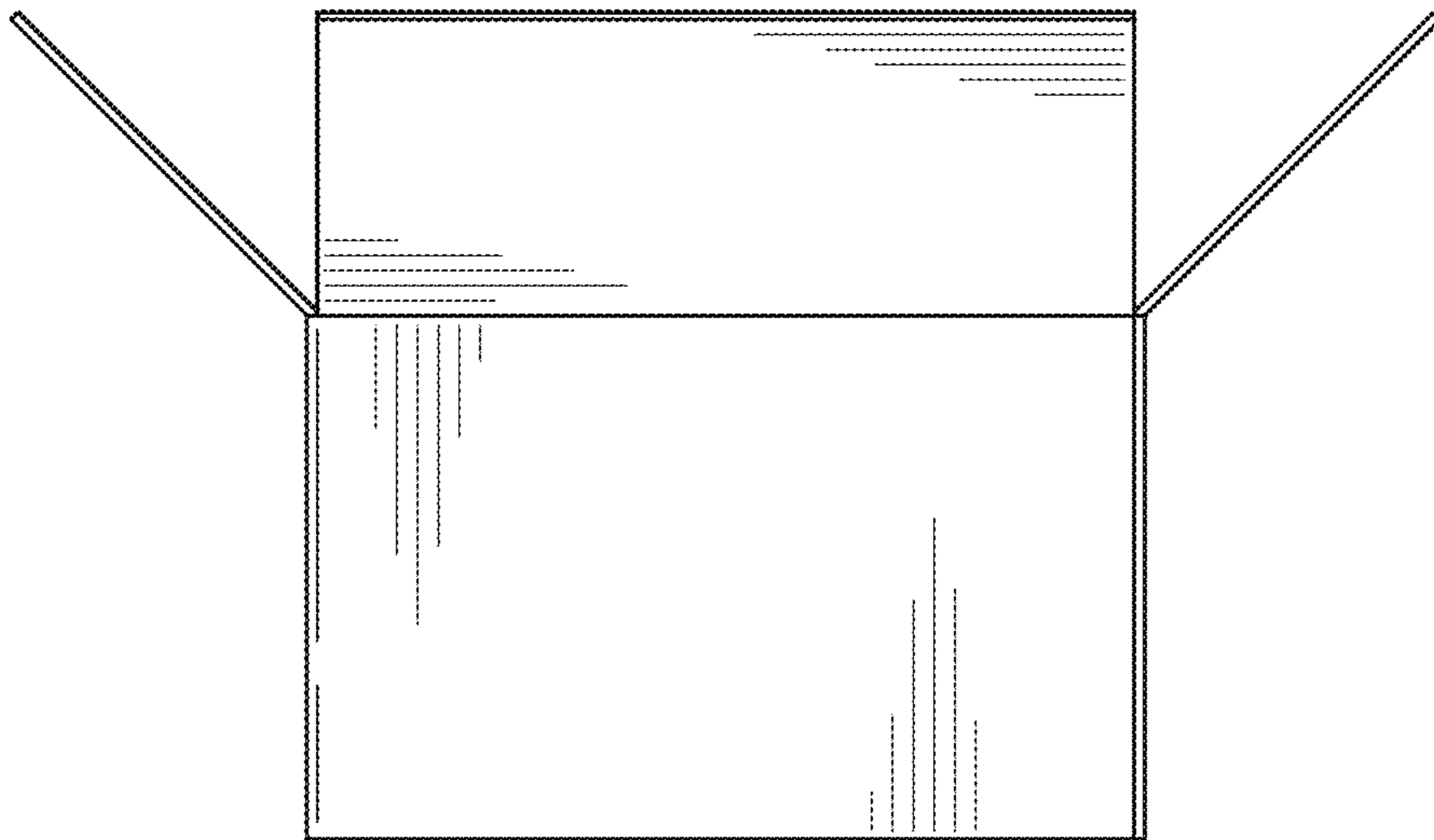


FIG. 5

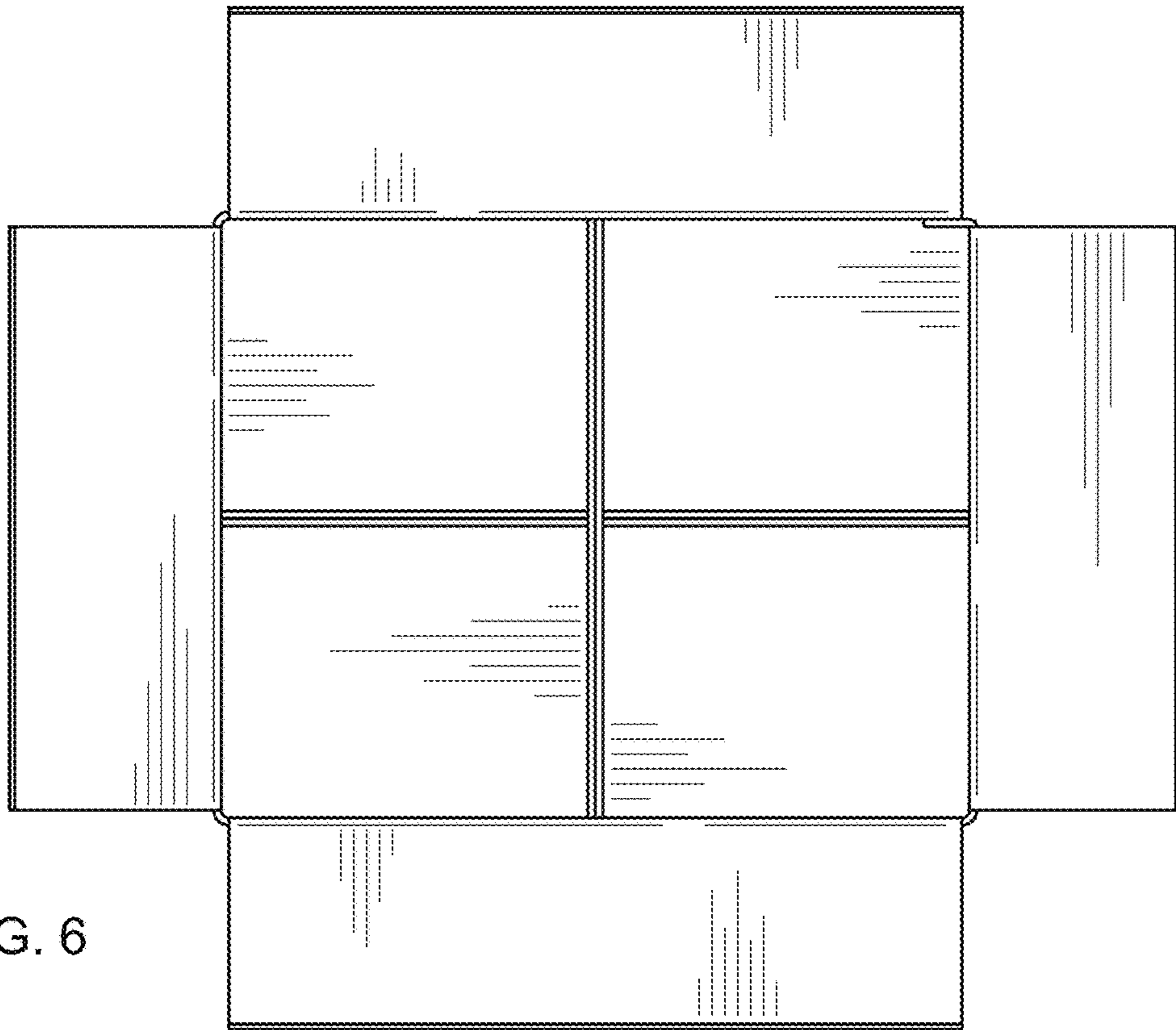


FIG. 6

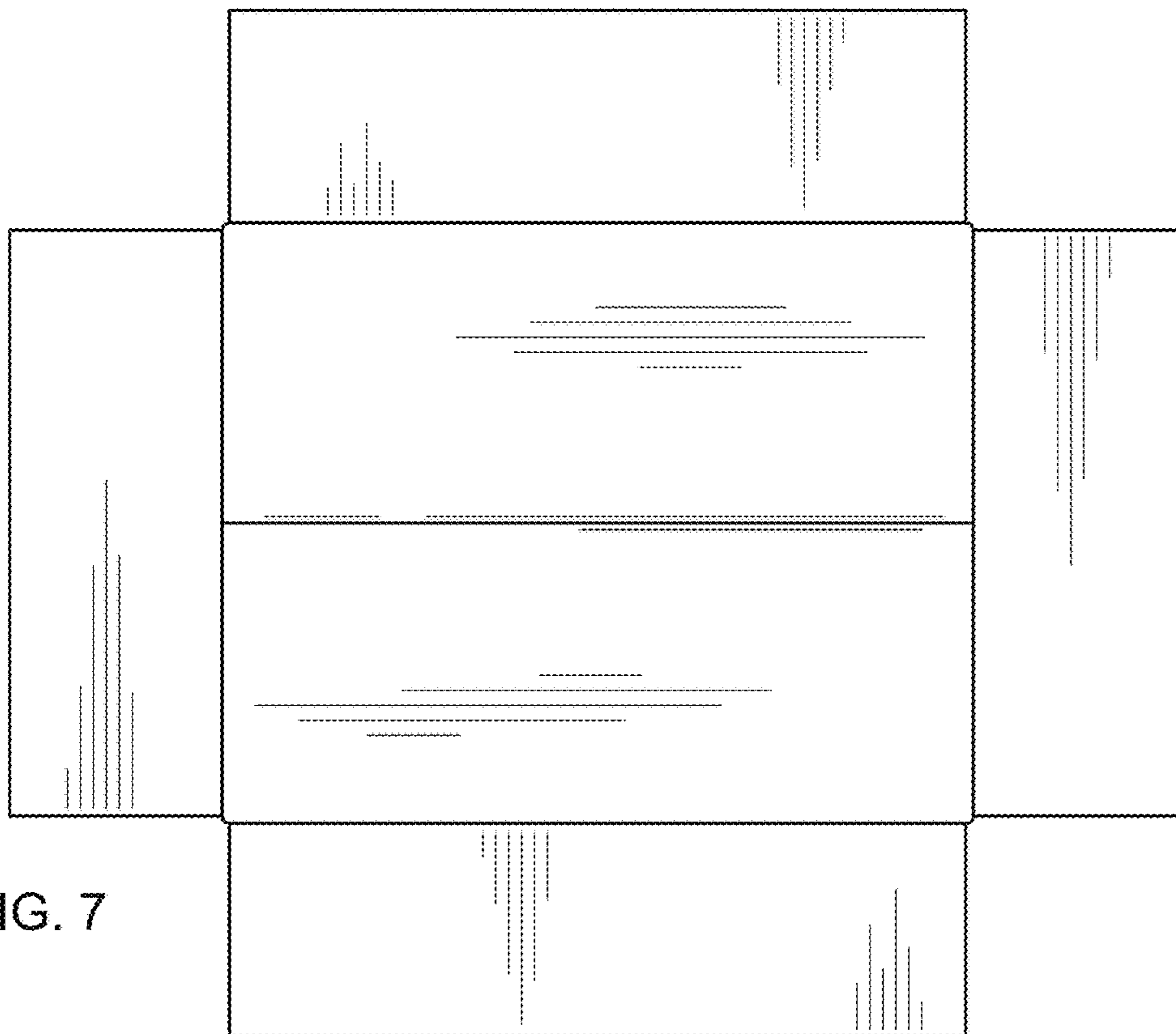


FIG. 7

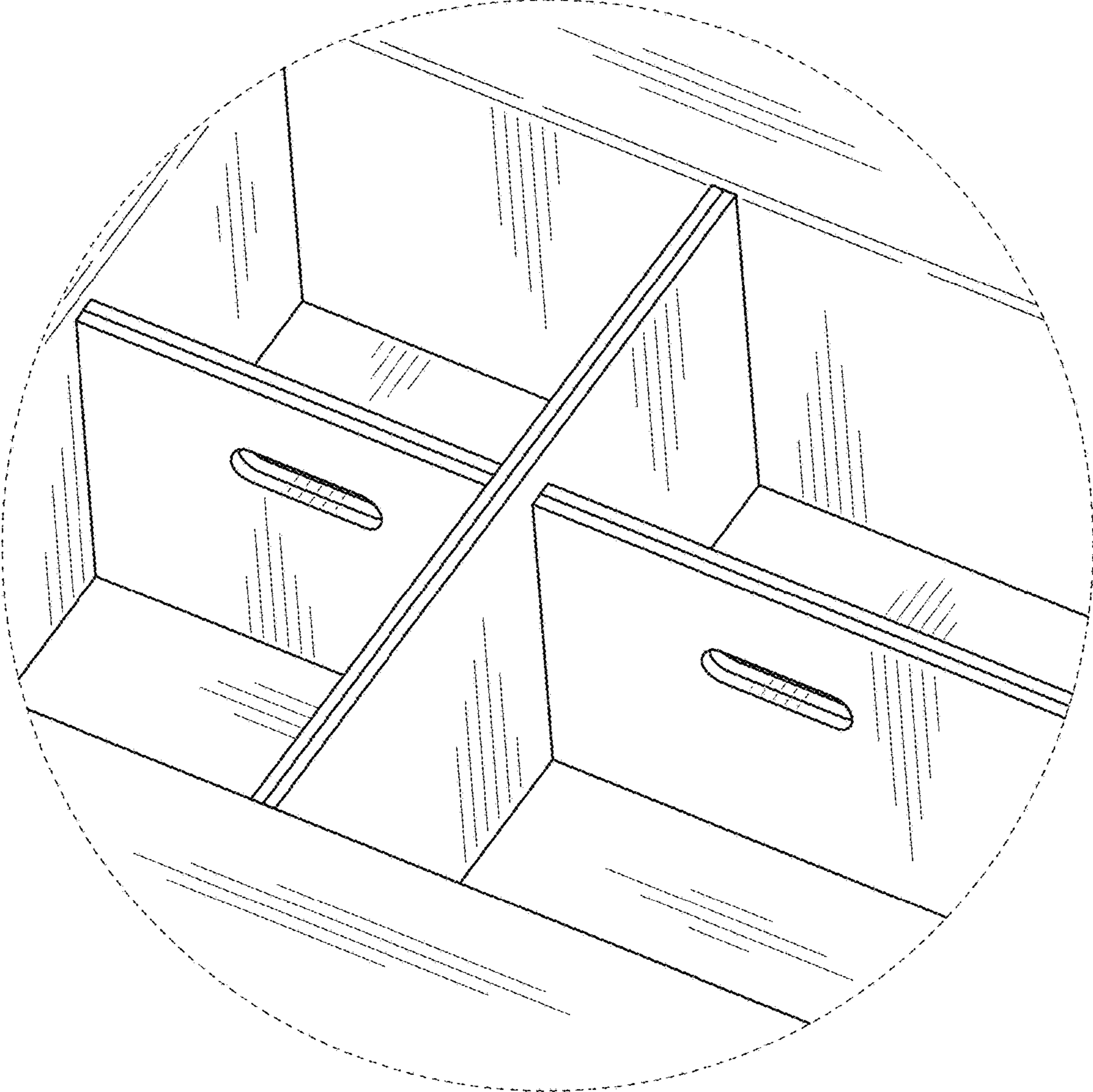


FIG. 8

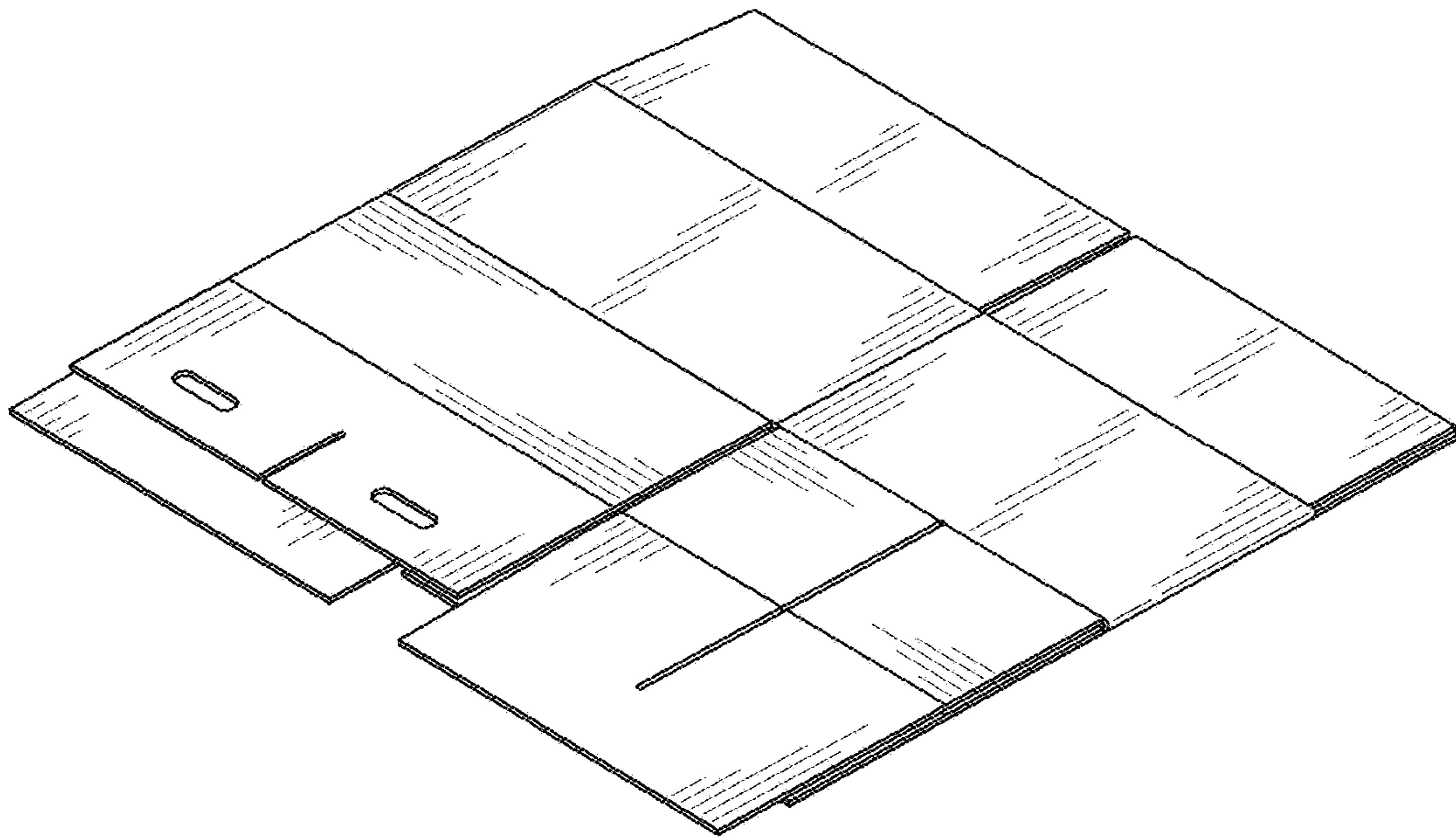


FIG. 9



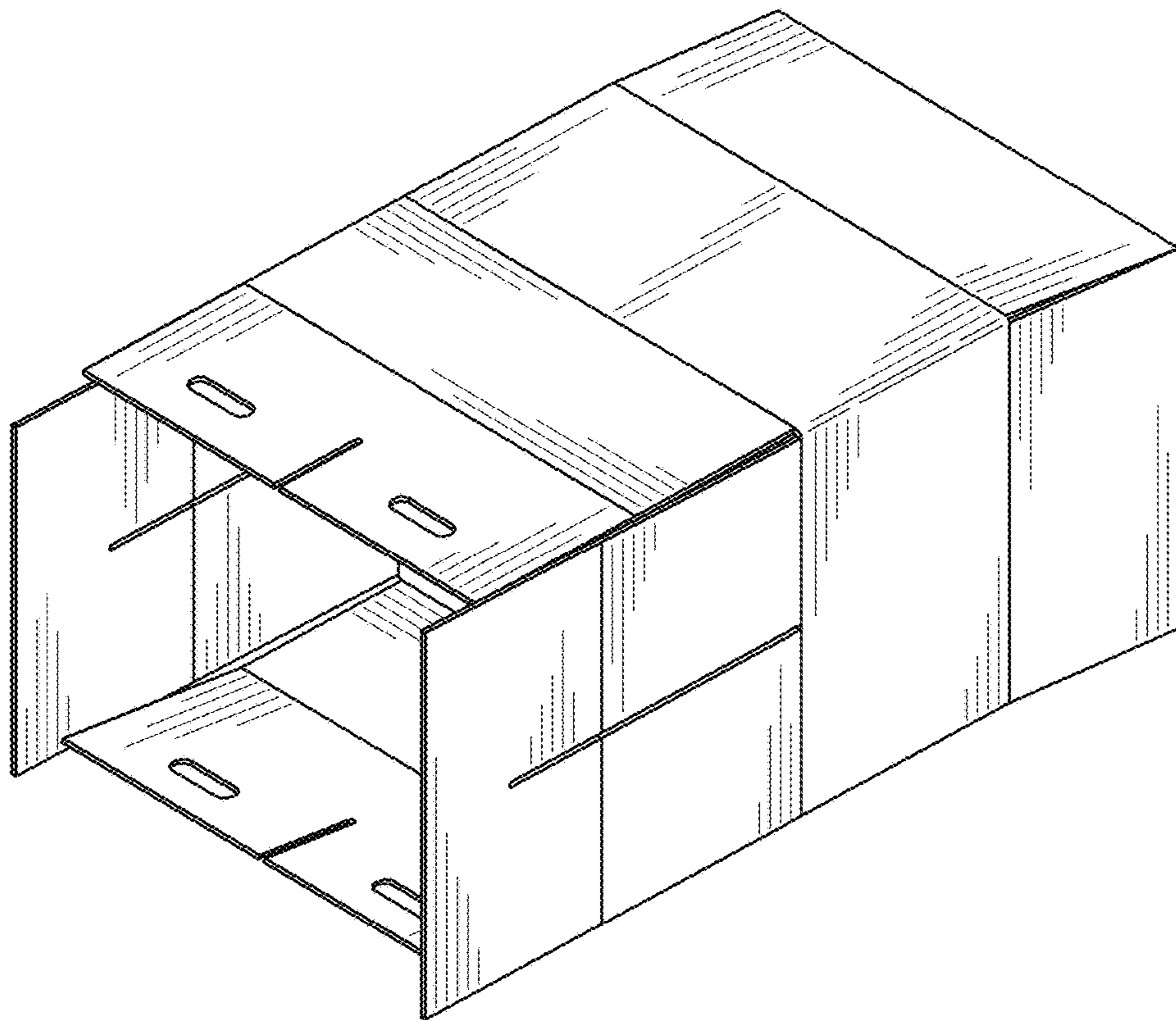


FIG. 10

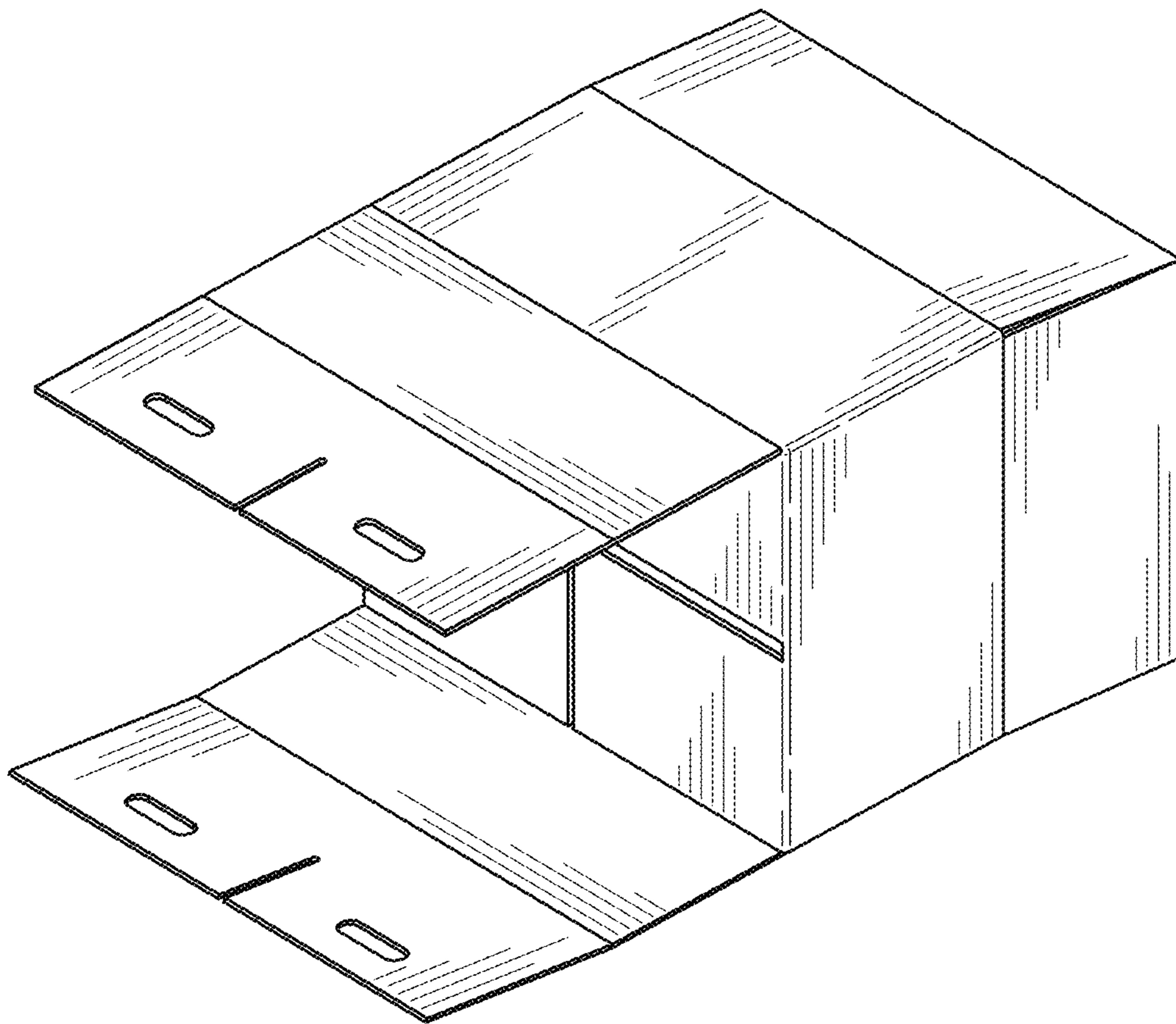


FIG. 11

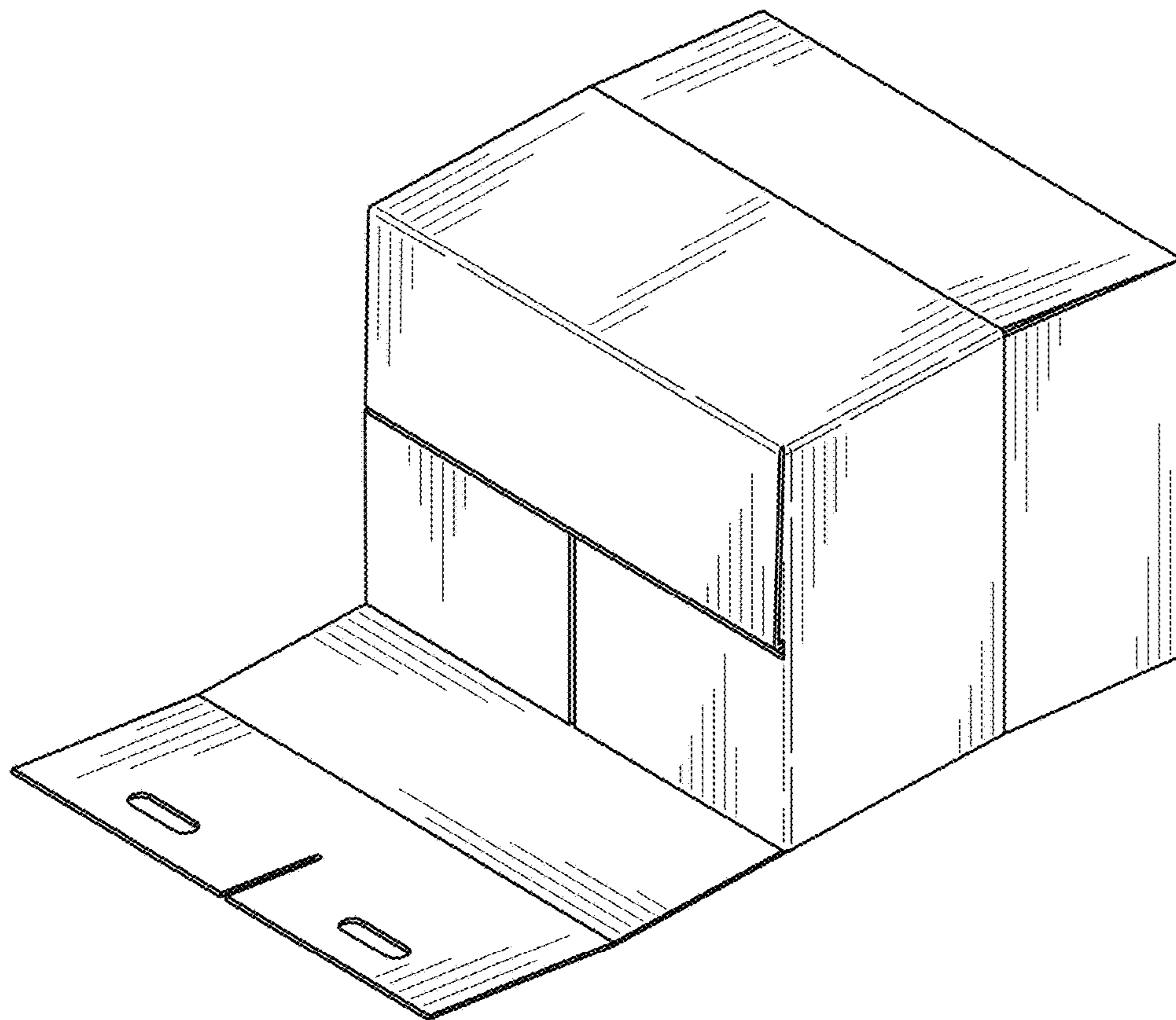


FIG. 12

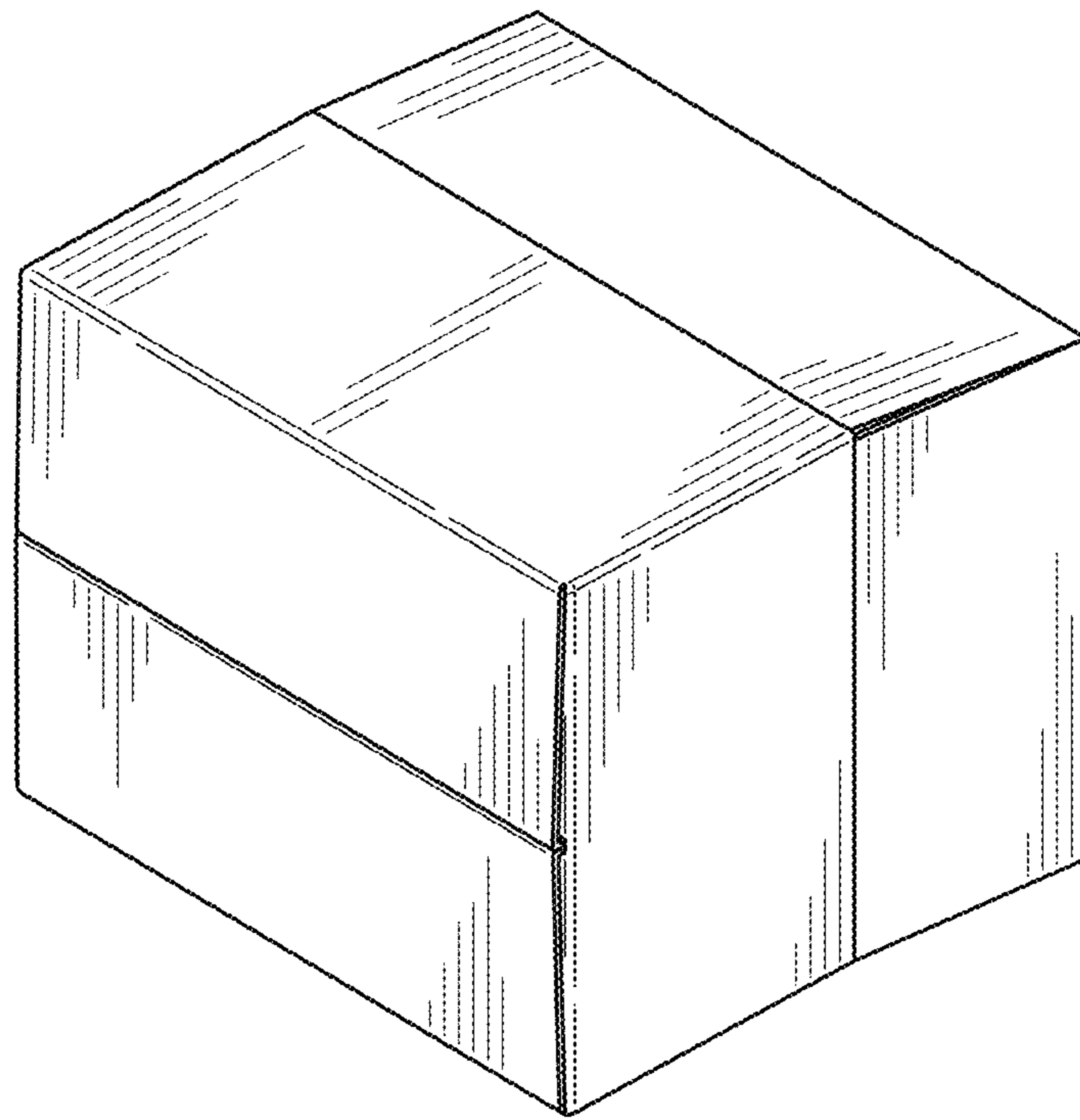


FIG. 13

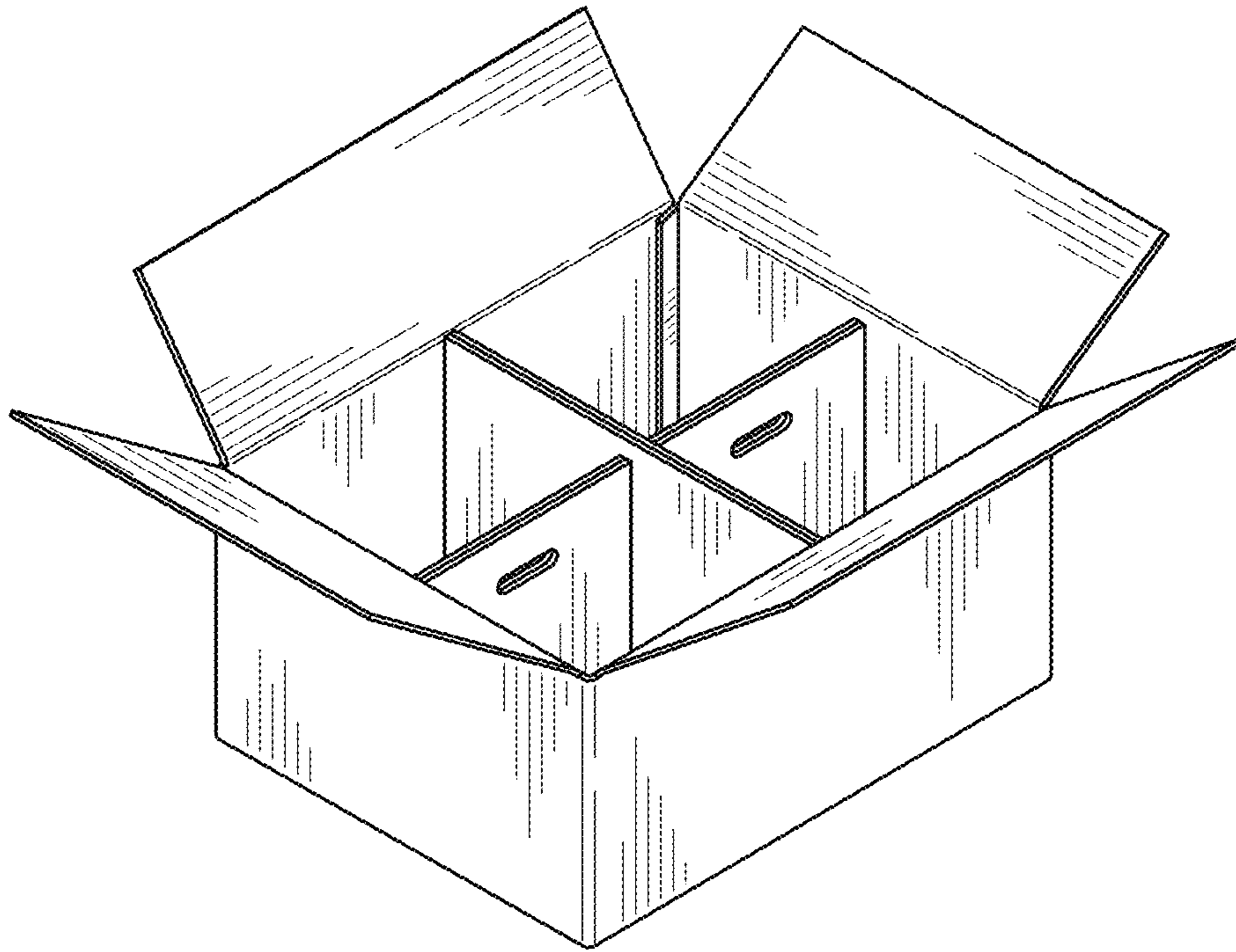


FIG. 14