



US00D778722S

(12) **United States Design Patent** (10) **Patent No.:** **US D778,722 S**  
**Strachan** (45) **Date of Patent:** **\*\* Feb. 14, 2017**

(54) **FOOD TRAY**  
(71) Applicant: **First Quality Packaging Solutions, LLC**, Great Neck, NY (US)  
(72) Inventor: **Mark Strachan**, Jupiter, FL (US)  
(73) Assignee: **First Quality Packaging Solutions, LLC**, Great Neck, NY (US)  
(\*\*) Term: **15 Years**  
(21) Appl. No.: **29/544,714**  
(22) Filed: **Nov. 5, 2015**  
(51) **LOC (10) Cl.** ..... **09-03**  
(52) **U.S. Cl.**  
USPC ..... **D9/432**  
(58) **Field of Classification Search**  
USPC ..... D9/430, 432, 433, 431, 756, 426, 725, D9/425, 242, 761; D7/543, 545, 602, D7/552.2, 538, 553.1, 553.2, 555, 541; 229/112  
CPC ..... B65D 1/00; B65D 5/4291; B65D 5/38; B65D 1/225; B65D 5/002; A47F 5/11  
See application file for complete search history.

D530,625 S \* 10/2006 Darin ..... D7/602  
D553,490 S 10/2007 Yang  
D562,154 S 2/2008 Pelletier et al.  
D570,681 S 6/2008 Hussain et al.  
D595,155 S \* 6/2009 Larson ..... D9/425  
D596,903 S \* 7/2009 Willis ..... D7/553.2  
D608,153 S 1/2010 Furlong  
7,685,677 B2 3/2010 Garg et al.  
D633,341 S \* 3/2011 Smyers ..... D7/553.3  
D634,971 S 3/2011 Petlak  
D643,710 S \* 8/2011 Samartgis ..... D9/424  
D643,712 S \* 8/2011 Samartgis ..... D9/424  
D645,708 S \* 9/2011 Stamper ..... D7/602  
D659,902 S \* 5/2012 Mehdizadeh ..... D28/8.1  
D666,058 S \* 8/2012 Liang ..... D7/541  
D675,919 S 2/2013 Krueger  
D678,051 S 3/2013 Krueger et al.  
D679,585 S 4/2013 Krueger  
D679,587 S \* 4/2013 Krueger ..... D9/432  
D691,901 S \* 10/2013 Epstein ..... D9/424  
D693,178 S 11/2013 Wilson

(Continued)

*Primary Examiner* — Cynthia Underwood  
(74) *Attorney, Agent, or Firm* — Amster, Rothstein & Ebenstein, LLP

(57) **CLAIM**

The ornamental design for a food tray, as shown and described.

**DESCRIPTION**

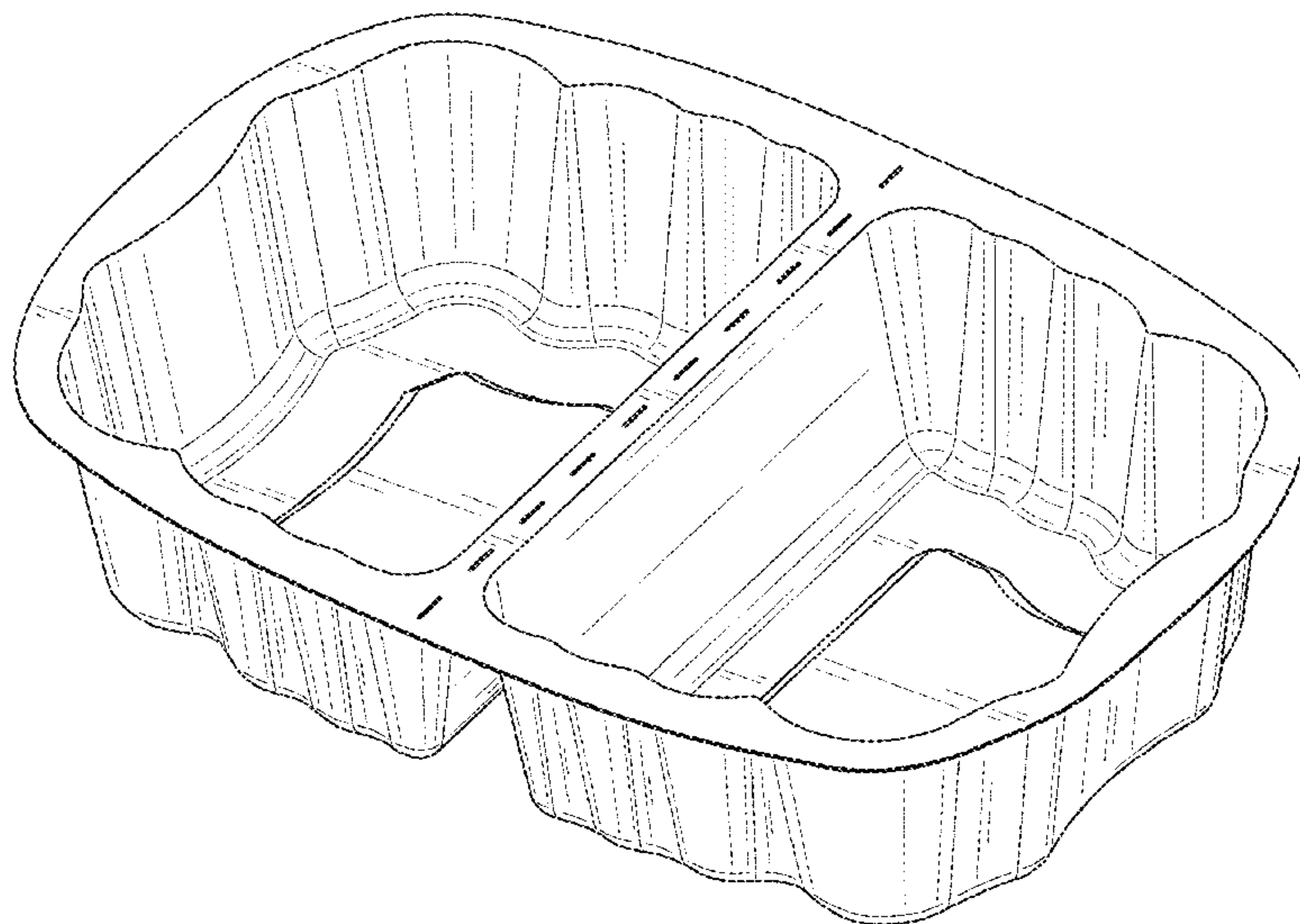
FIG. 1 is a perspective view of a new design for a food tray; FIG. 2 is a front view thereof, the back view being identical to the front view; FIG. 3 is a right side view thereof, the left side view being identical to the right side view; FIG. 4 is a top plan view thereof; and, FIG. 5 is a bottom plan view thereof. The broken lines represent environment that forms no part of the claim.

**1 Claim, 5 Drawing Sheets**

(56) **References Cited**

**U.S. PATENT DOCUMENTS**

D232,302 S \* 8/1974 Lazure ..... D9/761  
D235,498 S \* 6/1975 Day ..... D7/553.3  
D284,727 S 7/1986 Gerber  
D363,192 S \* 10/1995 Reeves ..... D7/553.3  
D372,170 S \* 7/1996 Ahern, Jr. .... D7/543  
D392,881 S 3/1998 Bulcher et al.  
D448,130 S \* 9/2001 Wagner ..... D32/53.1  
6,293,458 B1 9/2001 Sarnoff  
D461,123 S 8/2002 Hayes et al.  
D485,755 S 1/2004 Isler et al.  
D502,045 S 2/2005 Isler et al.  
D504,283 S 4/2005 Armer



(56)

**References Cited**

U.S. PATENT DOCUMENTS

D693,179	S	11/2013	Vujea	
D693,180	S *	11/2013	Peterson .....	D7/555
D694,103	S	11/2013	Durdon et al.	
D696,938	S	1/2014	BeVier	
8,701,923	B2	4/2014	Anhalt et al.	
D736,616	S *	8/2015	Suen .....	D9/425
D741,166	S *	10/2015	Tyberghein .....	D9/425
D749,412	S *	2/2016	Hu .....	D9/426
D750,973	S *	3/2016	McSweeney .....	D9/756
D756,769	S	5/2016	Tuchrelo	
2010/0183775	A1 *	7/2010	Cudnohoske .....	B65D 1/36 426/110

\* cited by examiner

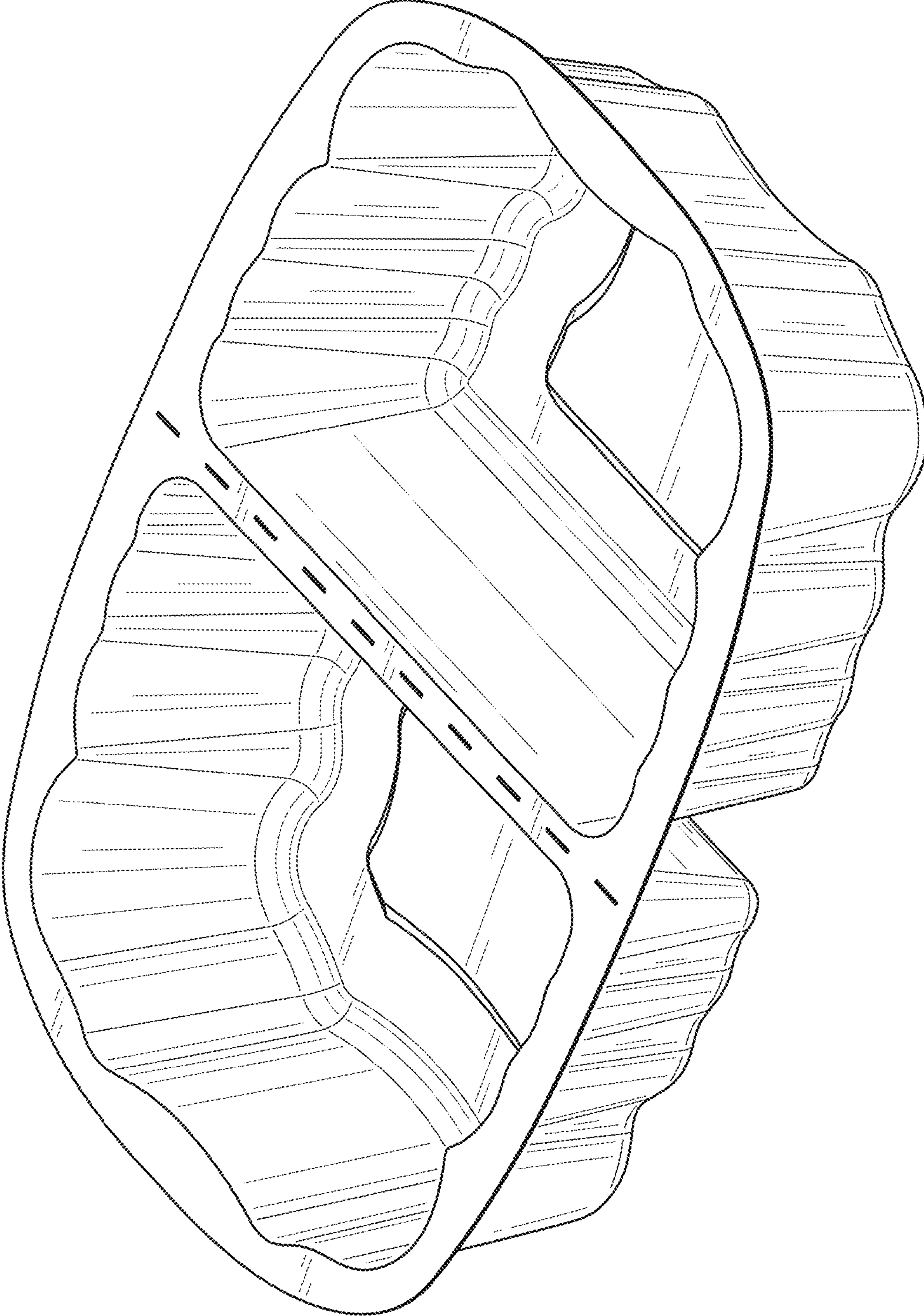


FIG. 1

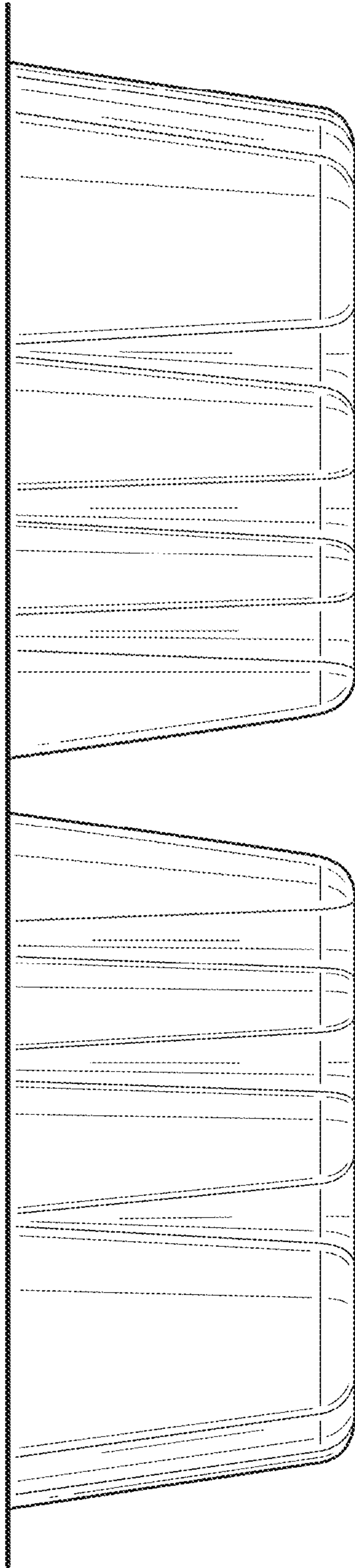


FIG. 2



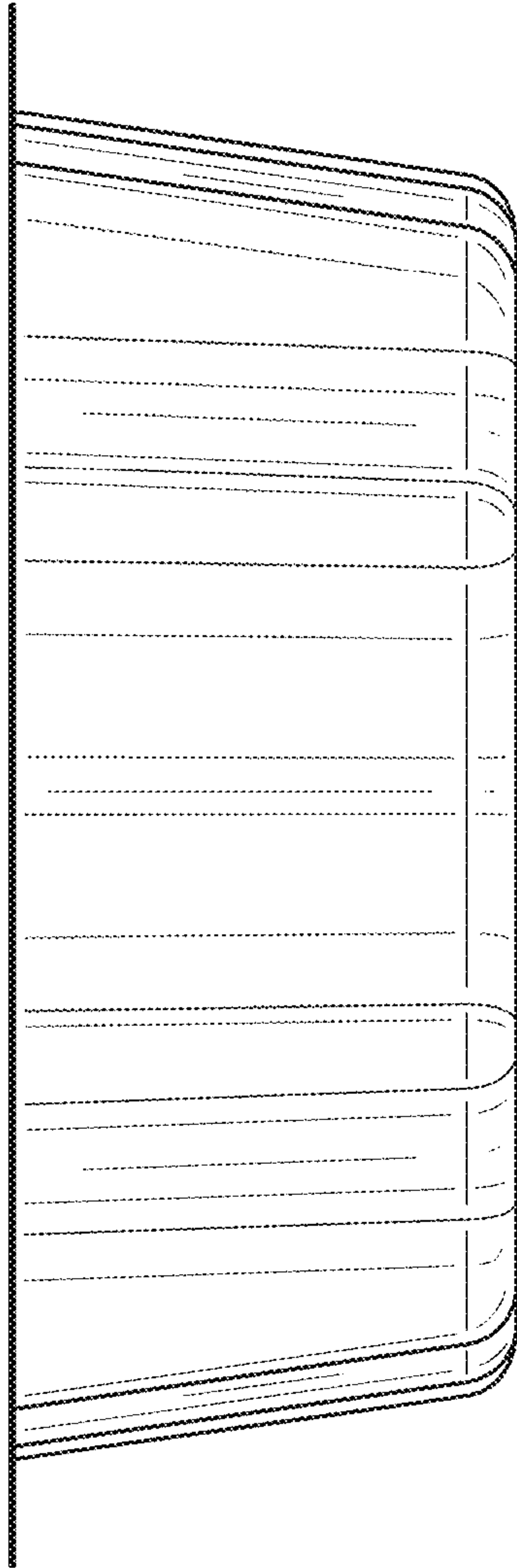


FIG. 3

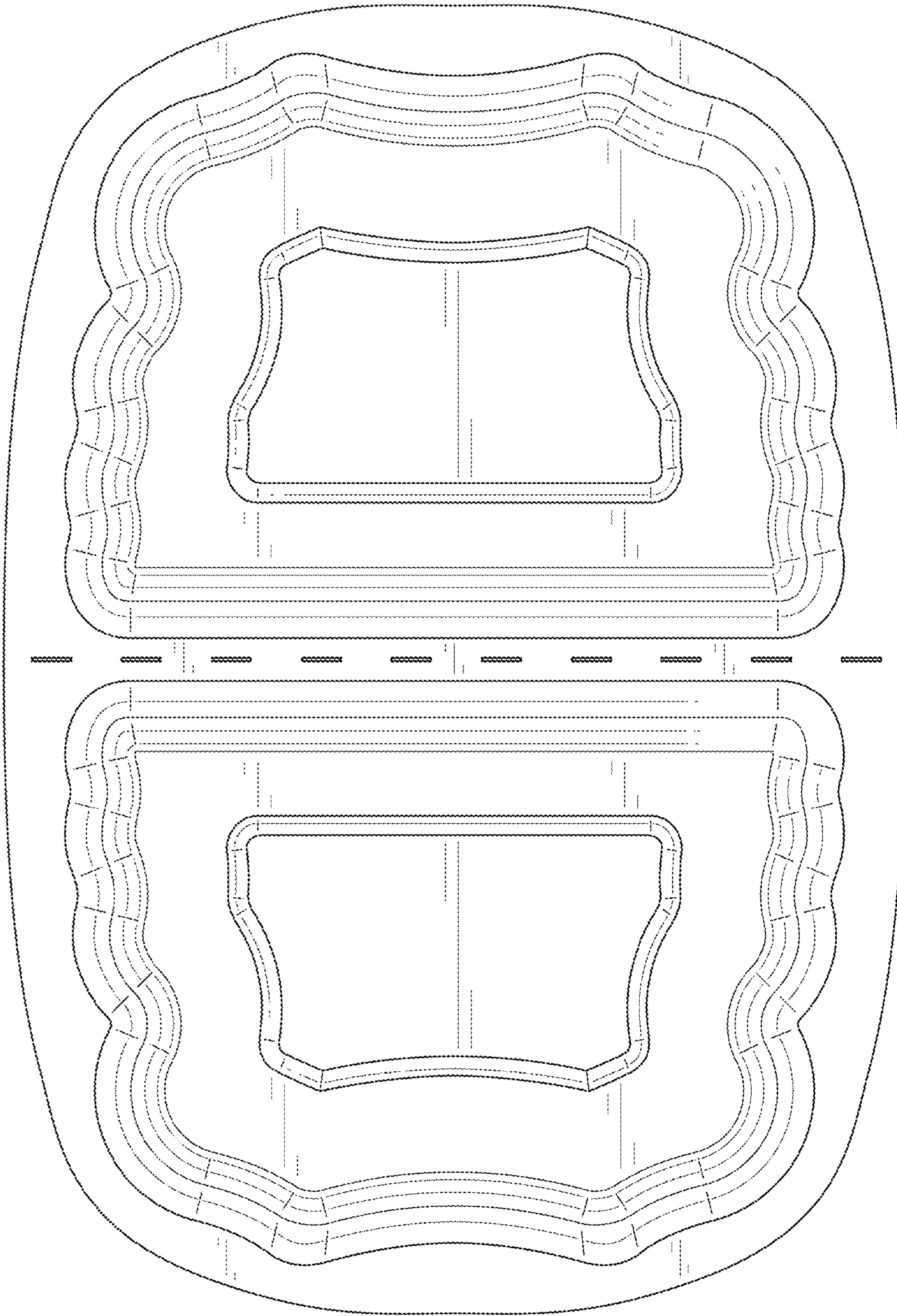


FIG. 4

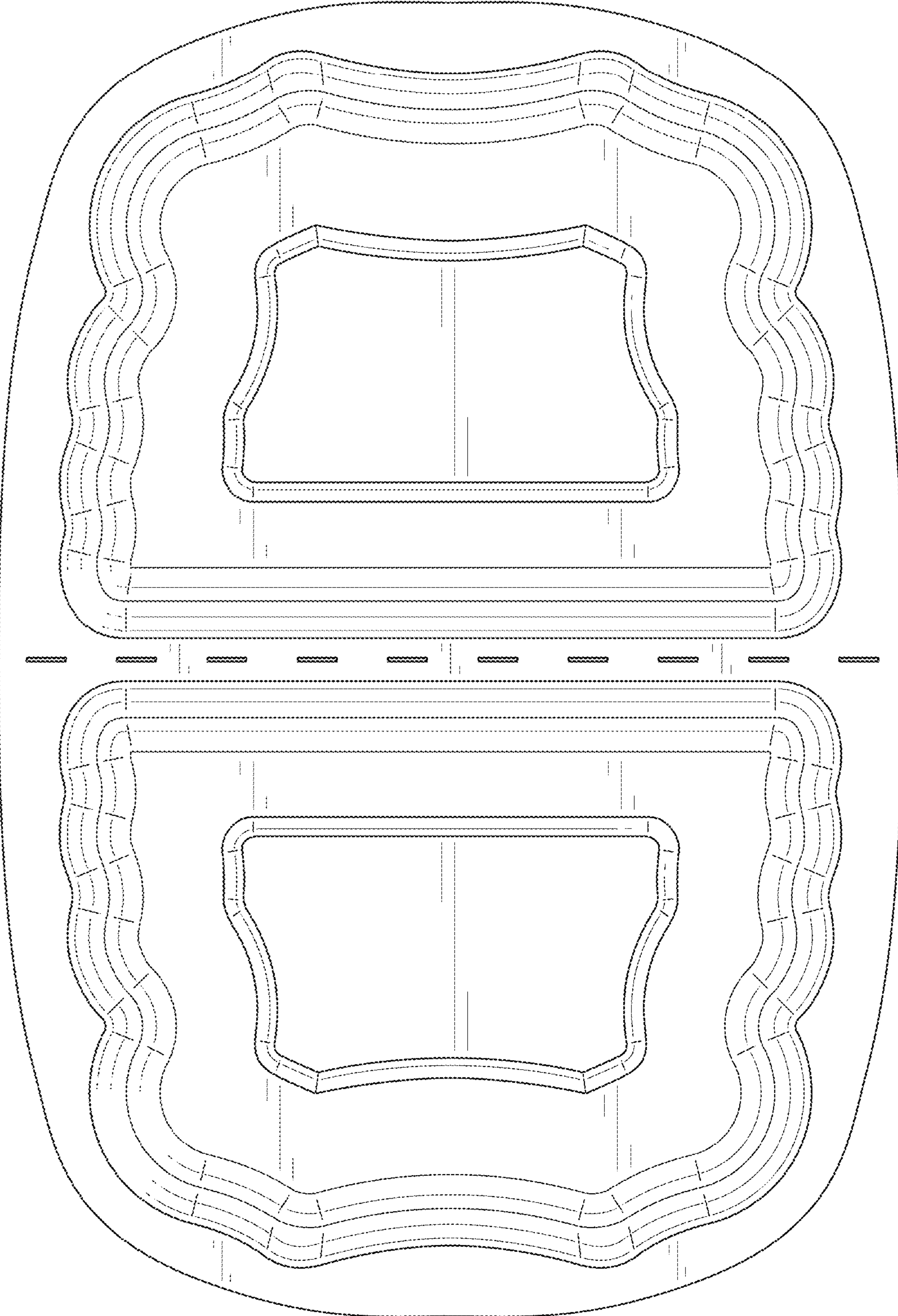


FIG. 5