



US00D778721S

(12) **United States Design Patent**
Sanfilippo et al.

(10) **Patent No.:** **US D778,721 S**

(45) **Date of Patent:** **** Feb. 14, 2017**

(54) **PACKAGE**

(71) Applicant: **CLEAR LAM PACKAGING, INC.**,
Elk Grove Village, IL (US)

(72) Inventors: **James J. Sanfilippo**, Barrington Hills,
IL (US); **John E. Sanfilippo**,
Barrington Hills, IL (US); **Milorad
Radenovic**, Chicago, IL (US)

(73) Assignee: **CLEAR LAM PACKAGING, INC.**,
Elk Grove Village, IL (US)

(**) Term: **15 Years**

(21) Appl. No.: **29/540,470**

(22) Filed: **Sep. 24, 2015**

(51) **LOC (10) Cl.** **09-03**

(52) **U.S. Cl.**
USPC **D9/432; D9/416**

(58) **Field of Classification Search**
USPC D9/430, 432, 433, 431, 756, 426, 725,
D9/425, 242, 761, 418, 416, 420; D7/543,
D7/545, 602, 552.2, 538, 553.1, 553.2,
D7/555, 541; 229/112; D6/518
(Continued)

(56) **References Cited**

U.S. PATENT DOCUMENTS

664,316 A 12/1900 Crump
2,339,156 A 1/1944 Duane
(Continued)

OTHER PUBLICATIONS

Reynolds, "Doritos Gamer Packs function on multiple levels",
Packaging World (Nov. 14, 2013).
(Continued)

Primary Examiner — Cynthia Underwood

(74) *Attorney, Agent, or Firm* — Marshall, Gerstein &
Borun LLP

(57) **CLAIM**

The ornamental design for a package, as shown and
described.

DESCRIPTION

FIG. 1 is a front, right-side, bottom perspective view of a
package showing my new design with the lid in closed
position;

FIG. 2 is a front, right-side, top perspective view of a
package;

FIG. 3 is a top plan view of the package.

FIG. 4 is a left-side elevation view of the package.

FIG. 5 is a front elevation view of the package.

FIG. 6 is a right-side elevation view of the package.

FIG. 7 is a bottom plan view of the package.

FIG. 8 is a rear elevation view of the package.

FIG. 9 is a front, right-side, bottom perspective view of a
package showing any new design with the lid in an alternate,
open position;

FIG. 10 is a front, right-side, top perspective view of the
package as seen in FIG. 9;

FIG. 11 is a top plan view of the package as seen in FIG. 9.
FIG. 12 is a left-side elevation view of the package as seen
in FIG. 9.

FIG. 13 is a front elevation view of the package as seen in
FIG. 9.

FIG. 14 is a right-side elevation view of the package as seen
in FIG. 9.

FIG. 15 is a bottom plan view of the package as seen in FIG.
9.

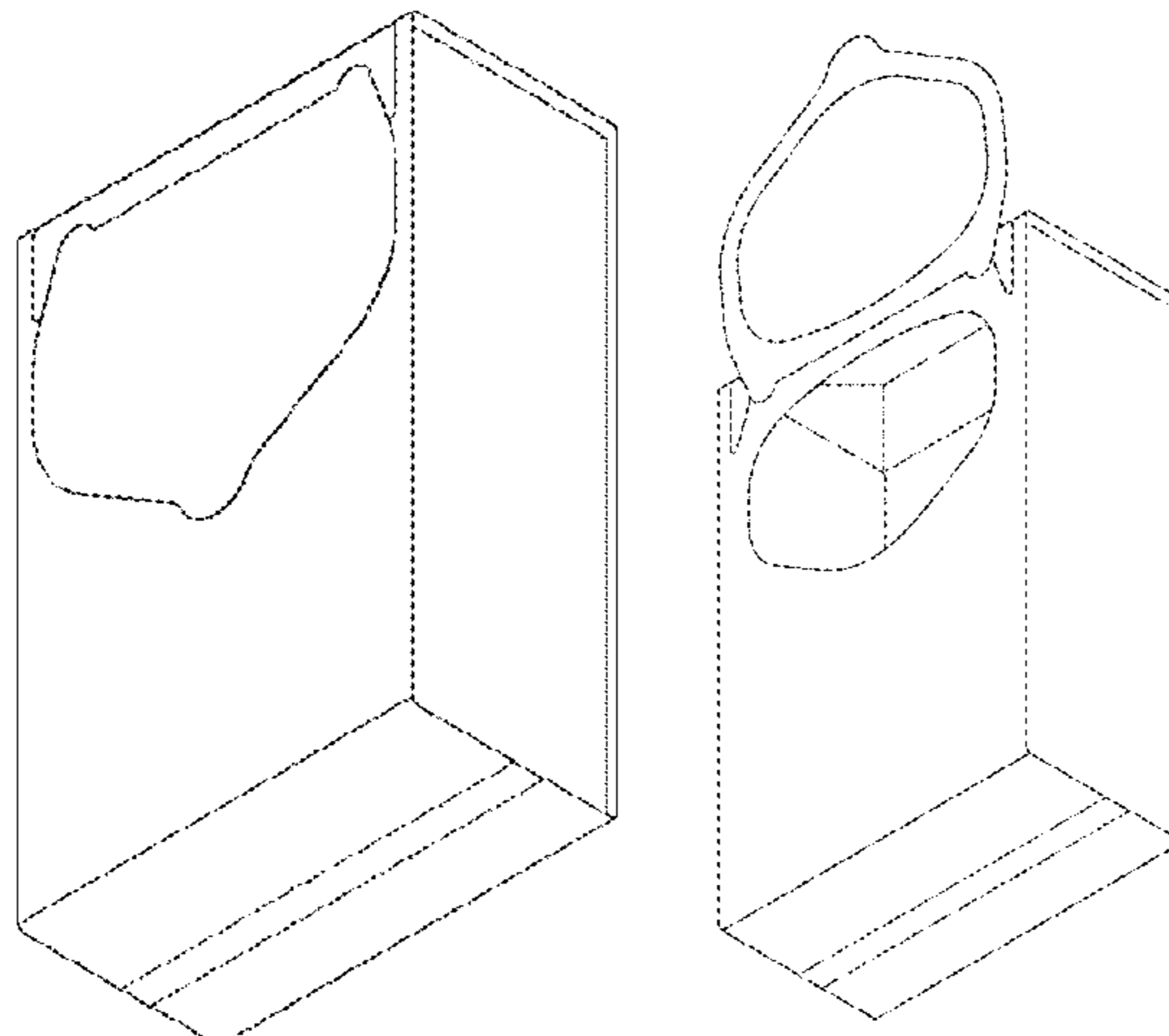
FIG. 16 is a rear elevation view of the package as seen in
FIG. 9.

FIG. 17 is a second embodiment of the package of FIGS.
1-16 showing a front, right-side, top perspective view;

FIG. 18 is a third embodiment of the package of FIGS. 1-16
showing a front, right-side, top perspective view; and,

FIG. 19 is a fourth embodiment of the package of FIGS.
1-16 showing a front, right-side, top perspective view.

(Continued)



The broken lines represent elements of the package that form no part of the claimed design.

1 Claim, 13 Drawing Sheets

(58) **Field of Classification Search**

CPC B65D 1/00; B65D 5/4291; B65D 5/38;
B65D 1/225; B65D 5/002; A47F 5/11
See application file for complete search history.

(56) **References Cited**

U.S. PATENT DOCUMENTS

2,719,663	A	10/1955	Meyer-Jagenberg	
2,819,831	A	1/1958	Polarek et al.	
D219,266	S	11/1970	Biallo	
3,917,158	A	11/1975	Dorofachuk et al.	
4,124,159	A	11/1978	Schwarzkopf	
4,308,679	A *	1/1982	Ray, III B65D 5/4225 206/831
D268,481	S	4/1983	Van Inwagen	
4,512,476	A	4/1985	Herrington, Jr.	
D285,777	S	9/1986	Forbes, Jr.	
4,687,104	A	8/1987	Ielmini	
4,738,365	A	4/1988	Prater	
4,746,019	A	5/1988	Prater	
D297,214	S	8/1988	Forbes, Jr.	
5,366,104	A	11/1994	Armstrong	
5,556,026	A	9/1996	Blankitny	
5,577,612	A	11/1996	Chesson et al.	
D387,976	S *	12/1997	Mori D6/634
D394,383	S	5/1998	Bradfield	
D398,844	S	9/1998	Oberloier	
D431,464	S	10/2000	Collins et al.	
D434,652	S *	12/2000	Mori D9/432
D502,095	S	2/2005	Tucker et al.	
7,100,769	B2 *	9/2006	Tourre B65D 75/5833 206/233

D536,608	S	2/2007	Arkins	
D545,186	S	6/2007	Liebe et al.	
D563,219	S	3/2008	Okin et al.	
D569,719	S	5/2008	Ross	
D571,146	S	6/2008	Sanfilippo et al.	
D571,197	S	6/2008	Sanfilippo et al.	
D591,555	S	5/2009	Sanfilippo et al.	
D608,193	S	1/2010	Sanfilippo et al.	
D629,296	S	12/2010	De Muynck	
D637,577	S	5/2011	Han et al.	
D648,302	S	11/2011	Park et al.	
D651,077	S	12/2011	Frias	
D676,014	S	2/2013	Chung	
D682,244	S	5/2013	Park et al.	
D686,181	S	7/2013	Jeong	
D689,767	S	9/2013	Clark et al.	
D696,107	S	12/2013	Kimple et al.	
D715,643	S	10/2014	Sanfilippo et al.	
D721,575	S	1/2015	Paboojian	
D725,467	S	3/2015	Sanfilippo et al.	
D726,535	S	4/2015	Sanfilippo et al.	
D747,189	S *	1/2016	Sanfilippo D9/432
D747,646	S *	1/2016	Sanfilippo D9/416
D764,903	S *	8/2016	Sanfilippo D9/416
D766,082	S *	9/2016	Sanfilippo D9/434
2001/0040107	A1	11/2001	Tourre et al.	
2003/0085265	A1	5/2003	Haim	
2003/0230504	A1	12/2003	Hamming	
2004/0089578	A1 *	5/2004	Lin B65D 75/5838 206/494
2004/0099570	A1	5/2004	Cargile	
2005/0109827	A1	5/2005	Martin	
2009/0152290	A1	6/2009	Wang et al.	
2015/0001234	A1	1/2015	Sanfilippo et al.	

OTHER PUBLICATIONS

Color photographs of Frito-Lay Doritos "Gamer Pack" package (circa 2013).

* cited by examiner

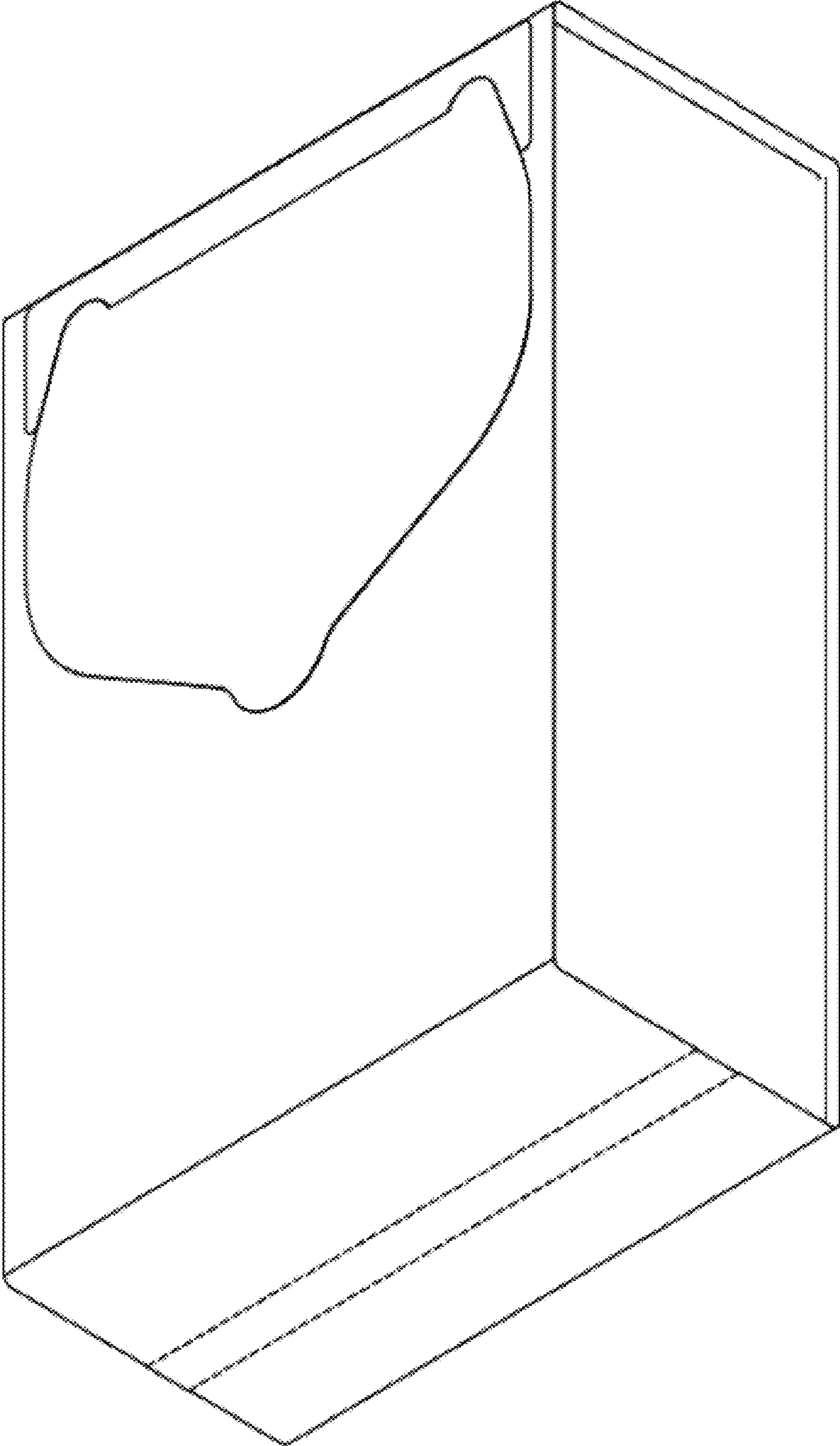


Fig. 1

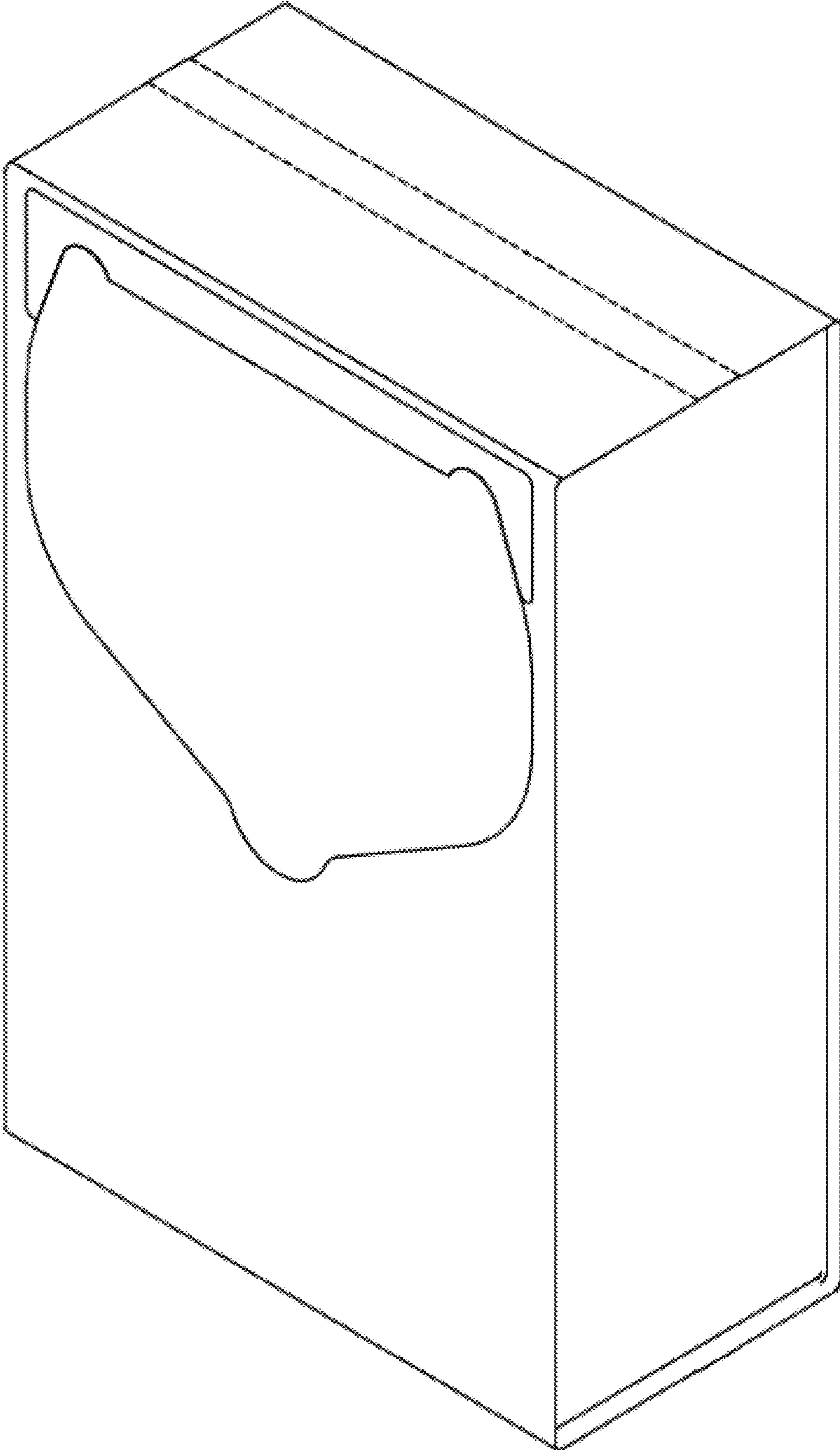


Fig. 2

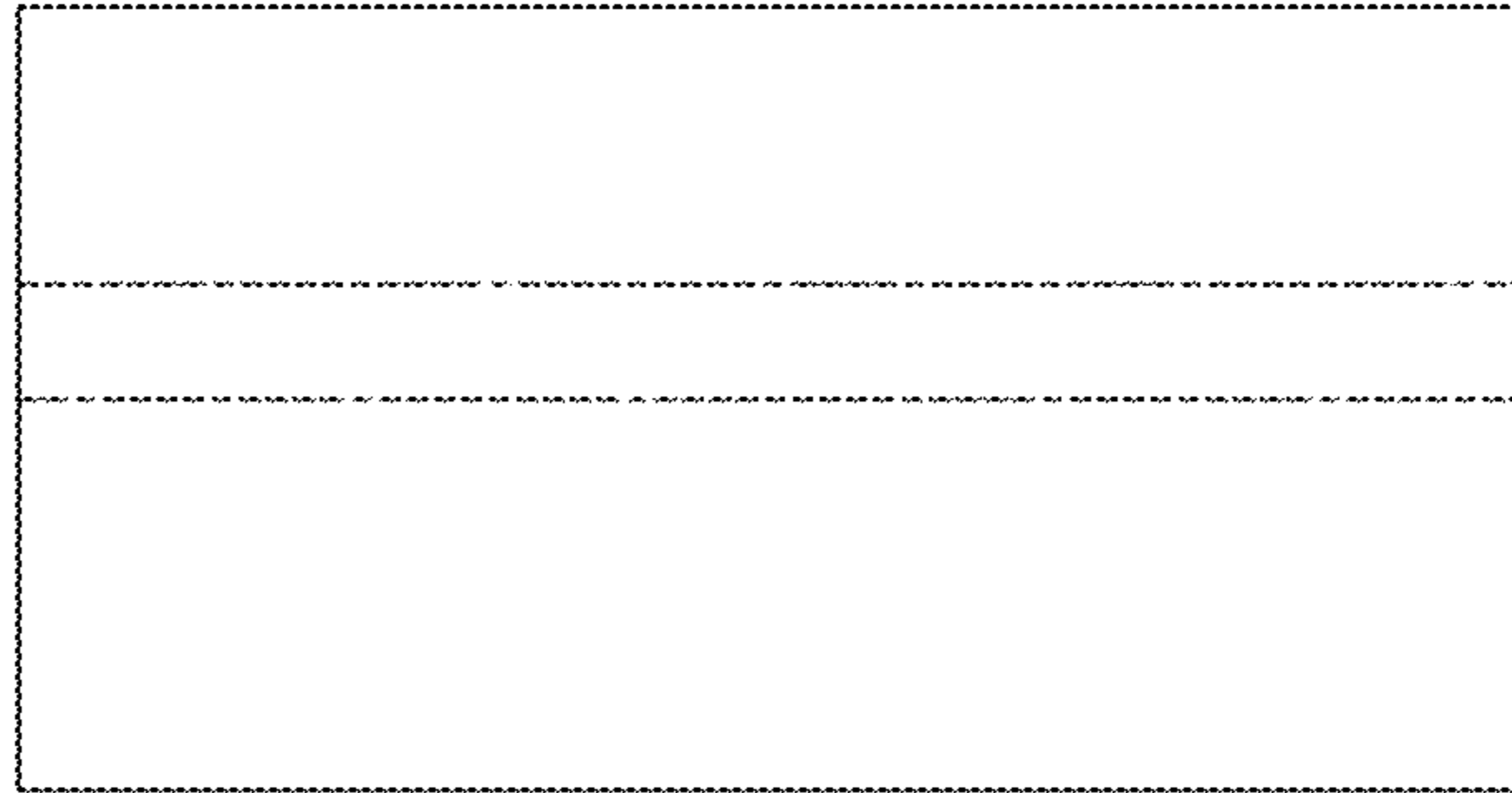


Fig. 3

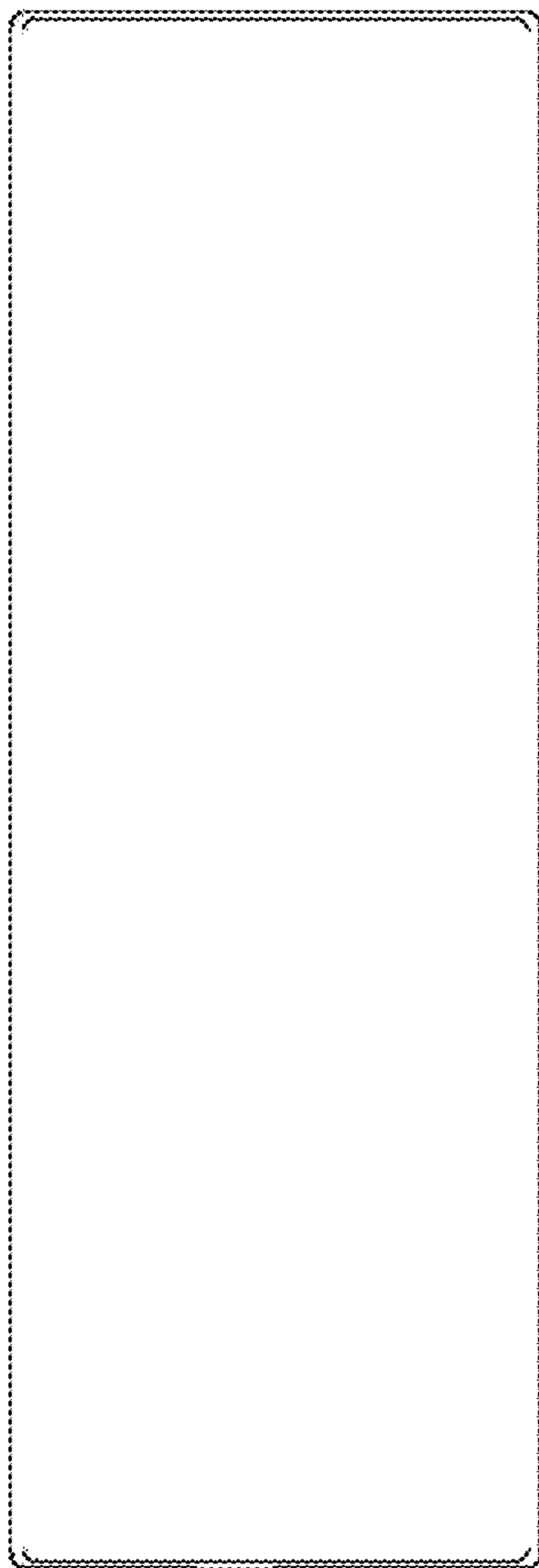


Fig. 4

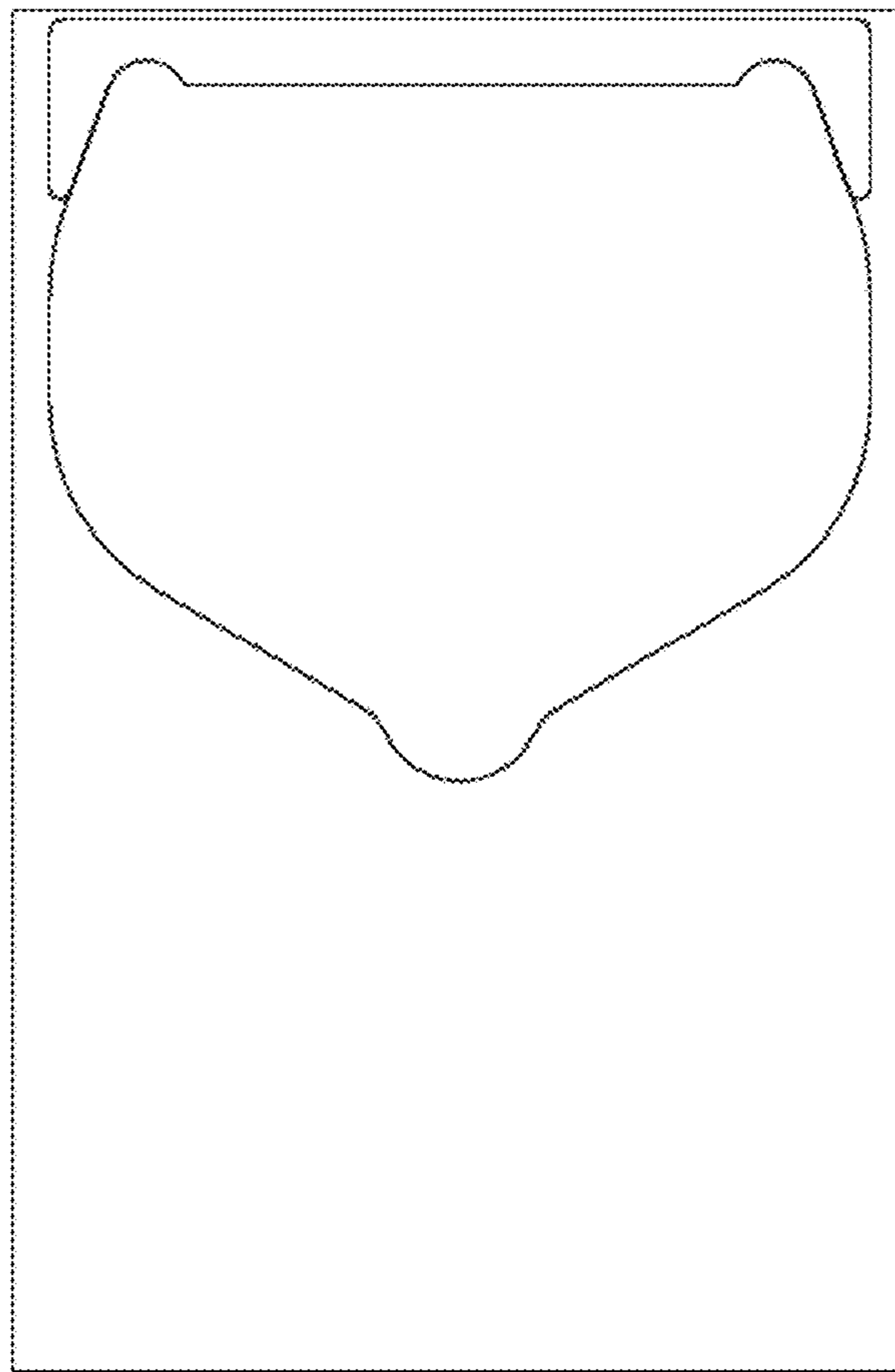


Fig. 5

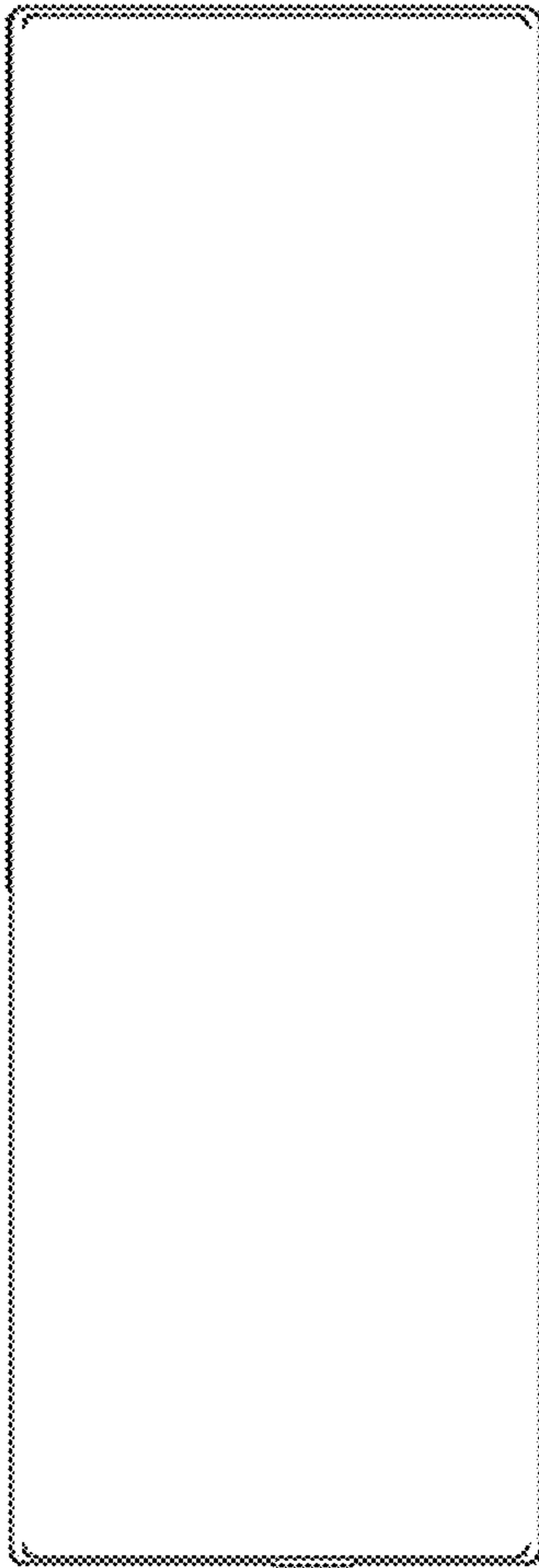


Fig. 6



Fig. 8

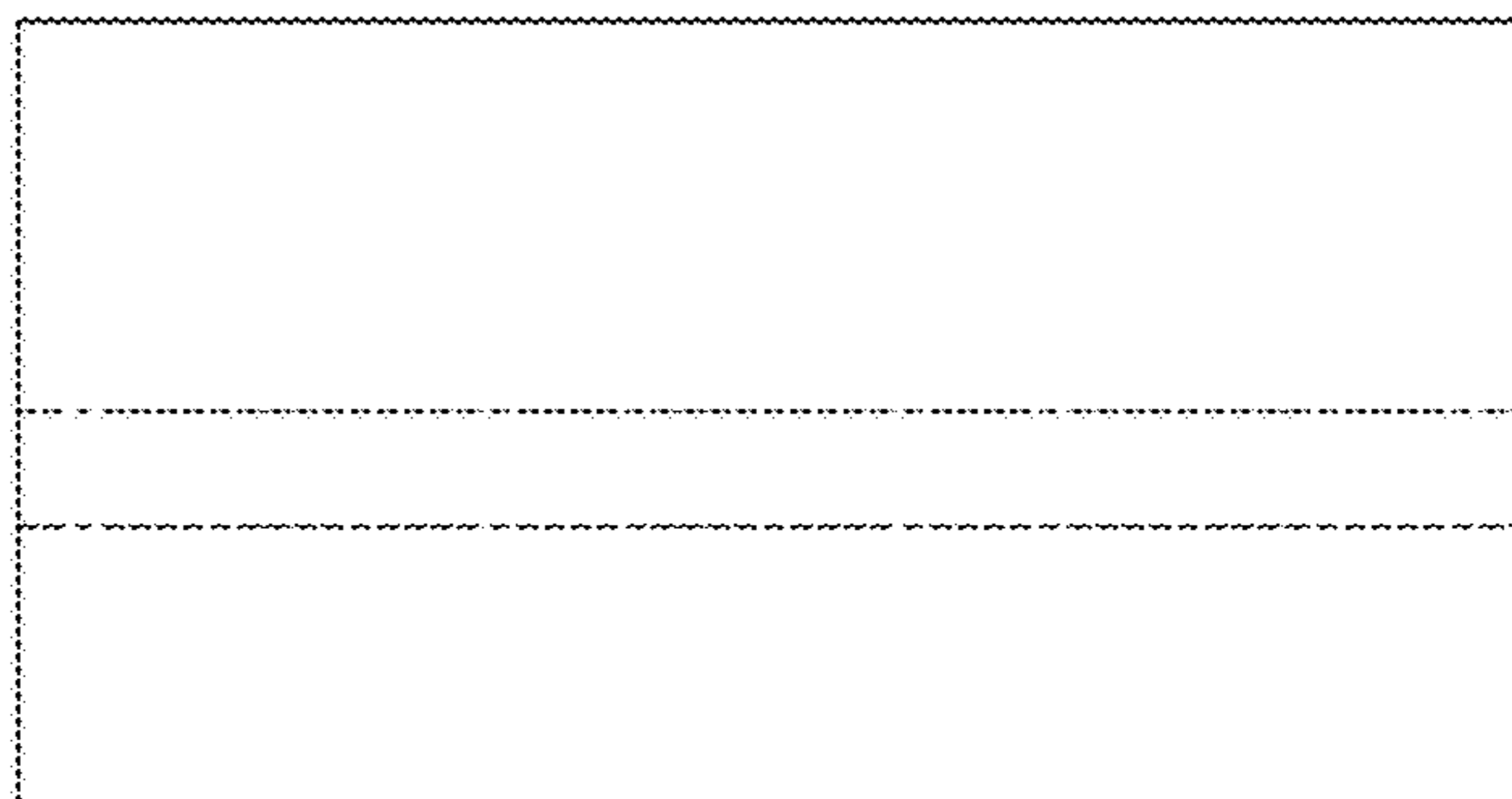


Fig. 7

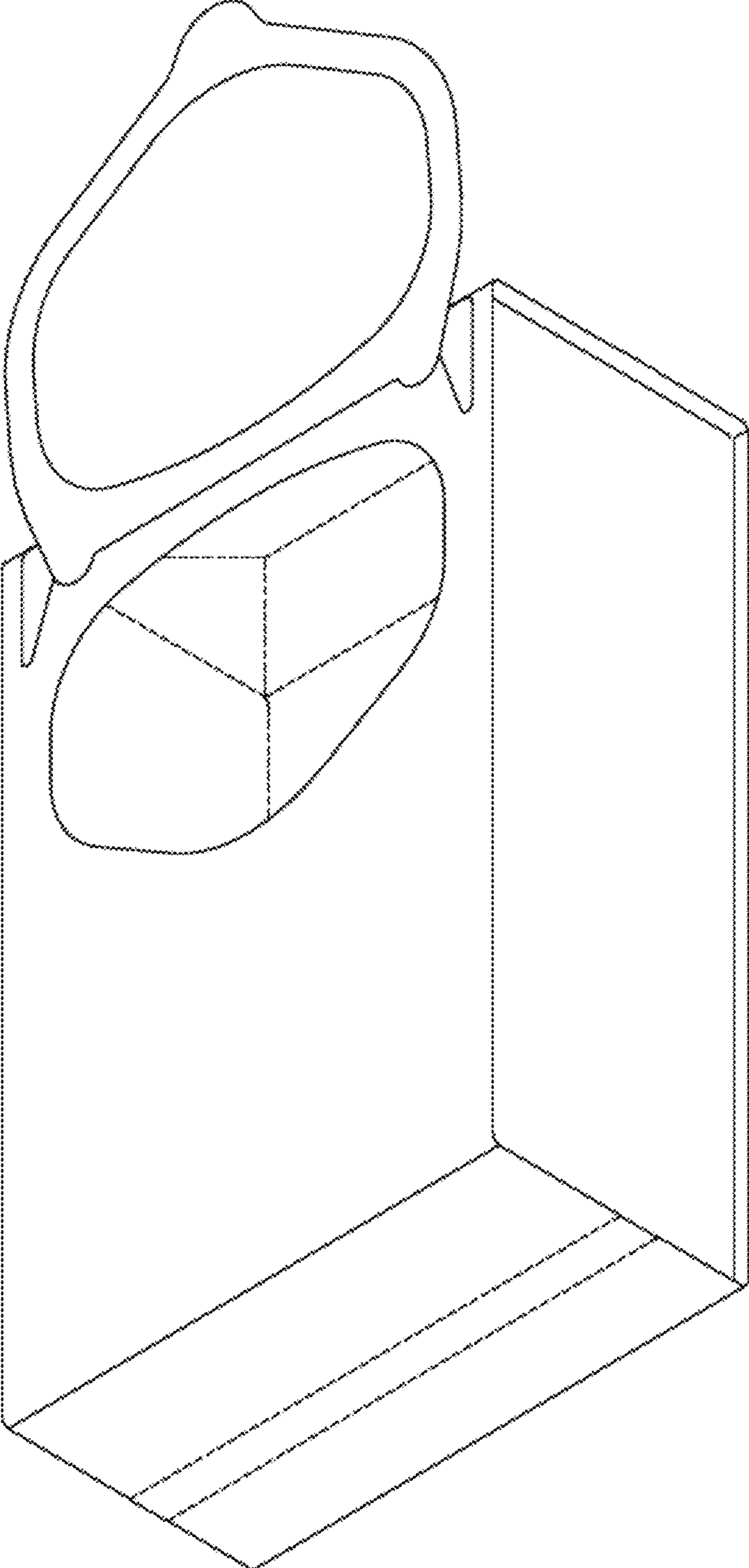


Fig. 9

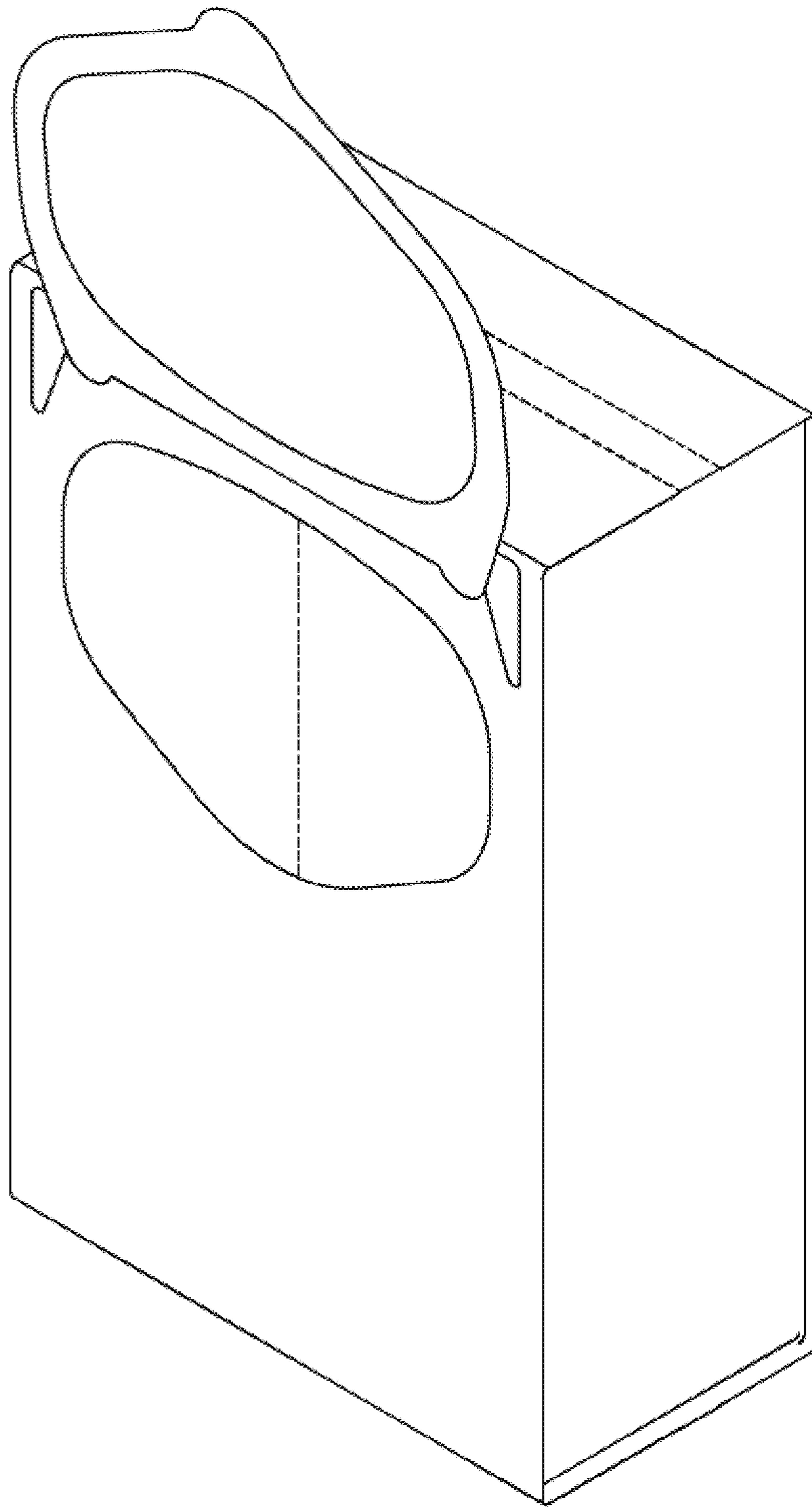


Fig. 10

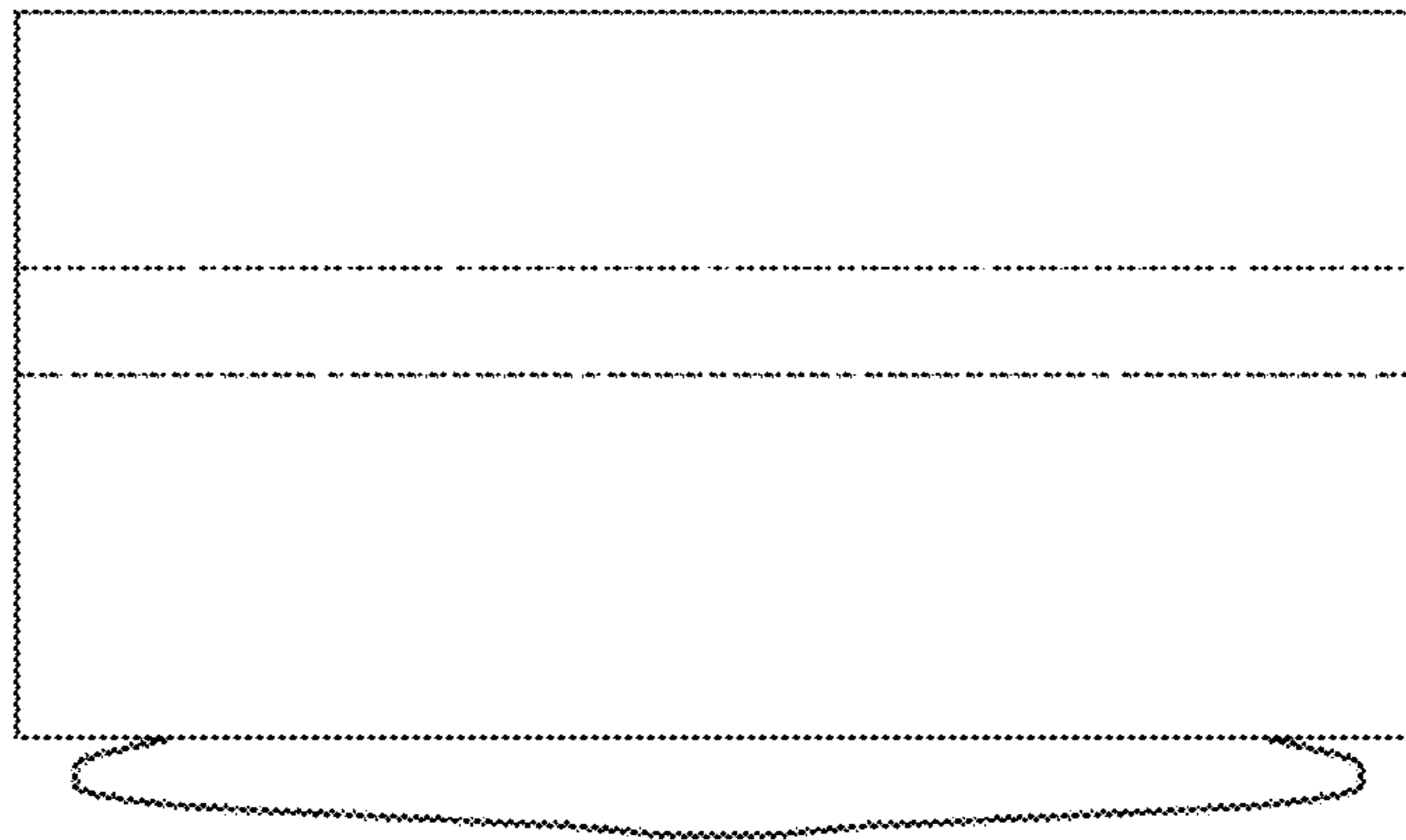


Fig. 11

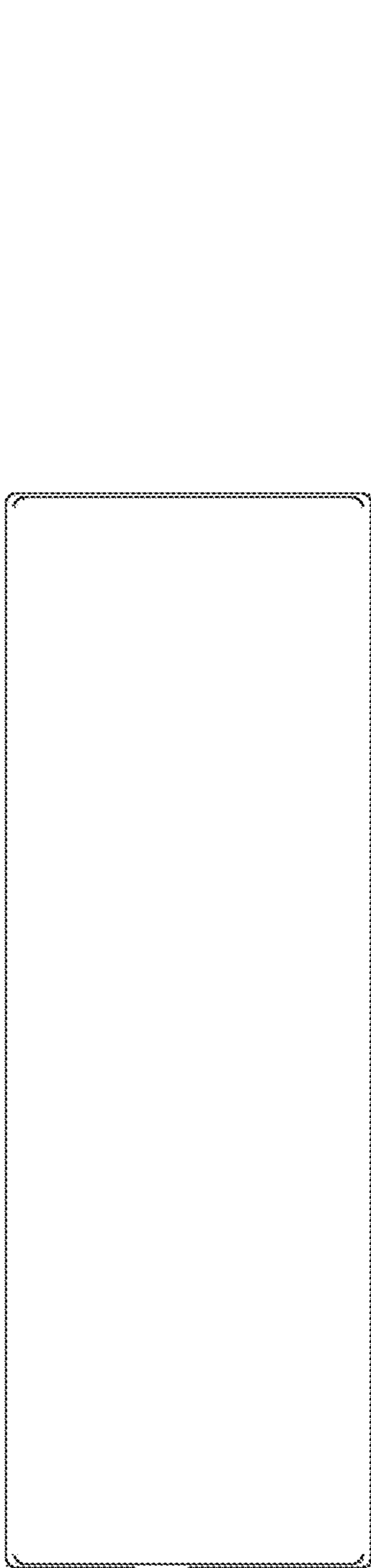


Fig. 12

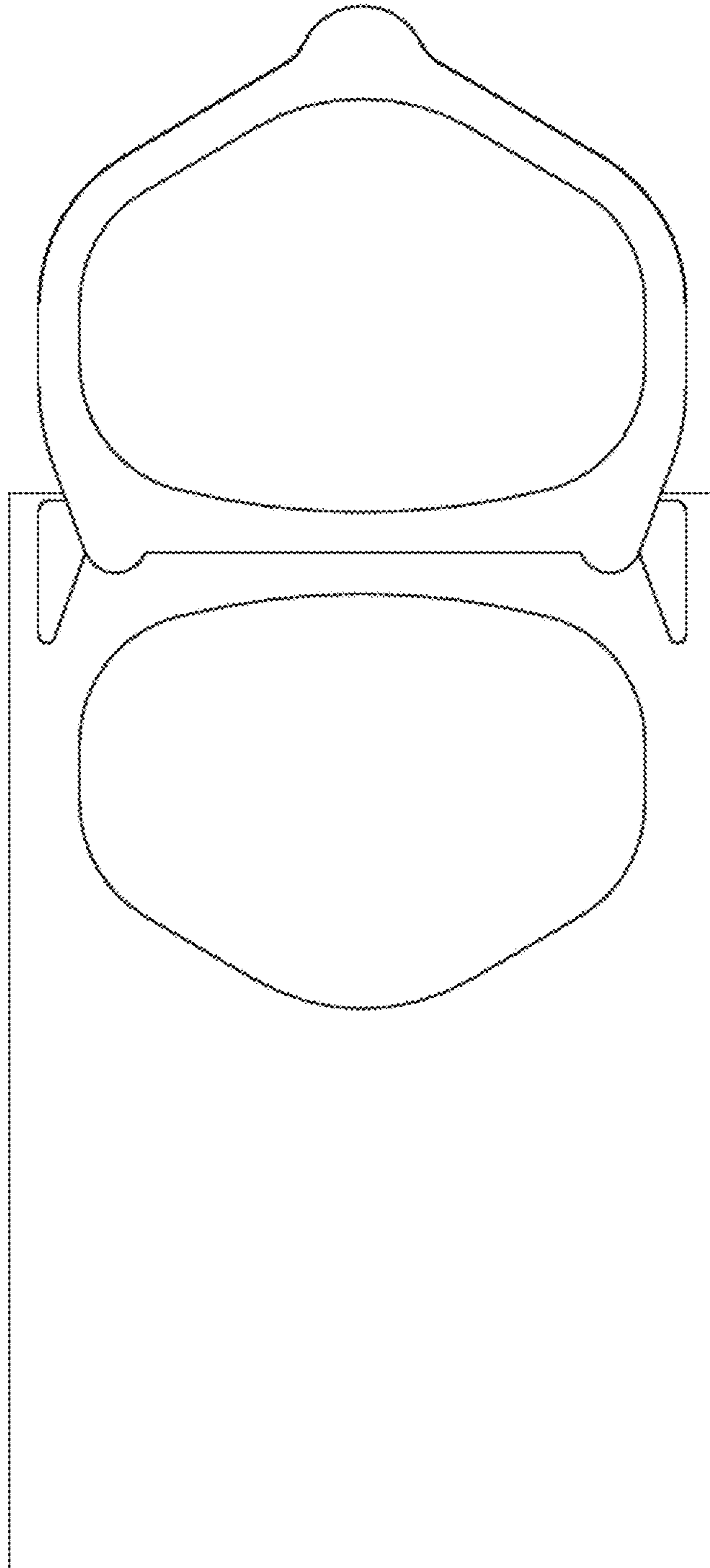


Fig. 13

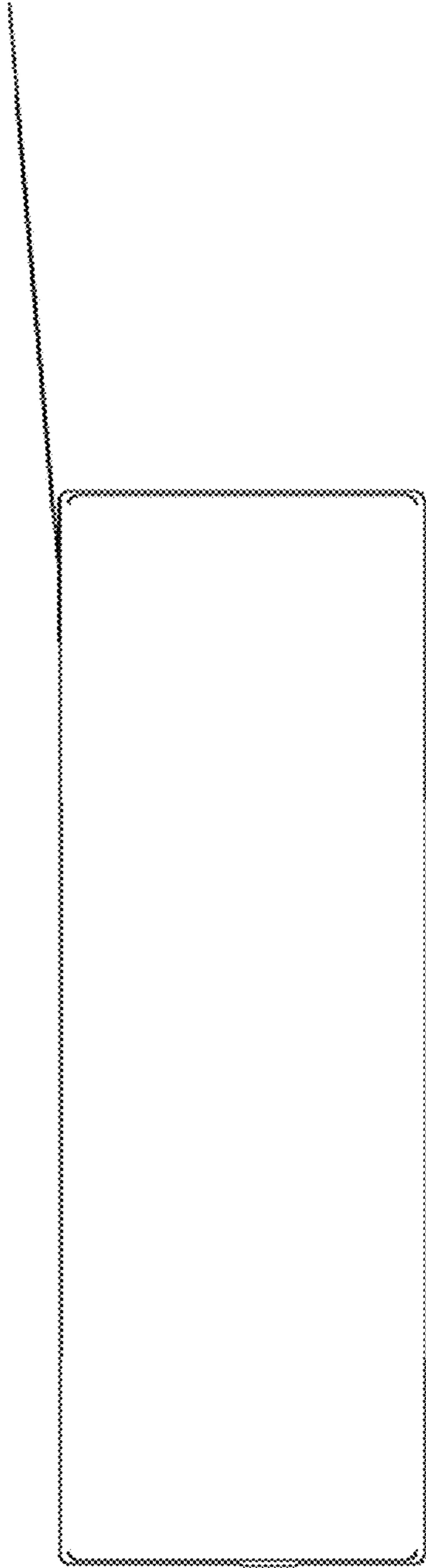


Fig. 14

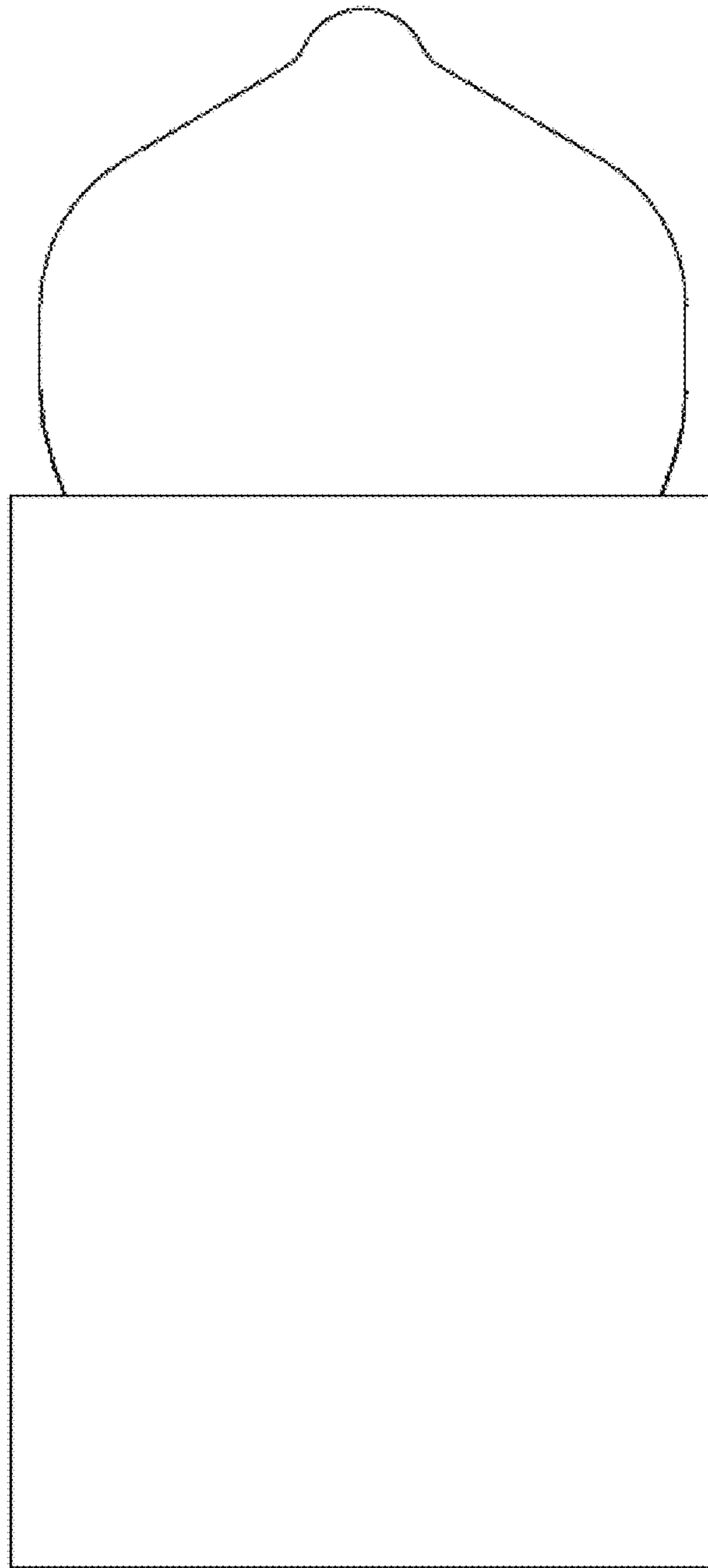


Fig. 16

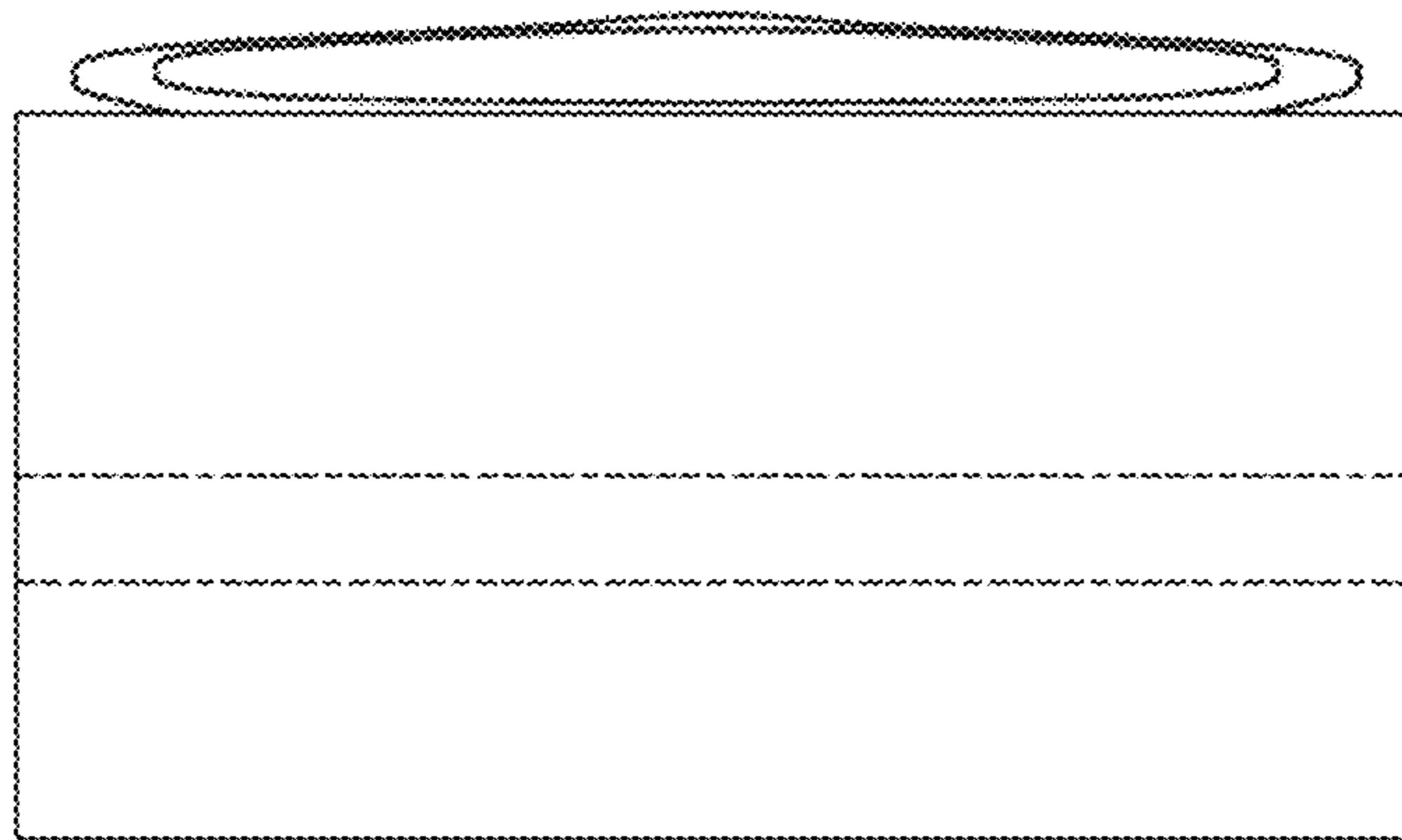


Fig. 15

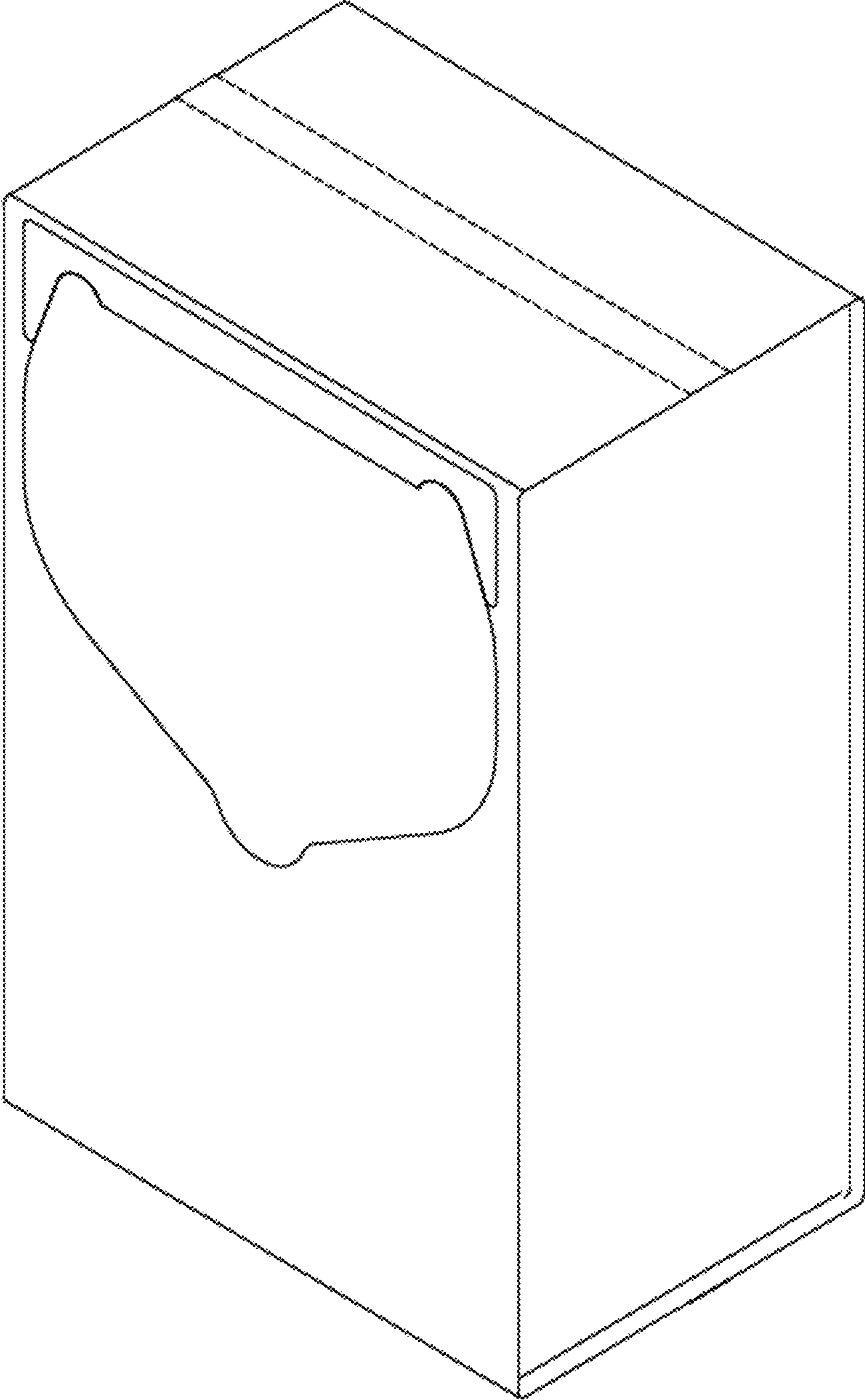


Fig. 17

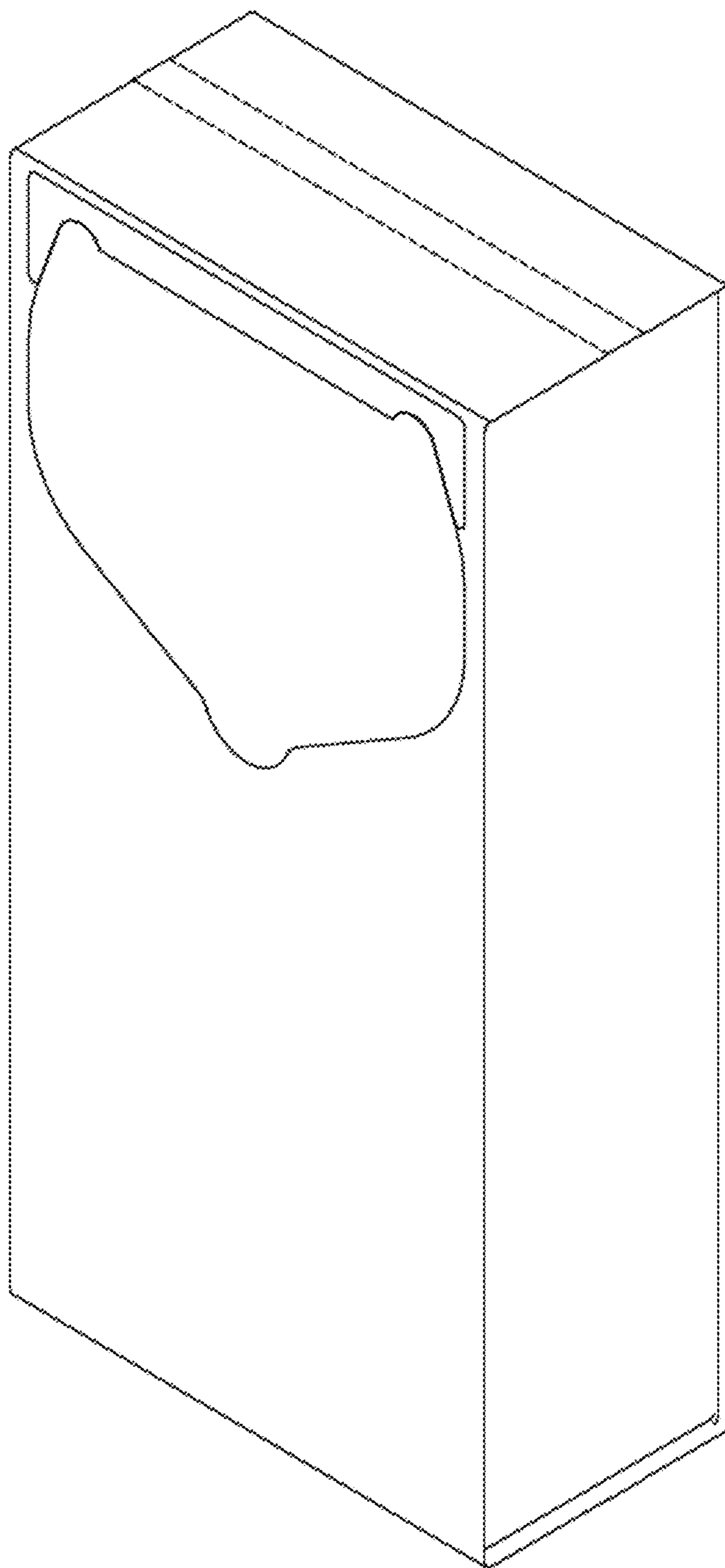


Fig. 18

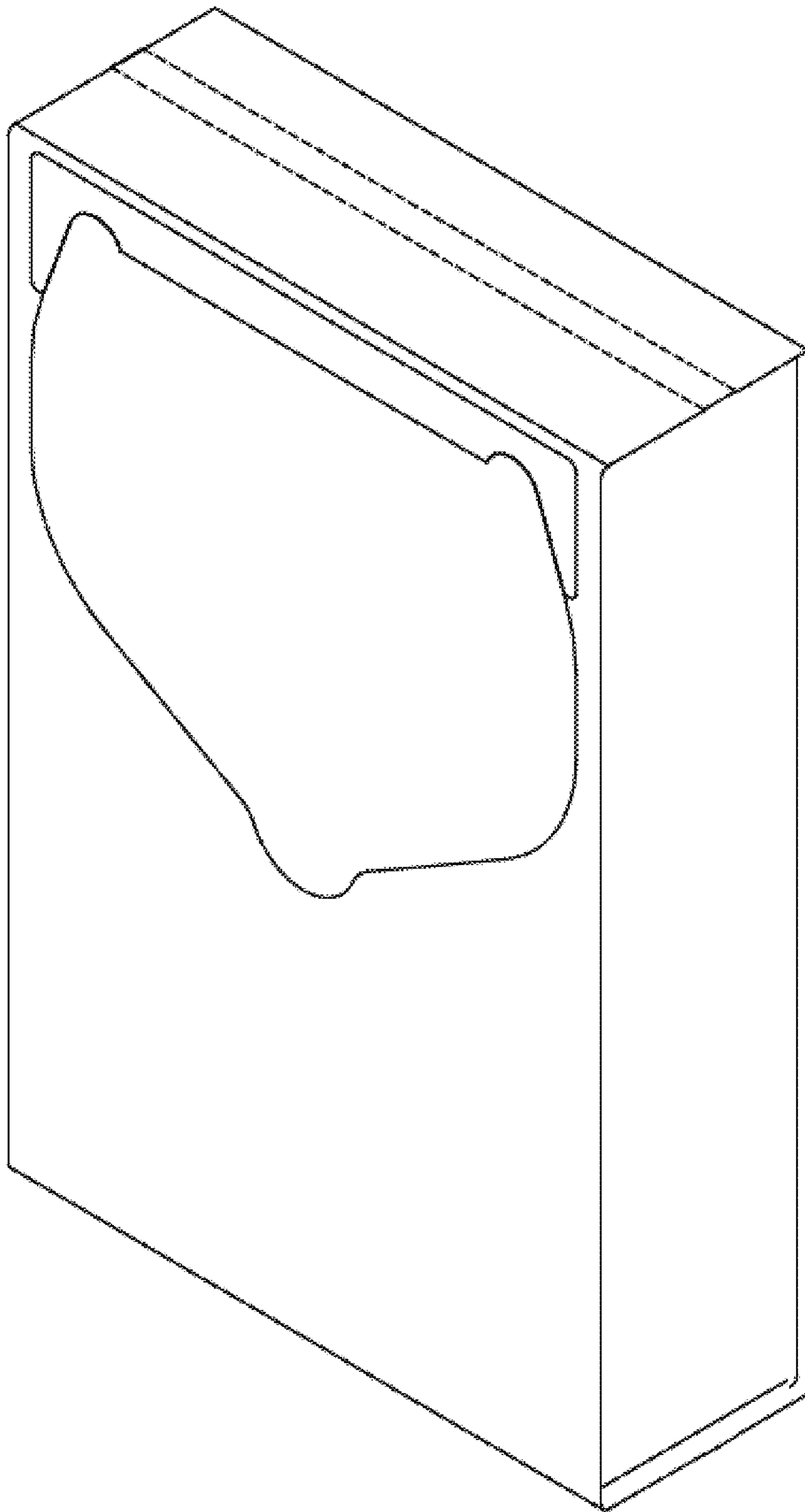


Fig. 19