



US00D778717S

(12) **United States Design Patent**
Lundin

(10) **Patent No.:** **US D778,717 S**

(45) **Date of Patent:** **** Feb. 14, 2017**

(54) **ELONGATED COIN HOLDER**

(71) Applicant: **Louie C Lundin**, La Verkin, UT (US)

(72) Inventor: **Louie C Lundin**, La Verkin, UT (US)

(**) Term: **15 Years**

(21) Appl. No.: **29/551,348**

(22) Filed: **Jan. 13, 2016**

(51) **LOC (10) Cl.** **09-03**

(52) **U.S. Cl.**
USPC **D9/428**; D9/424; D9/425; D8/331

(58) **Field of Classification Search**
USPC D8/424, 425, 428, 429, 418, 330, 331;
D3/201, 203.2, 264; D99/34; D11/3;
453/49, 51, 53, 57; 206/0.8, 0.82, 0.83,
206/38, 82-84, 303; 232/1 D
CPC A45C 1/10; A45C 2001/104; A44C 21/00;
G07D 1/02
See application file for complete search history.

D688,968 S 9/2013 Guerrero, II
D729,145 S * 5/2015 Zuerlein D12/415
9,038,885 B2 * 5/2015 Warm B65D 25/10
232/1 D

OTHER PUBLICATIONS

https://shirlandyou.files.wordpress.com/2014/06/penny-in-holder-72-dpi-img_2579.jpg.
<https://s-media-cache-ak0.pinimg.com/236x/14/88/d7/1488d7165ec419830efbb9287efc0f77.jpg>.
http://eck.images-amazon.com/images/I/81cofBT5AvL._SL1500_.jpg.
<http://www.parkpennies.com/penny-collector-guides/limited-edition-coins.jpg>.
<http://g03.s.alicdn.com/kf/HTB1TwbiHVXXXXahXXXXq6xXFXX8/220492236/HTB1TwbiHVXXXXahXXXXq6xXFXX8.jpg>.

* cited by examiner

Primary Examiner — Prabhakar Deshmukh
(74) *Attorney, Agent, or Firm* — Raj Abhyanker, P.C.

(56) **References Cited**

U.S. PATENT DOCUMENTS

1,560,074 A * 11/1925 Field A45C 1/02
453/49
3,155,236 A * 11/1964 Reno A47F 7/02
206/0.82
3,241,659 A * 3/1966 Segel A47G 1/12
206/0.82
D304,124 S * 10/1989 Iacovelli D99/28
D306,797 S * 3/1990 Charet D12/419
5,011,005 A * 4/1991 Boyd A47G 1/12
206/0.81
5,020,468 A * 6/1991 Ciminelli G09F 11/04
116/309
D595,924 S * 7/2009 Haynes D99/34
8,408,387 B2 * 4/2013 Sottile A45C 1/10
206/0.82
D685,668 S 7/2013 Guerrero, II

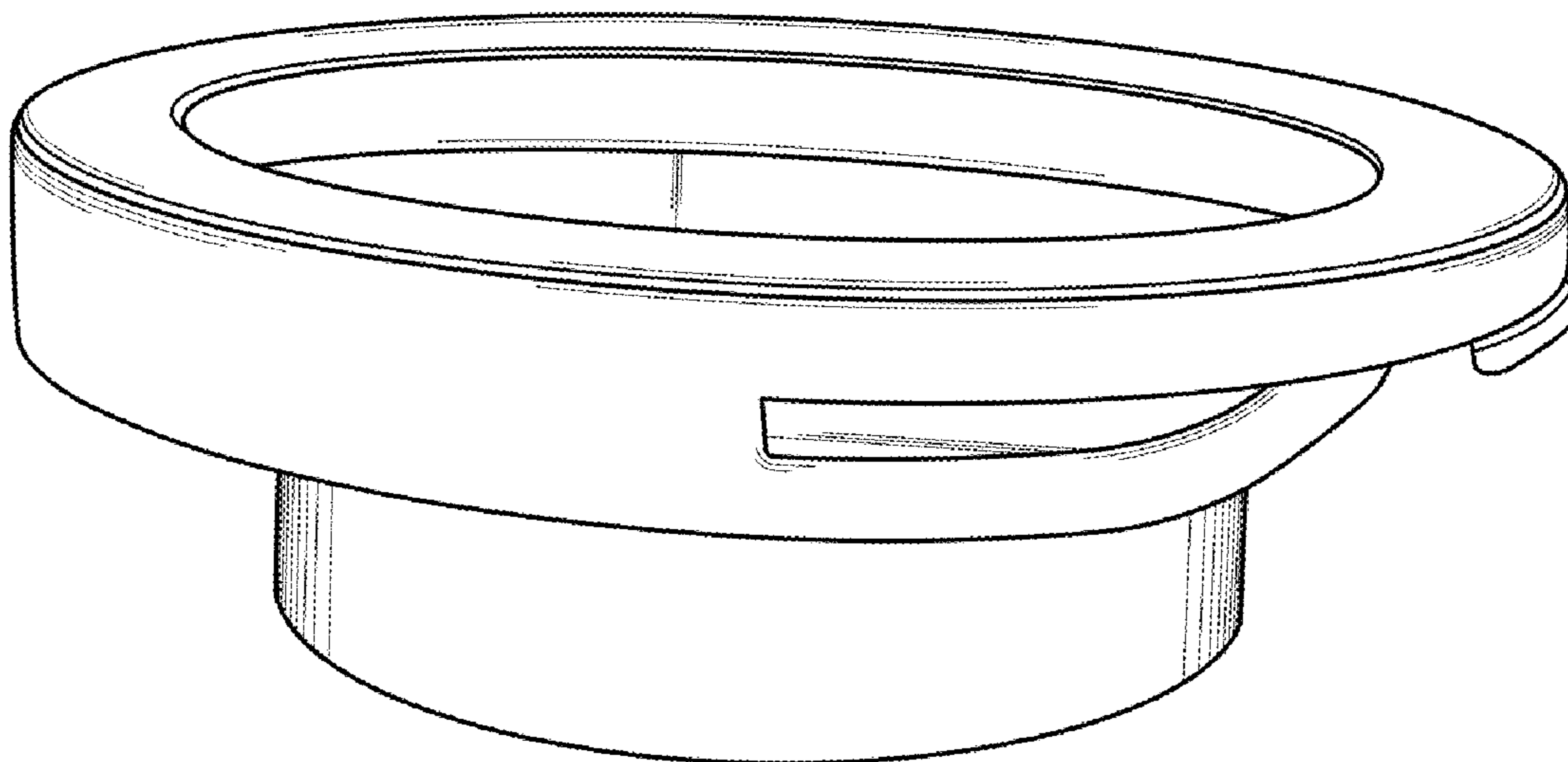
(57) **CLAIM**

The ornamental design for an elongated coin holder, as shown and described.

DESCRIPTION

FIG. 1 is a left top perspective view for an elongated coin holder, showing my new design;
FIG. 2 is a front elevational view thereof;
FIG. 3 is a rear elevational view thereof;
FIG. 4 is a left side elevational view thereof;
FIG. 5 is a right side elevational view thereof;
FIG. 6 is a top plan view thereof; and,
FIG. 7 is a bottom plan view thereof.

1 Claim, 4 Drawing Sheets



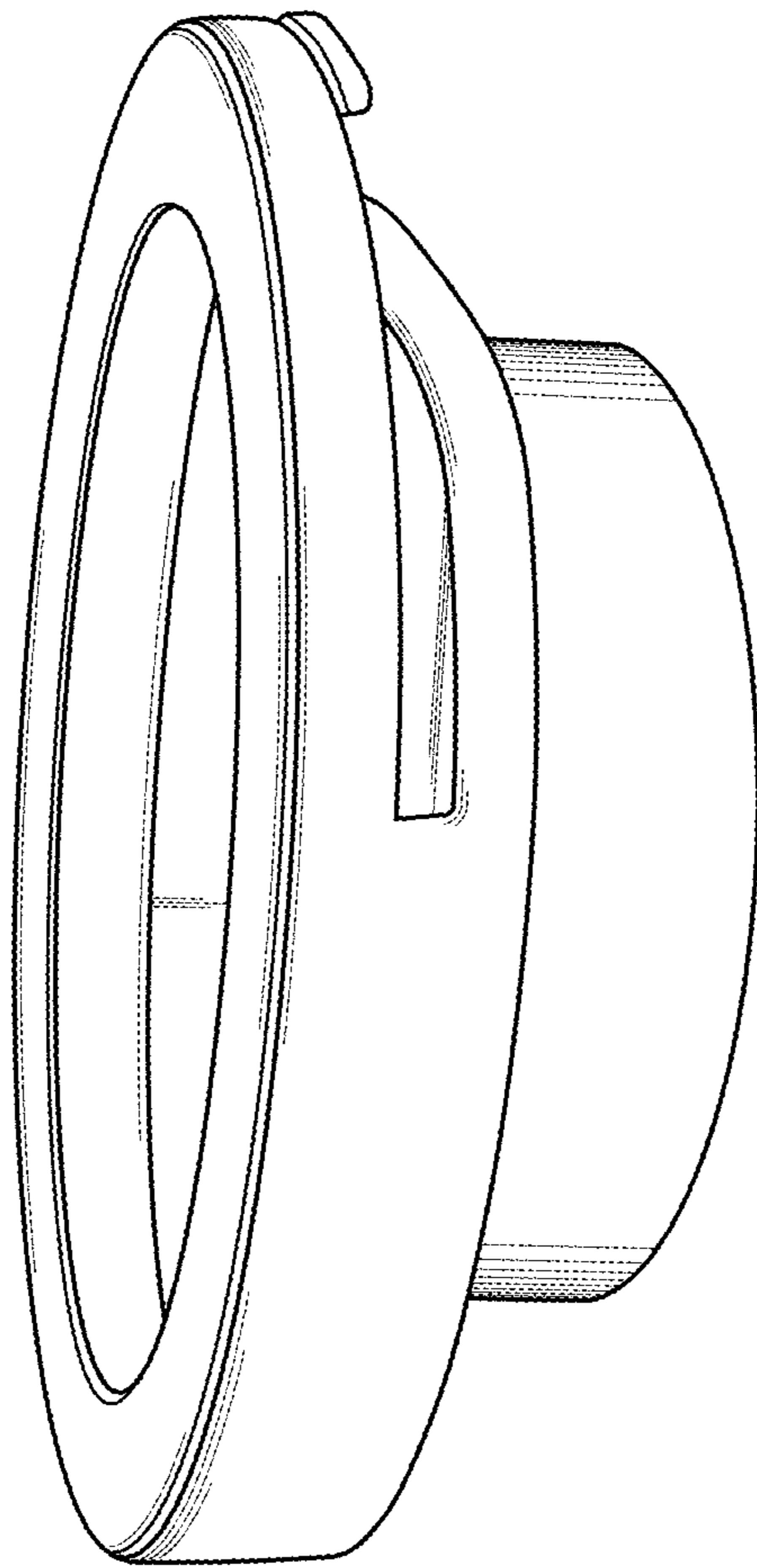


FIG. 1

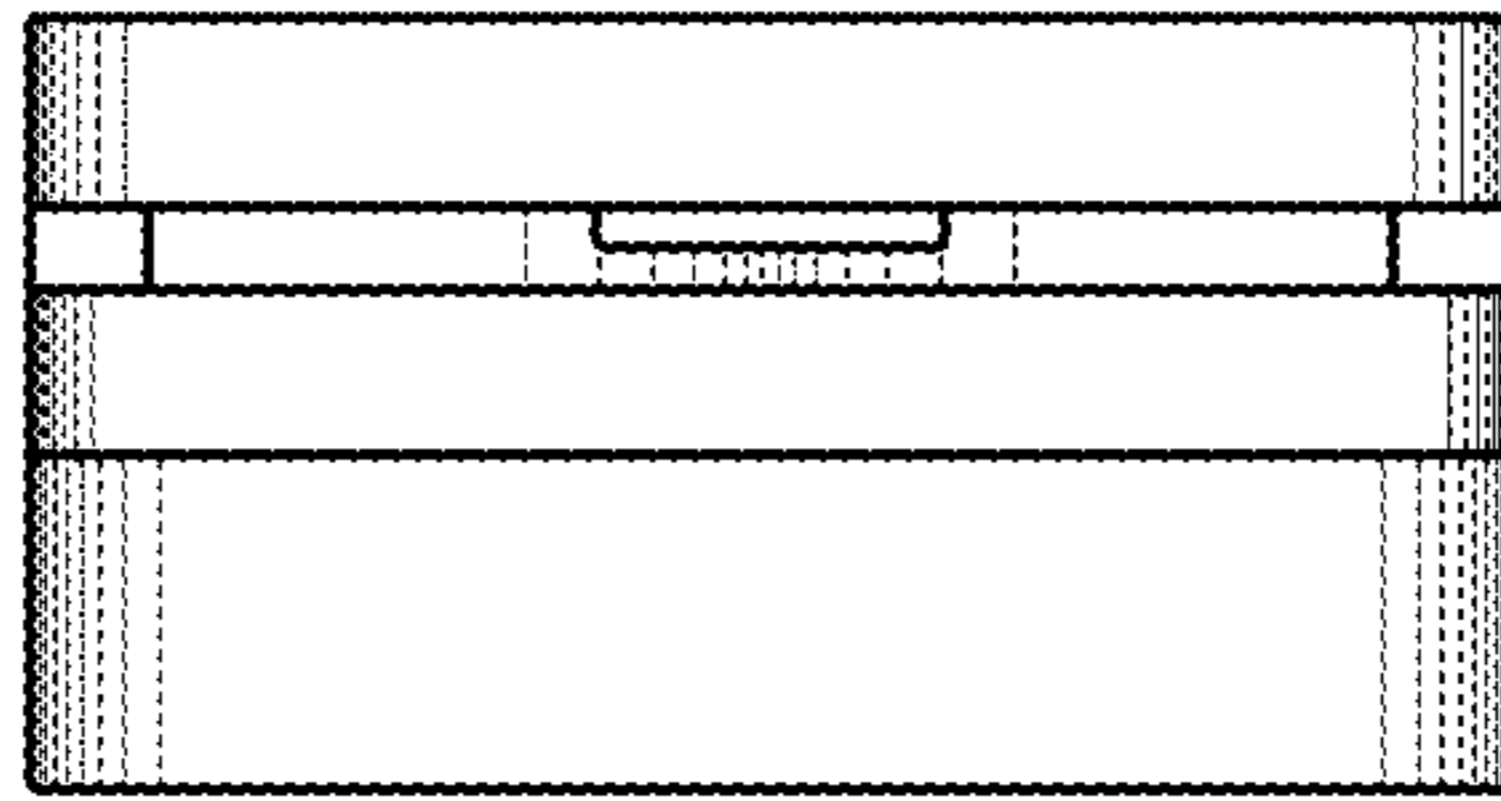


FIG. 2



FIG. 3



FIG. 4

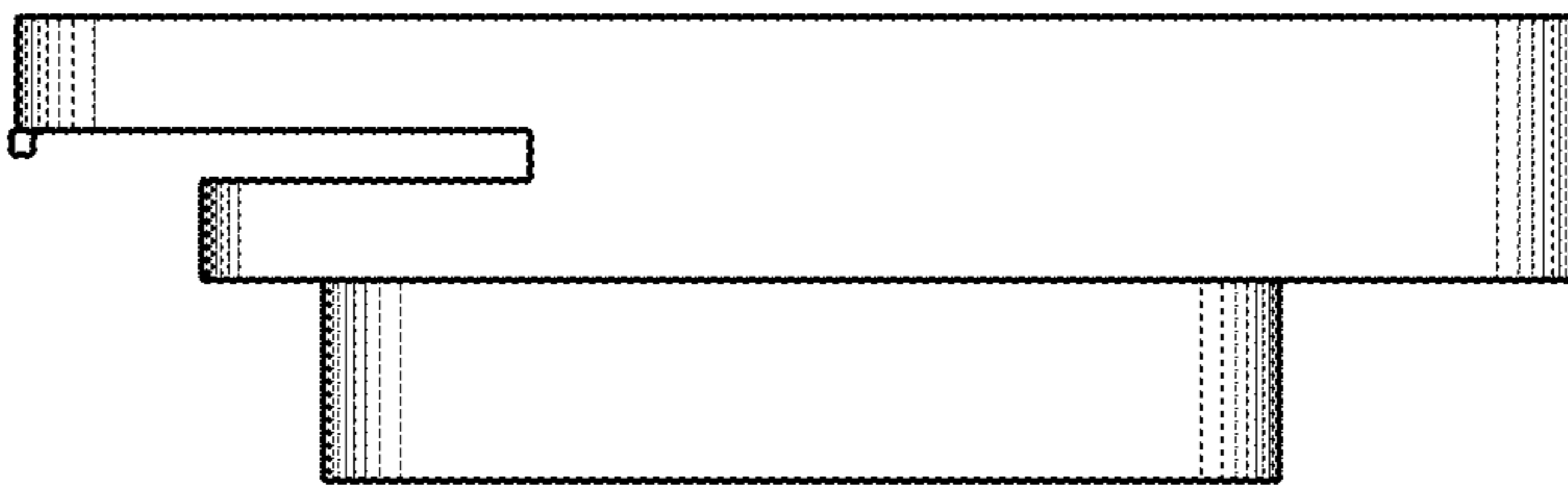


FIG. 5

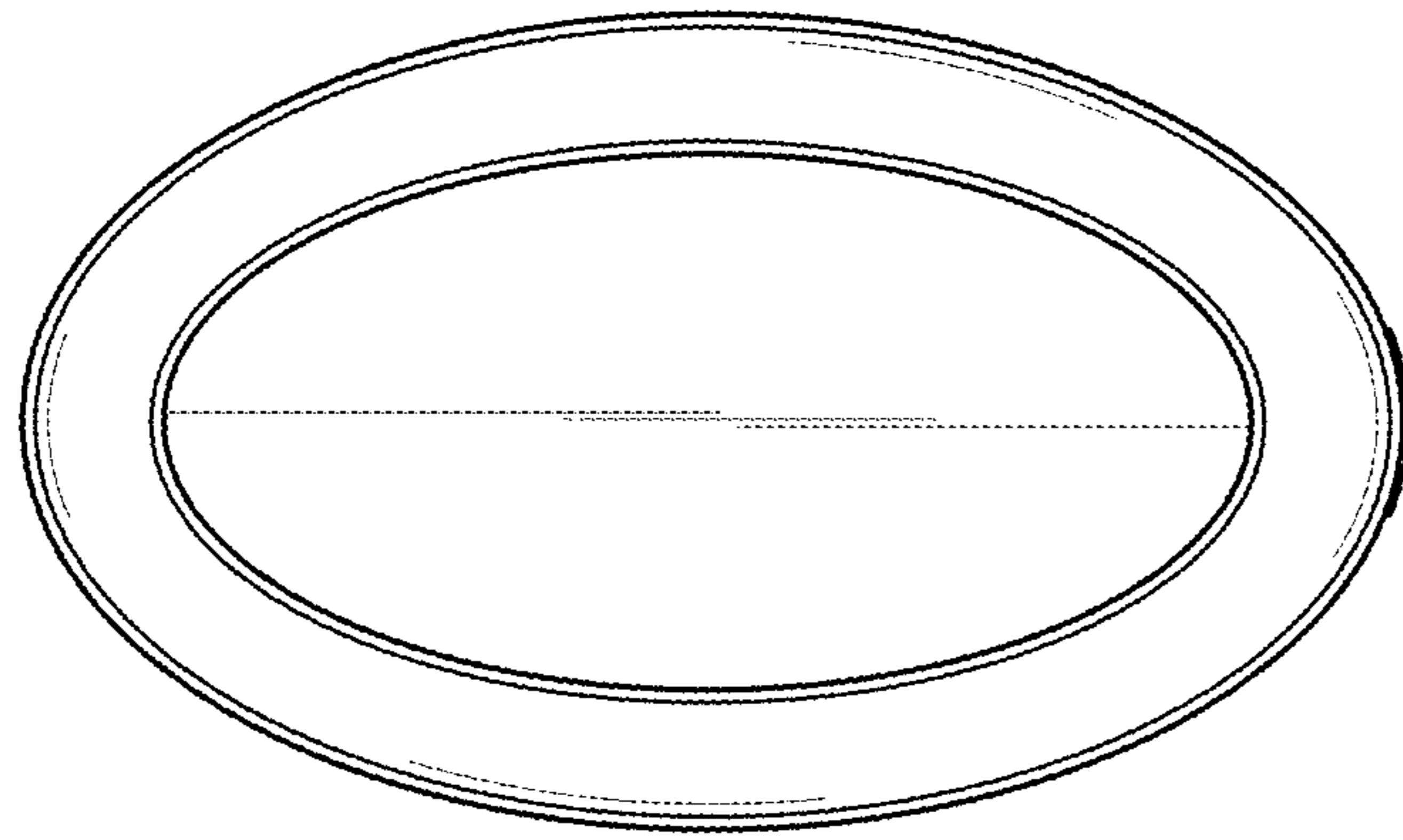


FIG. 6

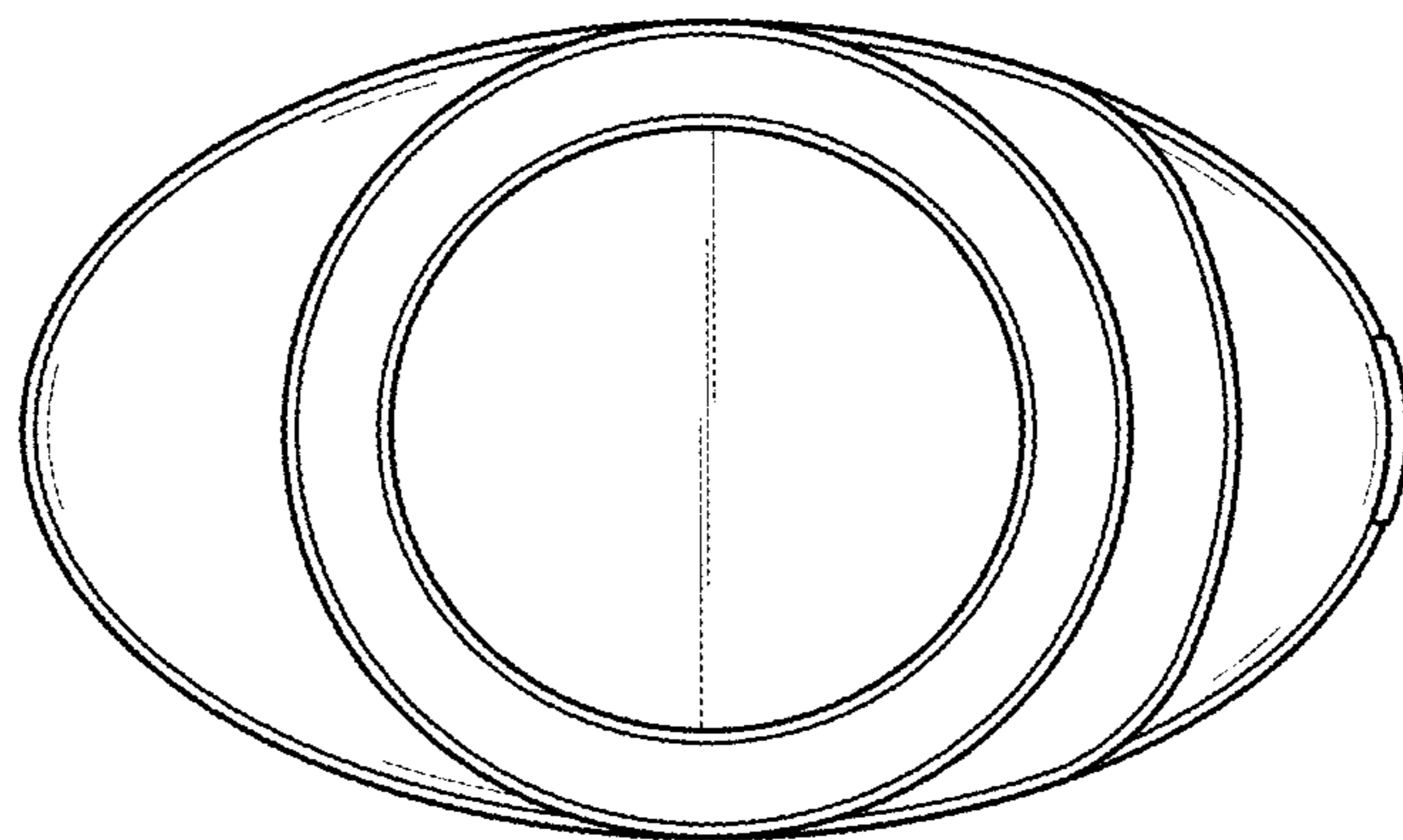


FIG. 7