



US00D778715S

(12) **United States Design Patent** (10) **Patent No.:** **US D778,715 S**
Deachin et al. (45) **Date of Patent:** **** Feb. 14, 2017**

(54) **TREE FASTENER FOR USE OF AUTOMOBILE CAVITY** 5,266,133 A 11/1993 Hanley et al.
5,316,245 A * 5/1994 Ruckwardt F16B 21/084
248/68.1

(71) Applicant: **Zephyros, Inc.**, Romeo, MI (US) 5,468,108 A 11/1995 Sullivan et al.
5,575,526 A 11/1996 Wycech
5,695,307 A * 12/1997 Takahashi F16B 5/0642
411/482

(72) Inventors: **Kyle Deachin**, Metamora, MI (US);
Gordon Morgan, Davison, MI (US);
Kevin Renno, Port Huron, MI (US) 5,755,486 A 5/1998 Wycech
5,766,719 A 6/1998 Rimkus
5,884,960 A 3/1999 Wycech
5,932,680 A 8/1999 Heider

(73) Assignee: **Zephyros, Inc.**, Romeo, MI (US) 6,422,575 B1 7/2002 Czaplicki et al.
6,467,834 B1 10/2002 Barz et al.
6,482,486 B1 11/2002 Czaplicki et al.
6,620,501 B1 9/2003 Kassa et al.
6,669,426 B1 12/2003 Detter et al.

(**) Term: **15 Years**

(21) Appl. No.: **29/532,577**

(Continued)

(22) Filed: **Jul. 8, 2015**

(51) **LOC (10) Cl.** **08-08**

(52) **U.S. Cl.**
USPC **D8/382**

(58) **Field of Classification Search**
USPC D8/382, 397, 394, 499, 388, 398, 395,
D8/402
CPC E05F 5/00; E05F 5/022; E05F 5/025;
F16F 7/00; F16F 2234/02; F16F 2234/04;
F16F 2234/06; F16F 2238/04; F16B
19/002; F16B 19/004; F16B
19/1081; F16B 21/082; F16B
21/084; F16B 21/086; Y10T 16/628;
Y10T 16/6285; Y10T 24/309; Y10T
24/42; Y10S 411/913; Y10S 411/908
See application file for complete search history.

(56) **References Cited**
U.S. PATENT DOCUMENTS

3,810,279 A 5/1974 Swick et al.
4,728,238 A 3/1988 Chisholm et al.
4,922,596 A 5/1990 Wycech
4,978,562 A 12/1990 Wycech
5,124,186 A 6/1992 Wycech
5,195,859 A 3/1993 Thornton

FOREIGN PATENT DOCUMENTS

WO 00/27920 A1 5/2000

Primary Examiner — Sandra Snapp

Assistant Examiner — Ieisha Price

(74) *Attorney, Agent, or Firm* — The Dobrusin Law Firm, PC

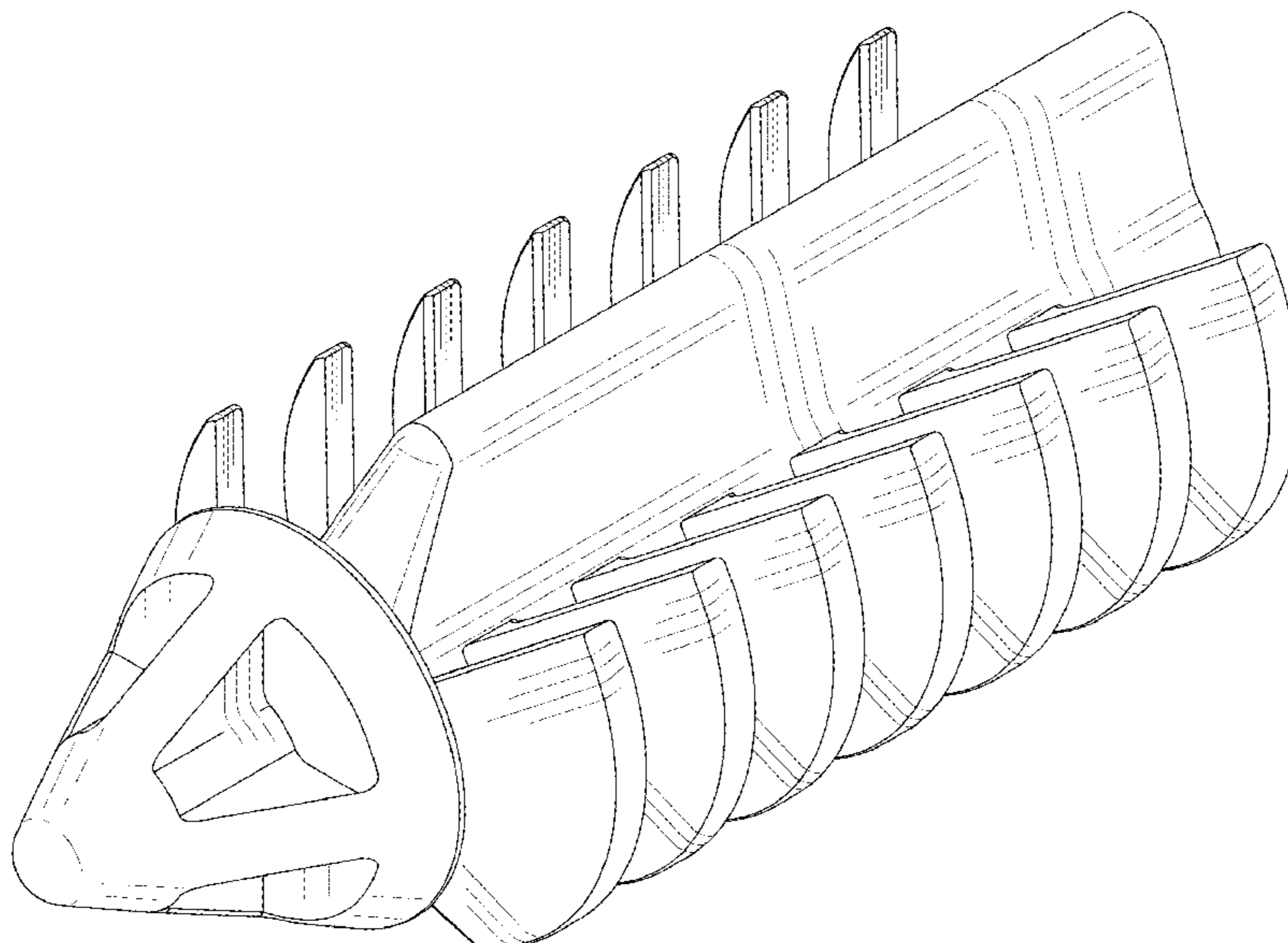
(57) **CLAIM**

The ornamental design for a tree fastener for use of automobile cavity, as shown and described.

DESCRIPTION

FIG. 1 is a perspective view of the present invention.
FIG. 2 is a front elevational view thereof.
FIG. 3 is a rear elevational view thereof.
FIG. 4 is a bottom-up view thereof.
FIG. 5 is a top-down view thereof; and,
FIG. 6 is a side profile view thereof.
The broken lines in the drawings illustrate portions of the tree fastener for use of automobile cavity and form no part of the claimed design.

1 Claim, 4 Drawing Sheets



(56)

References Cited

U.S. PATENT DOCUMENTS

6,719,513	B1 *	4/2004	Moutousis	F16B 21/084 411/510
6,785,533	B2	8/2004	Ezuriko	
6,890,021	B2	5/2005	Bock et al.	
6,920,693	B2	7/2005	Hankins et al.	
6,953,219	B2	10/2005	Lutz et al.	
6,991,237	B2	1/2006	Kassa et al.	
7,105,112	B2	9/2006	Czaplicki et al.	
7,125,561	B2	10/2006	Sackler	
7,199,165	B2	4/2007	Kassa et al.	
7,249,415	B2	7/2007	Larsen et al.	
7,290,828	B2	11/2007	Kosal et al.	
2003/0231943	A1 *	12/2003	Detter	F16B 19/004 411/510
2006/0239796	A1 *	10/2006	Franks	F16B 21/084 411/455
2012/0217355	A1 *	8/2012	Geiger	F16L 3/2332 248/74.2
2016/0223100	A1 *	8/2016	Geiger	F16L 3/137

* cited by examiner

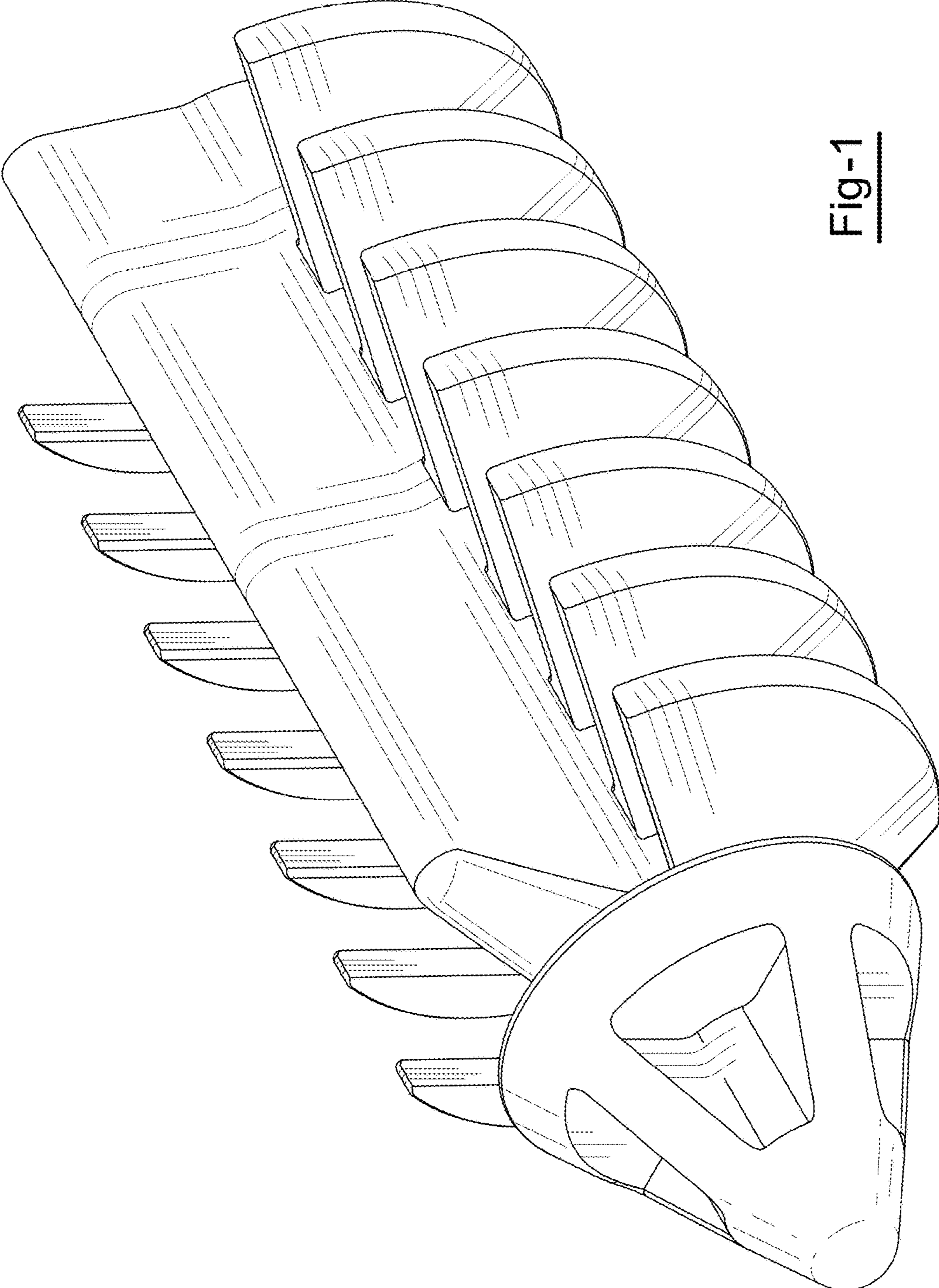


Fig-1

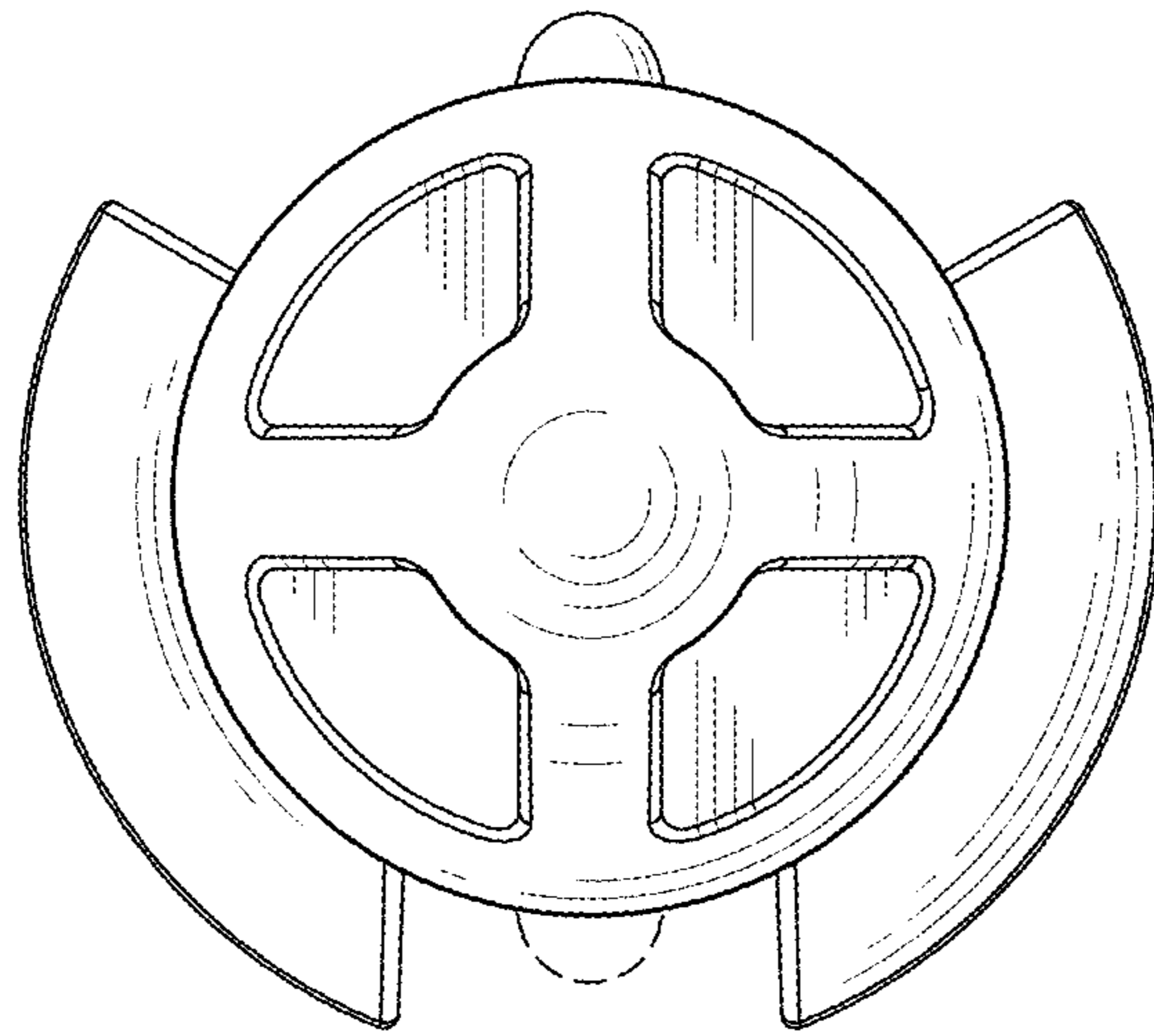


Fig-2

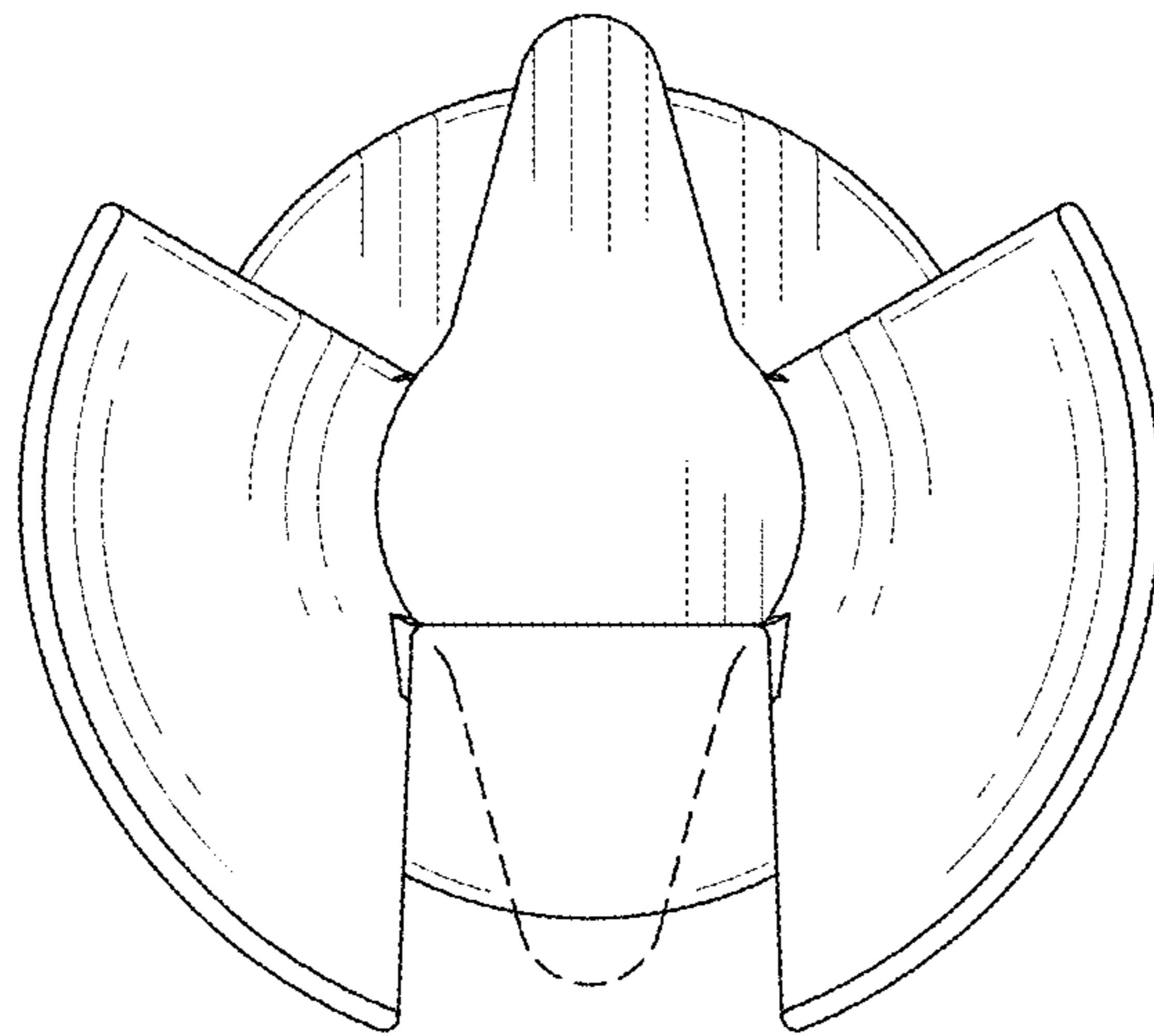


Fig-3

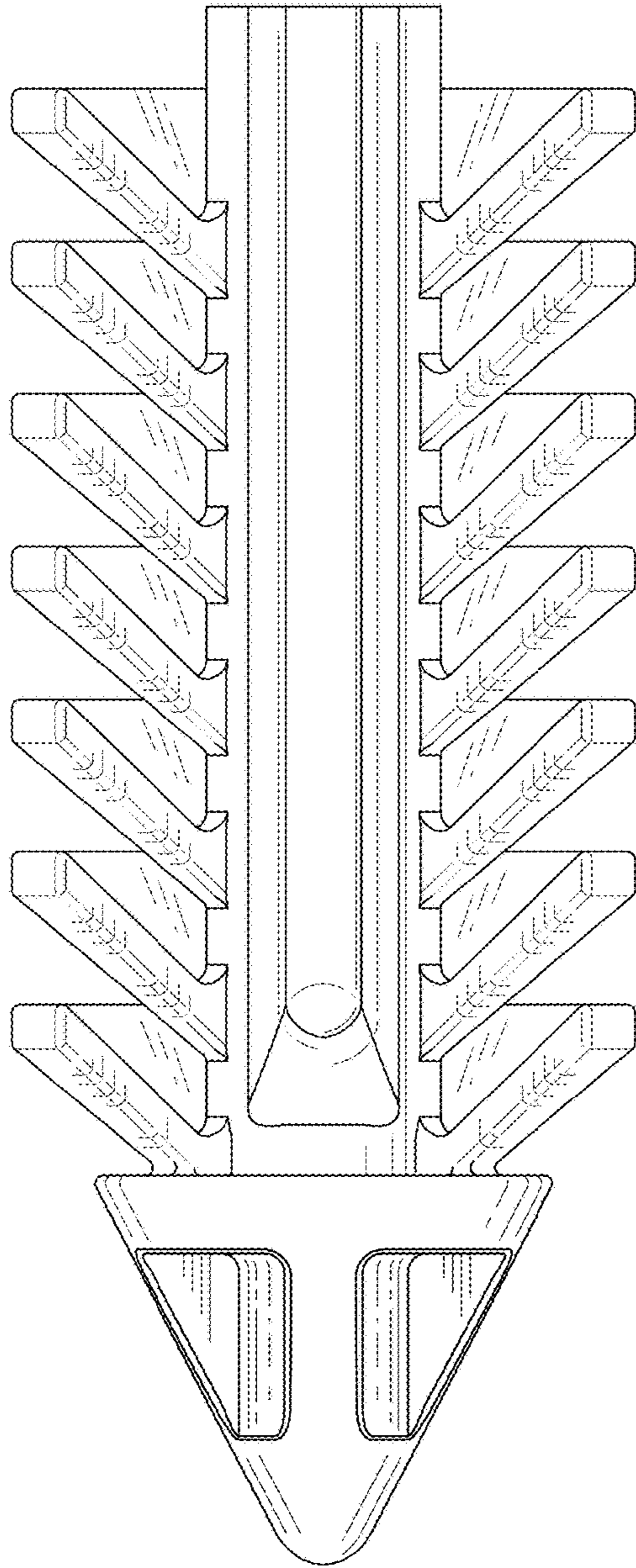


Fig-4

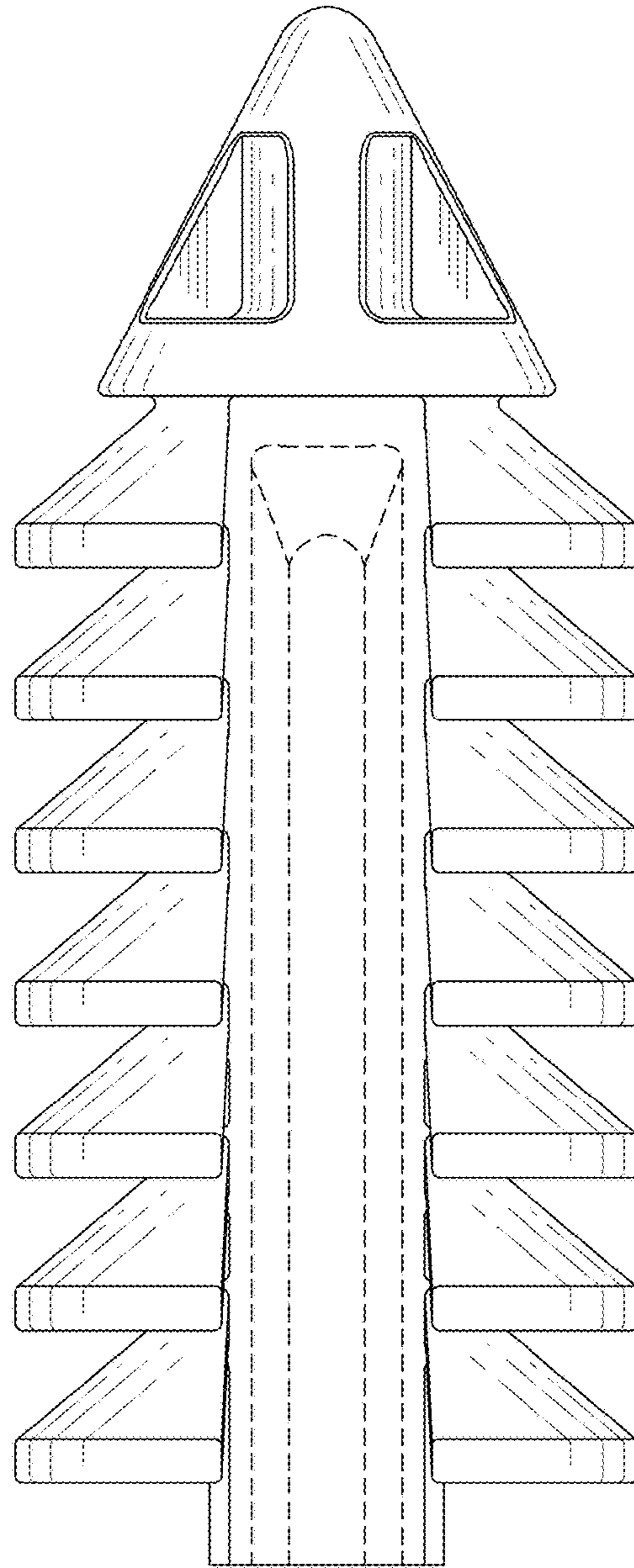


Fig-5

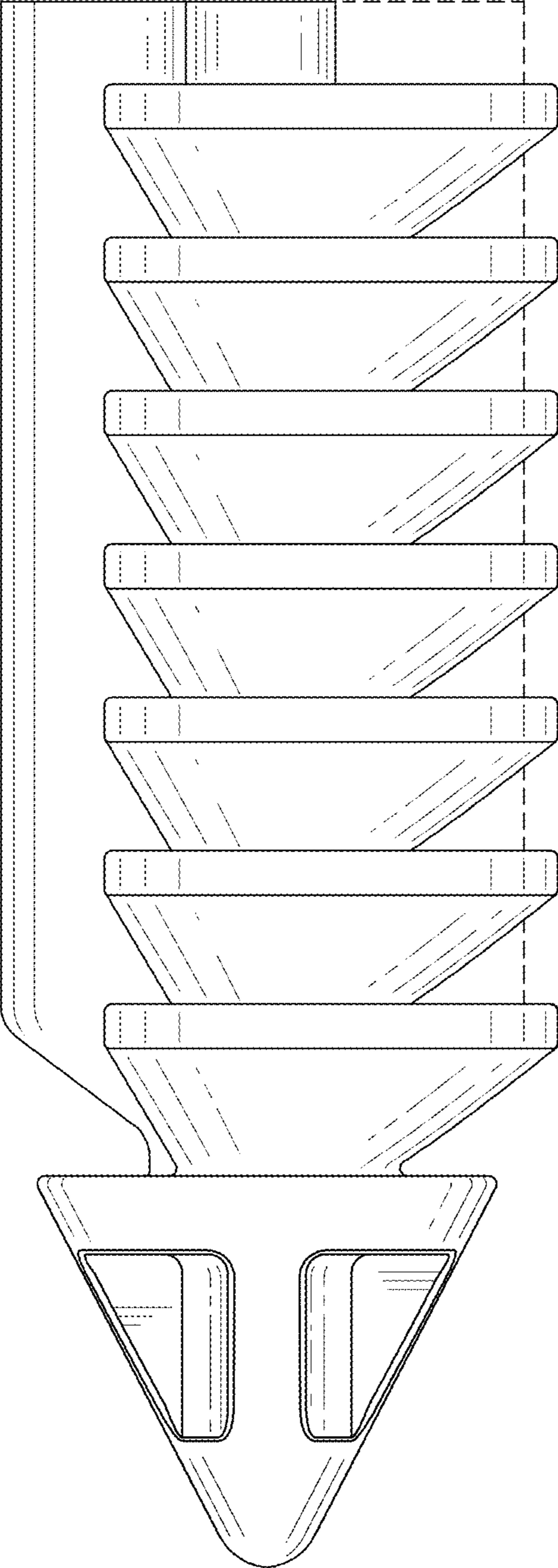


Fig-6