



US00D778714S

(12) **United States Design Patent** (10) **Patent No.:** **US D778,714 S**
McSweyn et al. (45) **Date of Patent:** **** Feb. 14, 2017**

(54) **MAGNETIC MOUNTING BRACKET WITH VENT ATTACHMENT**

(71) Applicant: **SCOSCHE INDUSTRIES, INC.**,
Oxnard, CA (US)

(72) Inventors: **Christopher Michael McSweyn**,
Oxnard, CA (US); **Vince Alves**, Oxnard,
CA (US); **Mark Larson**, Camarillo, CA
(US); **Jesse Vandiver**, Oak View, CA
(US)

(73) Assignee: **Scosche Industries, Inc.**, Oxnard, CA
(US)

D306,396 S	3/1990	Brushaber	
D317,697 S	6/1991	Lage	
D327,840 S	7/1992	Askew	
5,213,240 A	5/1993	Dietz et al.	
D362,230 S	9/1995	Yokozawa	
D362,657 S	9/1995	Tomikawa et al.	
D398,796 S *	9/1998	Fauchald D12/415
5,992,807 A	11/1999	Tarulli	
6,075,499 A	6/2000	Edwards et al.	
6,076,790 A	6/2000	Richter	
6,135,408 A	10/2000	Richter	
6,149,116 A	11/2000	Won	
6,305,656 B1	10/2001	Wemyss	
6,382,482 B1	5/2002	Chao	

(Continued)

(**) Term: **15 Years**

(21) Appl. No.: **29/544,222**

(22) Filed: **Oct. 30, 2015**

(51) **LOC (10) Cl.** **08-05**

(52) **U.S. Cl.**
USPC **D8/373; D12/415**

(58) **Field of Classification Search**
USPC D8/16, 19, 349, 354, 355, 363, 364, 366,
D8/370-373, 376, 380, 381, 382,
D8/384-386, 396; D6/553, 550, 323, 554,
D6/555, 512, 327, 324, 567, 566;
D23/223, 238, 252, 257; D11/208;
D20/15, 41, 42; D12/416, 415; D25/38.1,
D25/39, 43; D3/210, 228; D13/133,
D13/146-148, 154, 184, 199; D14/251,
D14/224

CPC B60R 11/0241; B60R 2011/0063;
B60R 2011/007; B60R 2011/0005; B60R
2011/0008; B60R 2011/0021; B60R
2011/0054; B60R 2011/0056; B60R
2011/0059; B60R 2011/0061; H04M 1/04

See application file for complete search history.

(56) **References Cited**

U.S. PATENT DOCUMENTS

3,329,277 A	7/1967	Gaudino
3,642,122 A	2/1972	Ende

OTHER PUBLICATIONS

Mounts posted by Scosche found on Sep. 27, 2016 at <http://www.scosche.com/consumer-tech/mounts>.*

(Continued)

Primary Examiner — Robert M Spear

Assistant Examiner — Eliza Bennett-Hattan

(74) *Attorney, Agent, or Firm* — Stetina Brunda Garred
and Brucker

(57) **CLAIM**

The ornamental design for a magnetic mounting bracket with vent attachment, as shown and described.

DESCRIPTION

FIG. 1 is a front perspective view showing a magnetic mounting bracket with vent attachment of the present invention with those features shown in phantom presented for exemplary purposes only:

FIG. 2 is a back perspective view thereof;

FIG. 3 is a top plan view thereof;

FIG. 4 is a front view thereof;

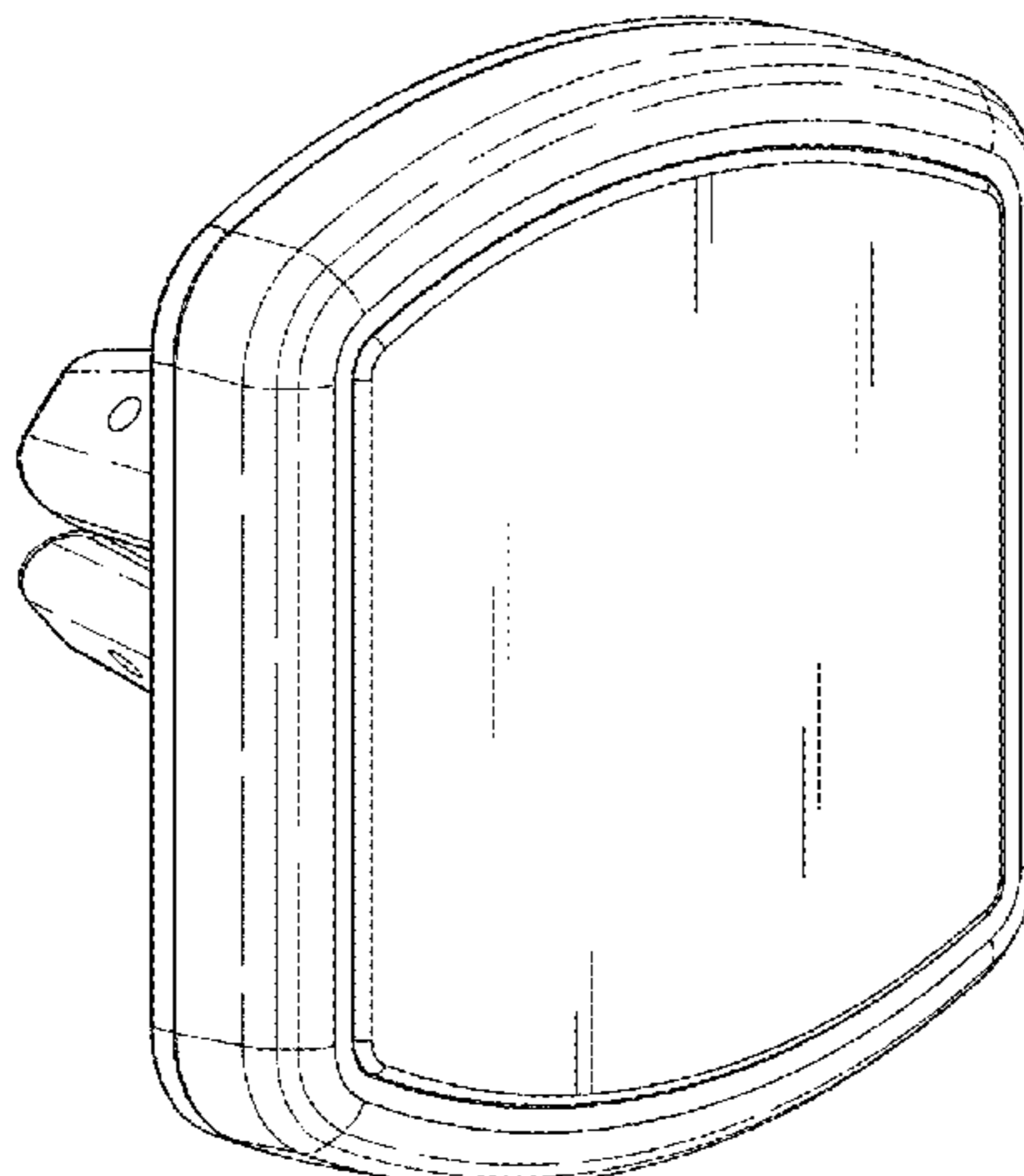
FIG. 5 is a right side thereof;

FIG. 6 is left side view thereof;

FIG. 7 is a rear view thereof; and,

FIG. 8 is a bottom view thereof.

1 Claim, 3 Drawing Sheets



(56)

References Cited

U.S. PATENT DOCUMENTS

6,502,727 B1 1/2003 Decoteau
 D479,196 S 9/2003 Shih
 D489,578 S 5/2004 Lai
 6,888,940 B1 5/2005 Deppen
 6,959,640 B2 * 11/2005 Flick A23L 2/50
 210/695
 7,021,593 B1 4/2006 Fan
 D521,850 S 5/2006 Richter et al.
 D530,333 S 10/2006 Richter
 D543,439 S 5/2007 Brassard
 D551,058 S 9/2007 Carnevali
 D552,454 S 10/2007 Fynn
 D553,959 S 10/2007 Brassard
 D554,042 S 10/2007 Richter
 D554,491 S 11/2007 Stenberg et al.
 7,296,771 B2 11/2007 Kalis et al.
 D560,592 S 1/2008 Brassard
 D561,345 S * 2/2008 Flick D23/207
 D563,309 S 3/2008 Richter
 D565,937 S 4/2008 Tsai
 7,374,142 B2 5/2008 Carnevali
 D570,836 S 6/2008 Chen
 D576,865 S 9/2008 Chiang et al.
 7,431,251 B2 10/2008 Carnevali
 D588,903 S 3/2009 Carnevali
 D590,835 S 4/2009 Richter
 D592,205 S 5/2009 O'Brien
 D600,991 S 9/2009 Lai
 D603,322 S 11/2009 Nicieja
 D609,644 S 2/2010 Lin
 D638,008 S 5/2011 Richter
 8,016,255 B2 9/2011 Lin
 D654,874 S 2/2012 Au
 D656,465 S 3/2012 Au
 D656,899 S 4/2012 Webb et al.

D670,157 S 11/2012 Mo
 D671,074 S 11/2012 Hori et al.
 D677,709 S 3/2013 Skeoch et al.
 D681,867 S 5/2013 Wegger et al.
 D686,595 S 7/2013 Andre et al.
 8,496,222 B2 7/2013 Li
 D687,441 S 8/2013 Jansen
 D690,707 S * 10/2013 Minn D14/447
 D694,249 S 11/2013 Akana et al.
 D700,175 S 2/2014 Ohm
 D705,211 S 5/2014 Huang
 D709,066 S 7/2014 Byun
 D709,072 S 7/2014 Askew-Harris et al.
 D711,322 S * 8/2014 McSweyn D13/144
 D713,398 S 9/2014 Alesi et al.
 D715,132 S 10/2014 McSweyn et al.
 D718,612 S 12/2014 McSweyn et al.
 D719,959 S 12/2014 Vogel
 D730,723 S * 6/2015 McSweyn D8/363
 D739,708 S * 9/2015 McSweyn D8/349
 D750,633 S * 3/2016 Minn D14/447
 2005/0092875 A1 5/2005 Carnevali
 2006/0290654 A1 12/2006 Wang
 2007/0018064 A1 1/2007 Wang
 2008/0023606 A1 1/2008 Kalis et al.
 2011/0192857 A1 8/2011 Rothbaum et al.
 2012/0229300 A1 9/2012 Fu
 2012/0292463 A1 11/2012 Burns
 2013/0187020 A1 7/2013 Trotsky
 2014/0346295 A1 11/2014 Song

OTHER PUBLICATIONS

The Original iMagnet Cradle-Less Universal Car Phone Windsheild Dashboard Mount Holder for iPhone 6, 6 Plus, 6S, 6S Plus, 5S 5, Galaxy S6 S5, Note 5 4 3, With Offical iMagnet LOGO, iMagnet, Amazon.com, Aug. 19, 2012.

* cited by examiner

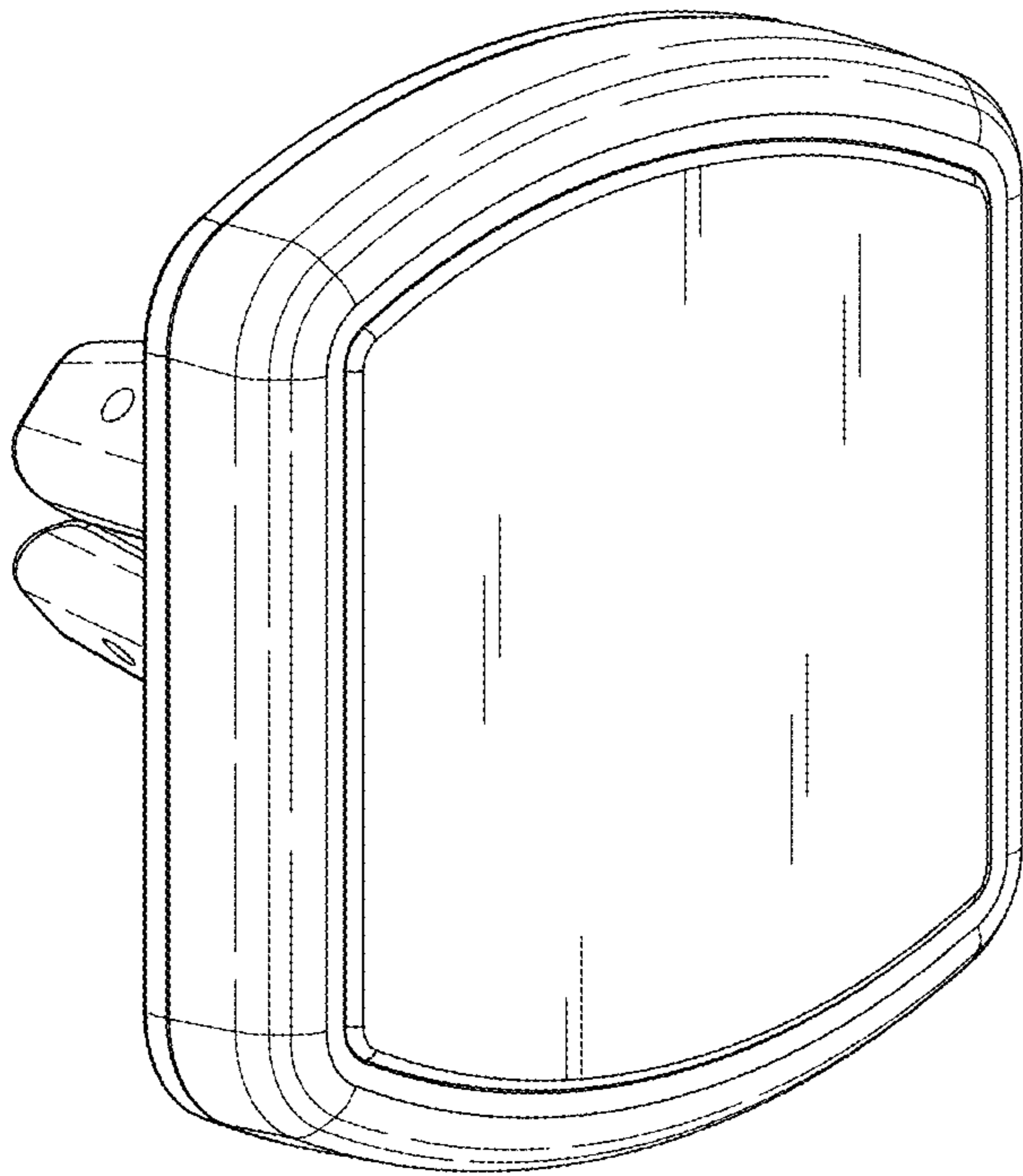


FIG. 1

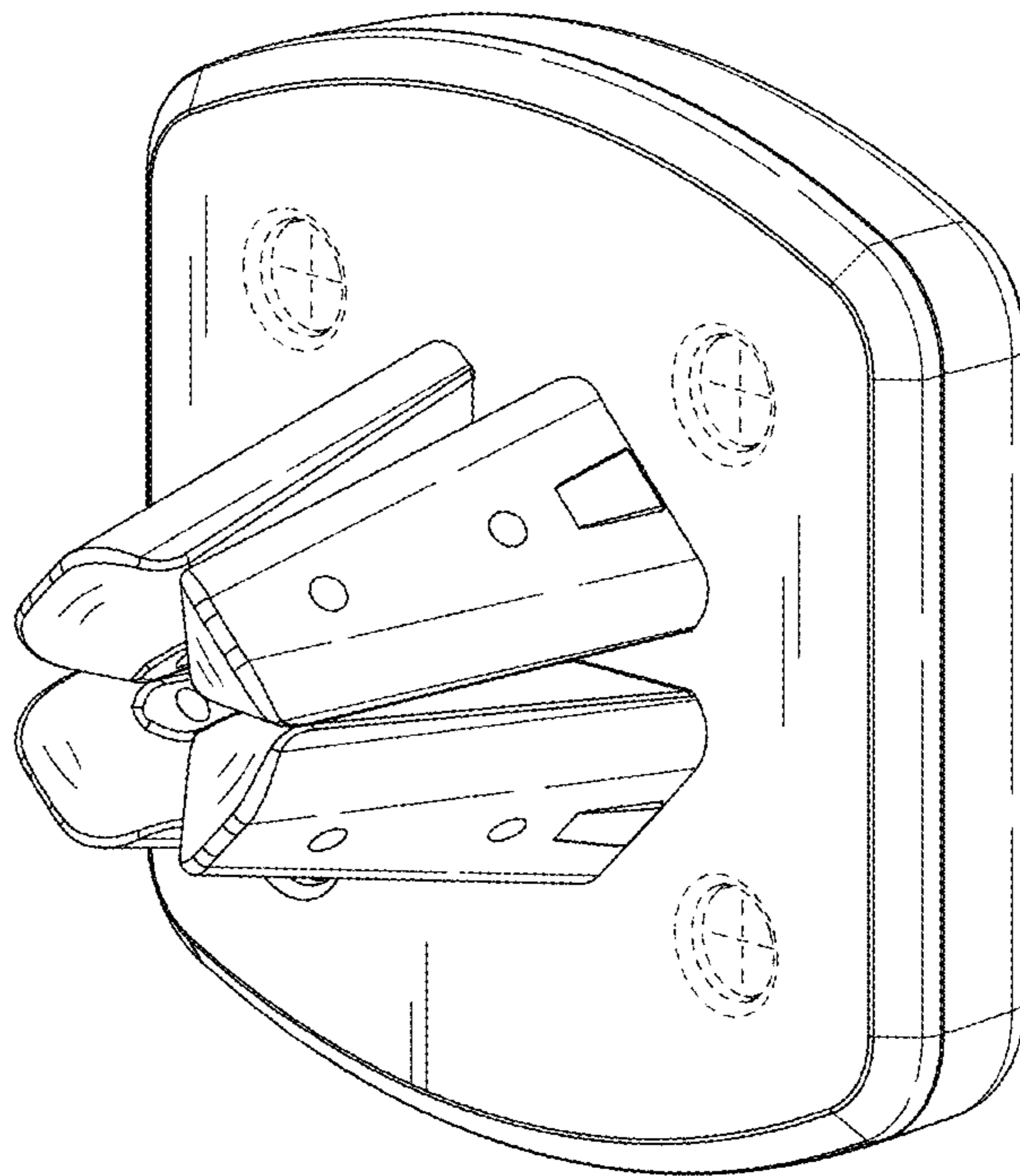


FIG. 2

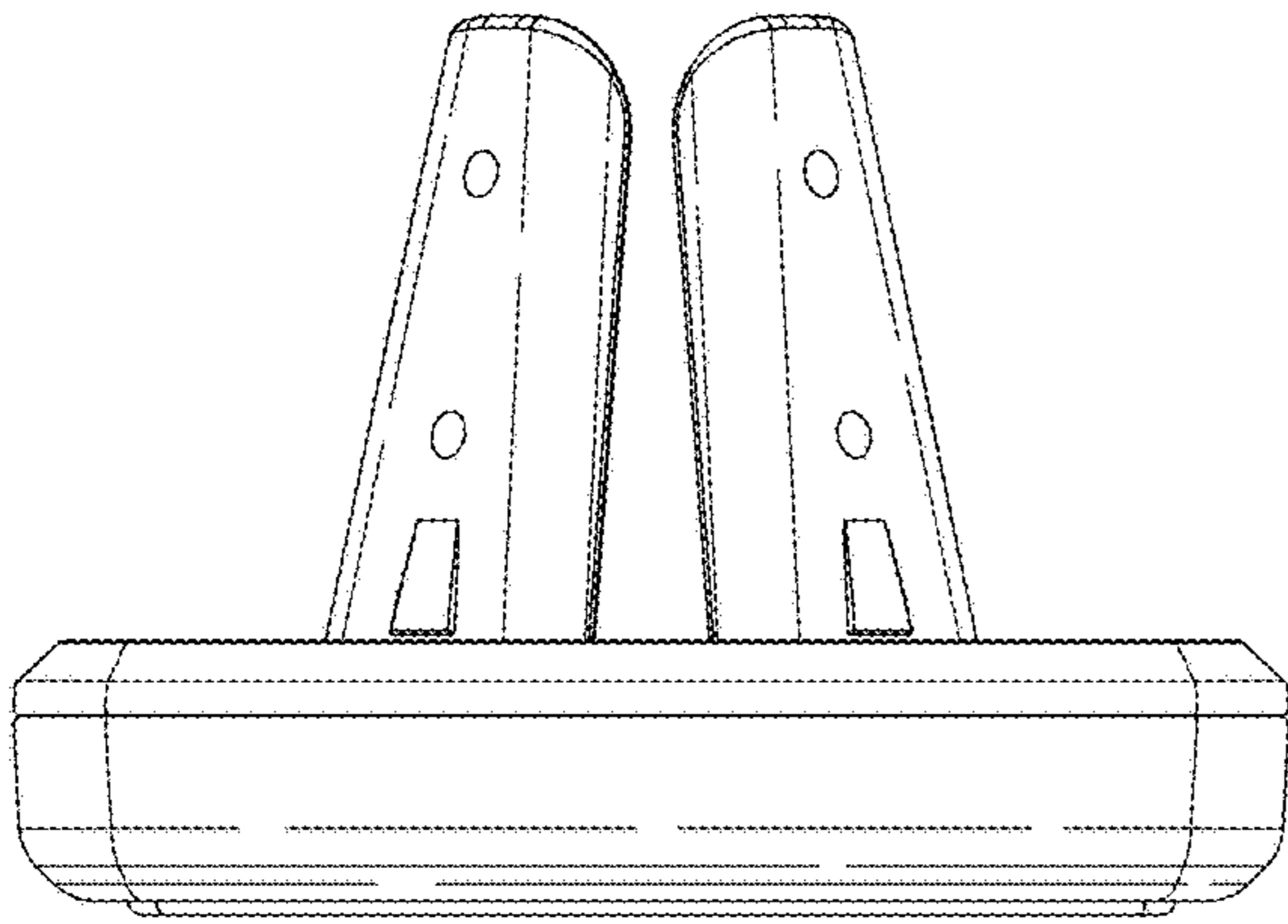


FIG. 3

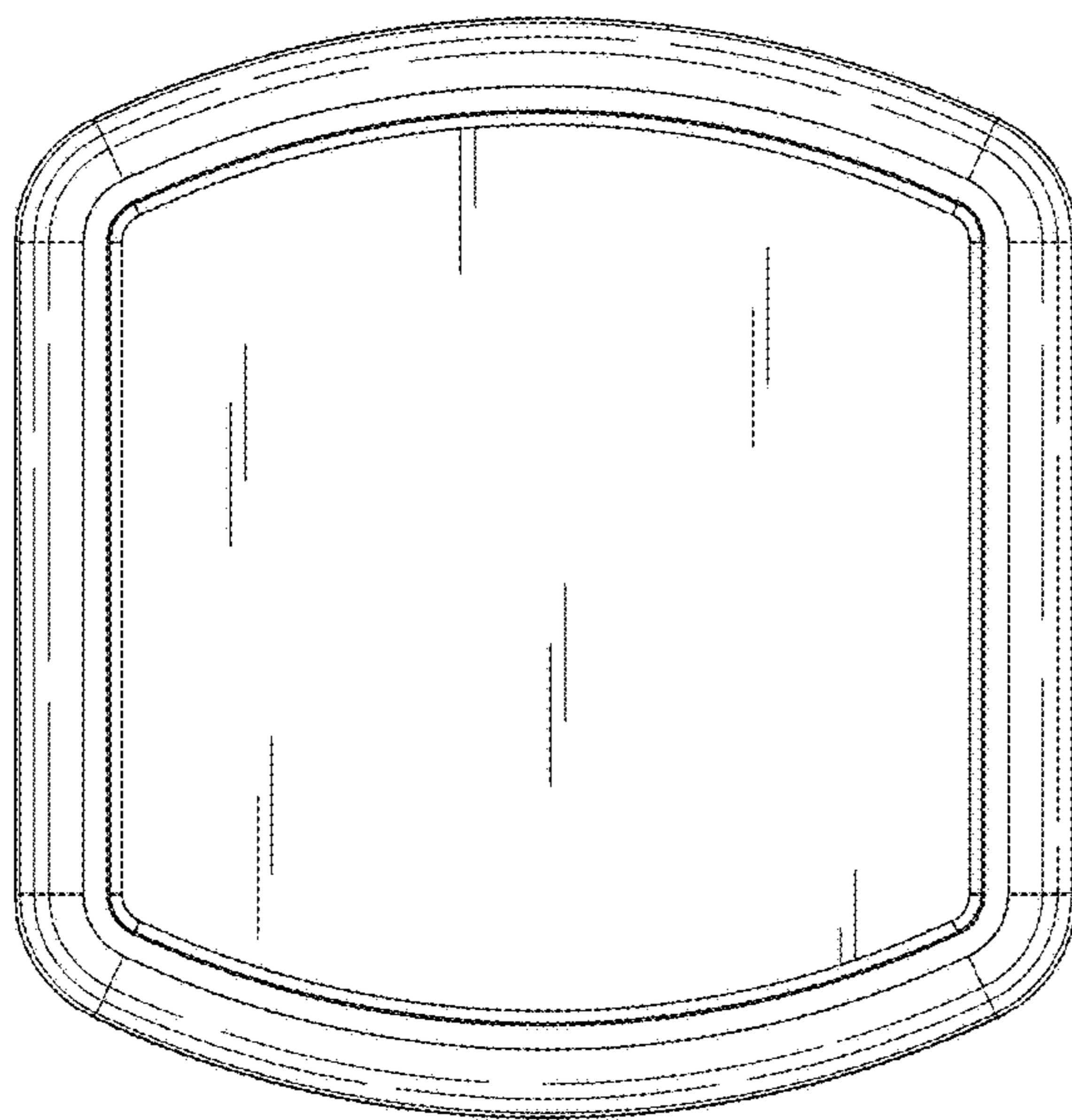


FIG. 4

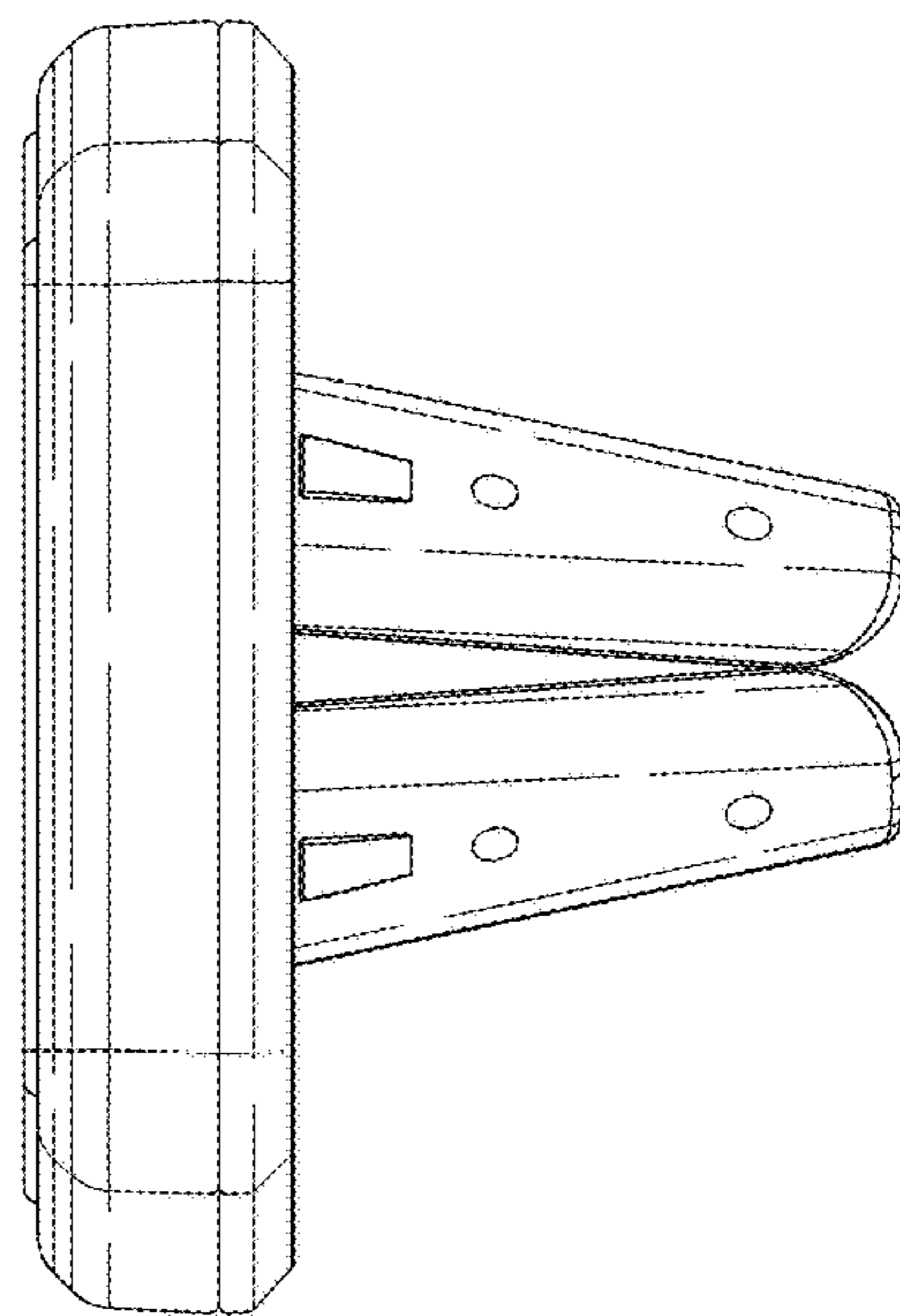


FIG. 5

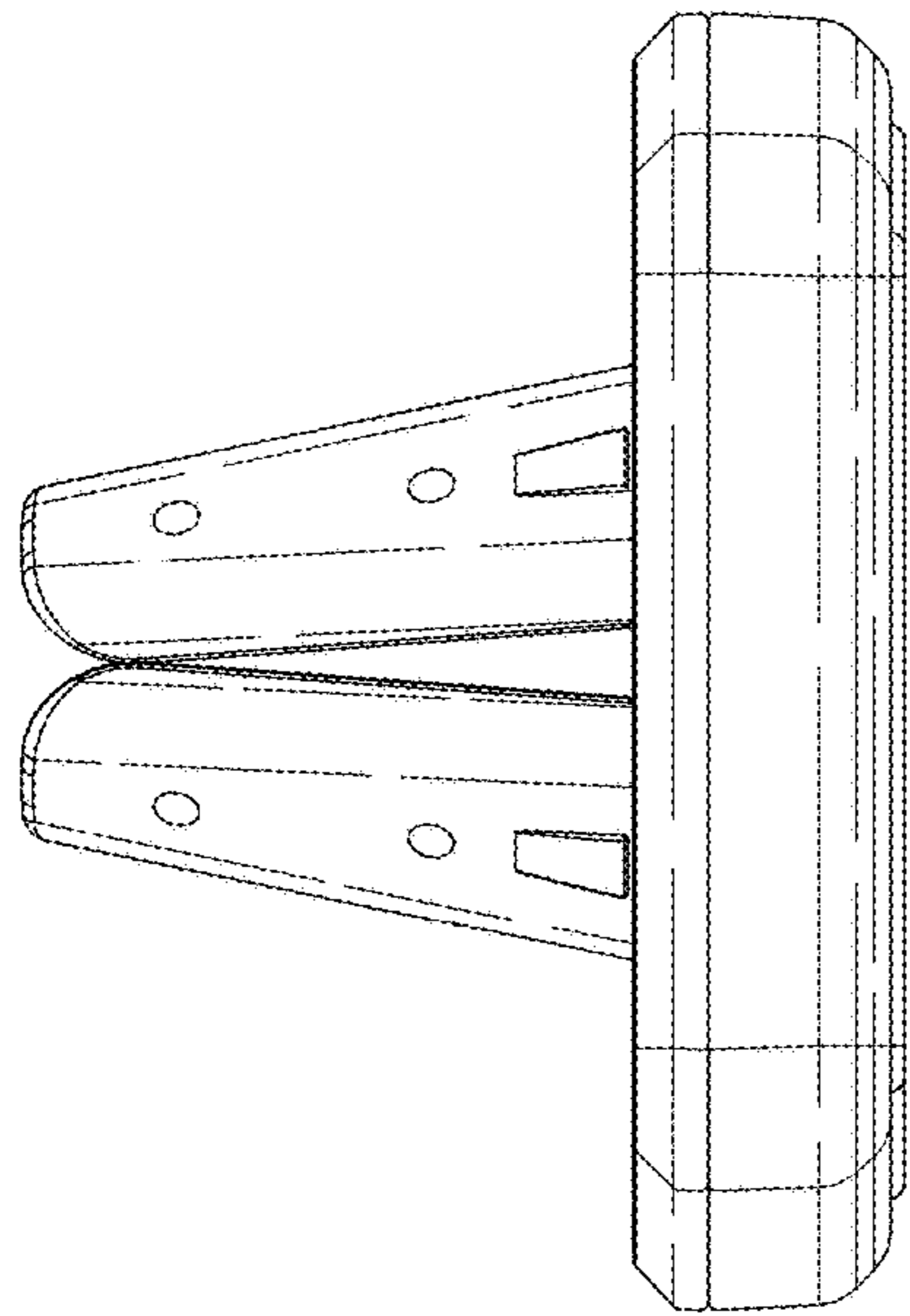


FIG. 6

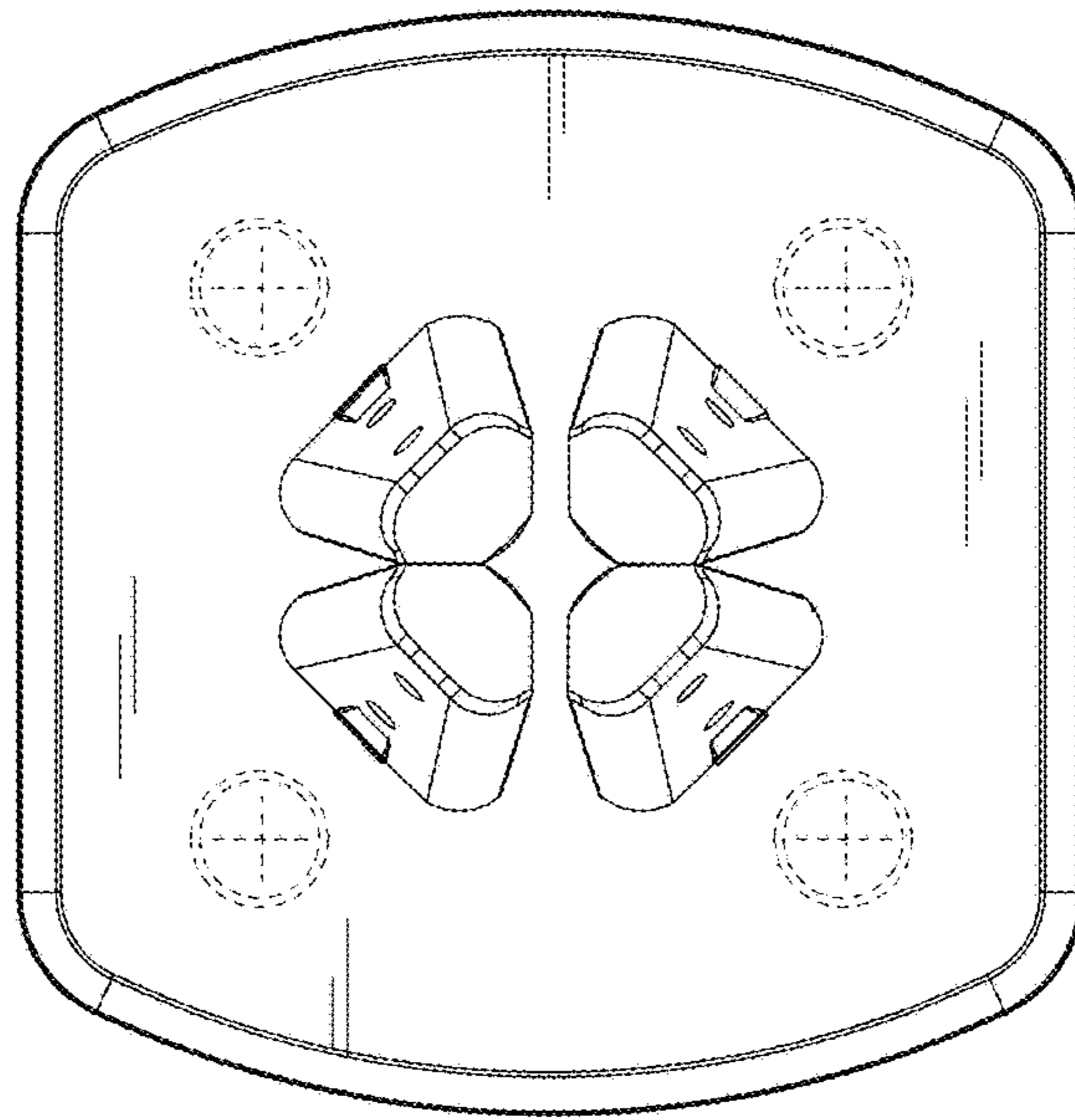


FIG. 7

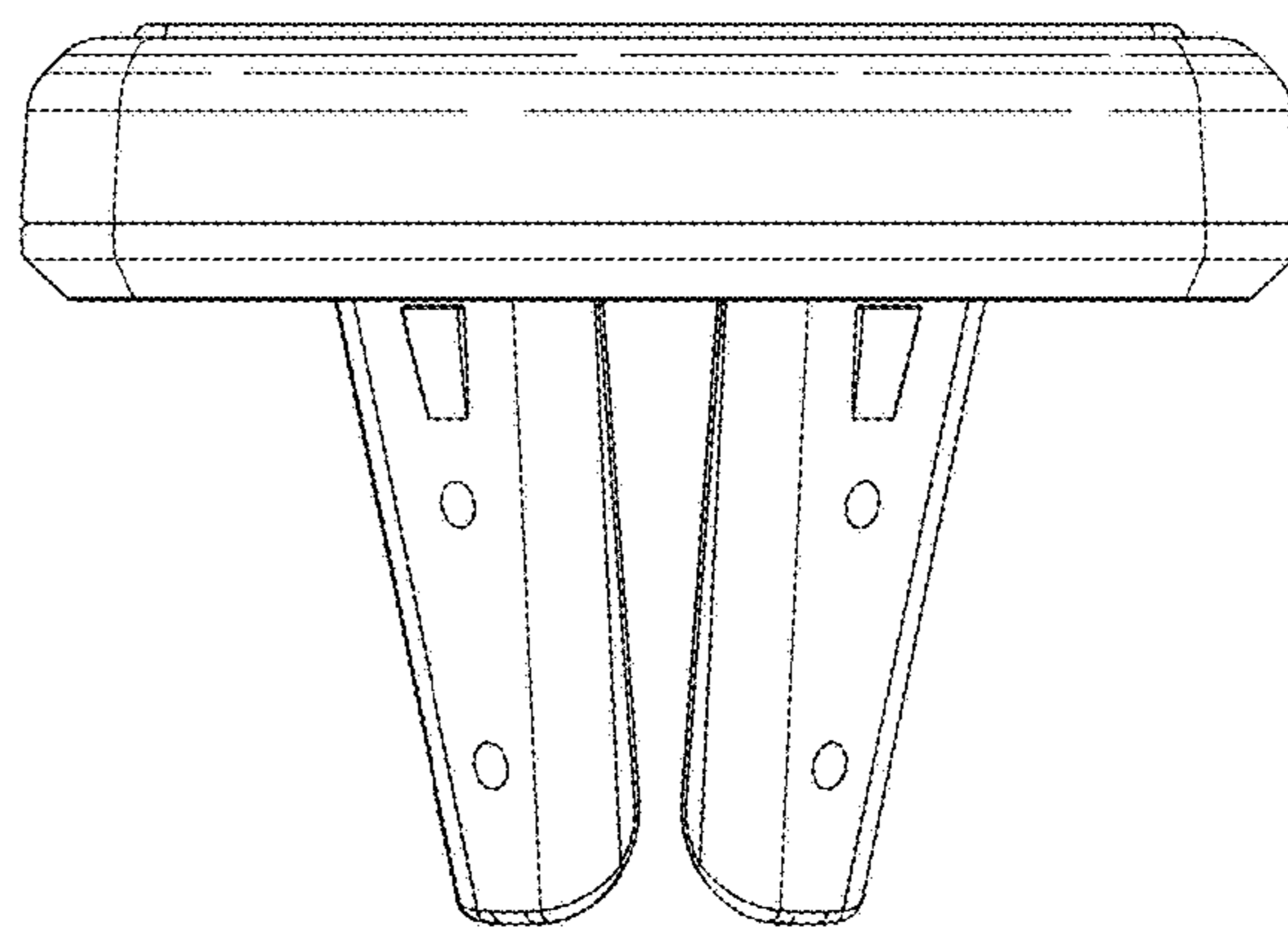


FIG. 8