



US00D778713S

(12) **United States Design Patent** (10) **Patent No.:** **US D778,713 S**  
**McSweyn et al.** (45) **Date of Patent:** **\*\* Feb. 14, 2017**

(54) **ADHESIVE ATTACHMENT FOR MAGNETIC MOUNTING BRACKET**

(71) Applicant: **SCOSCHE INDUSTRIES, INC.**,  
Oxnard, CA (US)

(72) Inventors: **Christopher Michael McSweyn**,  
Oxnard, CA (US); **Vince Alves**, Oxnard,  
CA (US); **Mark Larson**, Camarillo, CA  
(US)

(73) Assignee: **Scosche Industries, Inc.**, Oxnard, CA  
(US)

(\*\*) Term: **15 Years**

(21) Appl. No.: **29/544,143**

(22) Filed: **Oct. 30, 2015**

(51) **LOC (10) Cl.** ..... **08-05**

(52) **U.S. Cl.**  
USPC ..... **D8/363; D12/415**

(58) **Field of Classification Search**  
USPC .... D8/16, 19, 349, 354, 355, 363, 364, 366,  
D8/370-373, 376, 380, 381, 382,  
D8/384-386, 396; D6/553, 550, 323, 554,  
D6/555, 512, 327, 324, 567, 566;  
D23/223, 238, 252, 257; D11/208;  
D20/15, 41, 42; D12/416, 415; D25/38.1,  
D25/39, 43; D3/210, 228; D13/133,  
D13/146-148, 154, 184, 199; D14/251,  
D14/224

CPC ..... B60R 11/0241; B60R 2011/0063;  
B60R 2011/007; B60R 2011/0005; B60R  
2011/0008; B60R 2011/0021; B60R  
2011/0054; B60R 2011/0056; B60R  
2011/0059; B60R 2011/0061; H04M 1/04

See application file for complete search history.

(56) **References Cited**

**U.S. PATENT DOCUMENTS**

3,329,277 A 7/1967 Gaudino  
3,642,122 A 2/1972 Ende

D306,396 S 3/1990 Brushaber  
D317,697 S 6/1991 Lage  
D327,840 S 7/1992 Askew  
5,213,240 A 5/1993 Dietz et al.  
D362,230 S 9/1995 Yokozawa  
D362,657 S 9/1995 Tomikawa et al.  
D398,796 S \* 9/1998 Fauchald ..... D12/415  
5,992,807 A 11/1999 Tarulli  
6,075,499 A 6/2000 Edwards et al.  
6,076,790 A 6/2000 Richter  
6,135,408 A \* 10/2000 Richter ..... B60R 11/00  
224/183

6,149,116 A 11/2000 Won  
(Continued)

**OTHER PUBLICATIONS**

Mounts posted by Scosche found on Sep. 27, 2016 at <http://www.scosche.com/consumer-tech/mounts>.\*

(Continued)

*Primary Examiner* — Robert M Spear

*Assistant Examiner* — Eliza Bennett-Hattan

(74) *Attorney, Agent, or Firm* — Stetina Brunda Garred  
and Brucker

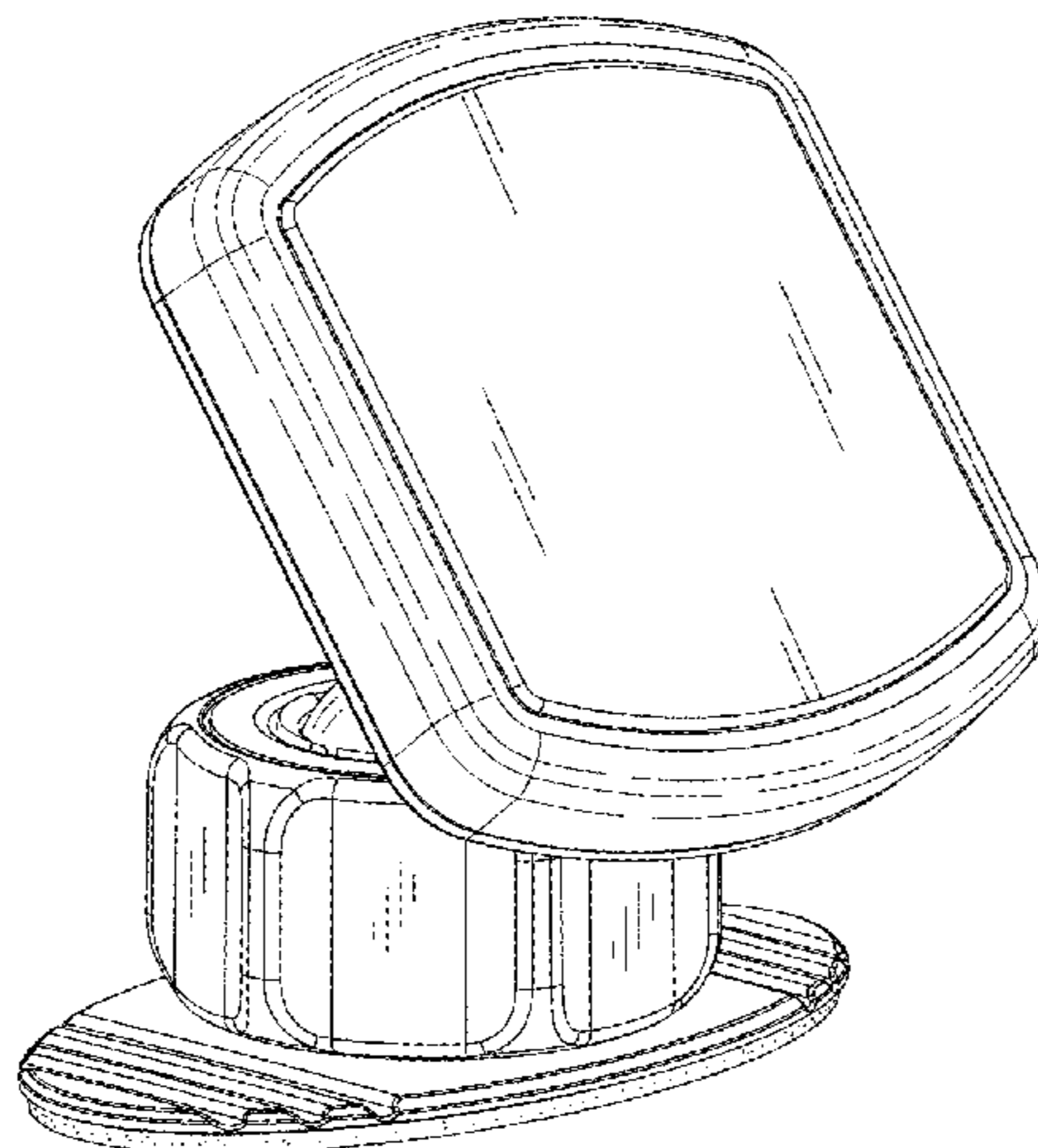
(57) **CLAIM**

The ornamental design for an adhesive attachment for magnetic mounting bracket, as shown and described.

**DESCRIPTION**

FIG. 1 is a front perspective view showing a first embodiment of the adhesive attachment for magnetic mounting bracket of the present invention with those features shown in phantom presented for exemplary purposes only  
FIG. 2 is a back perspective view thereof;  
FIG. 3 is a top plan view thereof;  
FIG. 4 is a front view thereof;  
FIG. 5 is a left side thereof;  
FIG. 6 is right side view thereof;  
FIG. 7 is a rear view thereof; and,  
FIG. 8 is a bottom view thereof.

**1 Claim, 3 Drawing Sheets**



(56)

References Cited

U.S. PATENT DOCUMENTS

6,305,656 B1 \* 10/2001 Wemyss ..... A47G 23/0216  
206/5  
6,382,482 B1 5/2002 Chao  
6,502,727 B1 1/2003 Decoteau  
D479,196 S 9/2003 Shih  
D489,578 S 5/2004 Lai  
6,888,940 B1 5/2005 Deppen  
6,959,640 B2 \* 11/2005 Flick ..... A23L 2/50  
210/695  
7,021,593 B1 4/2006 Fan  
D521,850 S 5/2006 Richter et al.  
D530,333 S 10/2006 Richter  
D543,439 S 5/2007 Brassard  
D551,058 S 9/2007 Carnevali  
D552,454 S 10/2007 Fynn  
D553,959 S 10/2007 Brassard  
D554,042 S 10/2007 Richter  
D554,491 S 11/2007 Stenberg et al.  
7,296,771 B2 11/2007 Kalis et al.  
D560,592 S 1/2008 Brassard  
D561,345 S \* 2/2008 Flick ..... D23/207  
D563,309 S 3/2008 Richter  
D565,937 S 4/2008 Tsai  
7,374,142 B2 5/2008 Carnevali  
D570,836 S \* 6/2008 Chen ..... D14/253  
D576,865 S 9/2008 Chiang et al.  
7,431,251 B2 10/2008 Carnevali  
D588,903 S 3/2009 Carnevali  
D590,835 S 4/2009 Richter  
D592,205 S 5/2009 O'Brien  
D600,991 S 9/2009 Lai  
D603,322 S 11/2009 Nicieja  
D609,644 S 2/2010 Lin  
D638,008 S 5/2011 Richter  
8,016,255 B2 9/2011 Lin  
D654,874 S 2/2012 Au

D656,465 S 3/2012 Au  
D656,899 S 4/2012 Webb et al.  
D670,157 S 11/2012 Mo  
D671,074 S 11/2012 Hori et al.  
D677,709 S 3/2013 Skeoch et al.  
D681,867 S 5/2013 Wegger et al.  
D686,595 S 7/2013 Andre et al.  
8,496,222 B2 7/2013 Li  
D687,441 S 8/2013 Jansen  
D694,249 S 11/2013 Akana et al.  
D700,175 S 2/2014 Ohm  
D705,211 S 5/2014 Huang  
D709,066 S 7/2014 Byun  
D709,072 S 7/2014 Askew-Harris et al.  
D711,322 S \* 8/2014 McSweyn ..... D13/144  
D713,398 S 9/2014 Alesi et al.  
D715,132 S \* 10/2014 McSweyn ..... D8/363  
D718,612 S \* 12/2014 McSweyn ..... D8/363  
D719,959 S 12/2014 Vogel  
D730,723 S \* 6/2015 McSweyn ..... D8/363  
D739,708 S \* 9/2015 McSweyn ..... D8/349  
2005/0092875 A1 5/2005 Carnevali  
2006/0290654 A1 12/2006 Wang  
2007/0018064 A1 1/2007 Wang  
2008/0023606 A1 1/2008 Kalis et al.  
2011/0192857 A1 \* 8/2011 Rothbaum ..... B25F 1/00  
220/694  
2012/0229300 A1 9/2012 Fu  
2012/0292463 A1 11/2012 Burns  
2013/0187020 A1 7/2013 Trotsky  
2014/0346295 A1 11/2014 Song

OTHER PUBLICATIONS

The Original iMagnet Cradle-Less Universal Car Phone Windsheild Dashboard Mount Holder for iPhone 6, 6 Plus, 6S, 6S Plus, 5S 5, Galaxy S6 S5, Note 5 4 3, With Offical iMagnet Logo, iMagnet, Amazon.com, Aug. 19, 2012.

\* cited by examiner

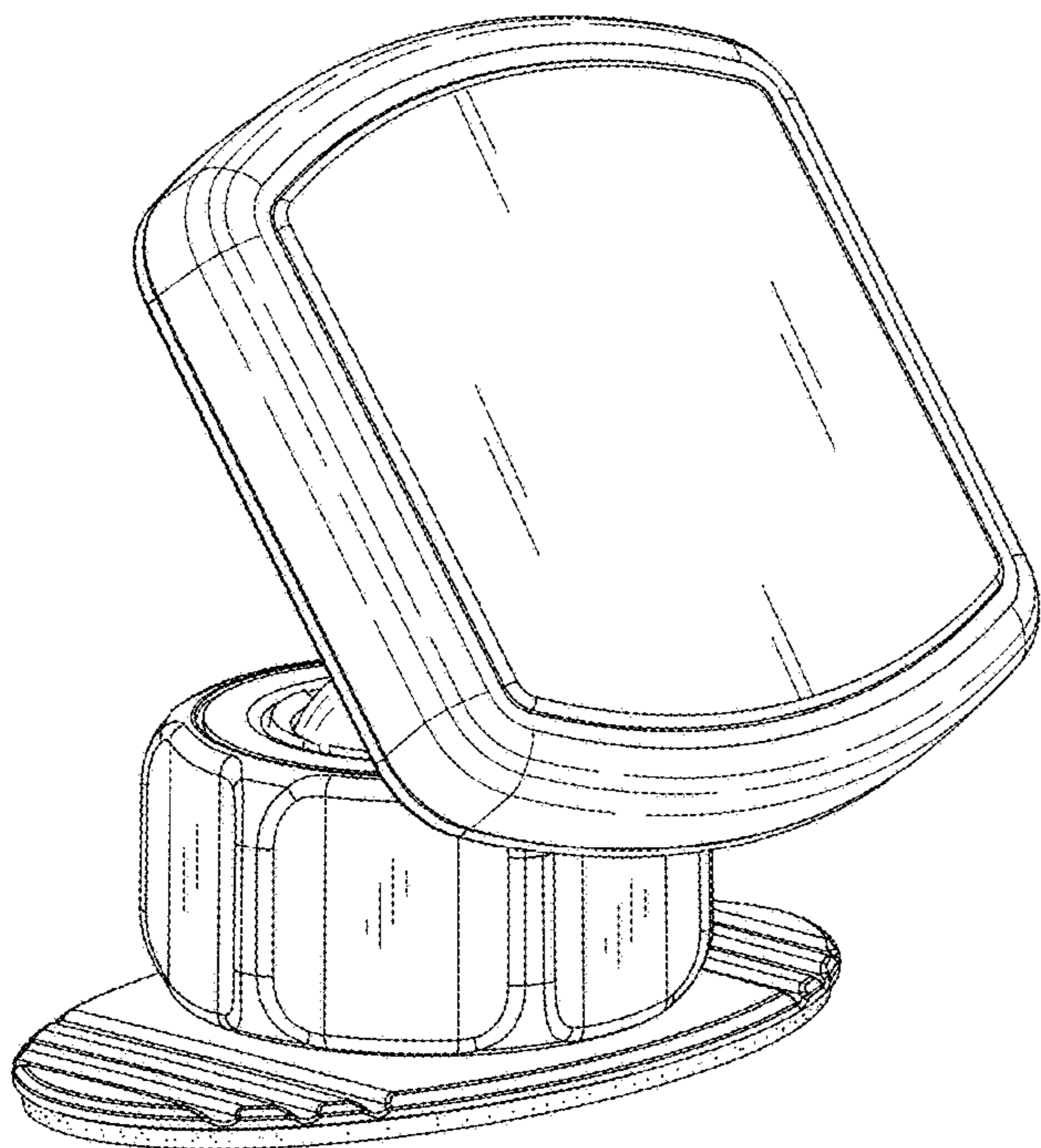


FIG. 1

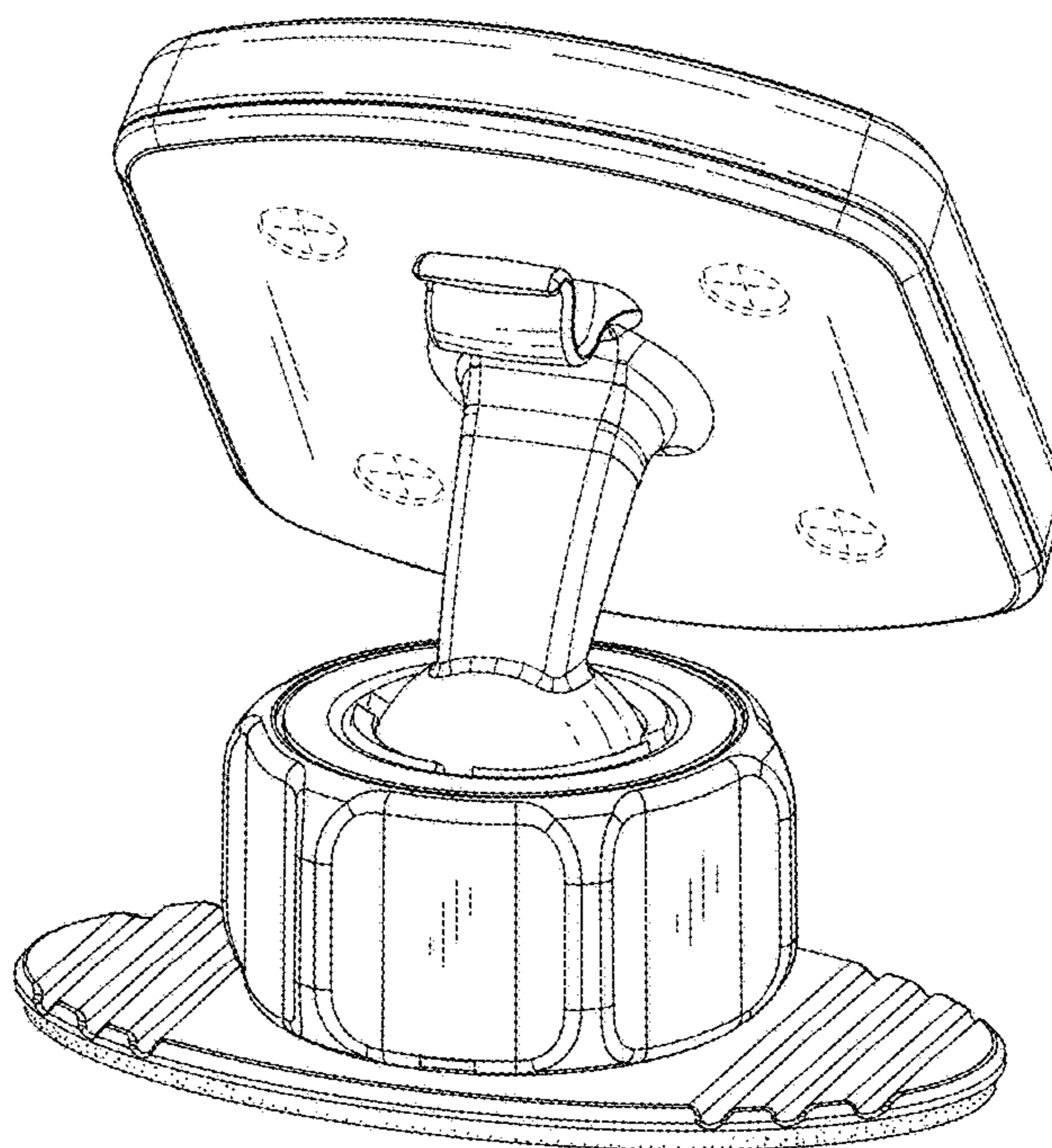


FIG. 2

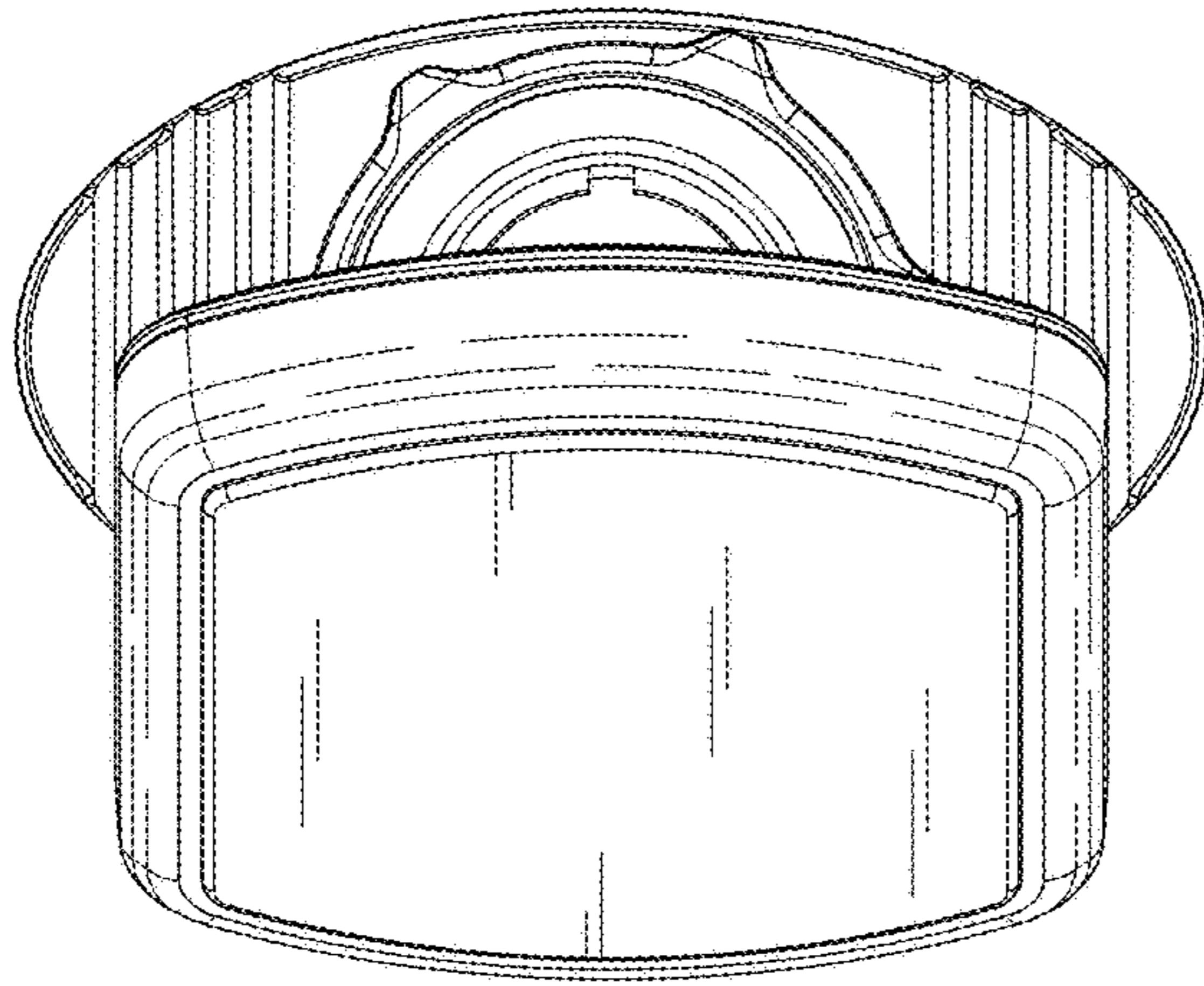


FIG. 3

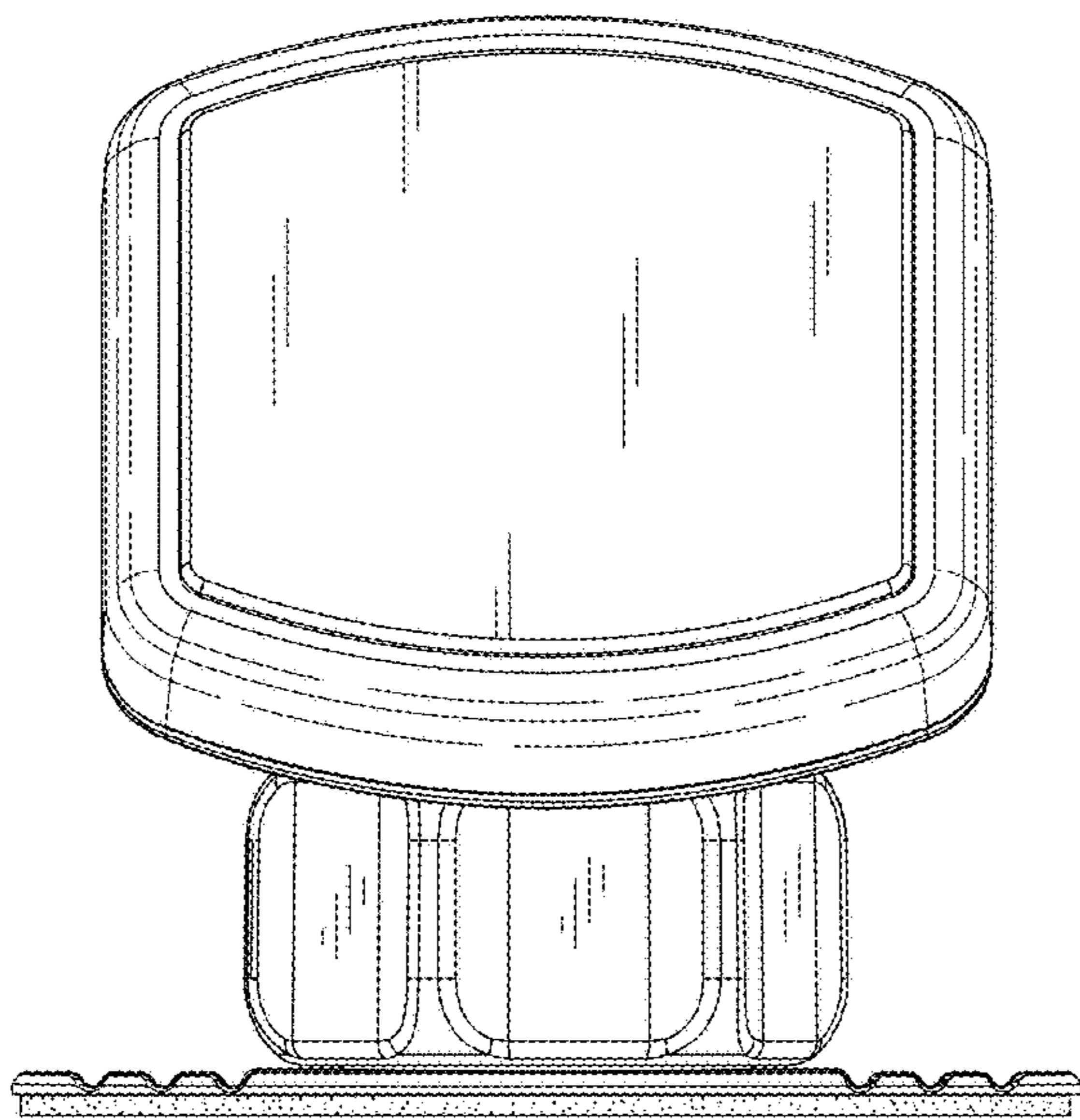


FIG. 4

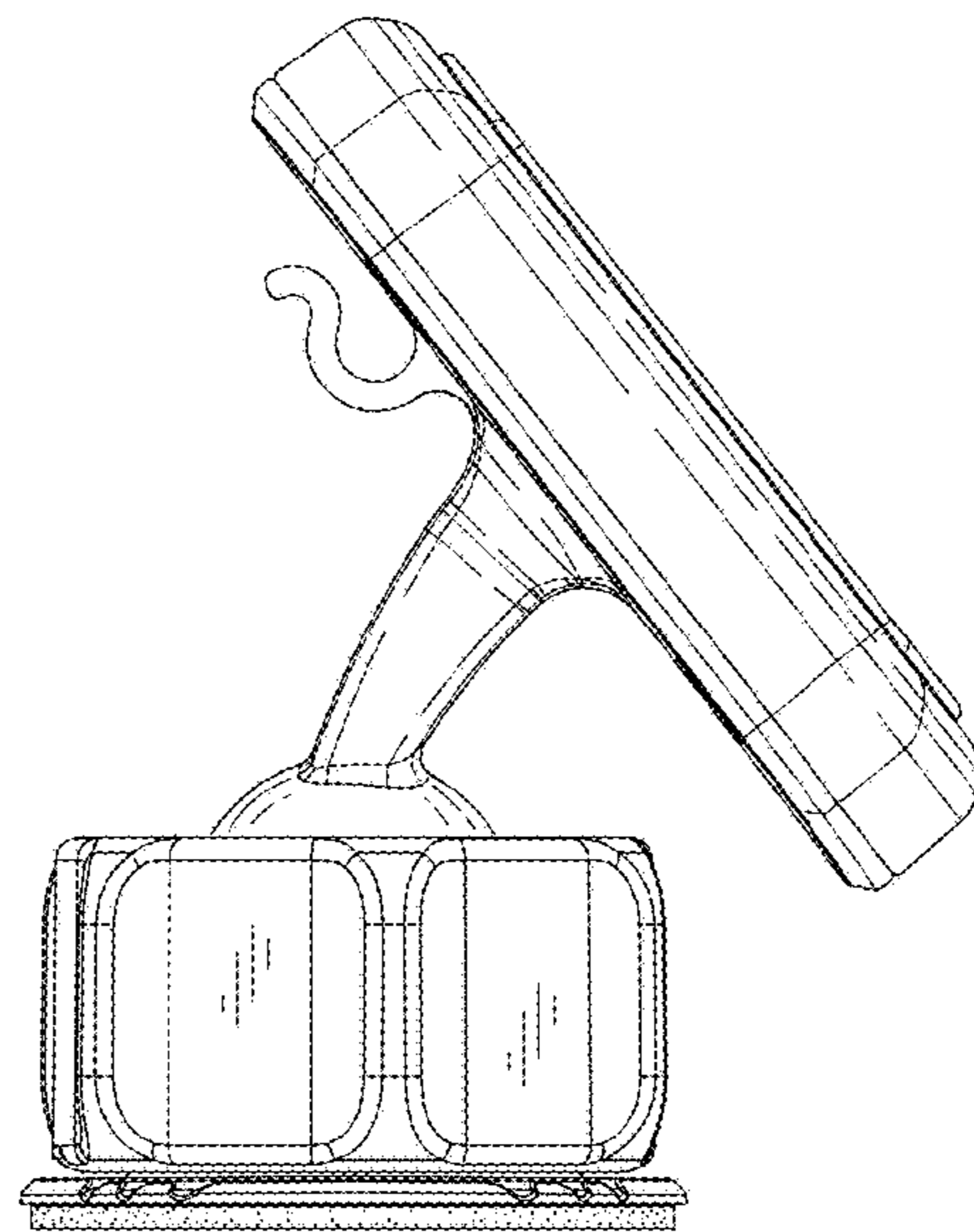


FIG. 5

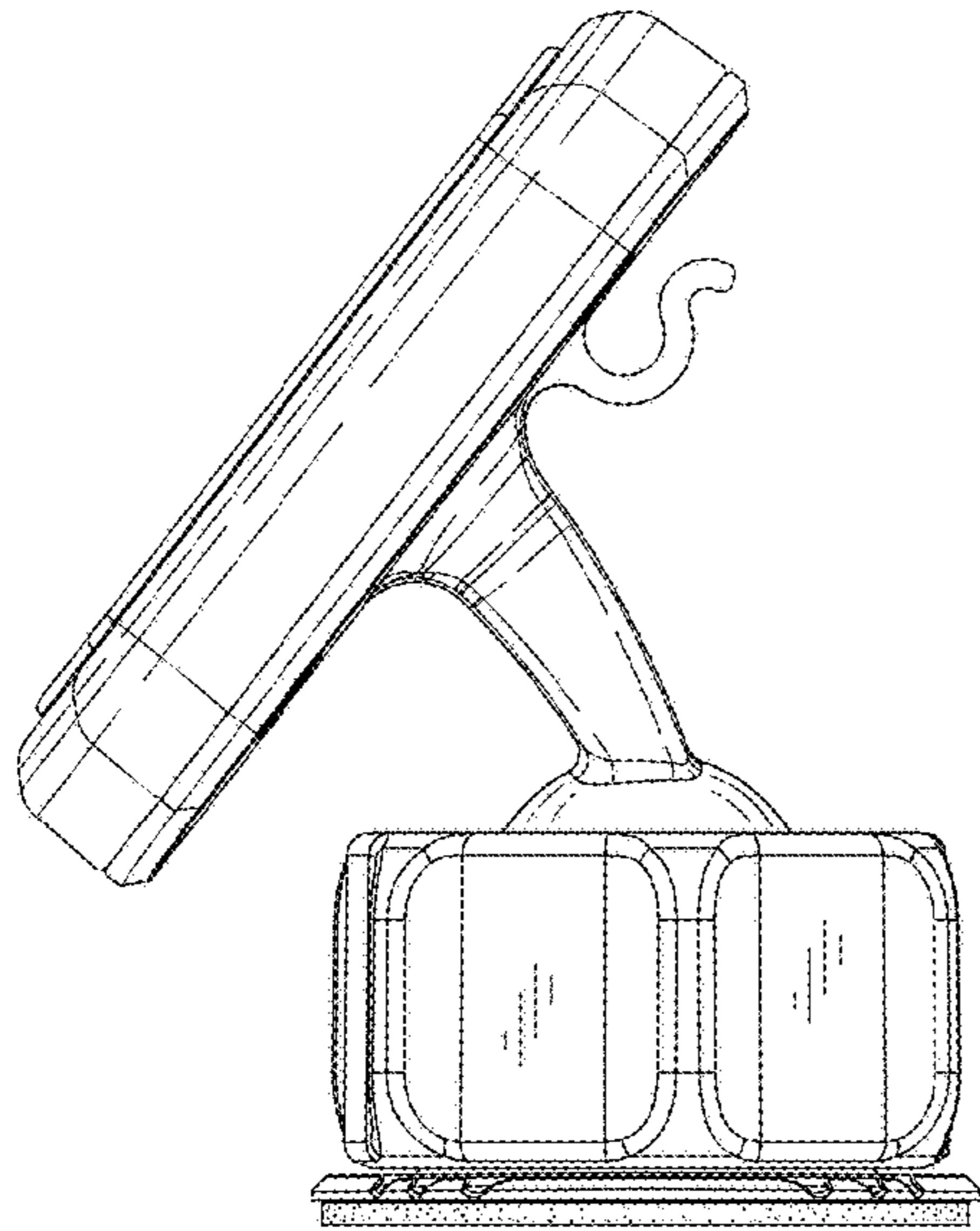


FIG. 6

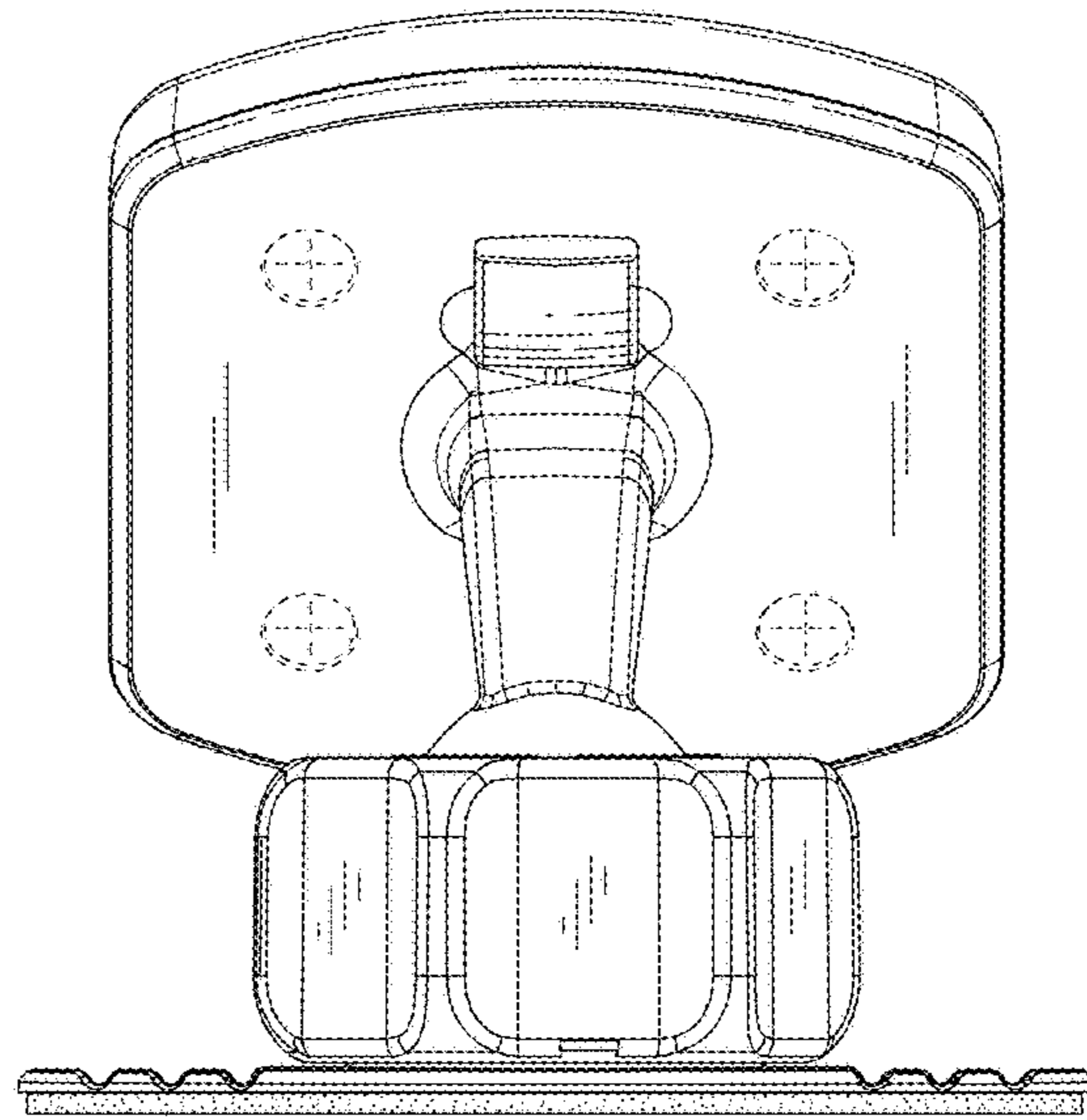


FIG. 7

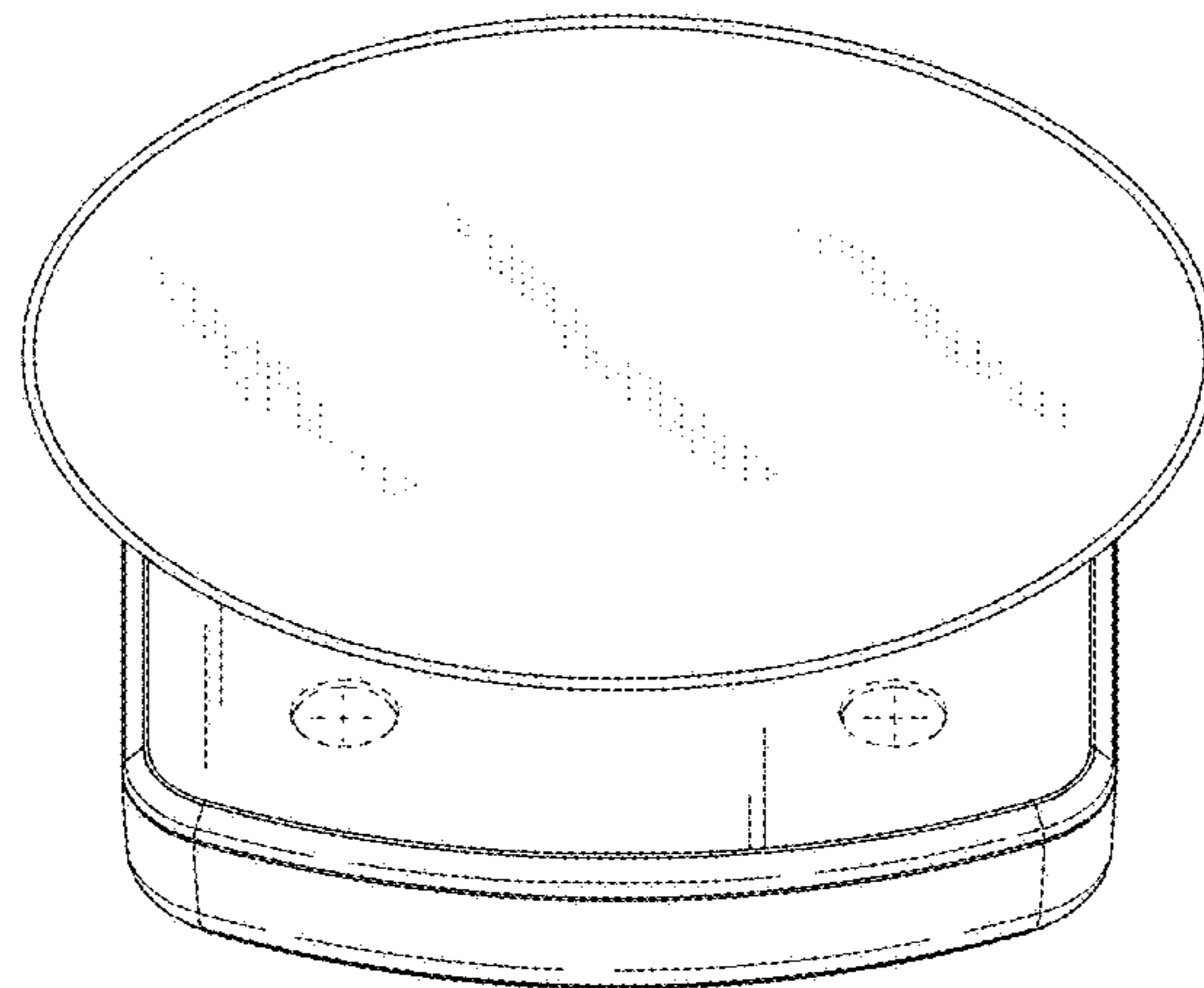


FIG. 8