



US00D778711S

(12) **United States Design Patent** (10) **Patent No.:** **US D778,711 S**
Dycus (45) **Date of Patent:** **** Feb. 14, 2017**

(54) **ELASTIC STRAPPING CORD FRICTION PAD**

D724,413 S * 3/2015 Hamilton D8/356
D728,351 S * 5/2015 Martinson D8/373
D728,352 S * 5/2015 Martinson D8/373
D749,409 S * 2/2016 Martinson D8/396
D762,107 S * 7/2016 French D8/367

(71) Applicant: **Paula K. Dycus**, Corsicana, TX (US)

(72) Inventor: **Paula K. Dycus**, Corsicana, TX (US)

* cited by examiner

(**) Term: **15 Years**

Primary Examiner — Cynthia Underwood

(21) Appl. No.: **29/554,415**

(74) *Attorney, Agent, or Firm* — Mitchell Law PLLC;
Matthew W. Mitchell

(22) Filed: **Feb. 11, 2016**

(51) **LOC (10) Cl.** **08-05**

(57) **CLAIM**

(52) **U.S. Cl.**
USPC **D8/356**

The ornamental design for an elastic strapping cord friction pad, as shown.

(58) **Field of Classification Search**

DESCRIPTION

USPC D8/356, 354, 349; 381/384
CPC E02D 5/803; B63B 21/045; B63B 59/02;
B60D 1/18; B60P 7/0823; A44B 13/0029;
H04R 1/1033; H04R 1/103; Y10T
24/3918

See application file for complete search history.

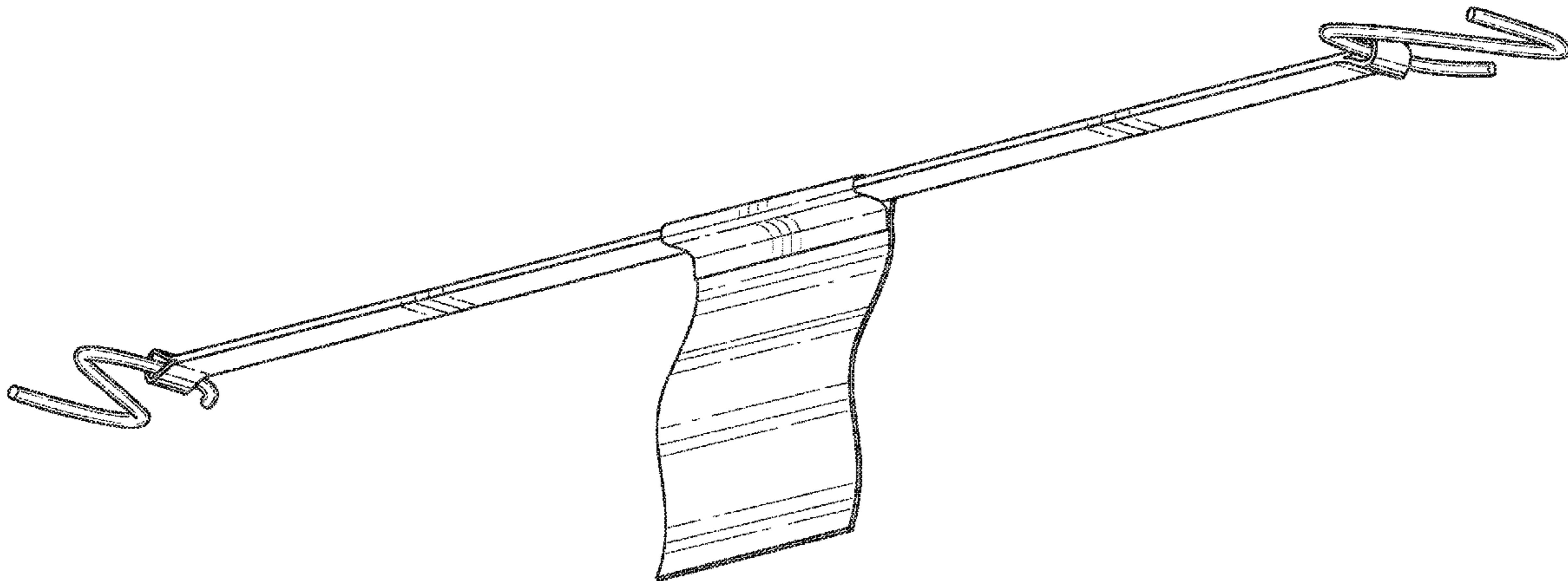
FIG. 1 is a front isometric view of the elastic strapping cord friction pad of the present invention;
FIG. 2 is a front view of the invention of FIG. 1;
FIG. 3 is a back view of the invention of FIG. 1;
FIG. 4 is a top plan view in elevation of the invention of FIG. 1;
FIG. 5 is a bottom plan view of the invention of FIG. 1;
FIG. 6 is an enlarged side view of the invention of FIG. 1, as seen from the left side of FIG. 2; and,
FIG. 7 is an enlarged side view of the invention of FIG. 1, as seen from the right side of FIG. 2.

(56) **References Cited**

U.S. PATENT DOCUMENTS

7,275,396 B2 * 10/2007 MacHock A44C 7/009
24/298
D554,977 S * 11/2007 Ravoy, Jr. D8/354
D614,018 S * 4/2010 McClanahan D8/356
D618,536 S * 6/2010 Eason D8/349
D700,826 S * 3/2014 Qin D8/367

1 Claim, 4 Drawing Sheets



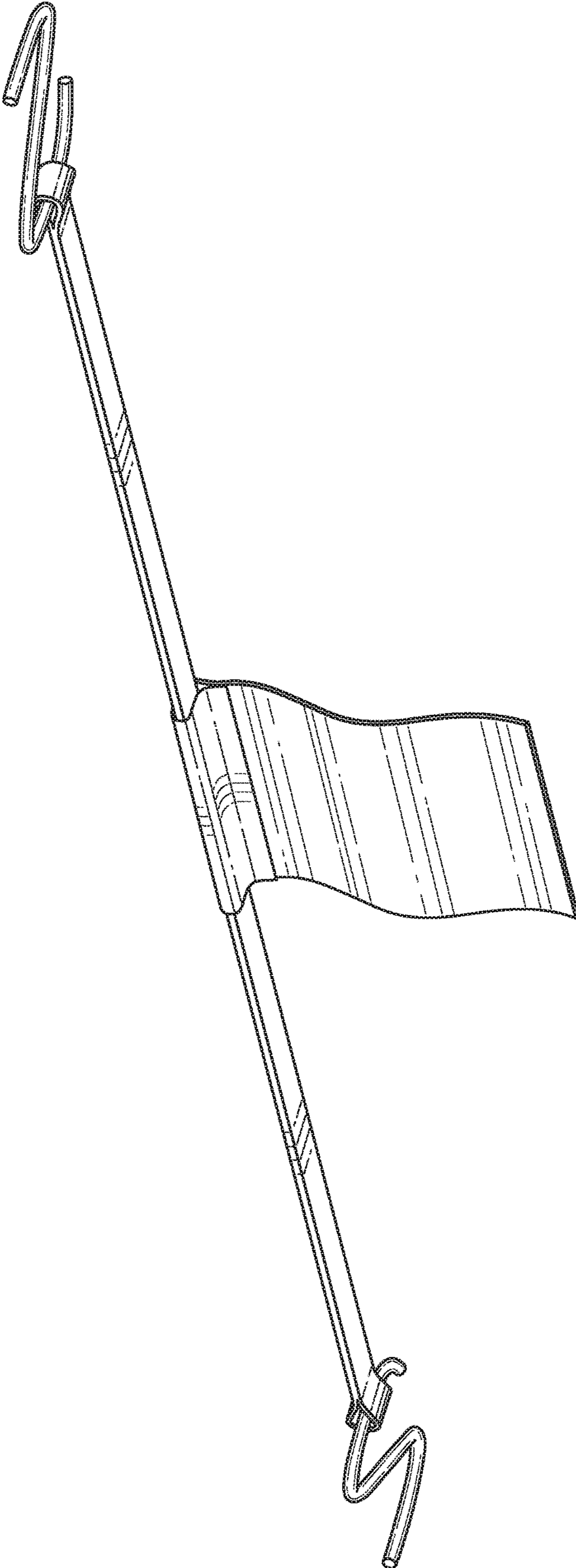


FIG. 1

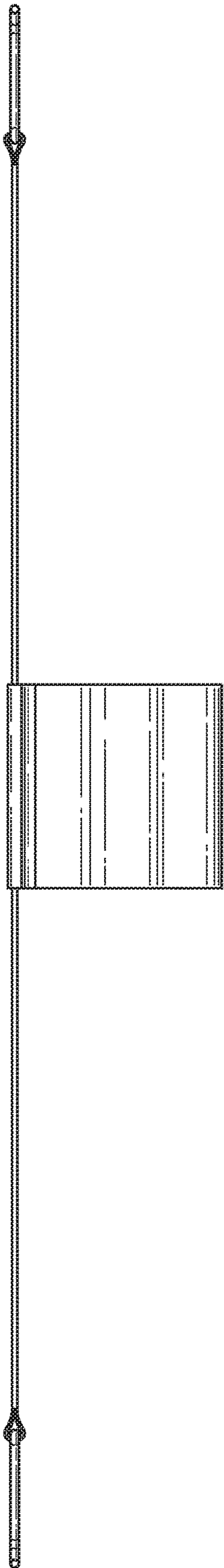


FIG. 2

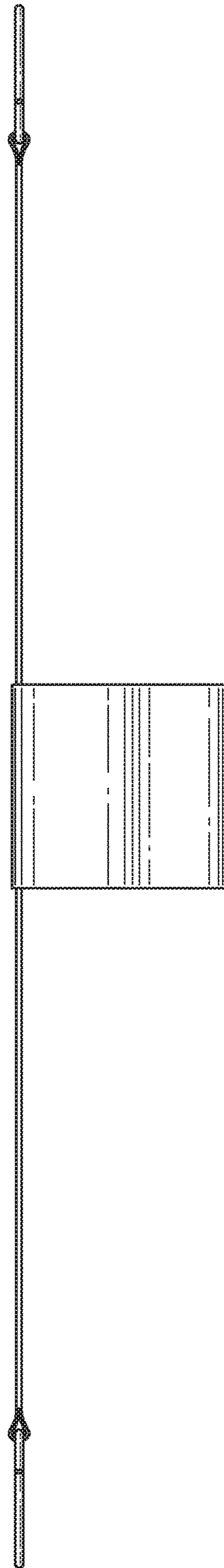


FIG. 3

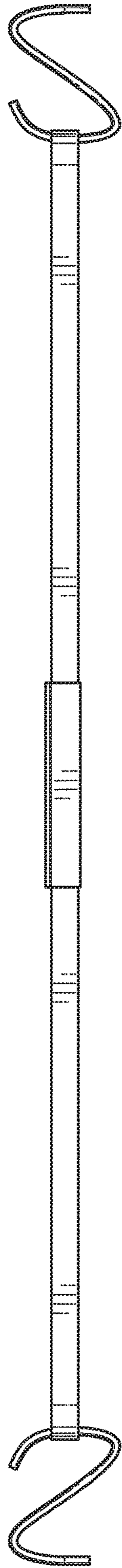


FIG. 4

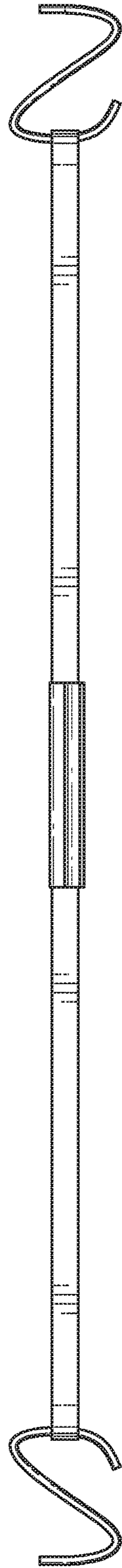


FIG. 5



FIG. 6

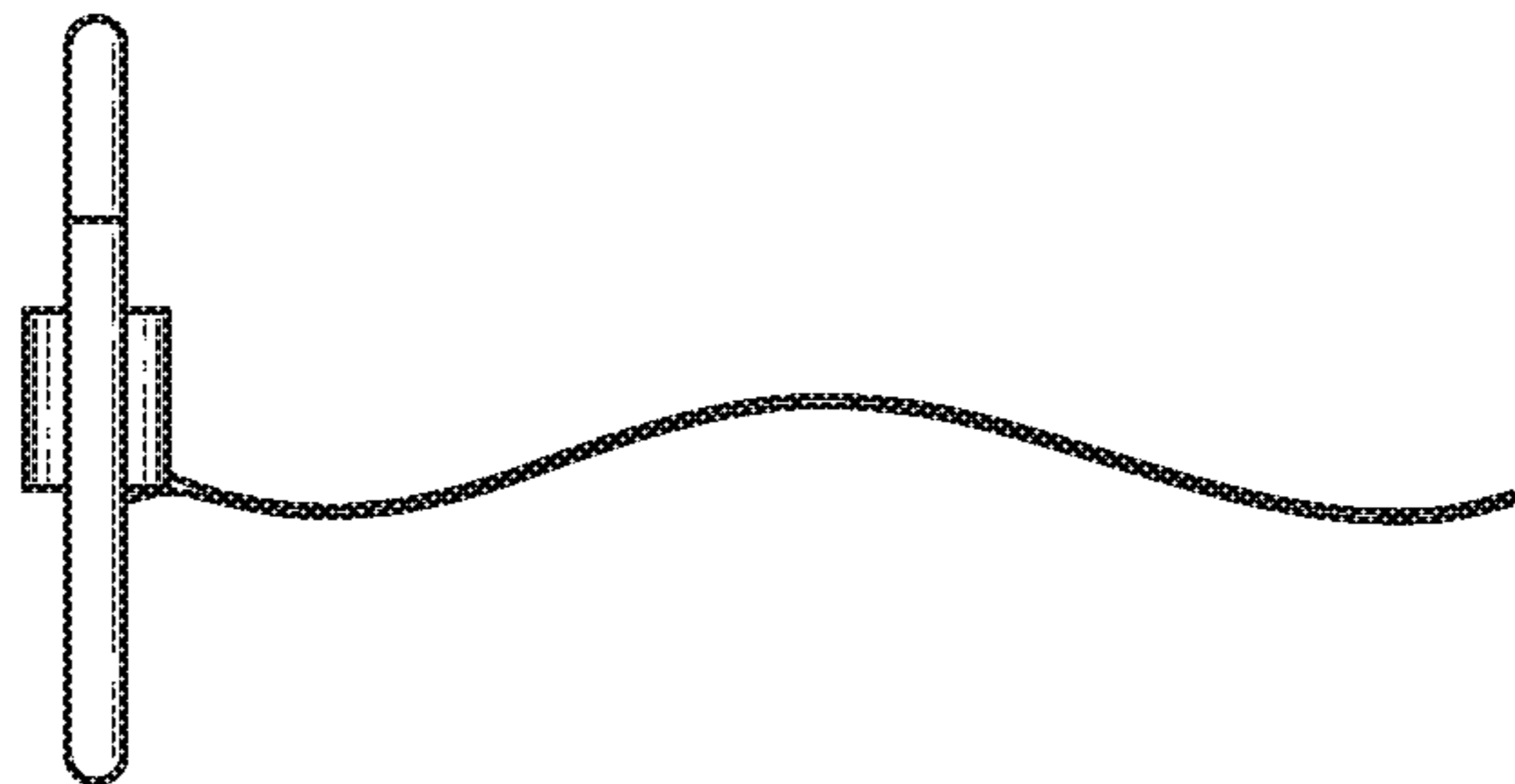


FIG. 7