



US00D778710S

(12) **United States Design Patent**
Nagayasu et al.

(10) **Patent No.:** **US D778,710 S**
(45) **Date of Patent:** **** Feb. 14, 2017**

(54) **CABLE TIE**

5,267,373 A 12/1993 Chisek
D372,665 S 8/1996 Kim
5,601,261 A 2/1997 Koike

(71) Applicant: **Sumitomo Wiring Systems, Ltd.**,
Yokkaichi-shi (JP)

(Continued)

(72) Inventors: **Daiki Nagayasu**, Yokkaichi (JP);
Kazuki Nakagawa, Yokkaichi (JP)

OTHER PUBLICATIONS

(73) Assignee: **Sumitomo Wiring Systems, Ltd.**,
Yokkaichi-shi (JP)

U.S. Appl. No. 29/522,831, Non Final Office Action mailed Jun. 15,
2016, 6 pgs.

(Continued)

(**) Term: **14 Years**

Primary Examiner — Cynthia Underwood

(21) Appl. No.: **29/522,835**

(74) *Attorney, Agent, or Firm* — Schwegman Lundberg &
Woessner, P.A.

(22) Filed: **Apr. 2, 2015**

(57)

CLAIM

The ornamental design for a cable tie, as shown and
described.

(30) **Foreign Application Priority Data**

DESCRIPTION

Oct. 7, 2014 (JP) 2014-022358

(51) **LOC (10) Cl.** **08-05**

(52) **U.S. Cl.**
USPC **D8/356**

(58) **Field of Classification Search**
USPC D32/361; D9/434; D24/143; 24/129 R,
24/18, 130, 289, 297, 457; 606/203;
D8/354, 356, 382, 394, 367, 349, 381,
D8/396; D12/217; 248/75, 301, 302, 303,
248/304, 339, 205.3, 544; 242/615;
294/209, 24, 2, 210, 211; 403/53, 91
CPC B60T 3/00; H02G 3/045; F16B 2/00;
A63B 27/00

See application file for complete search history.

(56) **References Cited**

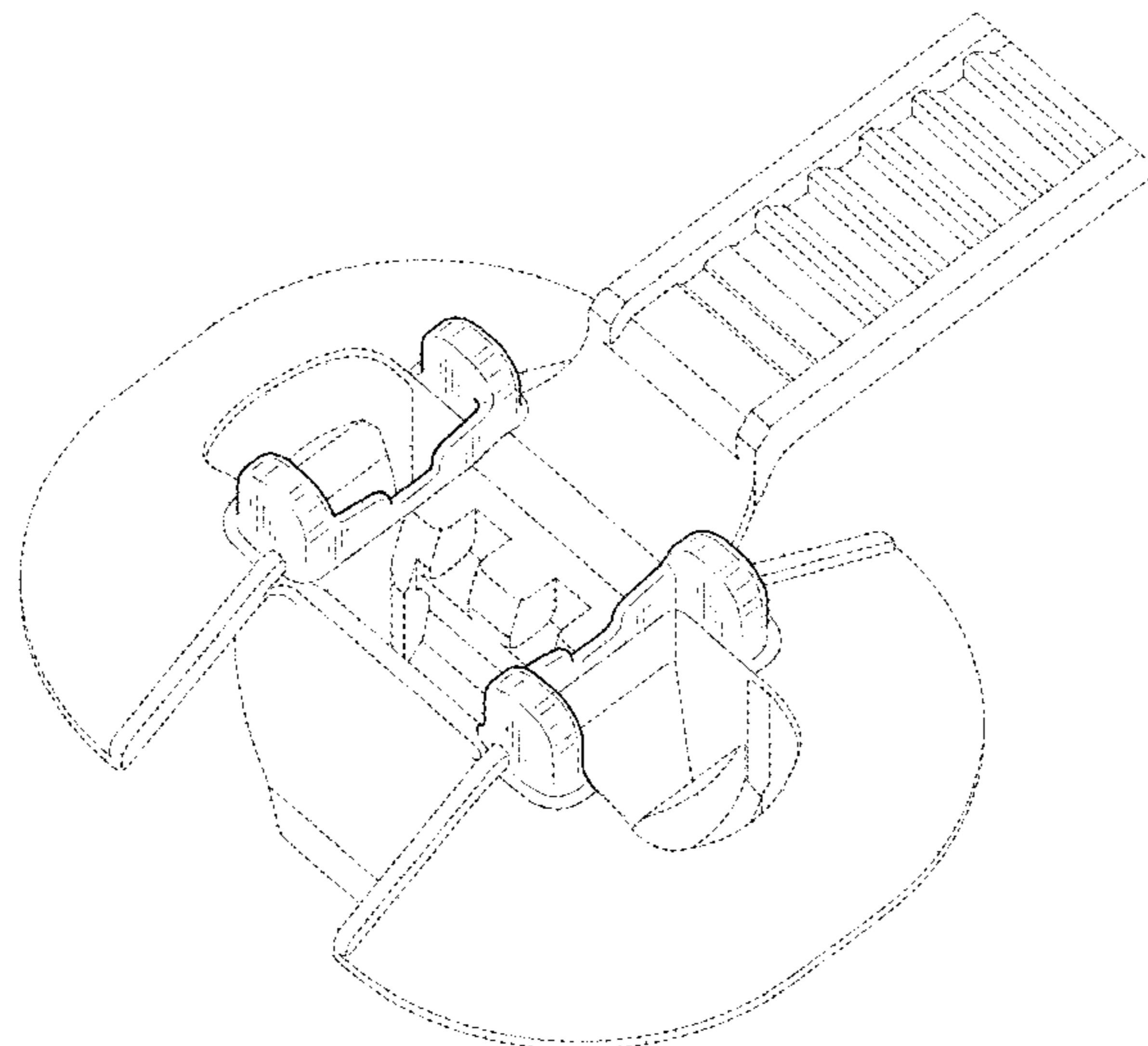
U.S. PATENT DOCUMENTS

3,965,538 A 6/1976 Caveney et al.
4,138,770 A 2/1979 Barrette et al.
D305,099 S 12/1989 Naruse et al.
5,131,613 A 7/1992 Kamiya et al.
5,146,654 A 9/1992 Caveney et al.

FIG. 1 is a front, top and left side perspective view of a cable tie showing our new design;
FIG. 2 is a rear, bottom and left side perspective view thereof;
FIG. 3 is an enlarged view of the portion indicated by line 3-3 in FIG. 1;
FIG. 4 is an enlarged view of the portion indicated by line 4-4 in FIG. 2;
FIG. 5 is a partial, enlarged front view thereof, the partial, enlarged rear view being a mirror image of FIG. 5;
FIG. 6 is a partial enlarged top plan view thereof;
FIG. 7 is an enlarged right side view thereof;
FIG. 8 is an enlarged left side view thereof;
FIG. 9 is a cross-sectional view taken along line 9-9 in FIG. 6; and,
FIG. 10 is a cross-sectional view taken along line 10-10 in FIG. 6.

The features shown in broken lines in the drawings depict environmental subject matter only and form no part of the claimed design. The dot-dashed lines define the boundaries of the claimed design and form no part thereof.

1 Claim, 10 Drawing Sheets



(56)

References Cited

U.S. PATENT DOCUMENTS

5,669,111 A 9/1997 Rohaly
 D389,051 S 1/1998 Caveney et al.
 D417,142 S 11/1999 Kim
 D417,387 S 12/1999 Kim
 D417,838 S 12/1999 Kim
 D422,487 S * 4/2000 Khokhar D8/396
 D444,054 S * 6/2001 Bernard D8/394
 6,279,203 B1 * 8/2001 Hundley B65D 63/1036
 24/16 PB
 D459,206 S 6/2002 Caveney et al.
 6,484,366 B1 11/2002 Deschenes et al.
 D471,435 S * 3/2003 Krisel D8/396
 D488,374 S * 4/2004 Hussaini D8/396
 D520,865 S 5/2006 Wakabayashi
 D530,600 S * 10/2006 Krisel D8/396
 7,303,711 B2 * 12/2007 Gallant B29C 43/222
 264/220
 D596,933 S 7/2009 Banno et al.
 D606,832 S * 12/2009 Wan D8/72
 7,774,905 B2 8/2010 Geiger
 7,779,515 B2 * 8/2010 DeMik B65D 63/1036
 24/16 PB
 D624,811 S 10/2010 Wakabayashi
 8,069,537 B2 * 12/2011 Gallant B65D 63/1018
 24/16 PB
 8,282,047 B2 10/2012 Franks
 8,510,918 B2 8/2013 Shilale et al.
 D701,453 S * 3/2014 Wang D8/383
 D723,361 S * 3/2015 Adams D8/383
 D729,044 S 5/2015 Asai et al.
 D729,054 S * 5/2015 Chen D8/356

D732,945 S * 6/2015 Asai D8/356
 D741,691 S * 10/2015 Adams D8/356
 D751,888 S * 3/2016 Sakamoto D8/383
 D757,523 S * 5/2016 Kim D8/356
 D757,530 S * 5/2016 Straney D8/394
 D761,642 S 7/2016 Nagayasu
 2003/0163904 A1 9/2003 O'Young et al.
 2005/0115029 A1 * 6/2005 Magno, Jr. F16L 3/2334
 24/16 PB
 2007/0028426 A1 2/2007 Laporte
 2007/0175001 A1 8/2007 Tomory et al.
 2008/0250609 A1 10/2008 Franks
 2009/0172922 A1 * 7/2009 Laporte B65D 63/1063
 24/16 PB
 2011/0302746 A1 12/2011 Sano
 2012/0159742 A1 6/2012 Iwahara et al.
 2015/0210453 A1 * 7/2015 Liang B65D 63/1072
 24/16 PB

OTHER PUBLICATIONS

U.S. Appl. No. 29/522,833, Ex Parte Quayle Action mailed Dec. 18, 2015, 6 pgs.
 U.S. Appl. No. 29/522,833, Notice of Allowance mailed Mar. 9, 2016, 7 pgs.
 U.S. Appl. No. 29/522,833, Response filed Feb. 9, 2016 to Ex Parte Quayle Action mailed Dec. 18, 2015, 3 pgs.
 "U.S. Appl. No. 29/522,831, Notice of Allowance mailed Oct. 4, 2016", 5 pgs.
 "U.S. Appl. No. 29/526,866, Notice of Allowance mailed Oct. 31, 2016", 6 pgs.
 U.S. Appl. No. 29/526,866, filed May 13, 2015, Cable Tie.

* cited by examiner

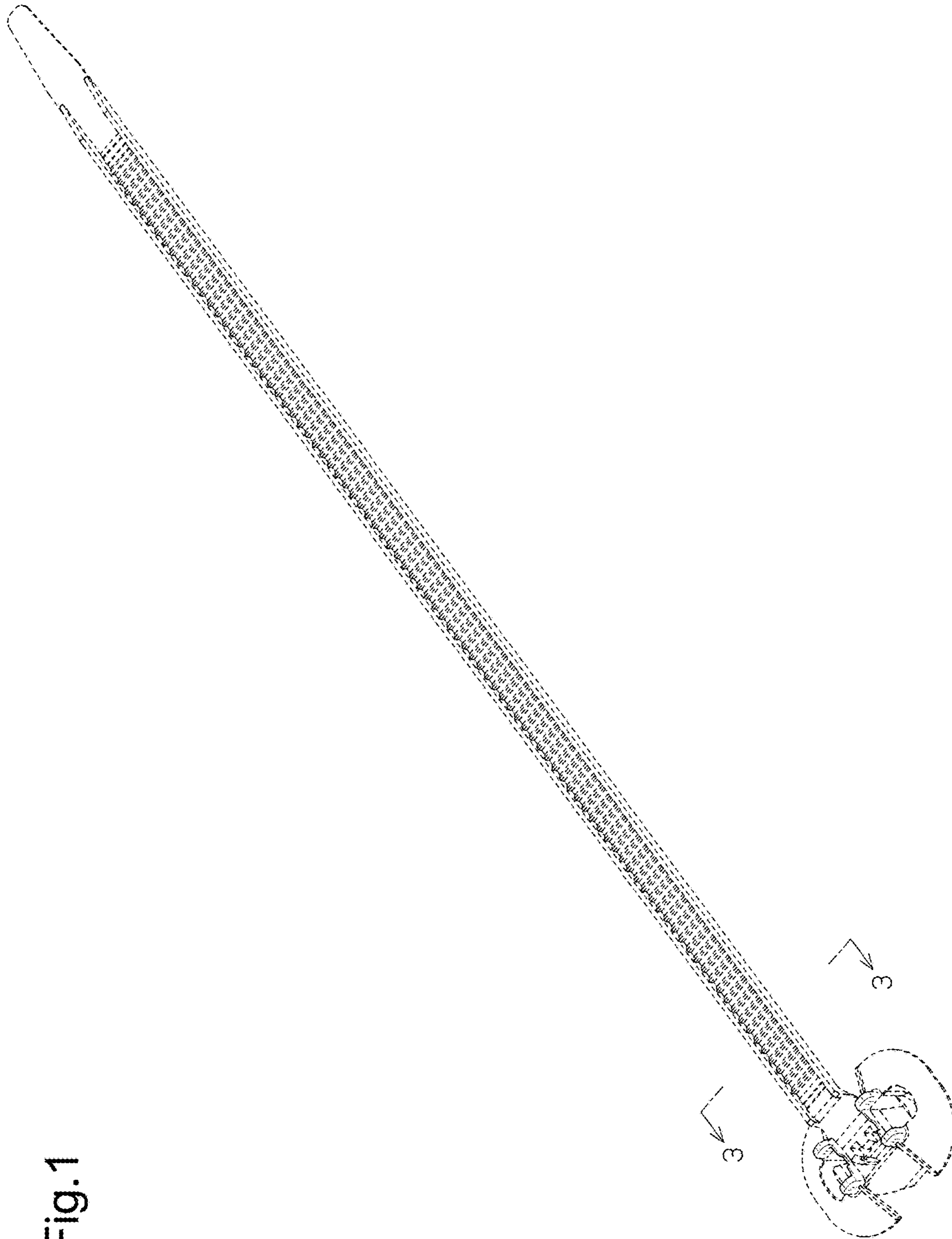


Fig.1

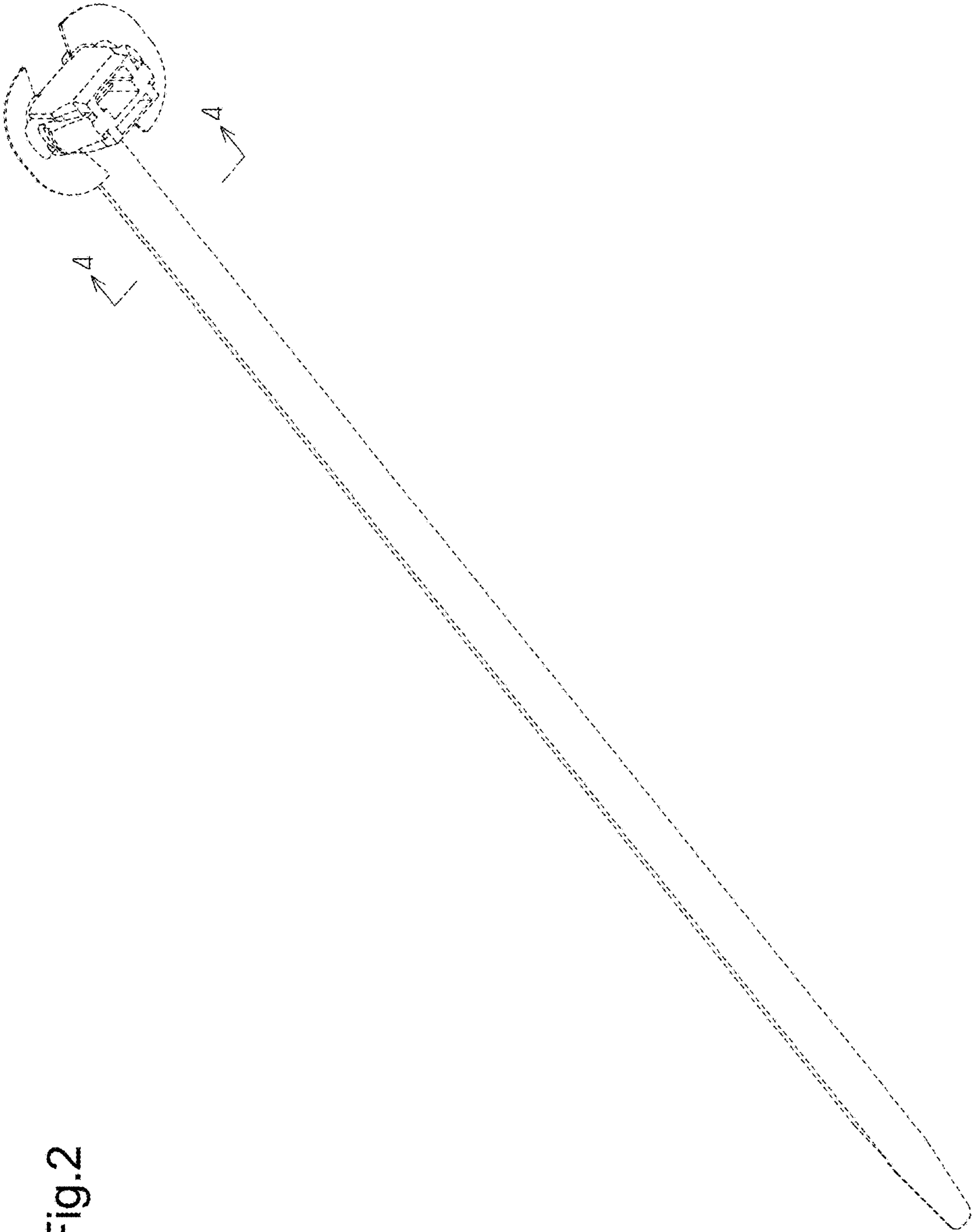


Fig.2

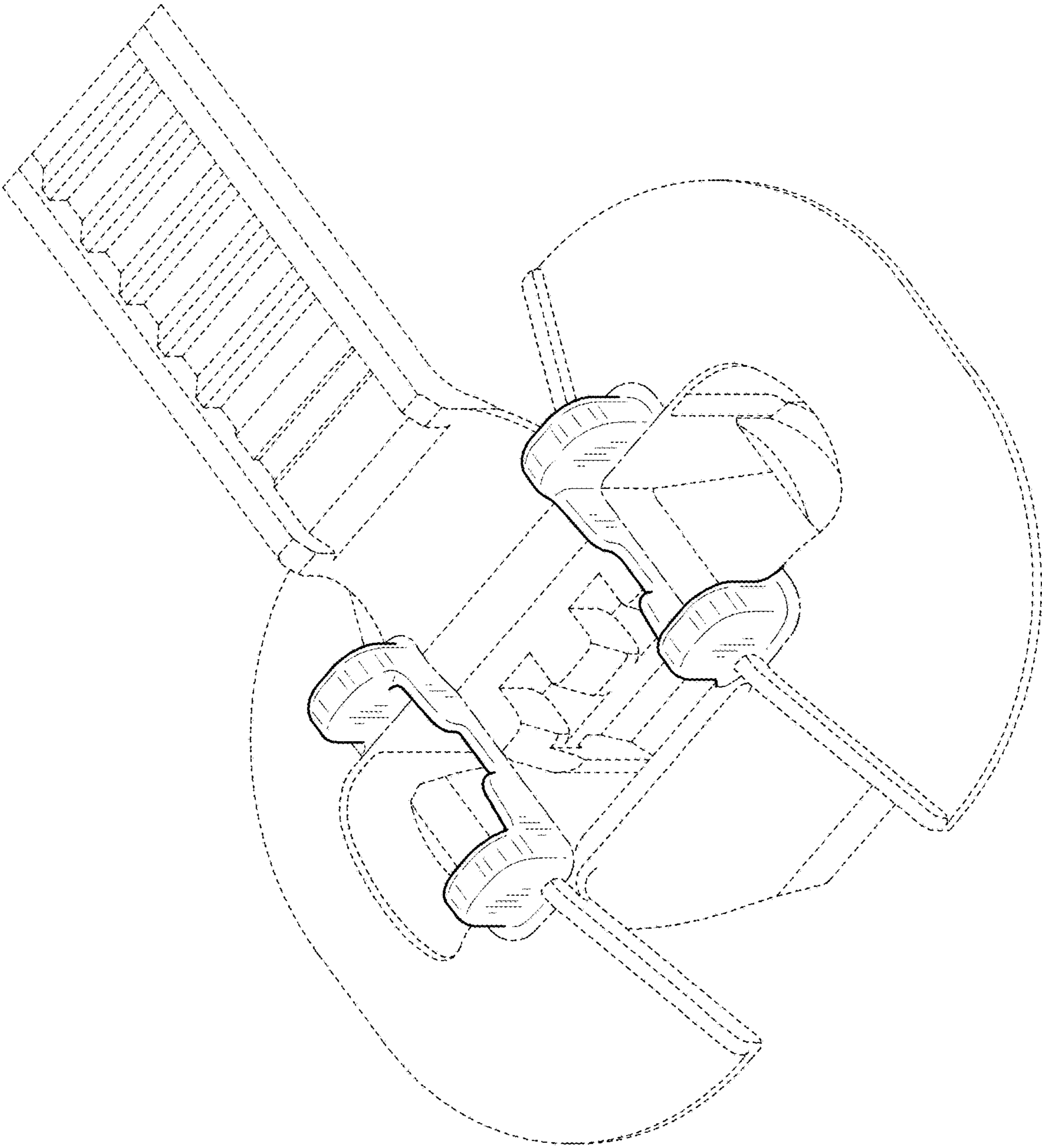


Fig.3

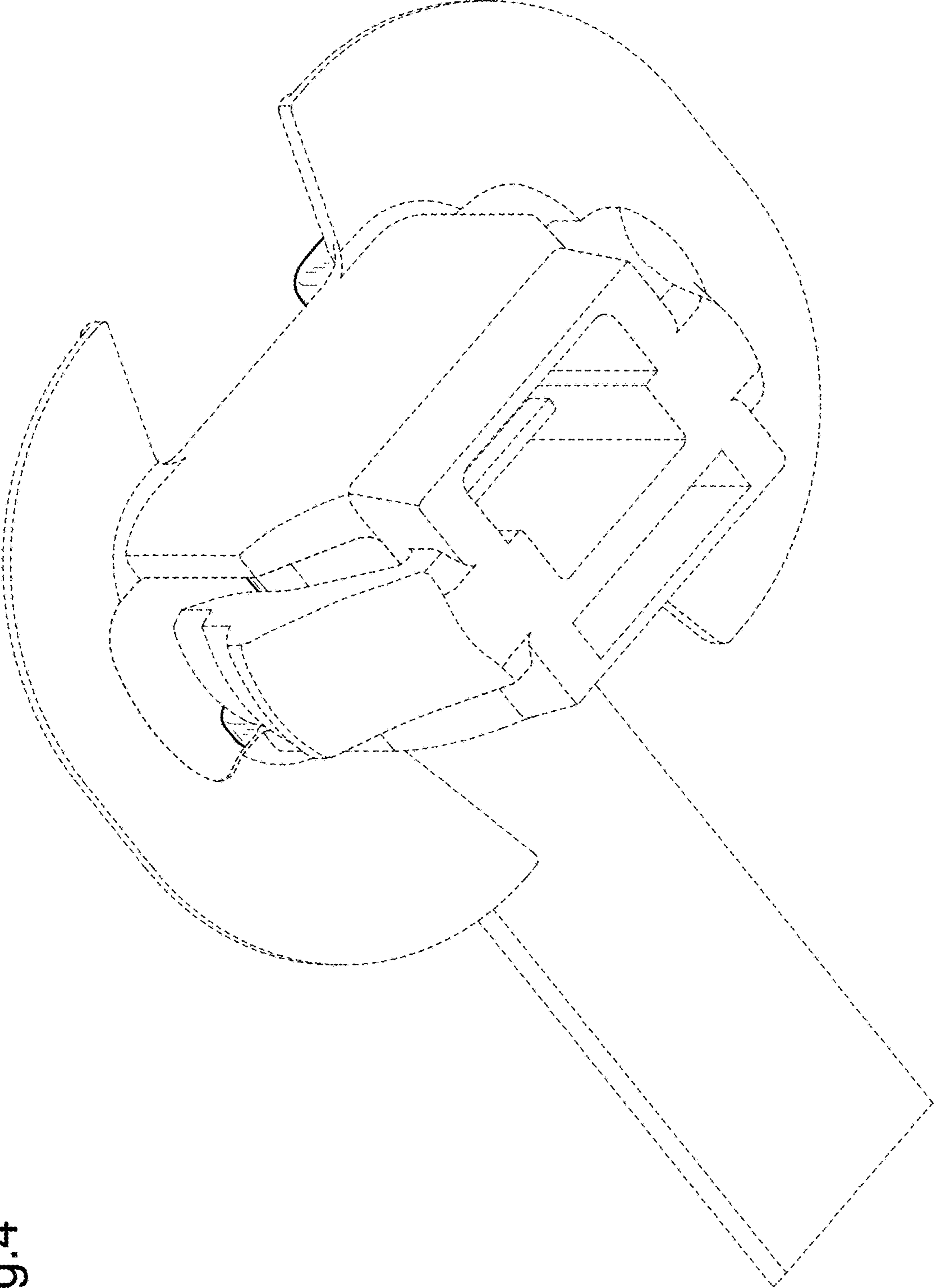
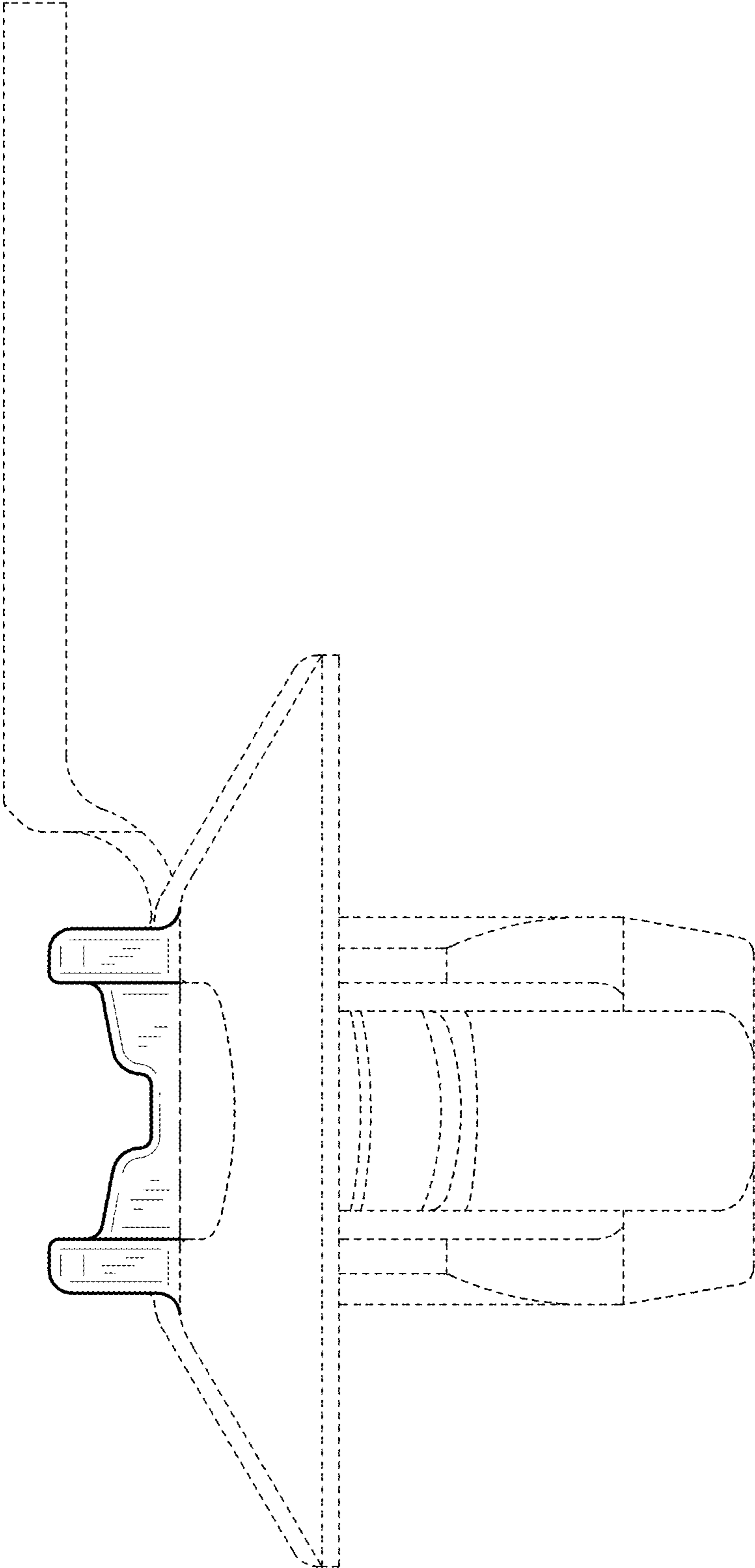


Fig.4

Fig.5



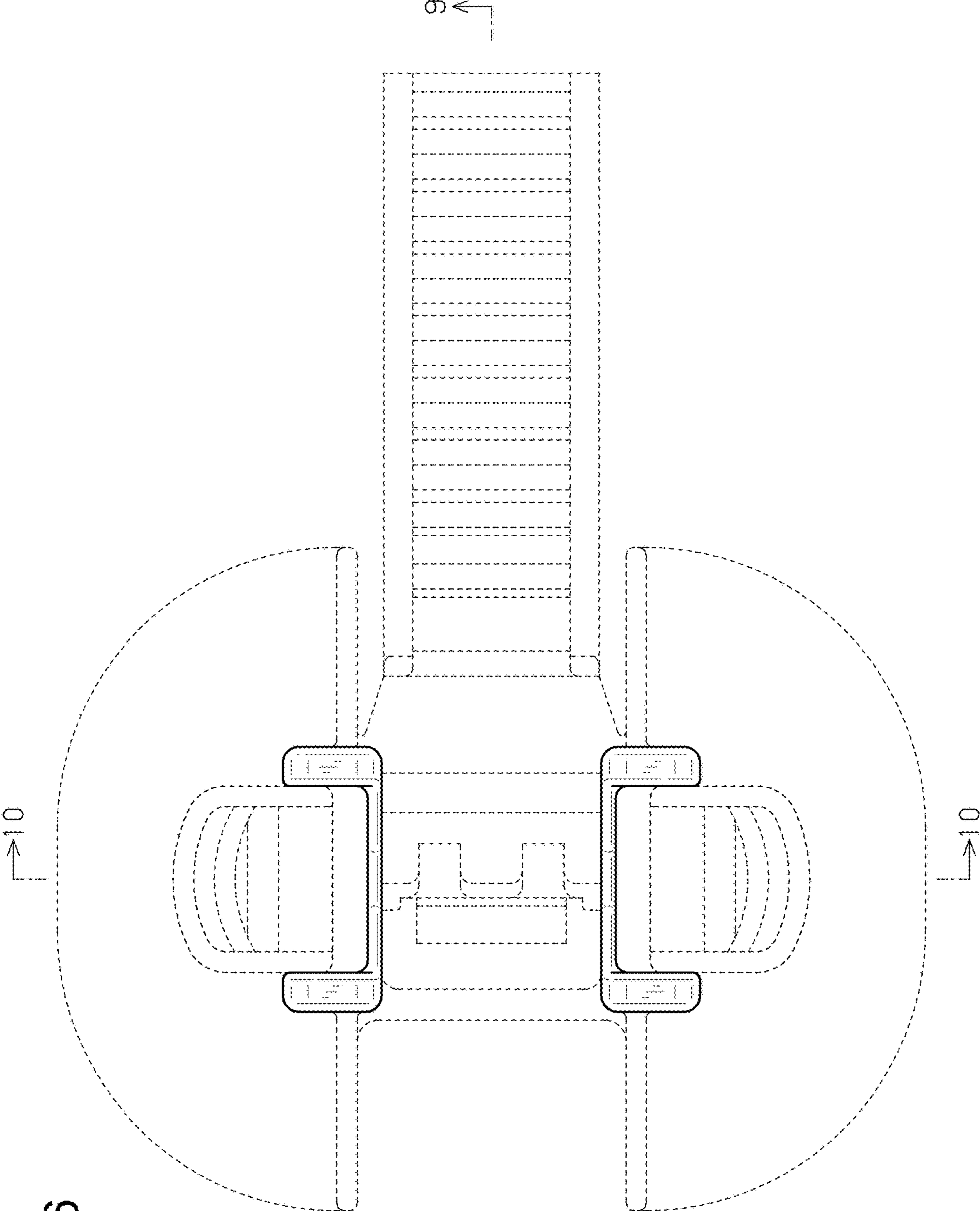


Fig.6

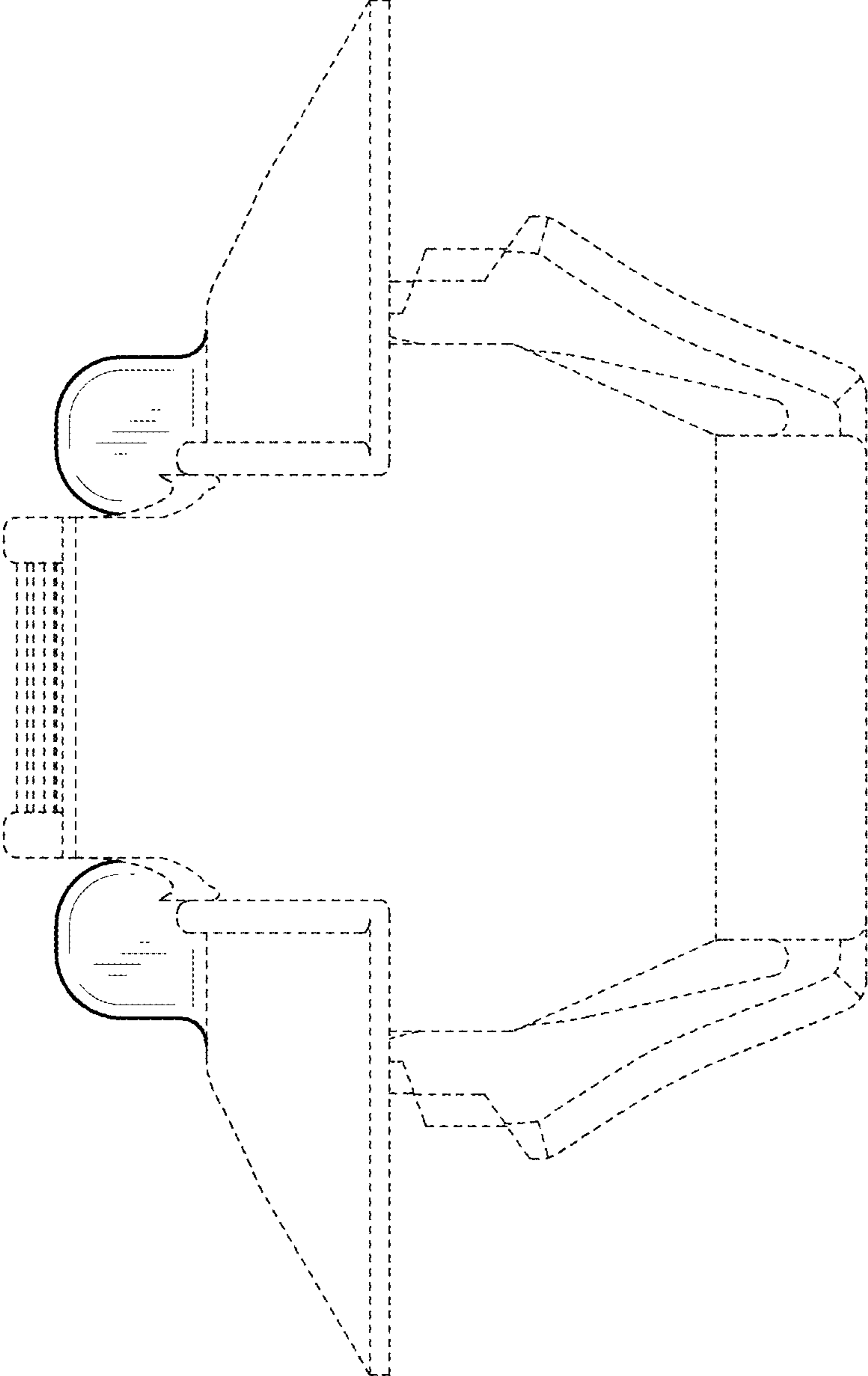


Fig.7

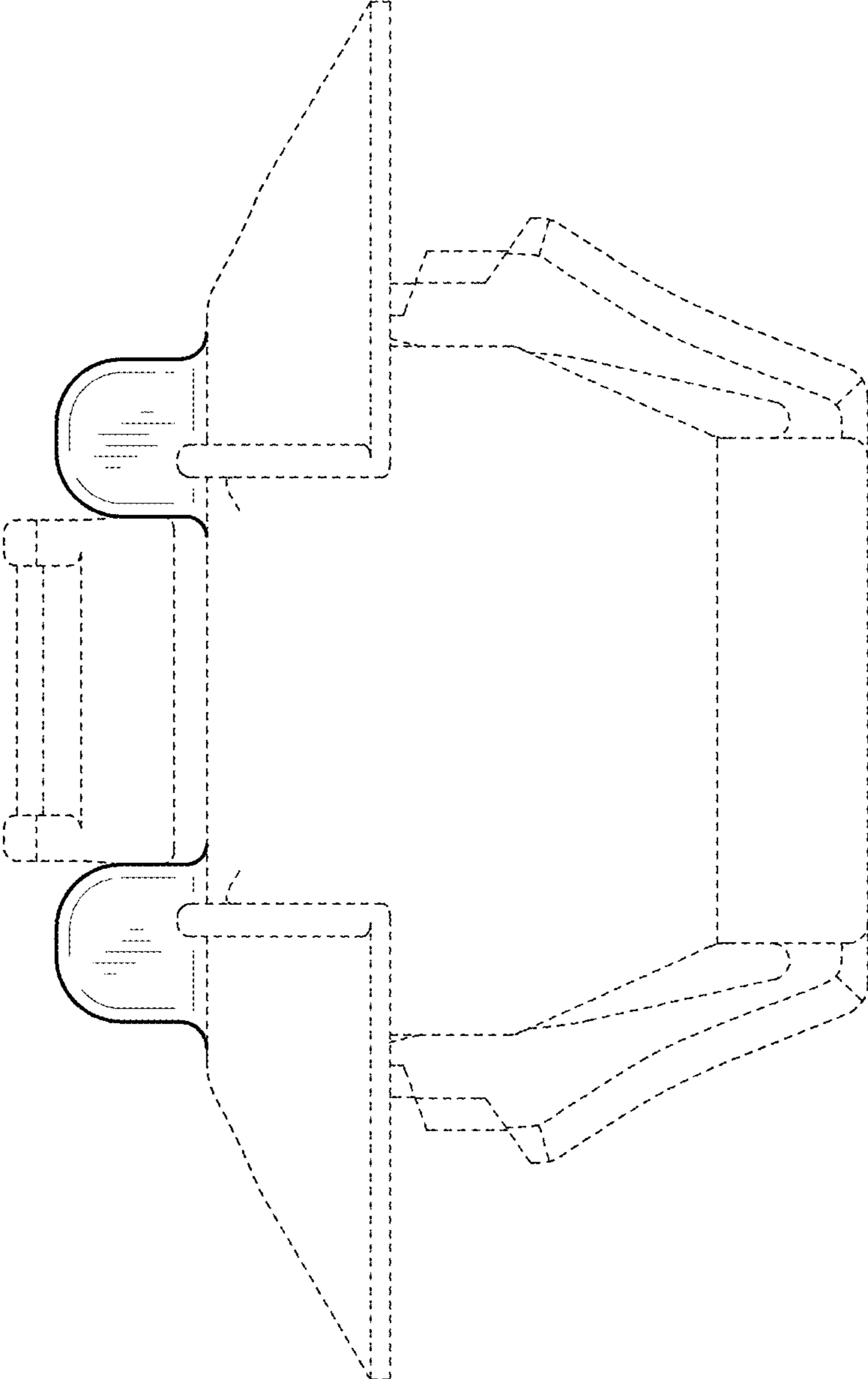


Fig.8

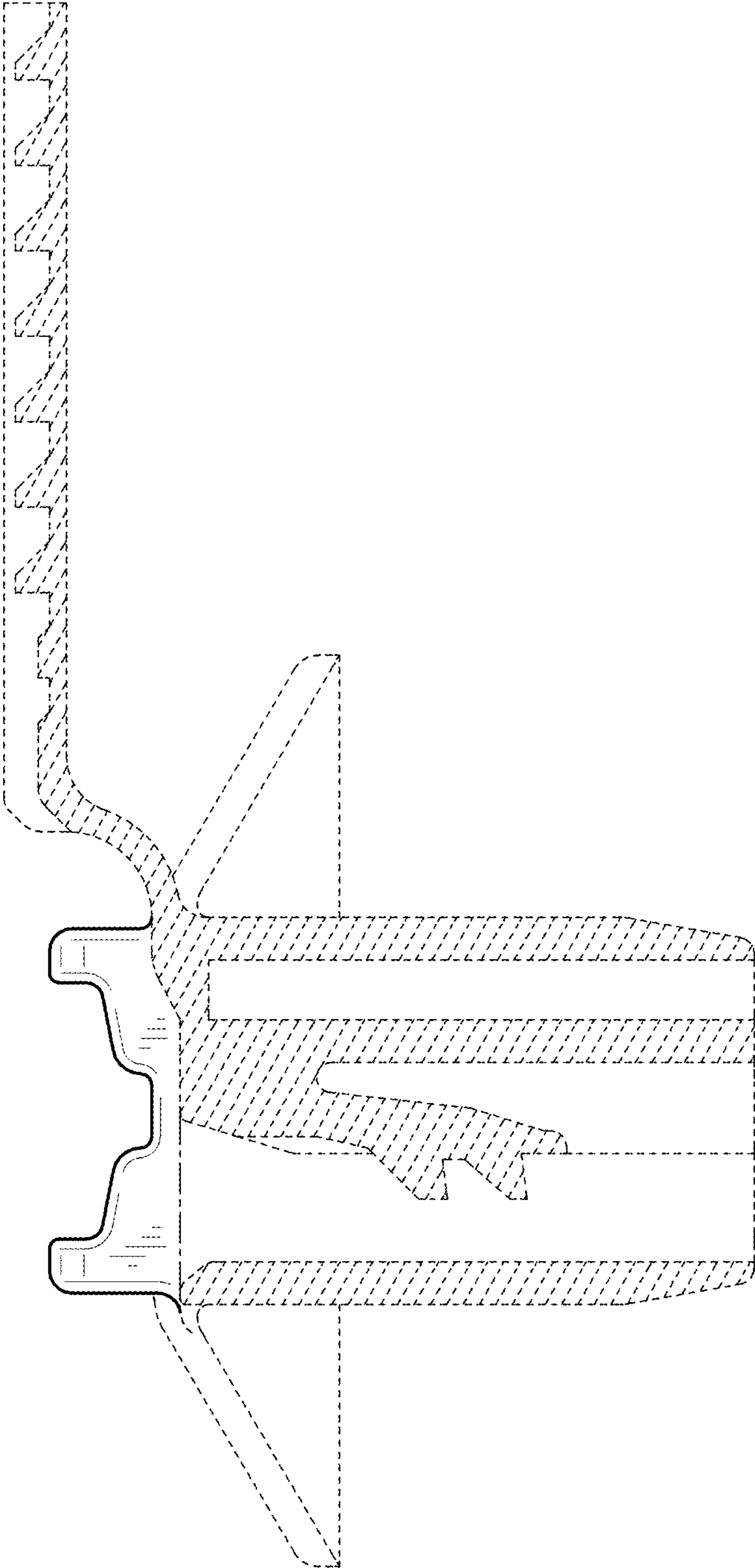


Fig.9

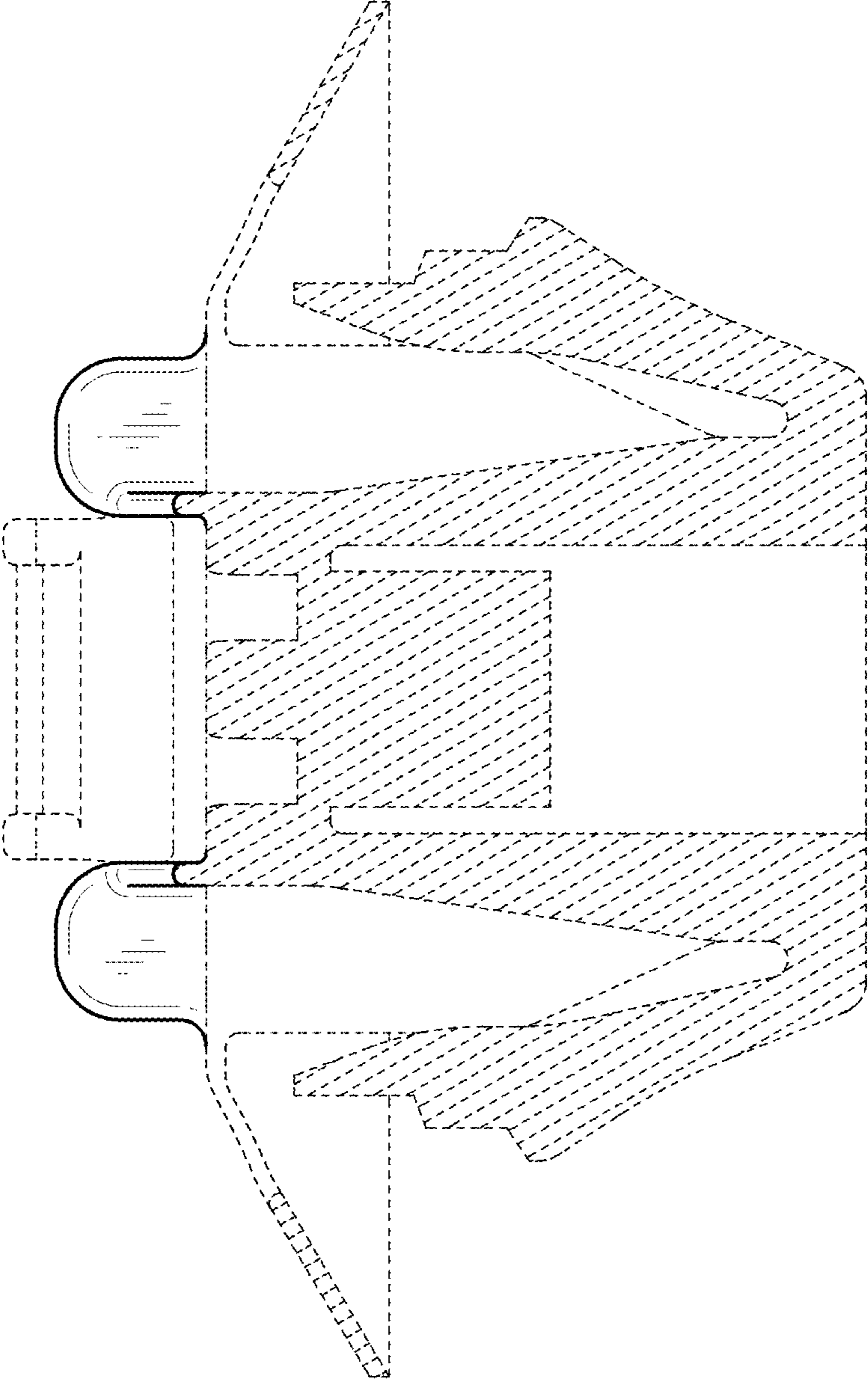


Fig.10