



US00D778709S

(12) **United States Design Patent** (10) **Patent No.:** **US D778,709 S**  
**Russo** (45) **Date of Patent:** **\*\* Feb. 14, 2017**

(54) **THREADED LIPPAGE CAP**  
(71) Applicant: **William P. Russo**, Hartford, WI (US)  
(72) Inventor: **William P. Russo**, Hartford, WI (US)  
(\*\*) Term: **15 Years**  
(21) Appl. No.: **29/552,045**  
(22) Filed: **Jan. 20, 2016**

**Related U.S. Application Data**

(63) Continuation-in-part of application No. 14/823,805, filed on Aug. 11, 2015.  
(51) **LOC (10) Cl.** ..... **08-05**  
(52) **U.S. Cl.**  
USPC ..... **D8/355**  
(58) **Field of Classification Search**  
USPC .... D8/16, 19, 350, 354, 364, 366, 499, 380,  
D8/381, 355  
CPC ..... F16B 1/00; F16B 2/00; F16B 4/008;  
F16B 12/00; B60B 11/06; E21C 35/183  
See application file for complete search history.

(56) **References Cited**

**U.S. PATENT DOCUMENTS**

D332,390 S \* 1/1993 Adams ..... D8/373  
D408,268 S \* 4/1999 Dunn ..... D8/354  
D460,571 S \* 7/2002 Schimmelpfennig ..... D25/135  
6,612,082 B2 \* 9/2003 Schimmelpfennig ... E04C 5/161  
248/523  
D491,443 S \* 6/2004 Lowery ..... D8/354  
7,472,522 B2 \* 1/2009 Yang ..... E04C 5/161  
138/96 R  
D589,327 S \* 3/2009 Carnevali ..... D8/354

D590,696 S \* 4/2009 Carnevali ..... D8/354  
D735,557 S \* 8/2015 Leshem ..... D8/354  
9,279,259 B1 \* 3/2016 Russo ..... E04F 21/20  
D762,458 S \* 8/2016 Horne ..... D8/354  
2009/0288357 A1 \* 11/2009 Kubicek ..... E04C 5/161  
52/301  
2009/0313927 A1 \* 12/2009 Myers, Jr. .... E04C 5/161  
52/301

\* cited by examiner

*Primary Examiner* — Rosemary K Tarcza  
*Assistant Examiner* — Alison Ofstun  
(74) *Attorney, Agent, or Firm* — Donald J. Ersler

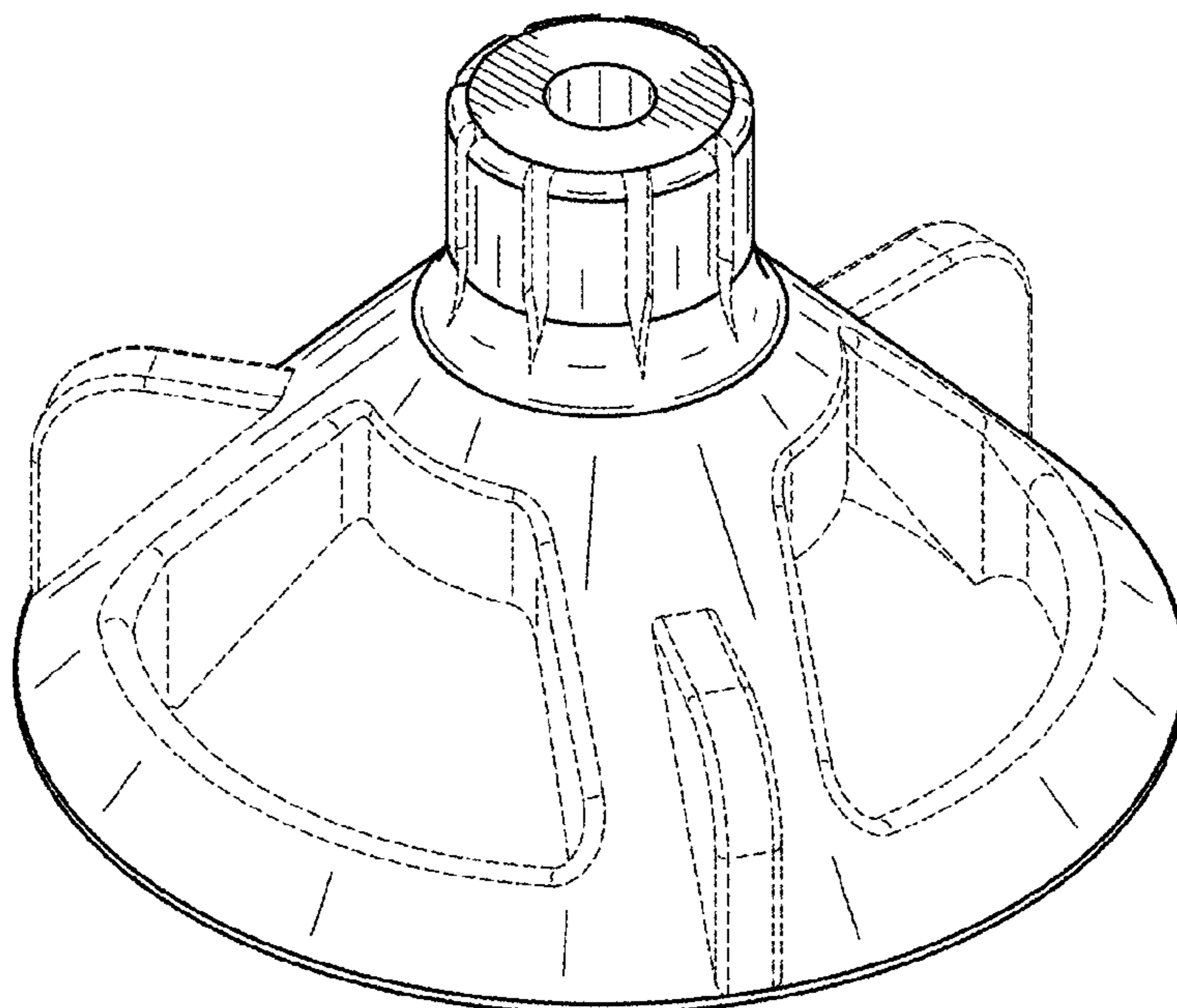
(57) **CLAIM**

The ornamental design for the threaded lippage cap, as shown and described.

**DESCRIPTION**

FIG. 1 is a top perspective view of a threaded lippage cap incorporating my new design;  
FIG. 2 is a bottom perspective view thereof;  
FIG. 3 is a top plan view thereof;  
FIG. 4 is a bottom plan view thereof;  
FIG. 5 is a front elevation view thereof;  
FIG. 6 is a right side view thereof;  
FIG. 7 is a left side view thereof; and,  
FIG. 8 is a top perspective view thereof threaded on to a spacer post.  
The broken lines shown in the drawings are included for the purpose of illustrating environmental structure and form no part of the claimed design.

**1 Claim, 4 Drawing Sheets**



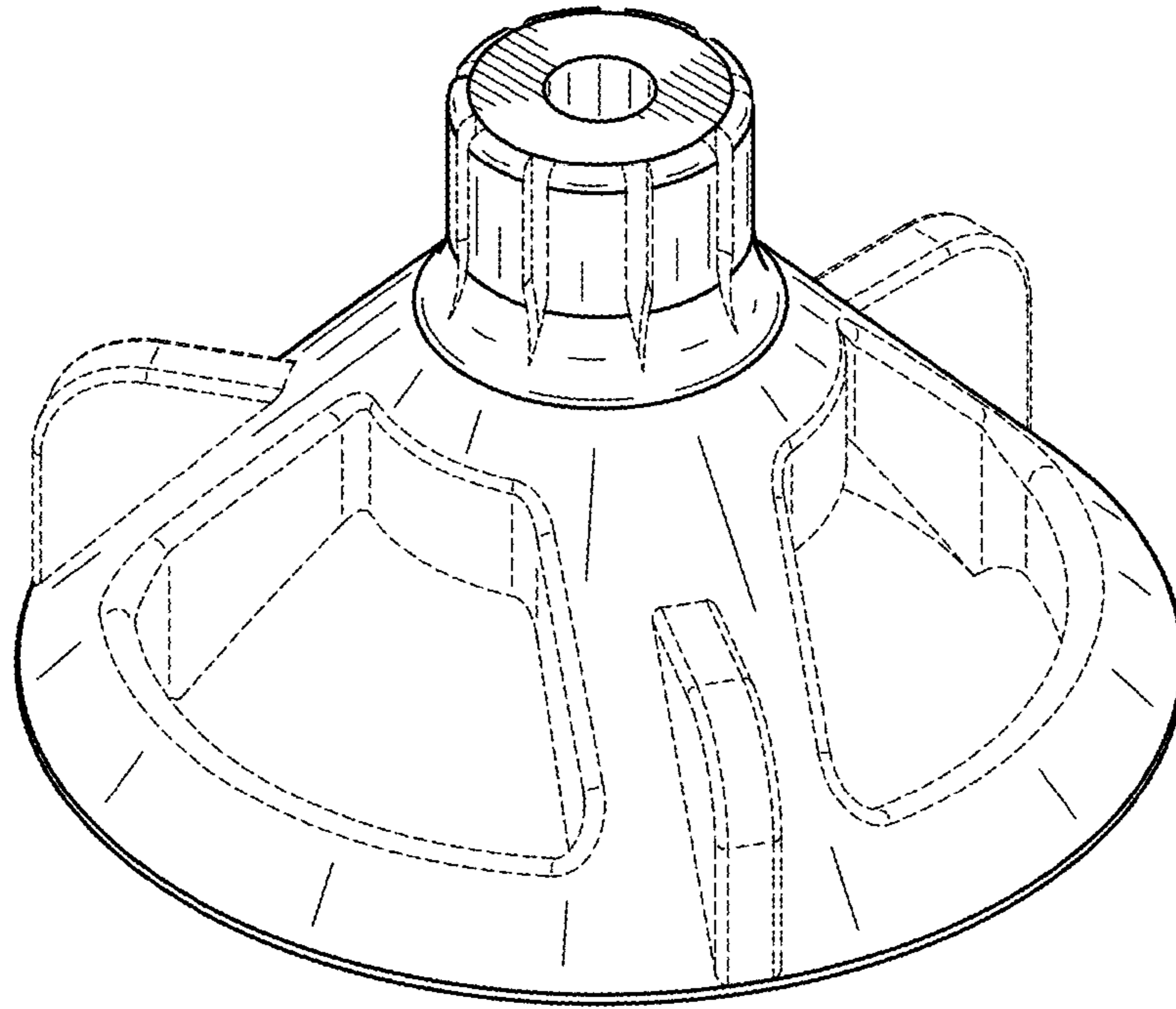


FIG. 1

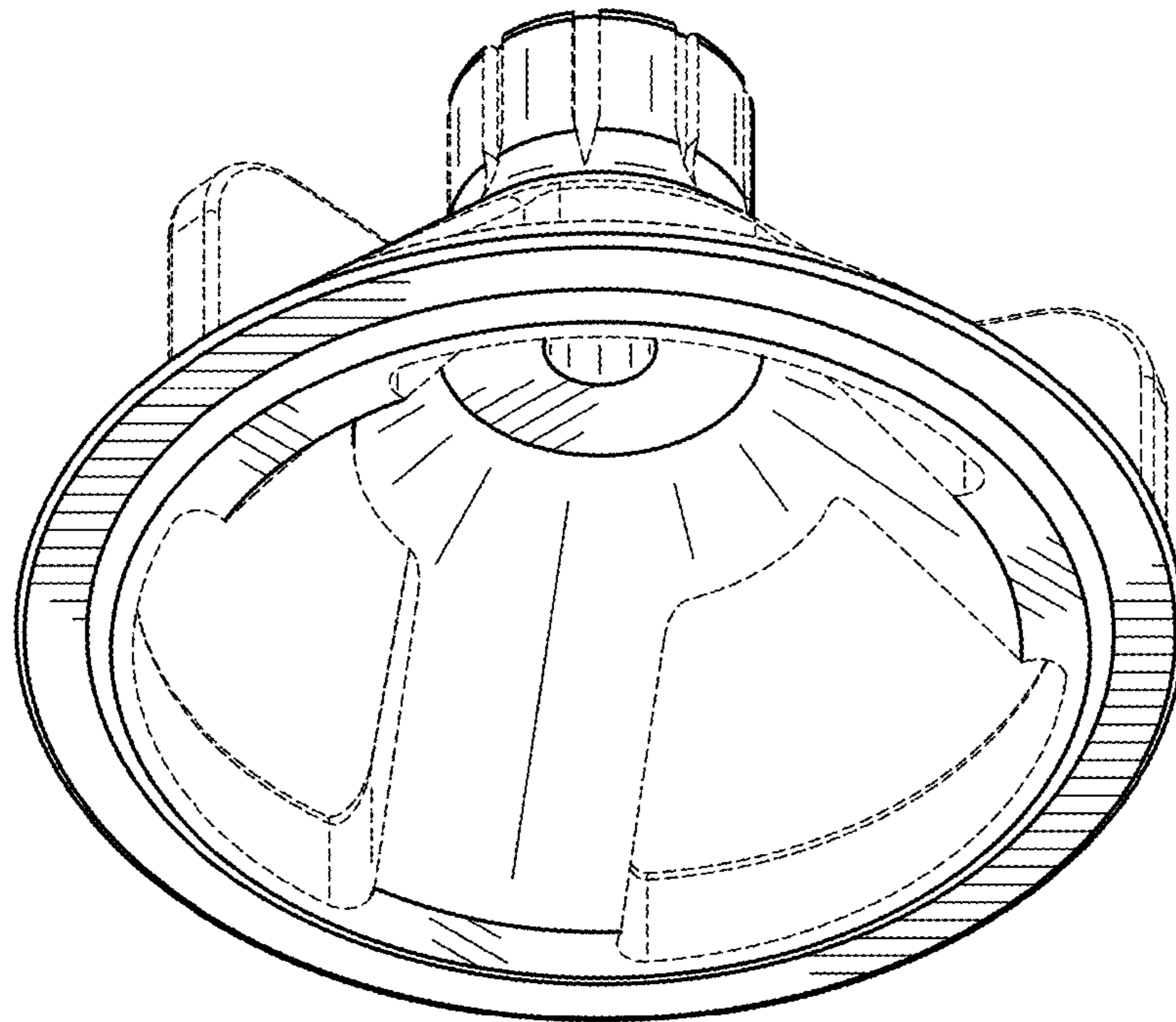


FIG. 2

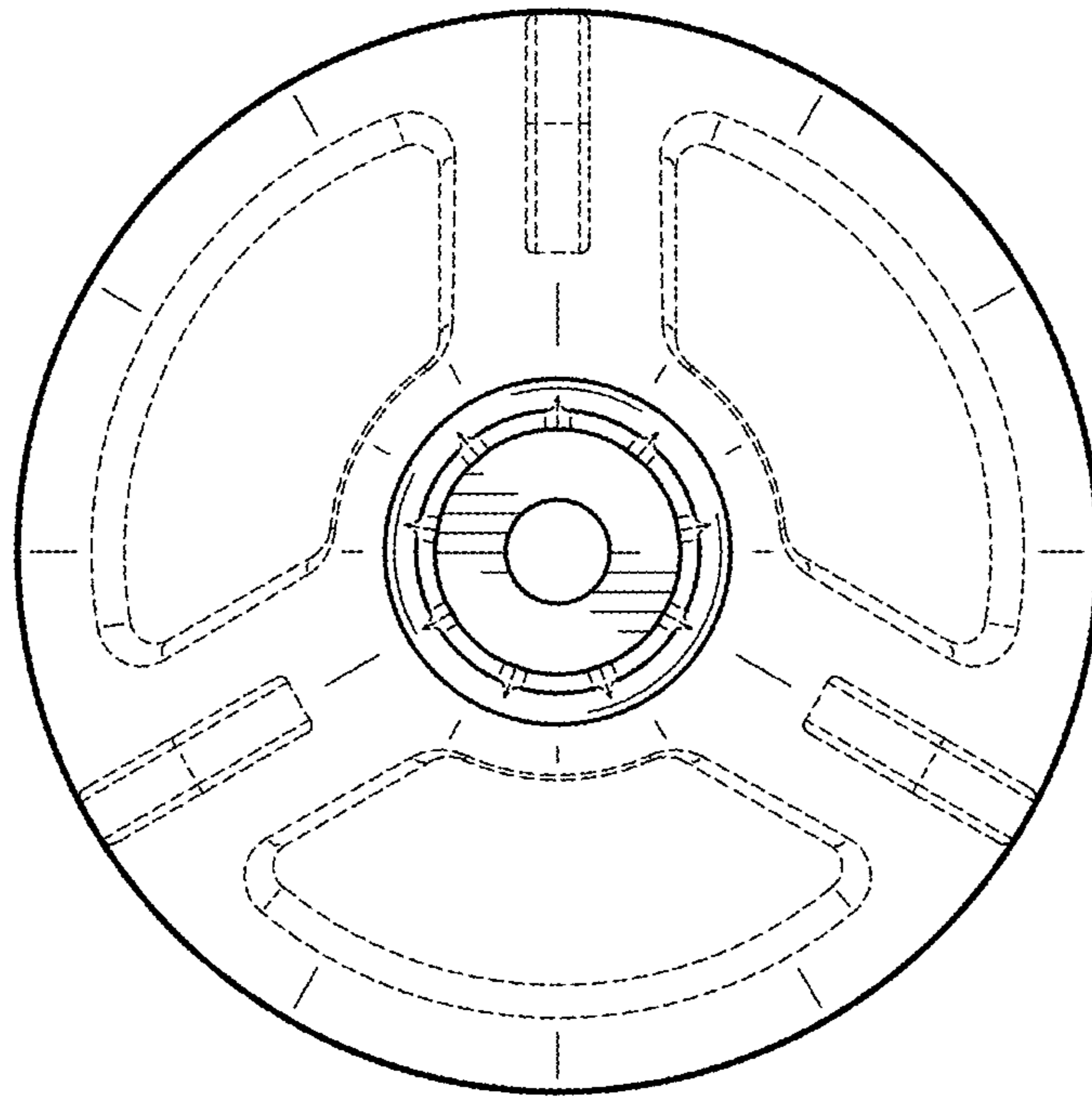


FIG. 3

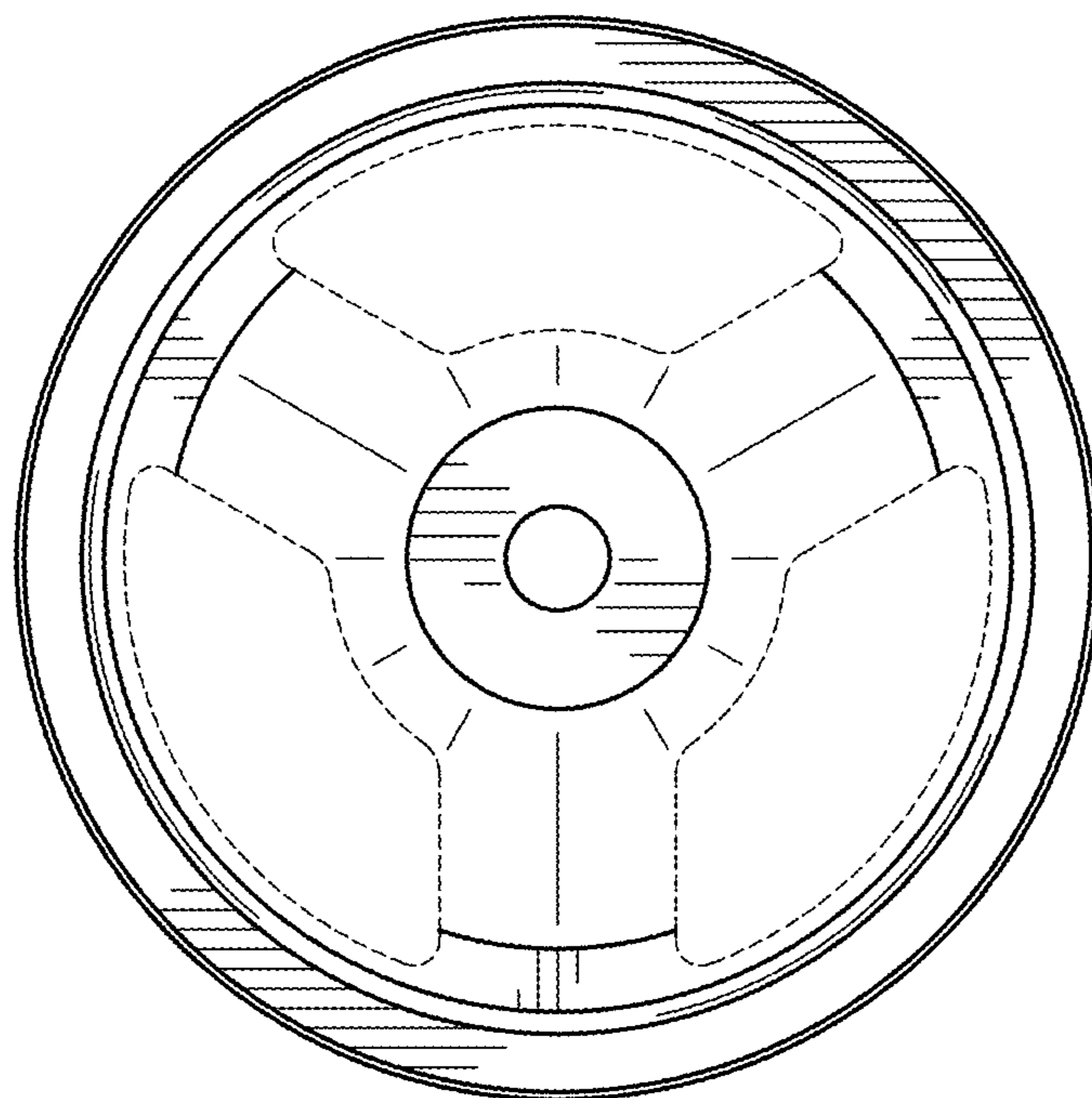


FIG. 4

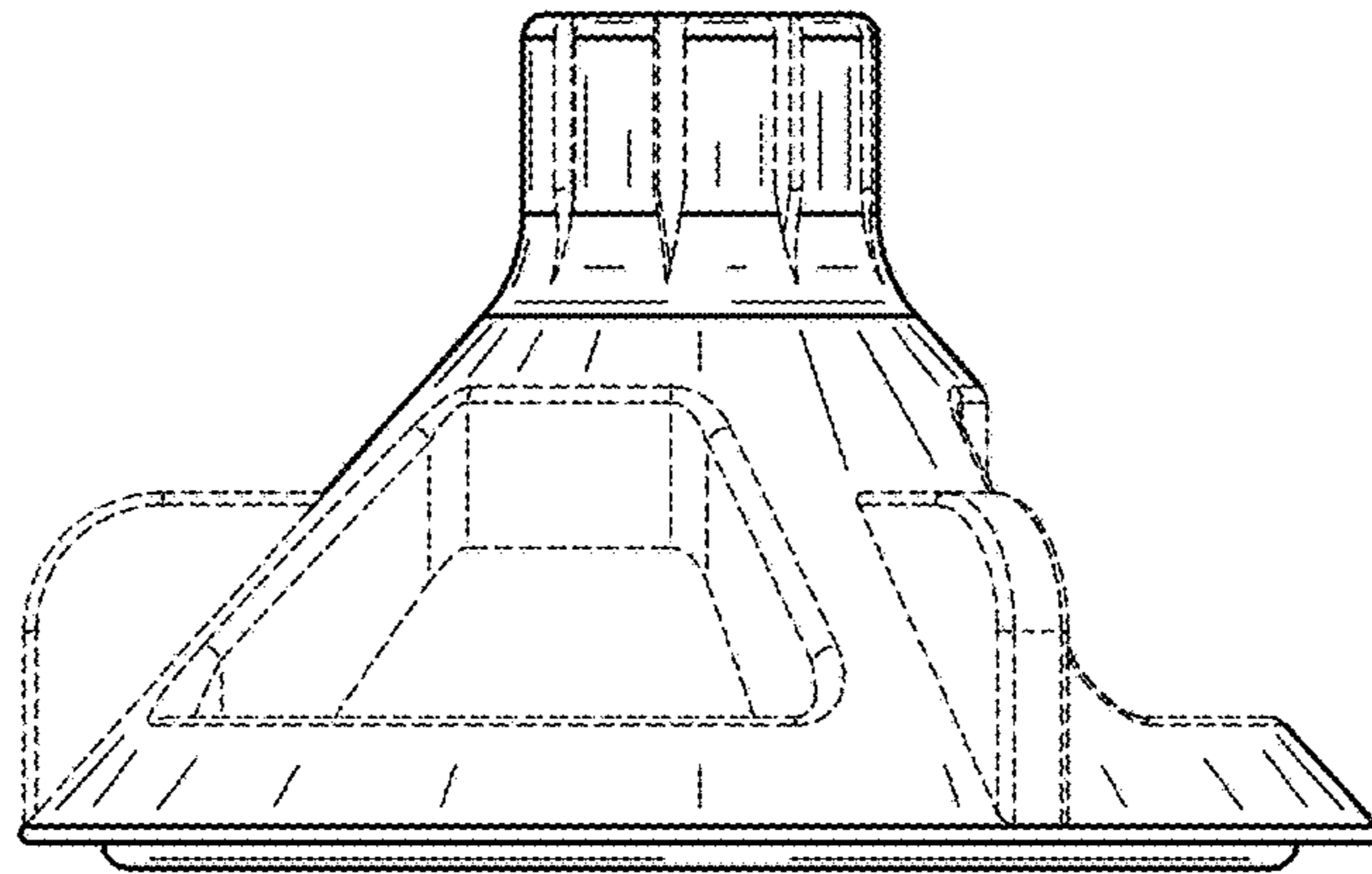


FIG. 5

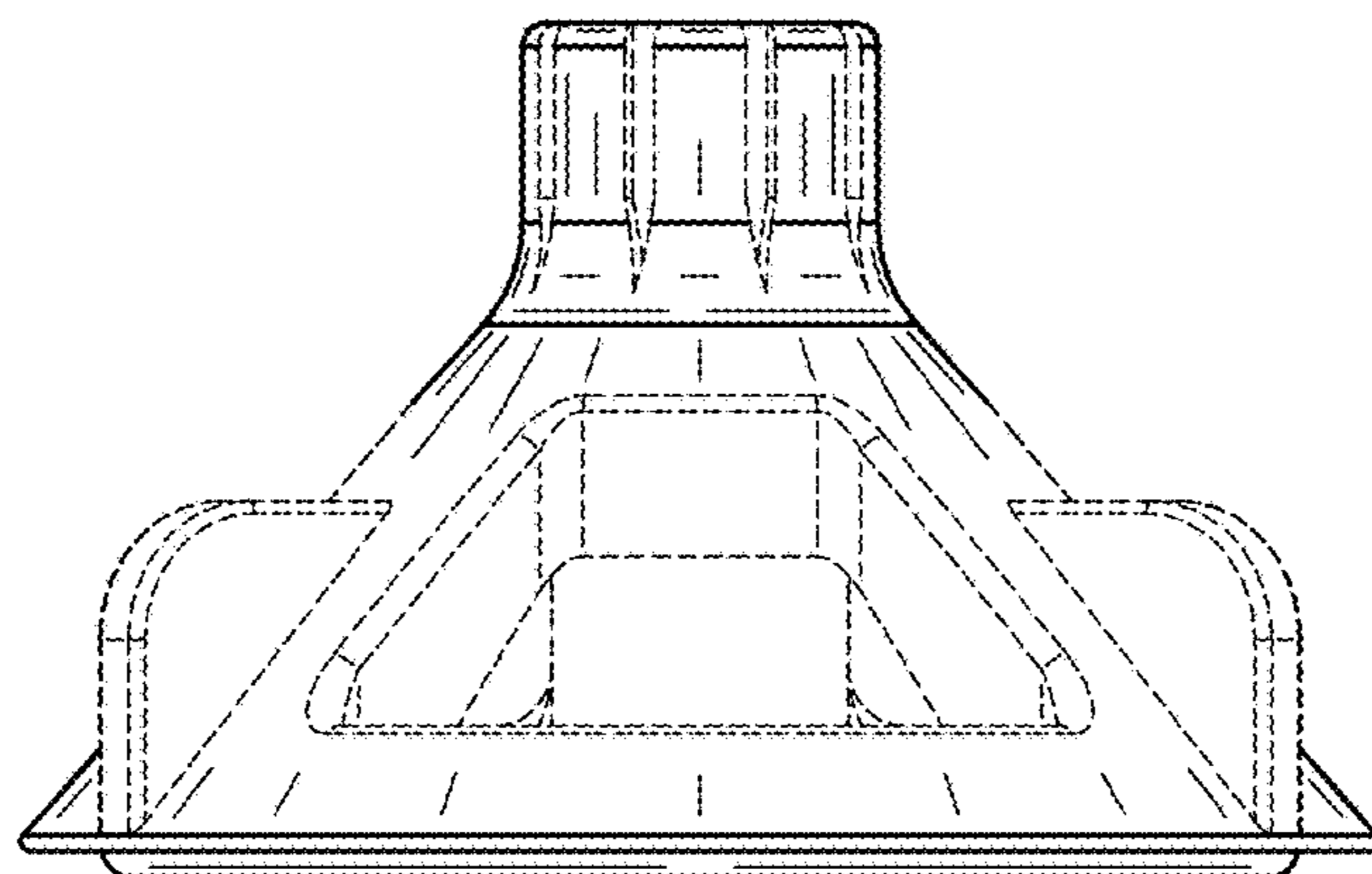


FIG. 6

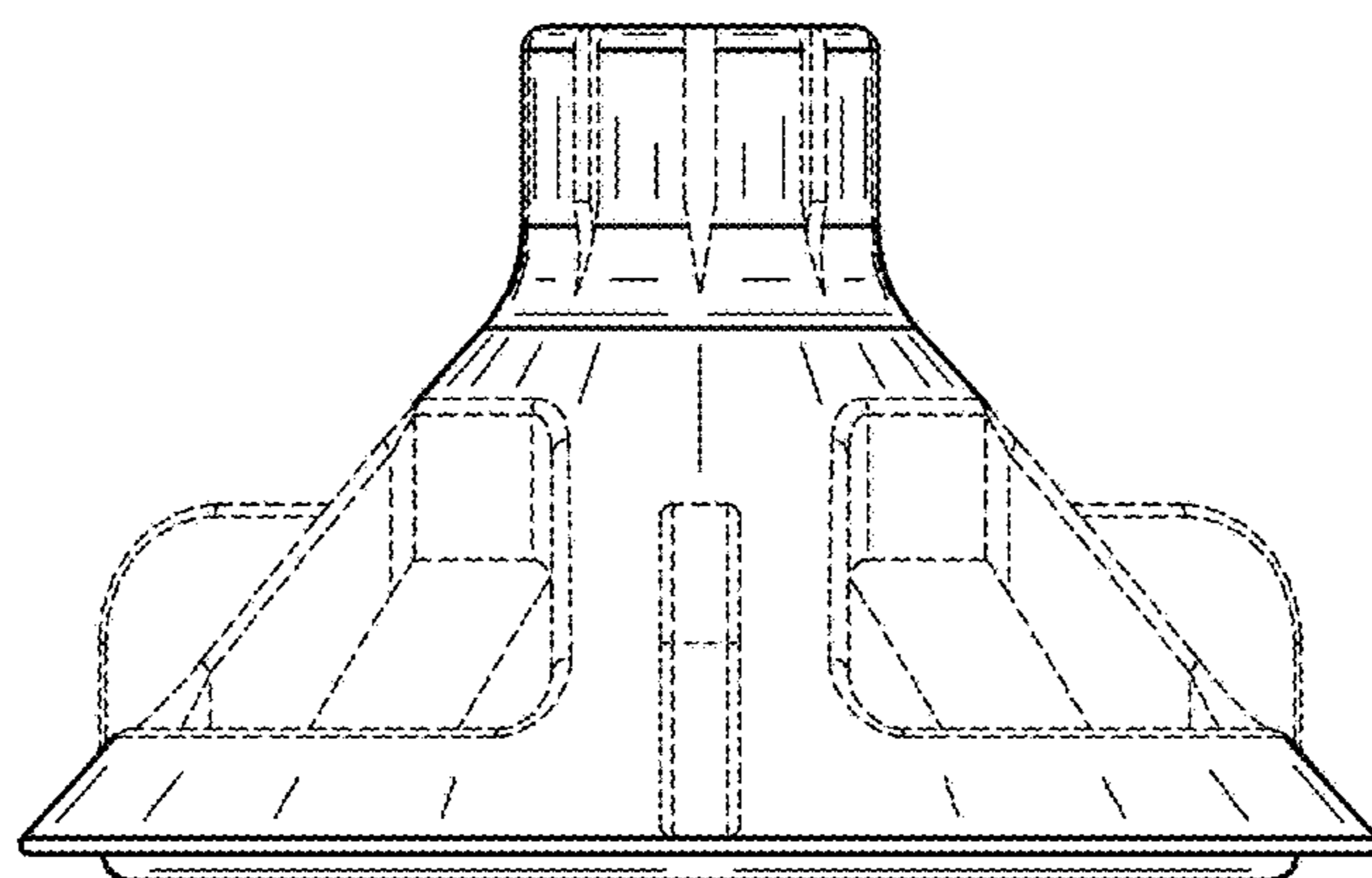


FIG. 7

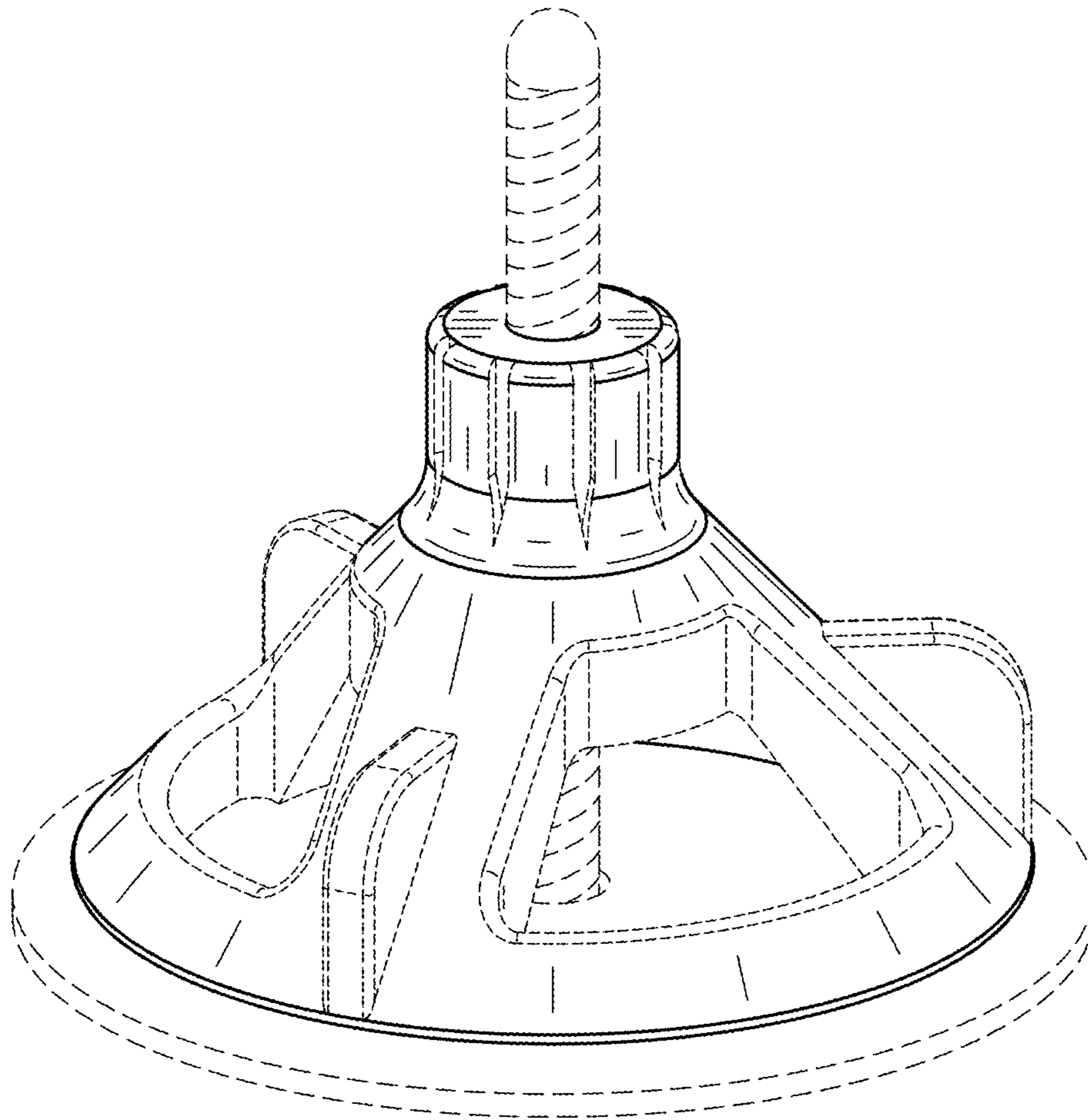


FIG. 8