



US00D778707S

(12) **United States Design Patent**
Tonelli

(10) **Patent No.:** **US D778,707 S**

(45) **Date of Patent:** **** Feb. 14, 2017**

(54) **CLOSING DEVICE**
(71) Applicant: **G.T. LINE S.R.L.**, Valsamoggia (IT)
(72) Inventor: **Massimo Tonelli**, Casalecchio di Reno (IT)
(73) Assignee: **G.T. LINE S.R.L.**, Valsamoggia (IT)
(**) Term: **15 Years**

8,454,073 B2 * 6/2013 Grandel B60R 11/0235
296/37.12
8,511,610 B2 * 8/2013 Depeige B64C 1/14
244/129.4
8,713,758 B2 * 5/2014 Mitsui G06F 1/1615
16/357
D708,503 S * 7/2014 Tiberghien D8/330
D725,991 S * 4/2015 Nasr D8/330
D731,310 S * 6/2015 Demey D9/434
D760,575 S * 7/2016 Werner D8/331

* cited by examiner

(21) Appl. No.: **29/505,473**
(22) Filed: **Nov. 16, 2015**

Primary Examiner — Prabhakar Deshmukh
(74) *Attorney, Agent, or Firm* — Modiano & Associati;
Daniel J. O'Byrne

(30) **Foreign Application Priority Data**

May 22, 2015 (EM) 002706069

(51) **LOC (10) Cl.** **08-07**

(52) **U.S. Cl.**
USPC **D8/330; D8/343**

(58) **Field of Classification Search**
USPC D8/330, 331, 336, 339, 343, 346, 349,
D8/382, 400, 499; 70/14, 57, 57.1, 141,
70/229, 230, 431, 465, 466; 292/156, 281,
292/288, 292, 300, 307 R, 340, 342
CPC E05D 11/06; B60C 1/14; B60N 3/12
See application file for complete search history.

(56) **References Cited**

U.S. PATENT DOCUMENTS

4,920,771 A * 5/1990 Jiang E05B 37/02
70/312
D491,293 S * 6/2004 Tada D26/28
D492,184 S * 6/2004 Parker D8/331
D494,840 S * 8/2004 Senn D8/343
D680,433 S * 4/2013 Lepage D9/447
8,424,518 B2 * 4/2013 Smutney A61M 15/0028
128/203.15

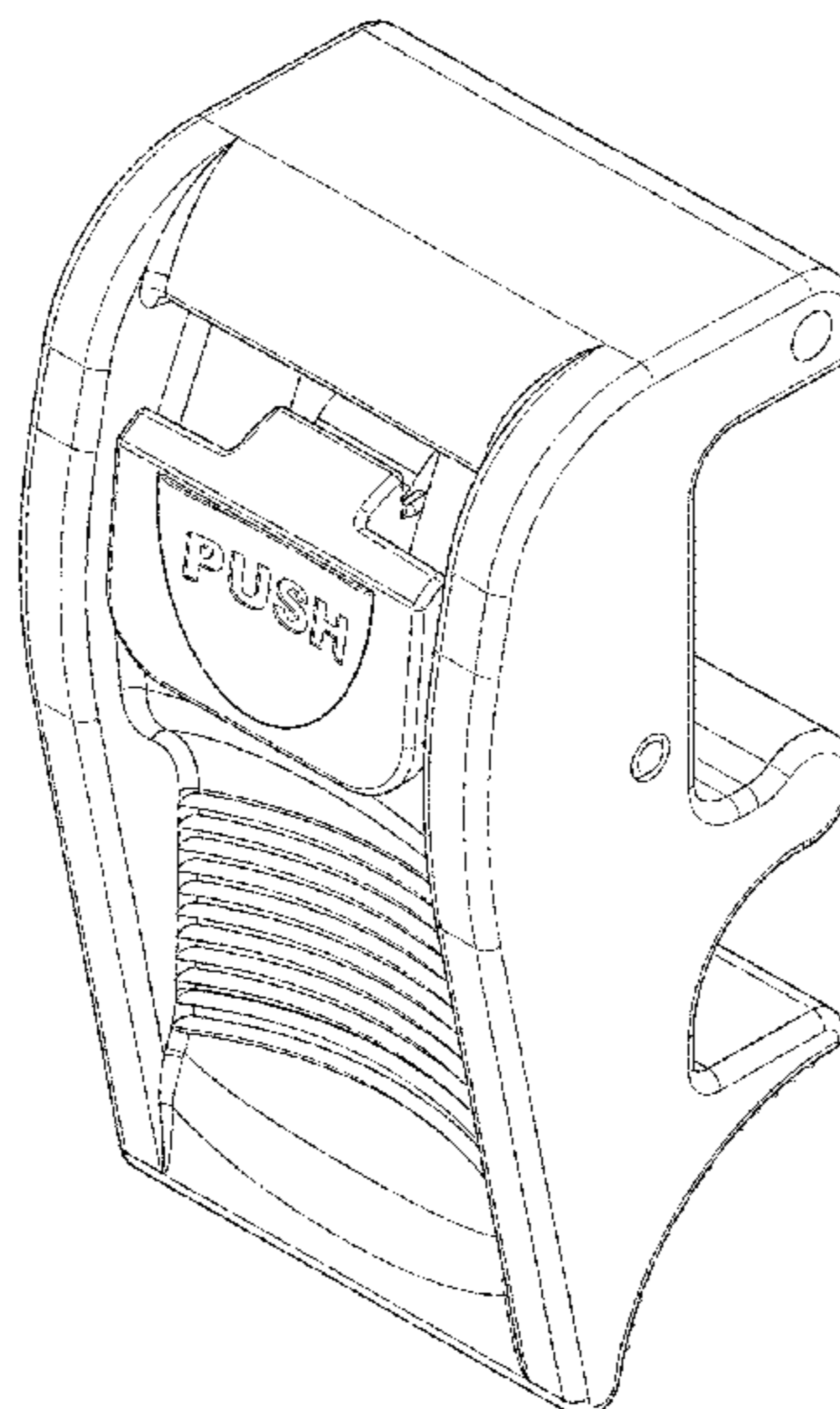
(57) **CLAIM**

The ornamental design for a closing device, as shown and described.

DESCRIPTION

FIG. 1 is a front perspective view of the closing device showing my new design, in a first embodiment;
FIG. 2 is a rear perspective view thereof;
FIG. 3 is a front view thereof;
FIG. 4 is a rear view thereof;
FIG. 5 is a left side view thereof;
FIG. 6 is a top view thereof;
FIG. 7 is a bottom view thereof.
FIG. 8 is a front perspective view of the closing device showing my new design, in a second embodiment;
FIG. 9 is a rear perspective view thereof;
FIG. 10 is a front view thereof;
FIG. 11 is a rear view thereof;
FIG. 12 is a left side view thereof;
FIG. 13 is a top view thereof; and,
FIG. 14 is a bottom view thereof.

1 Claim, 14 Drawing Sheets



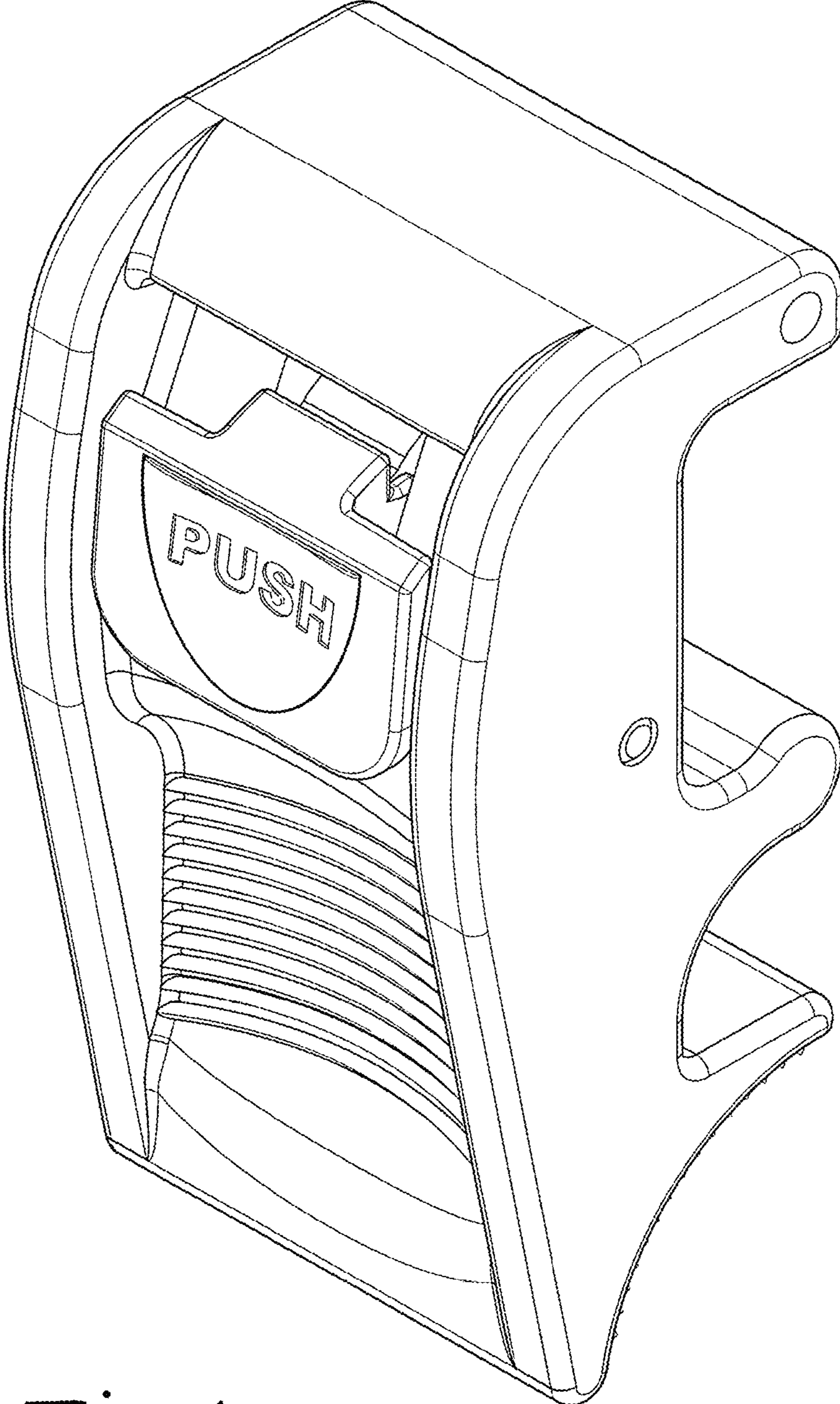


Fig. 1

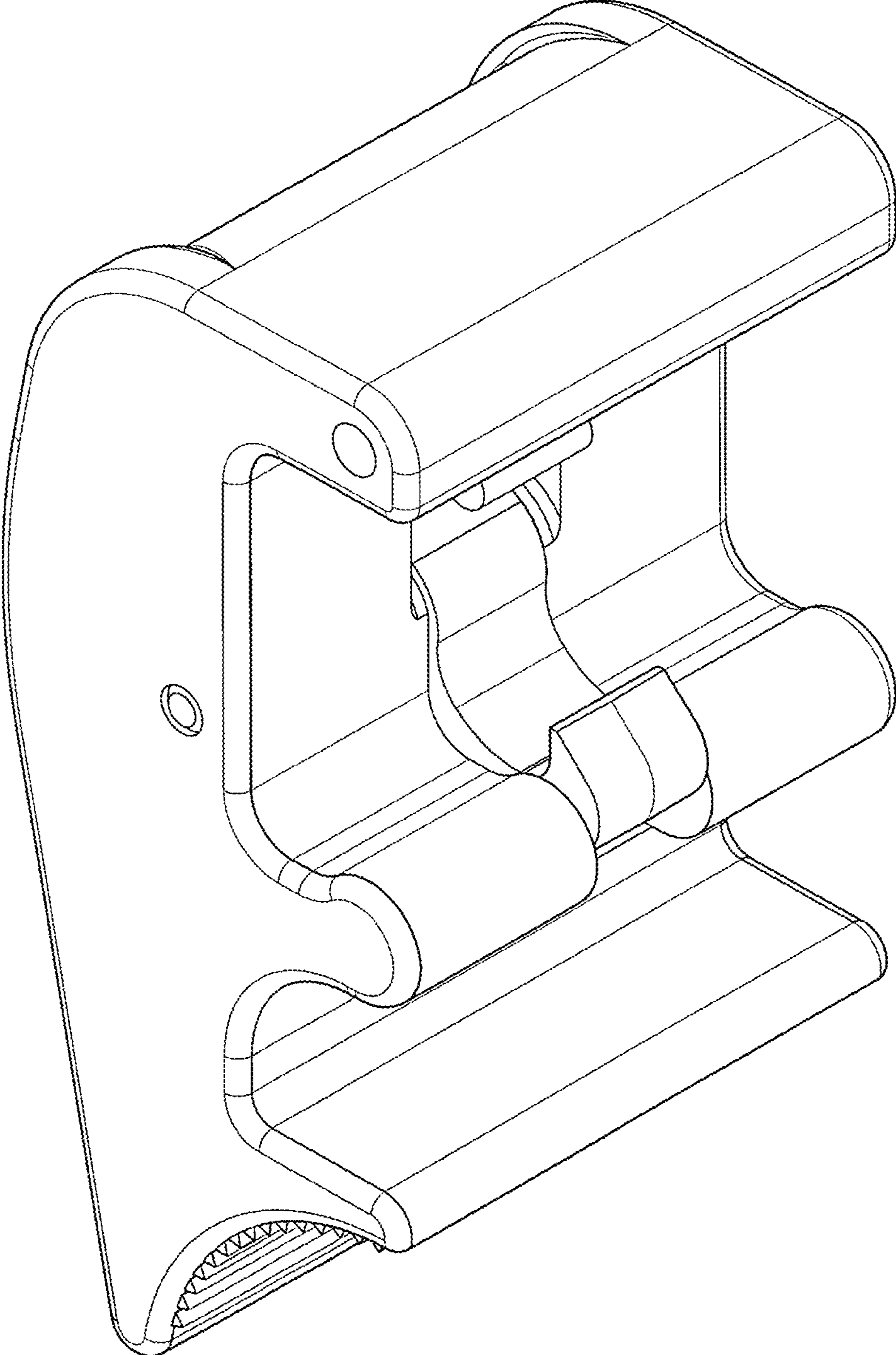


Fig. 2

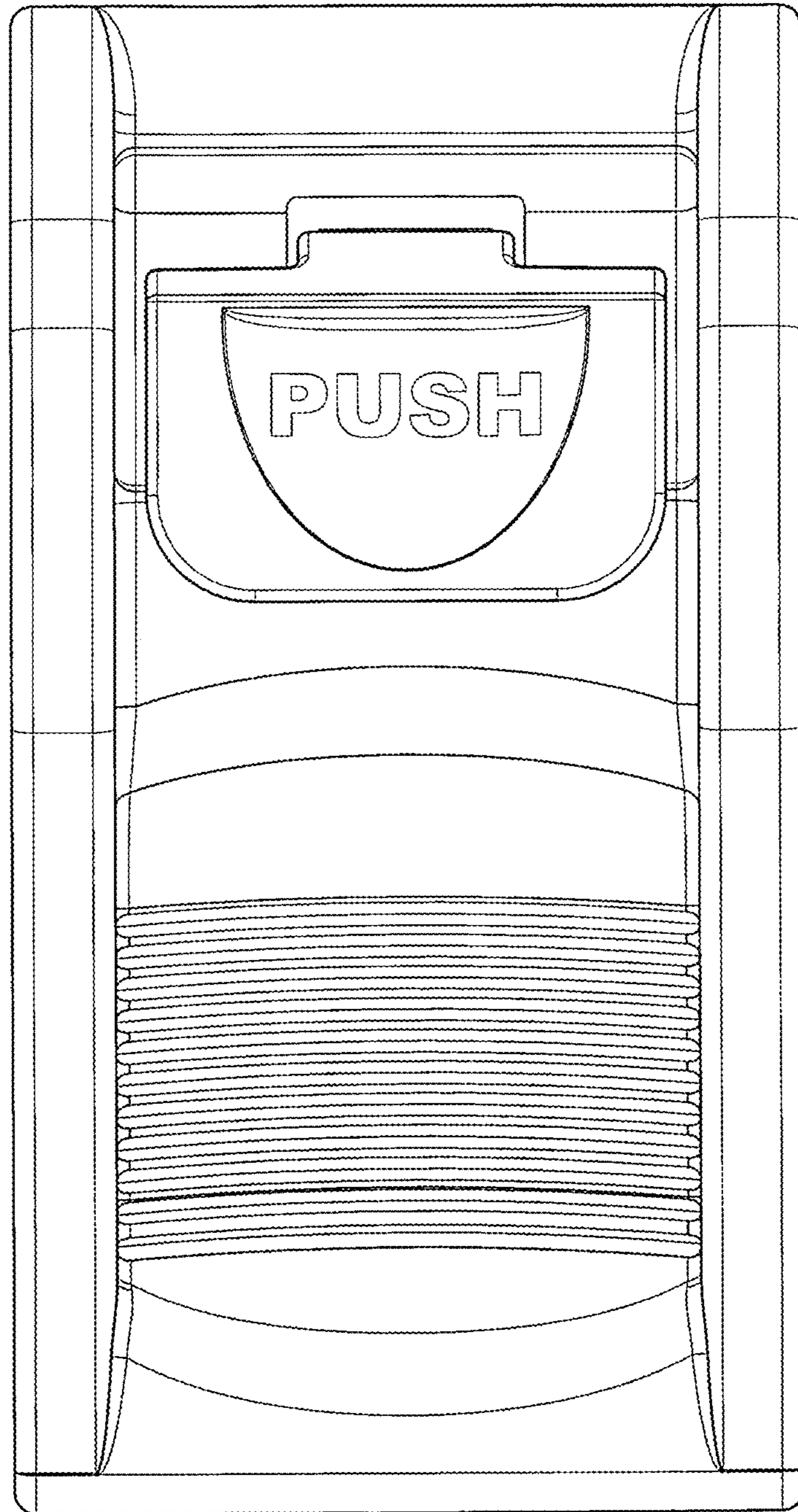


Fig. 3

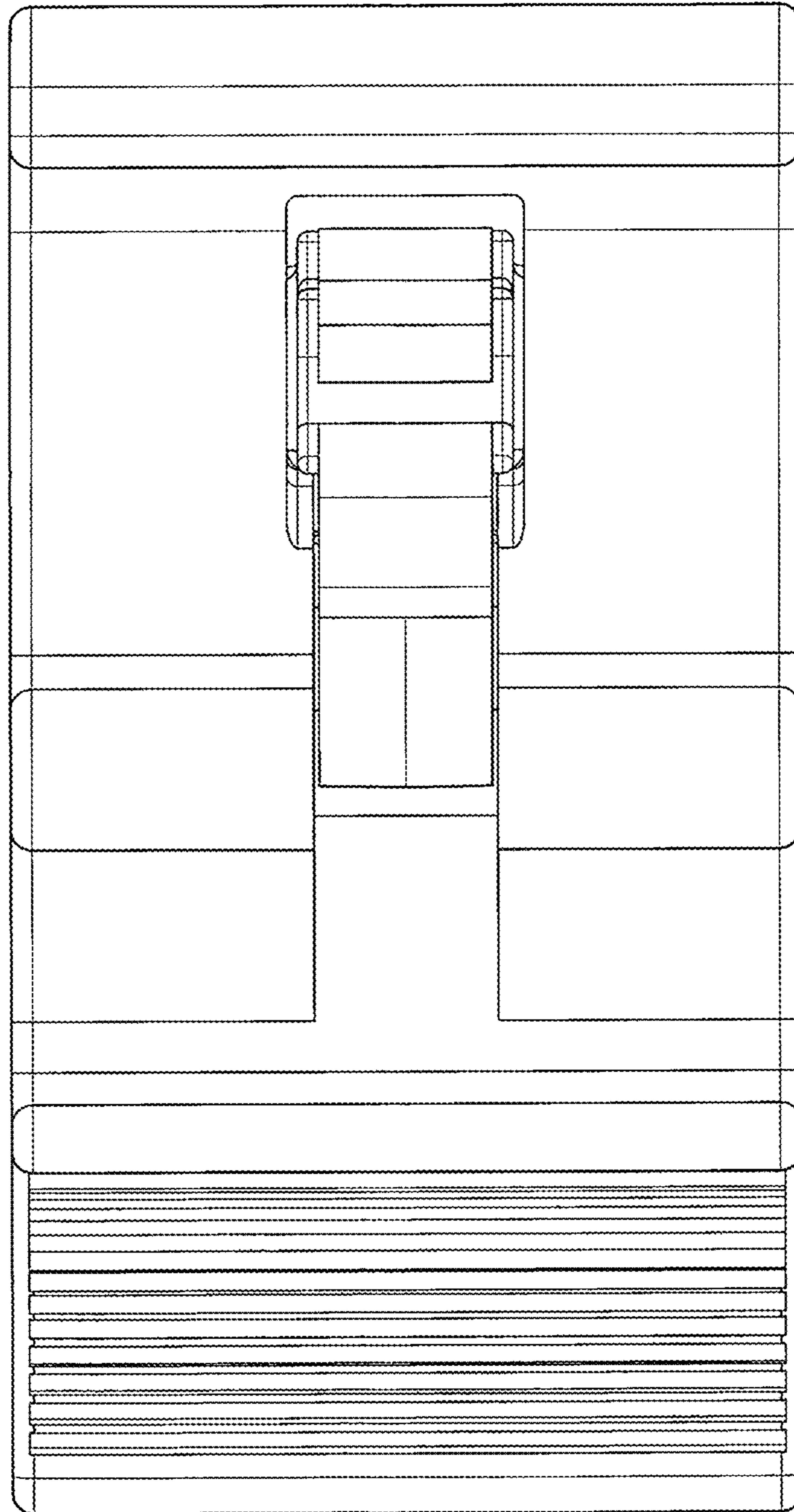


Fig. 4

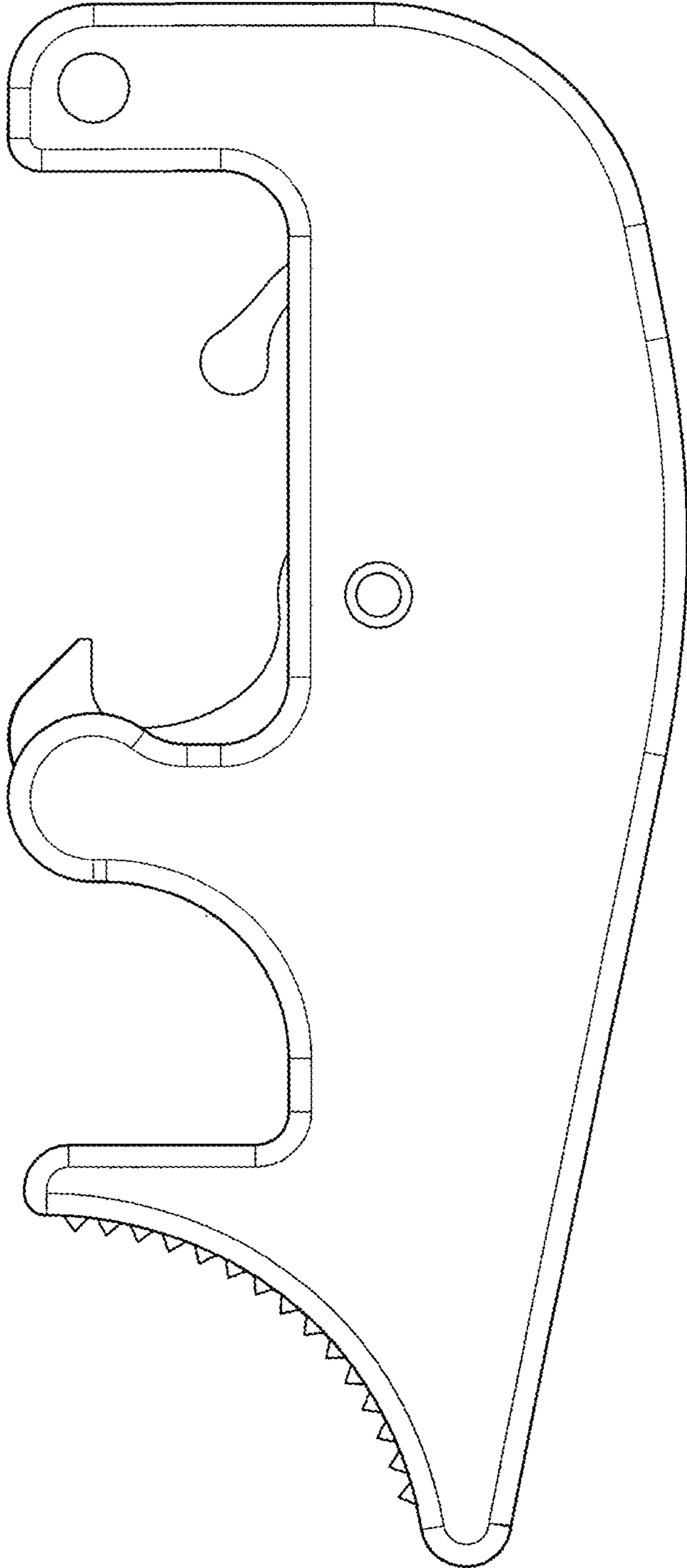


Fig. 5

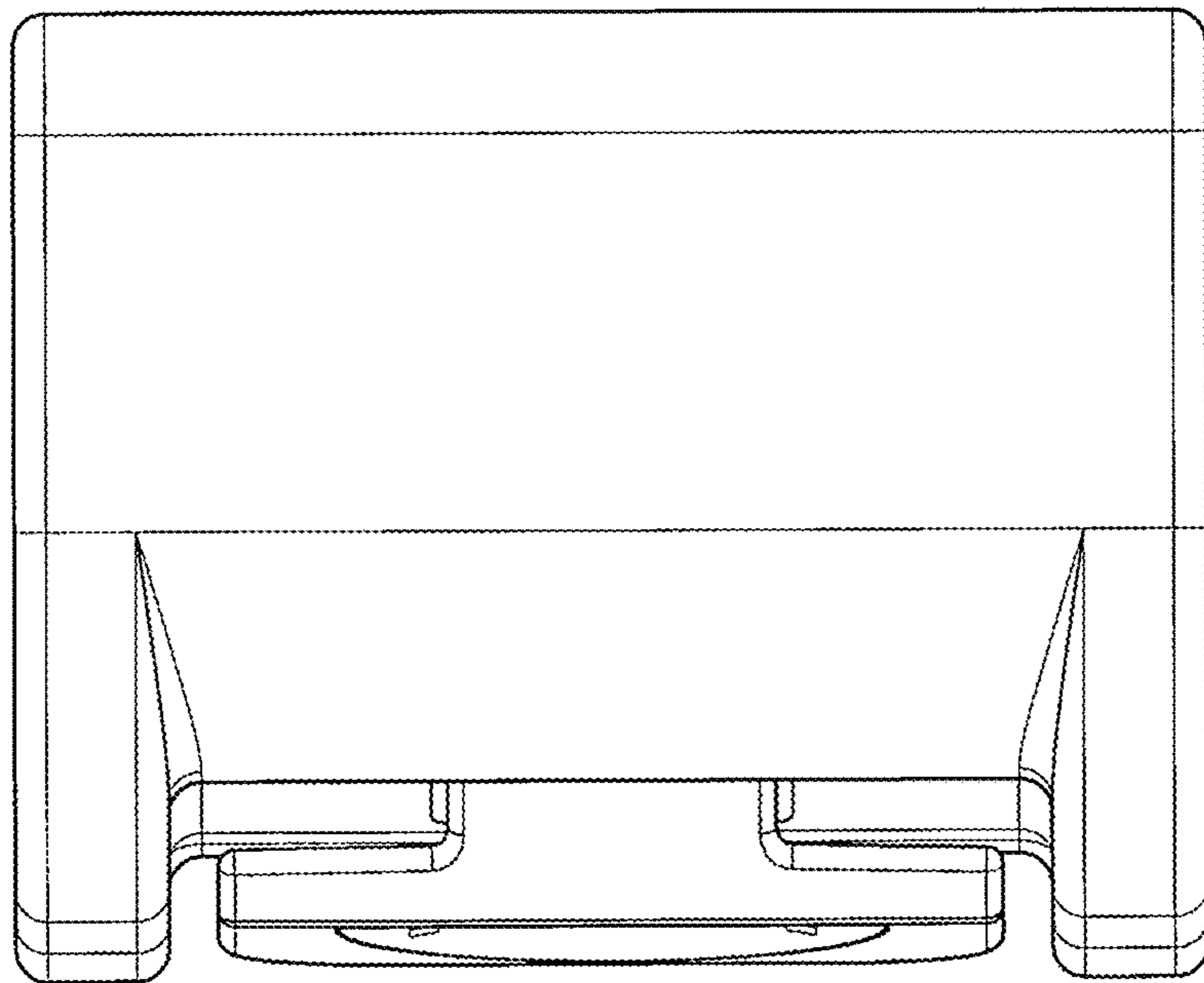


Fig. 6

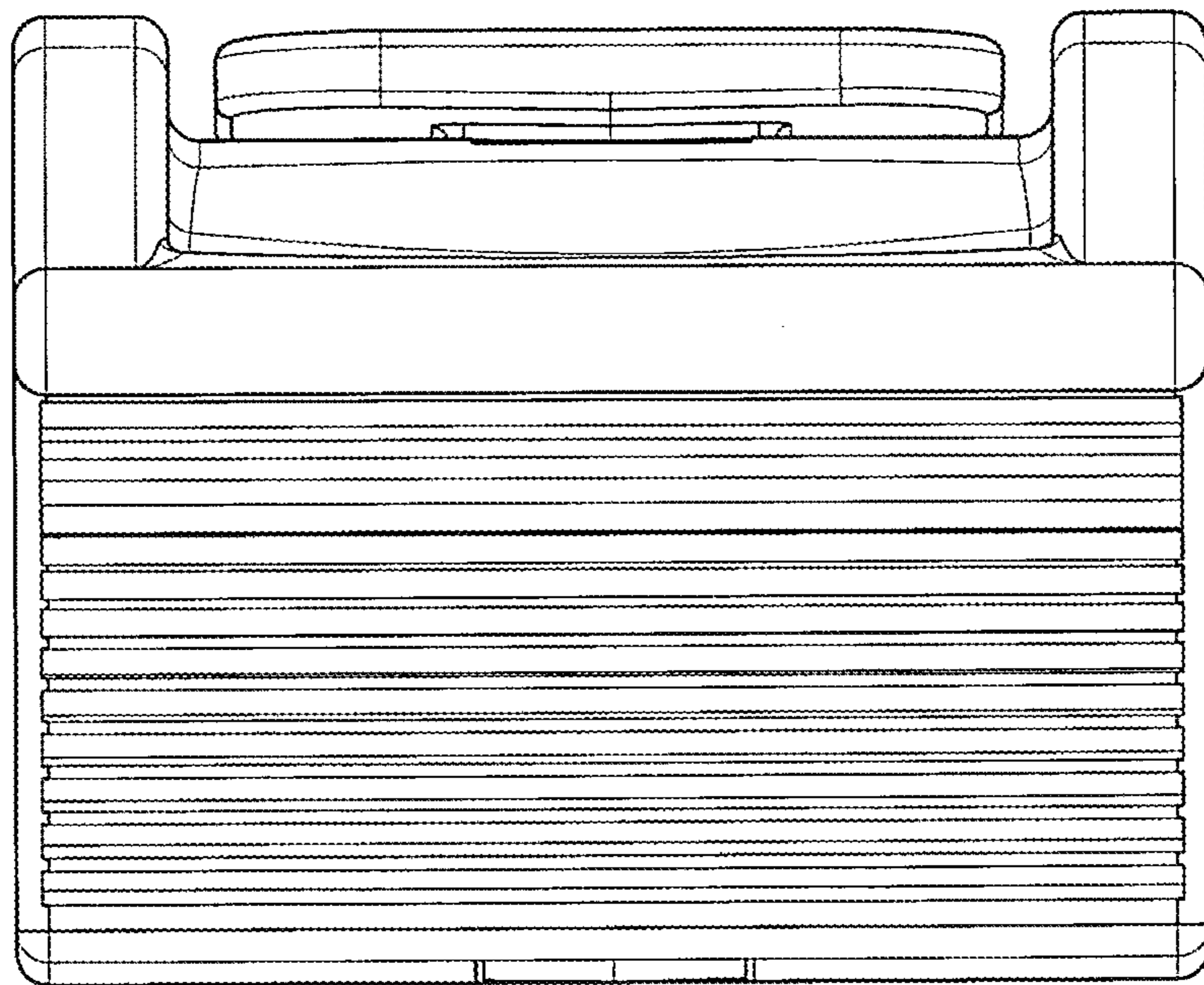


Fig. 7

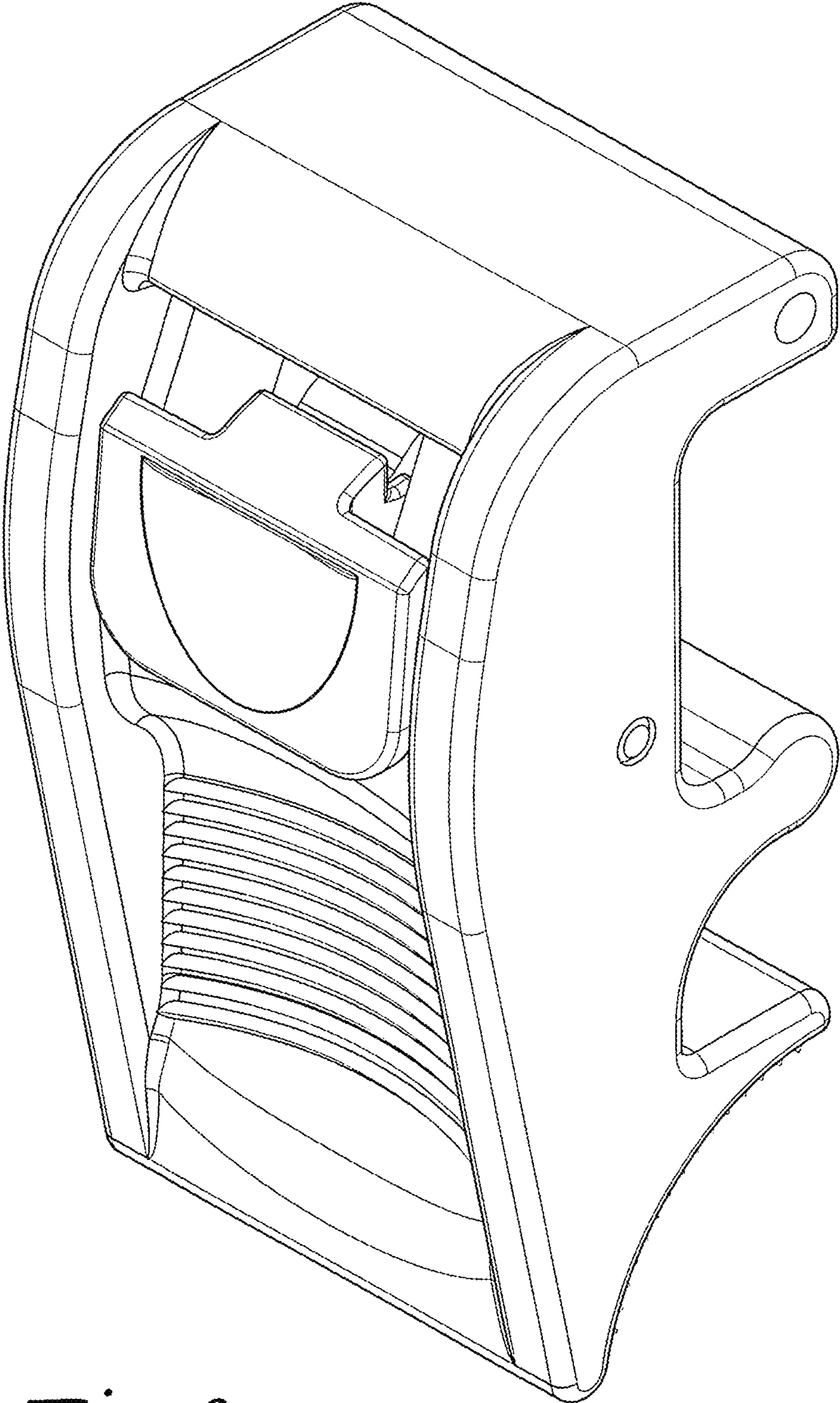


Fig. 8

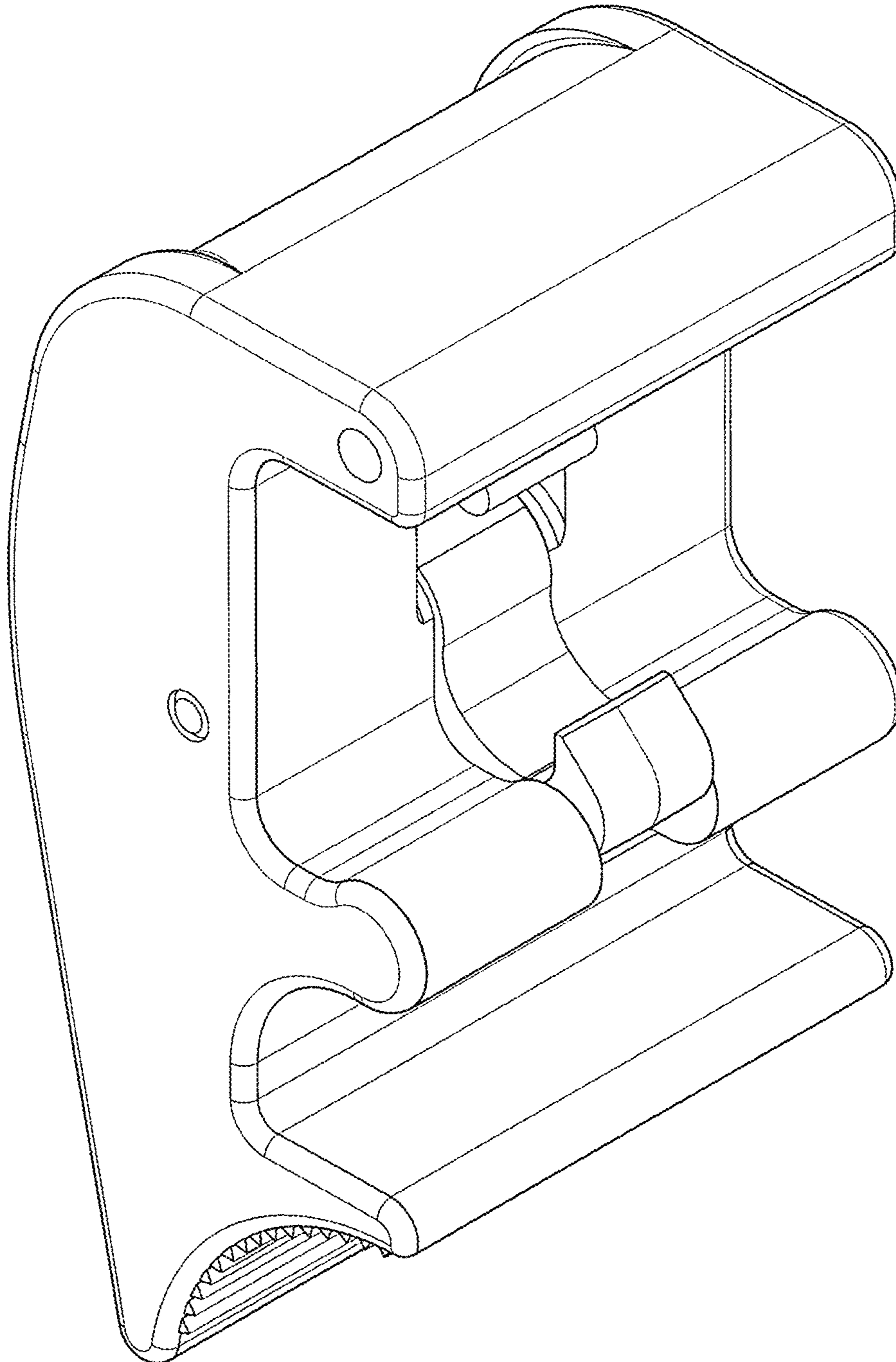


Fig. 9

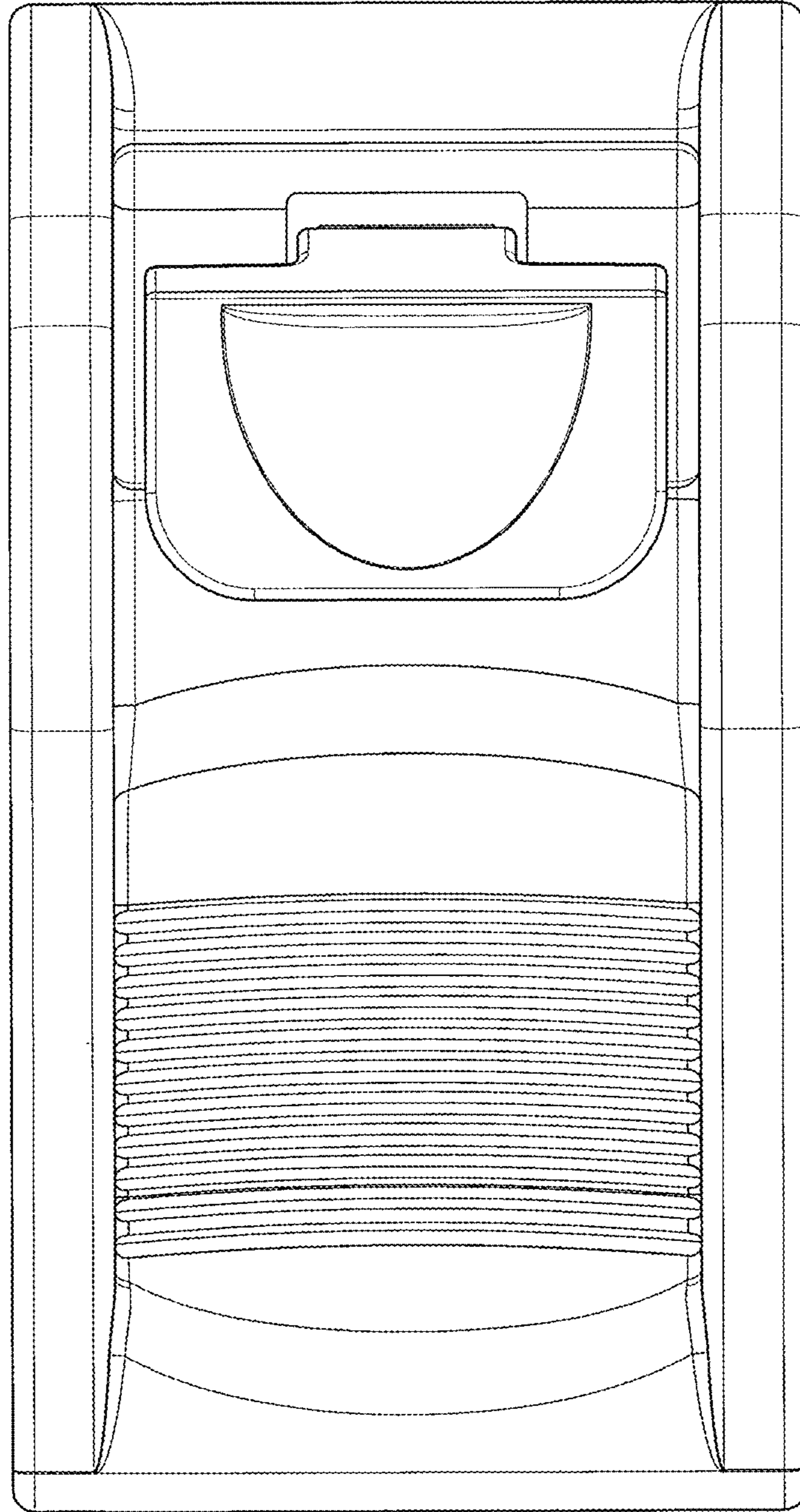


Fig. 10

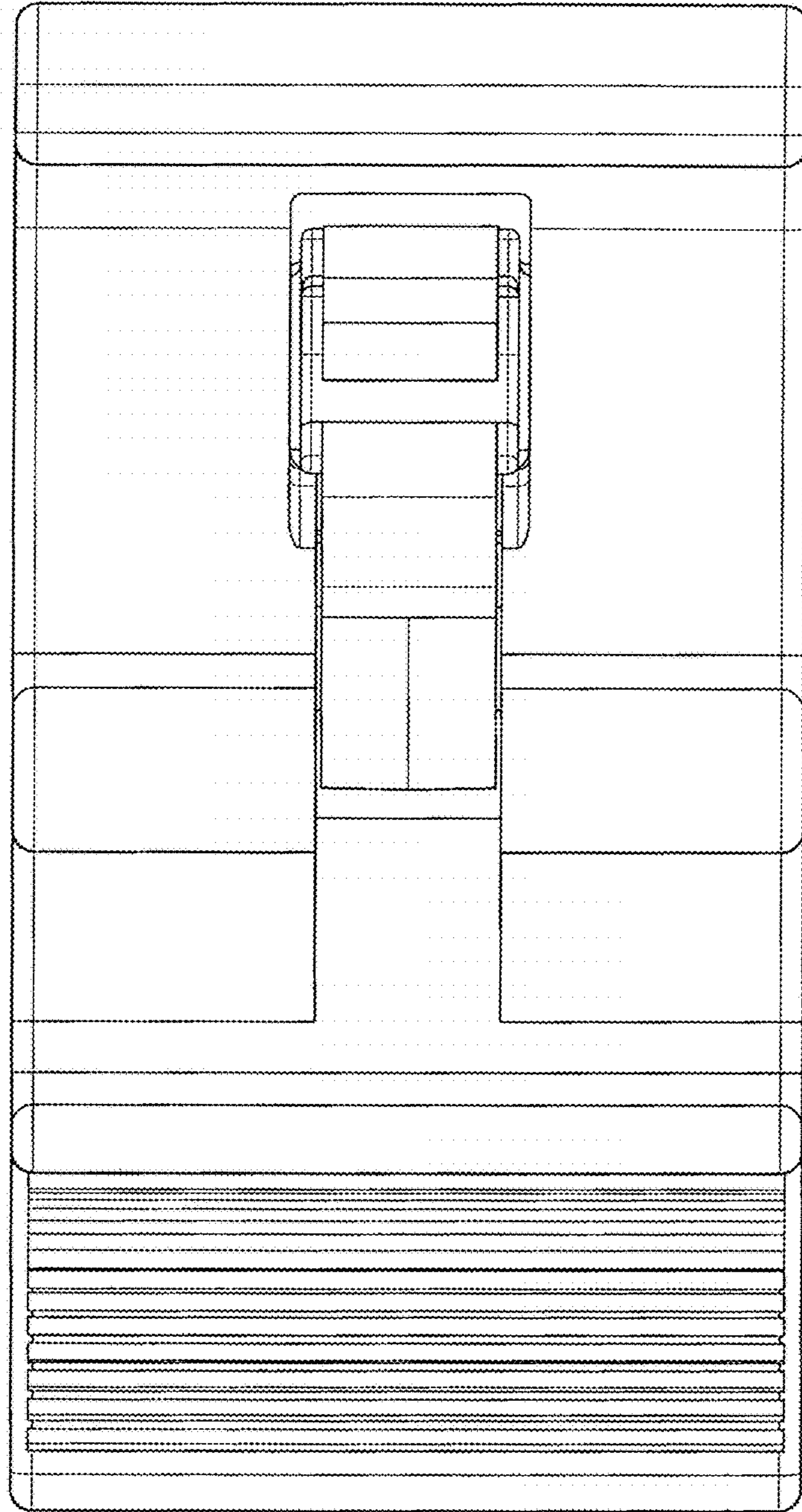


Fig. 11

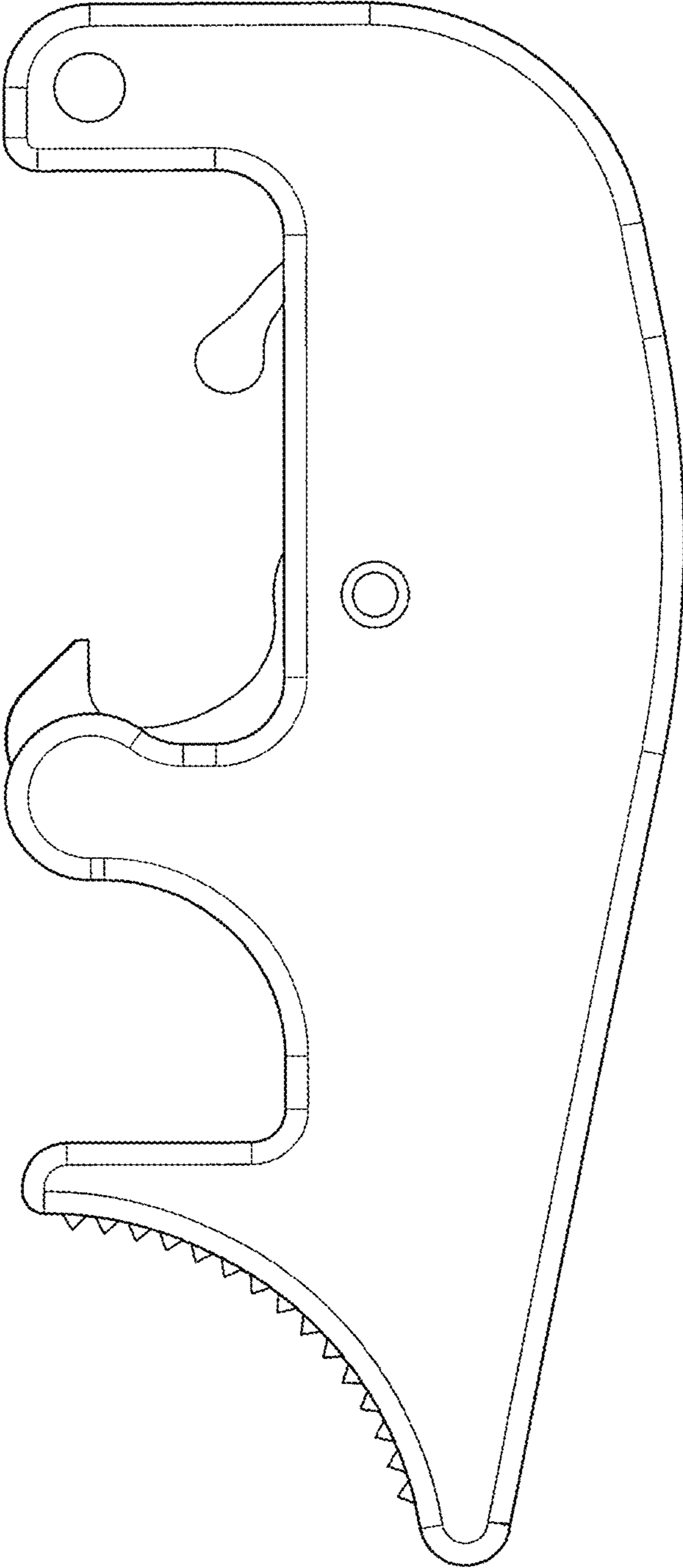


Fig. 12

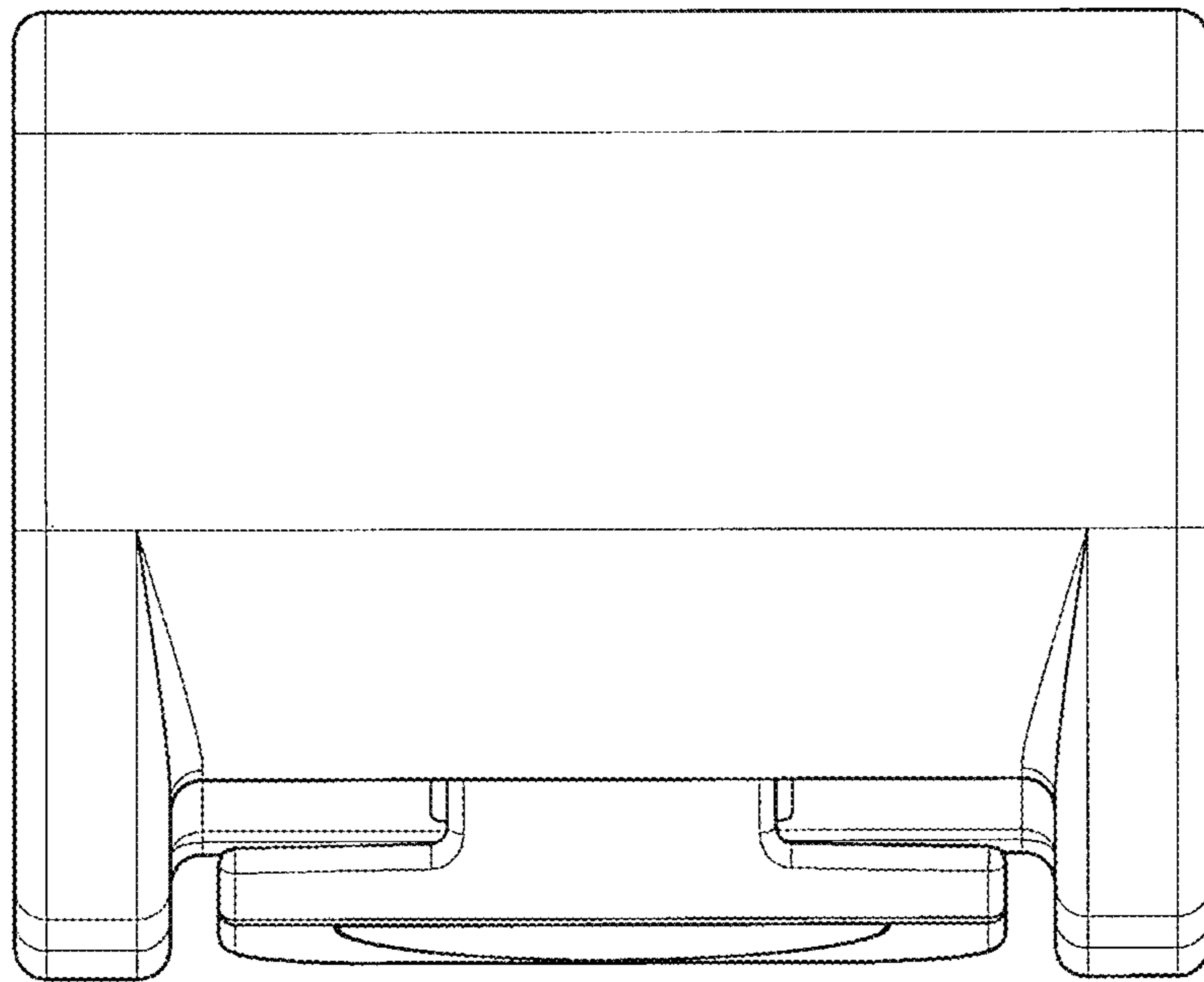


Fig. 13

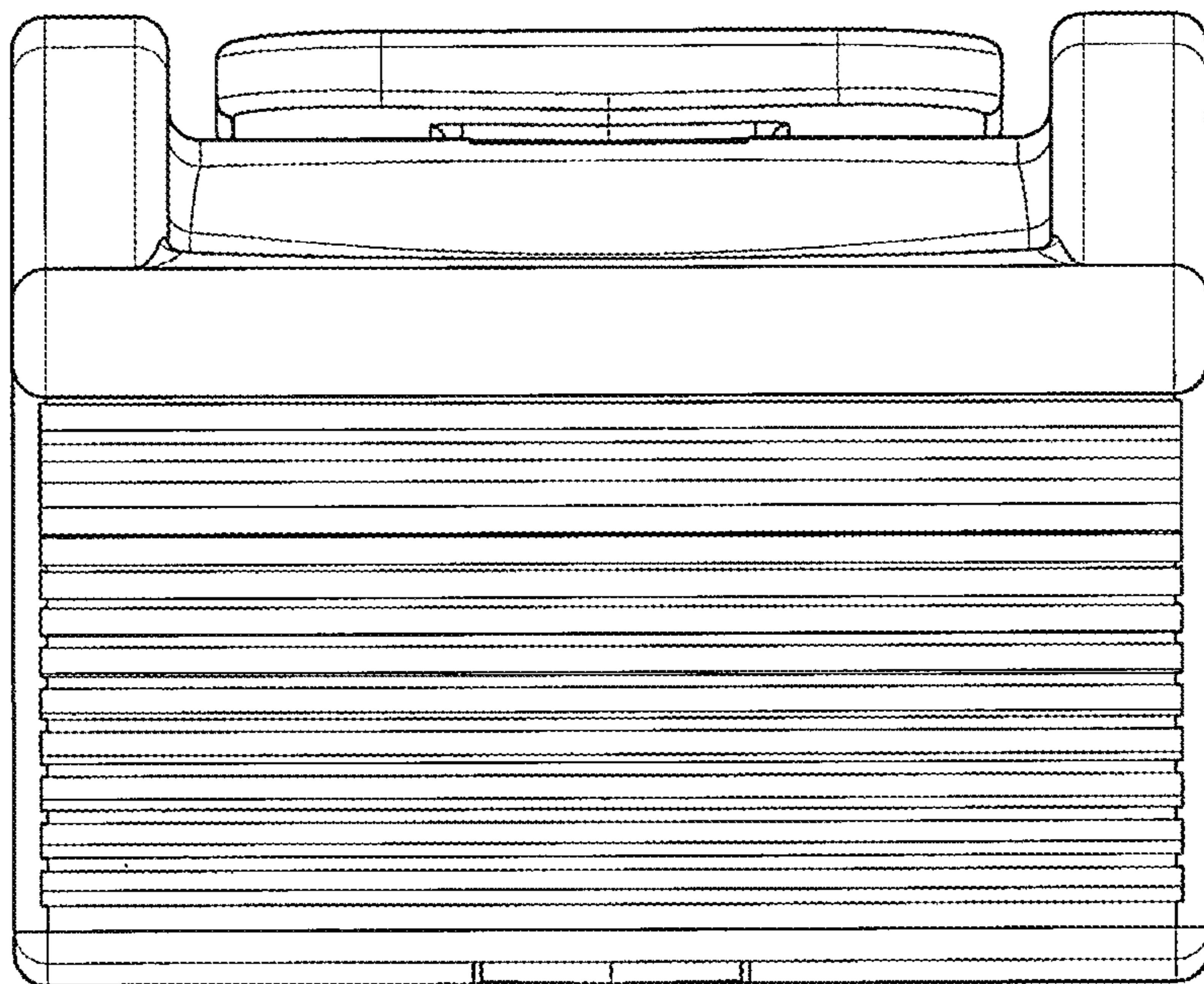


Fig. 14