



US00D778706S

(12) **United States Design Patent**
Atkins

(10) **Patent No.:** **US D778,706 S**

(45) **Date of Patent:** **** Feb. 14, 2017**

(54) **HAND GRIP**

(71) Applicant: **Leroy James Atkins**, Woodinville, WA
(US)

(72) Inventor: **Leroy James Atkins**, Woodinville, WA
(US)

(**) Term: **15 Years**

(21) Appl. No.: **29/548,819**

(22) Filed: **Dec. 16, 2015**

(51) **LOC (10) Cl.** **08-06**

(52) **U.S. Cl.**
USPC **D8/303**

(58) **Field of Classification Search**

USPC D8/107, 300, 303, 307, 311, 312, 315;
16/421, 422, 424, 425, 426, 427, 429,
16/430; D7/395; 74/551.8, 551.9; D9/434;
D3/328; 294/137, 148, 149, 158, 170, 171
CPC Y10T 16/469; Y10T 16/476; Y10T
74/20828; Y10T 74/20822; Y10T 16/466;
Y10T 16/4713; Y10T 16/4707; Y10T
16/44; Y10T 74/2078; Y10T 74/20732;
Y10T 74/20864; Y10T 16/4559; Y10T
74/2028; Y10T 292/57; Y10T 16/4576;
Y10T 408/96; Y10T 74/20612; Y10T
407/1825; Y10T 74/20642; Y10T 408/65;
Y10T 70/5872; Y10T 74/2042; Y10T
74/20396; Y10T 29/53943; Y10T
403/1649; B25G 1/102; B25G
1/10; B25G 1/105; B25G 3/00; B25G
1/085

See application file for complete search history.

(56) **References Cited**

U.S. PATENT DOCUMENTS

2,448,894 A * 9/1948 Laus A45F 5/1046
16/411
3,016,763 A * 1/1962 Albert B62K 21/26
74/551.9

3,713,350 A * 1/1973 Brilando B62K 21/26
74/551.9
4,890,355 A * 1/1990 Schulten A45F 5/1046
16/421
D319,569 S * 9/1991 Clark D9/434
5,251,380 A * 10/1993 Craig B25G 1/102
16/421
D361,934 S * 9/1995 Croteau D9/434
D369,745 S * 5/1996 Kitazaki 294/171
D372,425 S * 8/1996 Kirkwood D9/434
D374,621 S * 10/1996 Salazar, Jr. D9/434

(Continued)

Primary Examiner — Derrick Holland

Assistant Examiner — Lauren Calve

(74) *Attorney, Agent, or Firm* — QuickPatents, LLC;
Kevin Prince

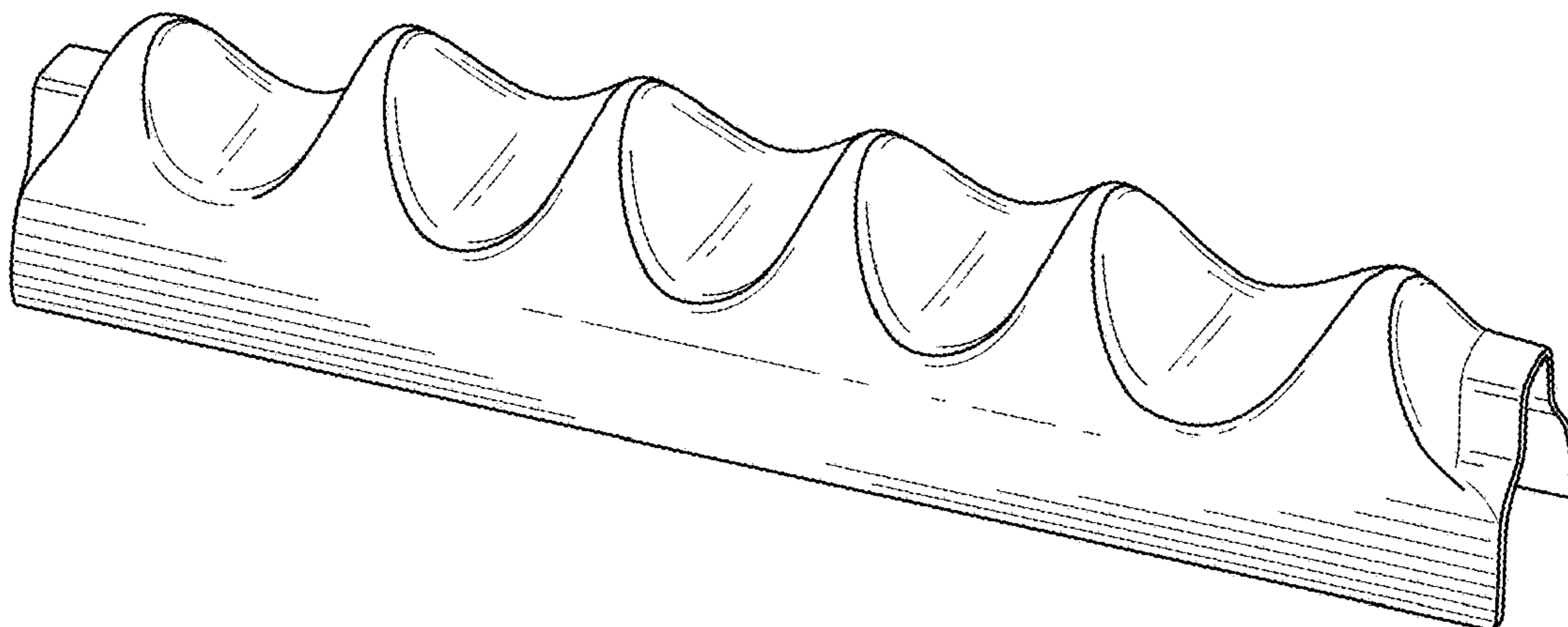
(57) **CLAIM**

I claim the ornamental design for a hand grip, as shown and described.

DESCRIPTION

FIG. 1 is a perspective view of a hand grip according to a first embodiment;
FIG. 2 is a right-side elevational view of FIG. 1;
FIG. 3 is a left-side elevational view of FIG. 1;
FIG. 4 is a top plan view of FIG. 1, the bottom plan view being a mirror image thereof;
FIG. 5 is a front elevational view of FIG. 1;
FIG. 6 is a rear elevational view of FIG. 1;
FIG. 7 is a perspective view of a hand grip according to a second embodiment;
FIG. 8 is a right-side elevational view of FIG. 7;
FIG. 9 is a left-side elevational view of FIG. 7;
FIG. 10 is a top plan view of FIG. 7, the bottom plan view being a mirror image thereof;
FIG. 11 is a front elevational view of FIG. 7; and,
FIG. 12 is a rear elevational view of FIG. 7.

1 Claim, 4 Drawing Sheets



(56)

References Cited

U.S. PATENT DOCUMENTS

D384,279 S * 9/1997 Hepworth D9/434
 5,797,165 A * 8/1998 Armbrust A63B 23/16
 16/422
 D401,505 S * 11/1998 Michael D9/434
 6,036,117 A * 3/2000 Heren B05B 1/3073
 239/456
 D430,029 S * 8/2000 Folmar D9/434
 D436,036 S * 1/2001 Manseau D9/434
 D440,492 S * 4/2001 Ellers D9/434
 D446,652 S * 8/2001 Quintana D3/328
 D448,131 S * 9/2001 Ver Haar D32/54
 6,363,813 B1 * 4/2002 Vian B60T 7/08
 16/436
 D463,952 S * 10/2002 Zemel D7/395
 D474,370 S * 5/2003 Margolin D7/395
 D498,592 S * 11/2004 Kelley D3/328
 D558,023 S * 12/2007 Finochiaro D8/107
 D566,546 S * 4/2008 Williamson D9/434
 D573,351 S * 7/2008 Angers D4/138
 D573,866 S * 7/2008 Smith D8/107
 D574,233 S * 8/2008 Young, Sr. D9/434
 7,506,398 B2 * 3/2009 Martin B25G 1/06
 15/144.1
 D621,602 S * 8/2010 White D3/12
 D624,411 S * 9/2010 Puerta D9/434
 D647,801 S * 11/2011 Werdowatz D9/434
 D725,986 S * 4/2015 May D8/303
 2006/0087139 A1 * 4/2006 Ayres A45F 5/1026
 294/137
 2006/0163894 A1 * 7/2006 Mishek A45F 5/1046
 294/171
 2013/0253469 A1 * 9/2013 Freed A61M 25/0136
 604/500

* cited by examiner

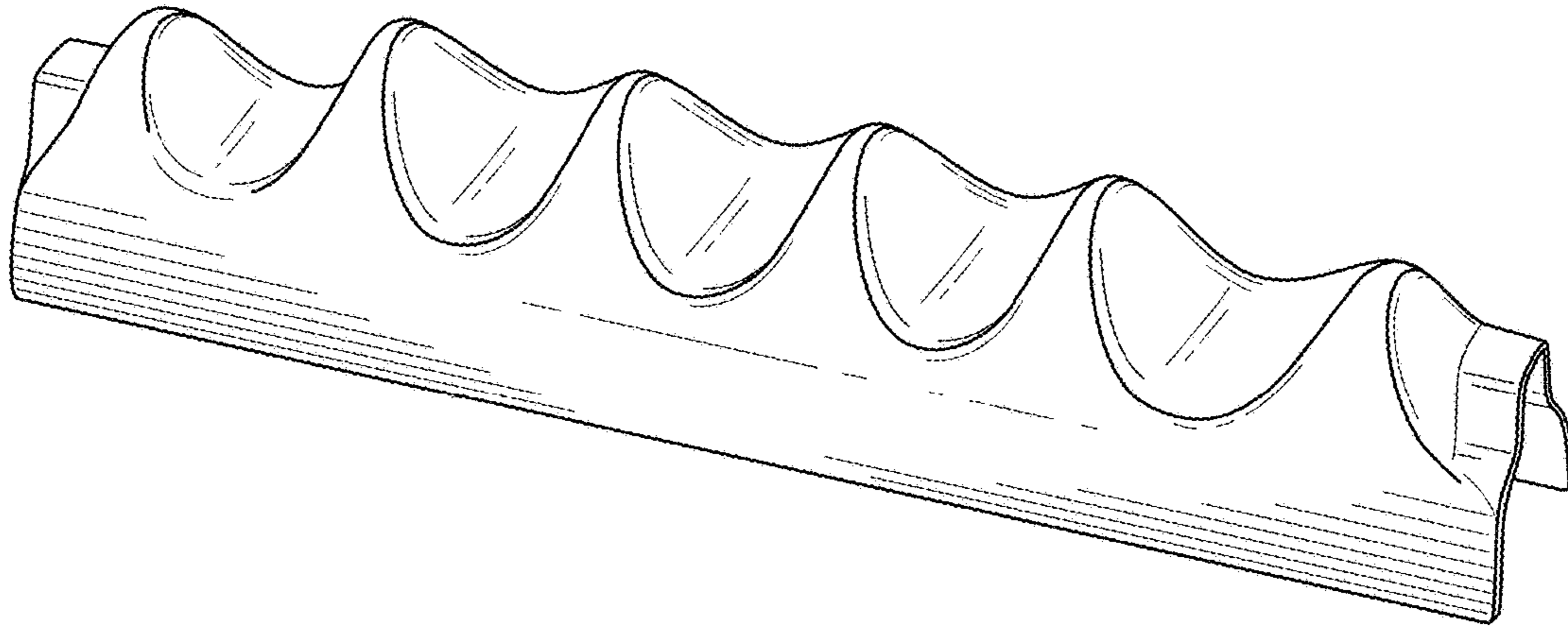


FIG. 1

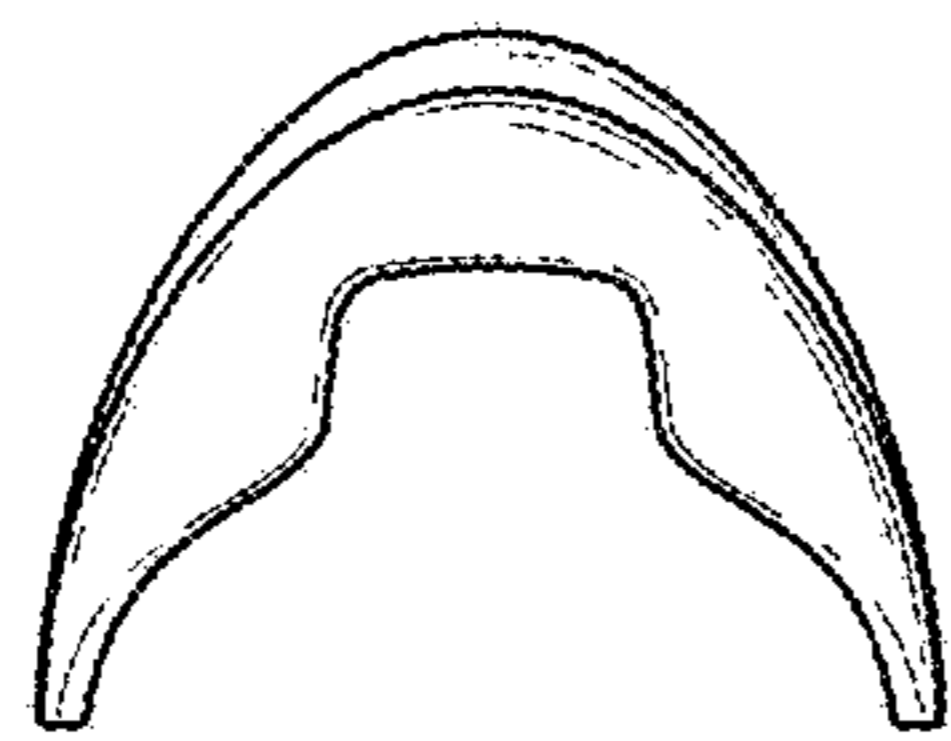


FIG. 2

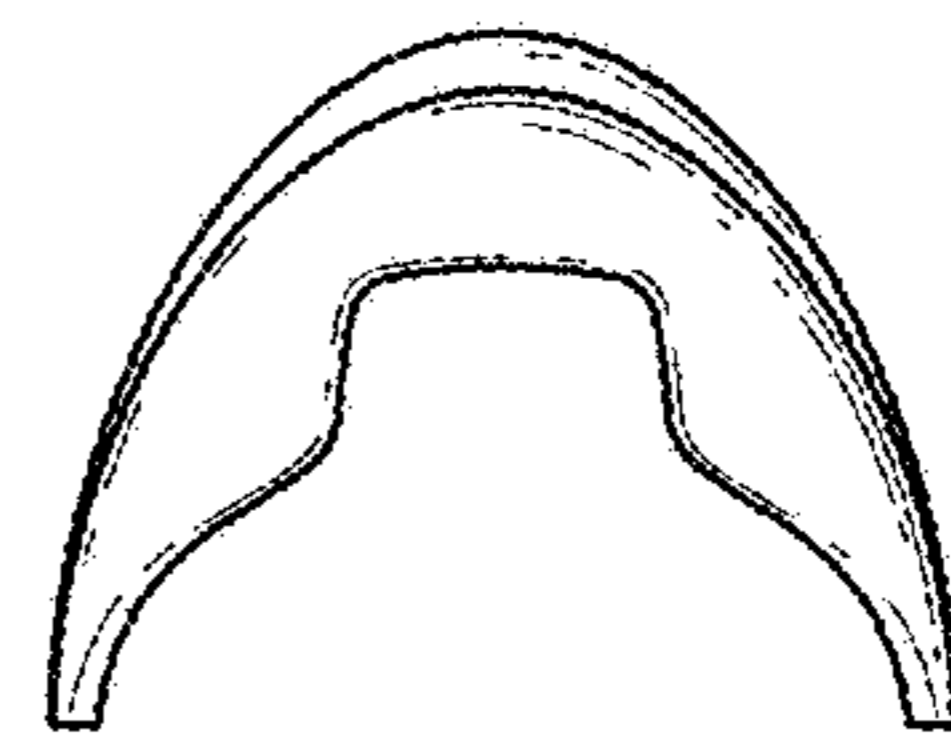


FIG. 3

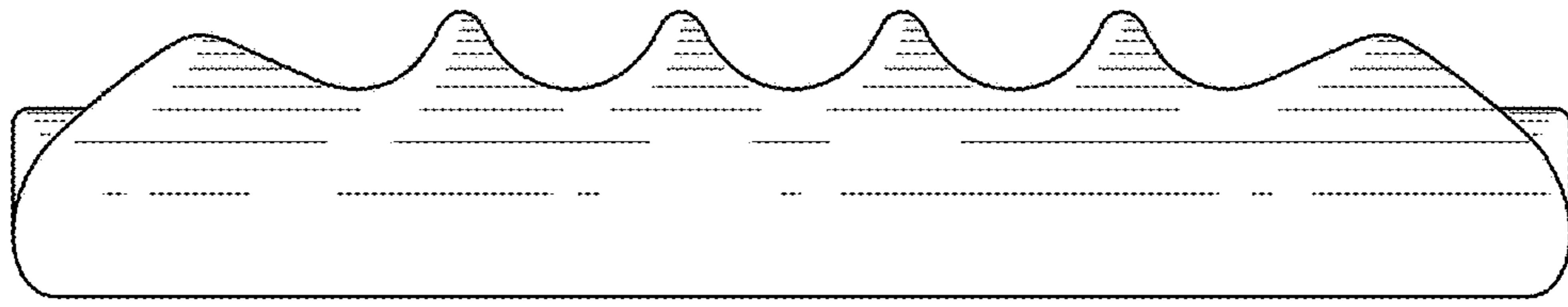


FIG. 4

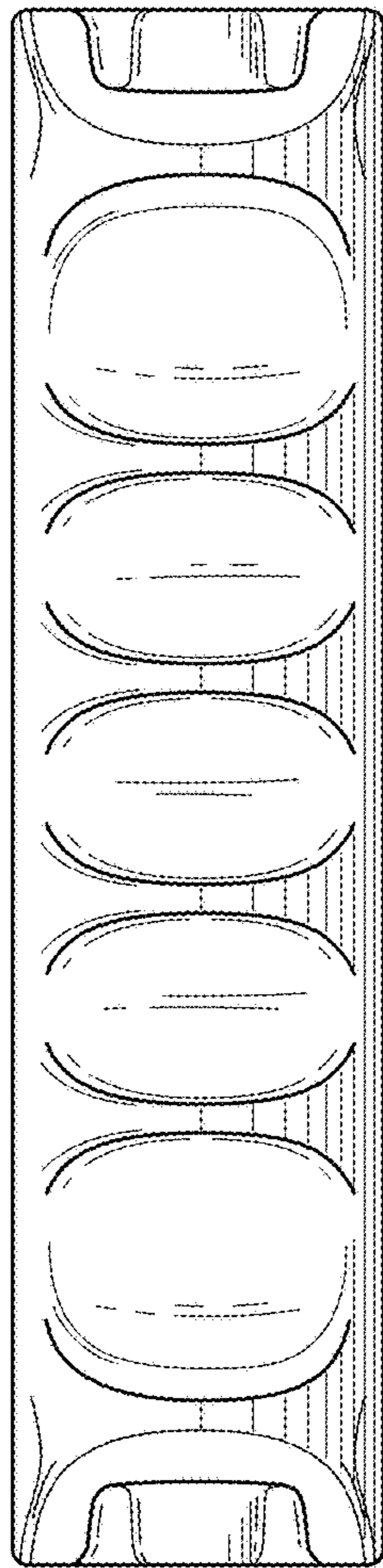


FIG. 5

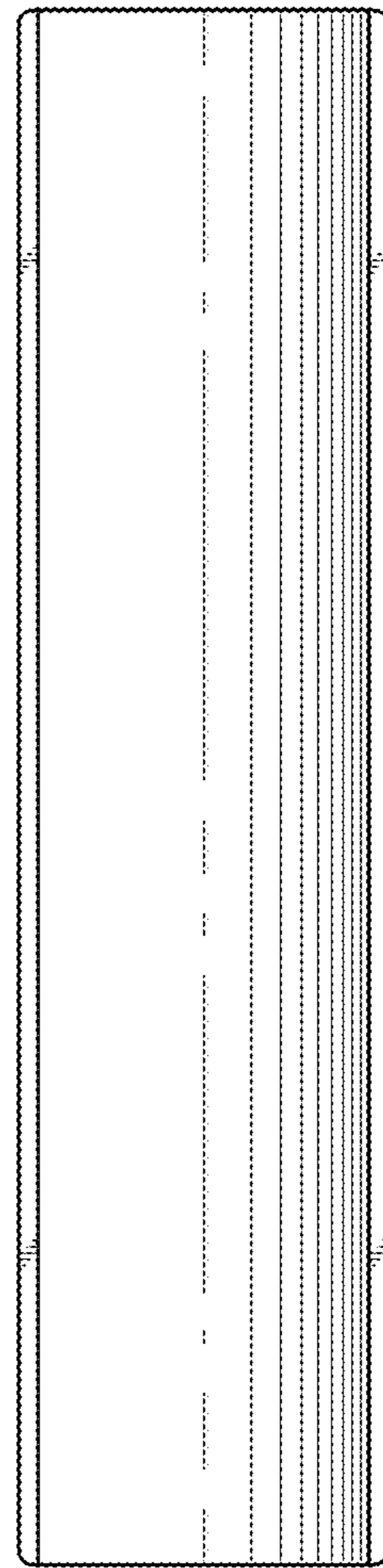


FIG. 6

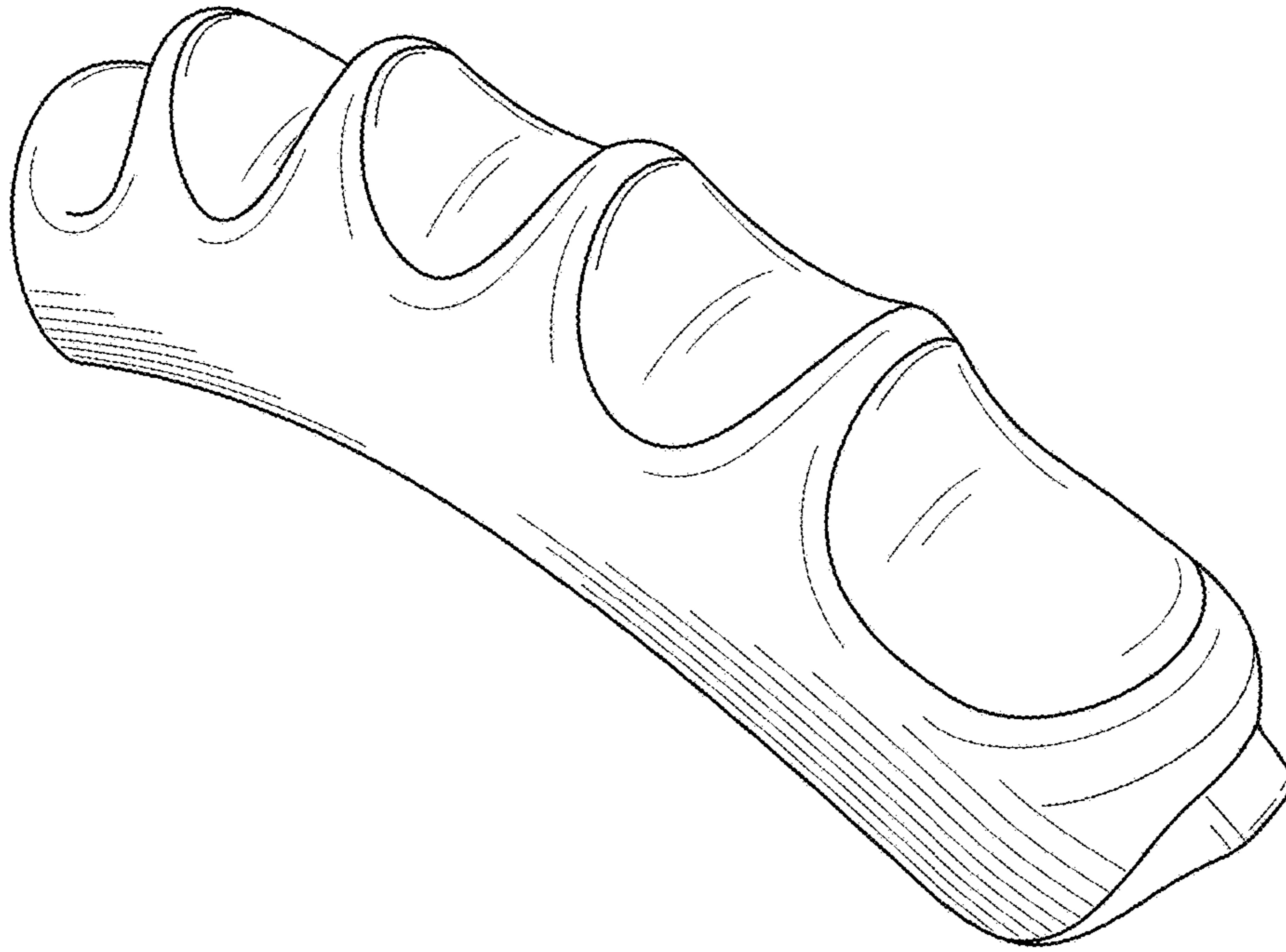


FIG. 7

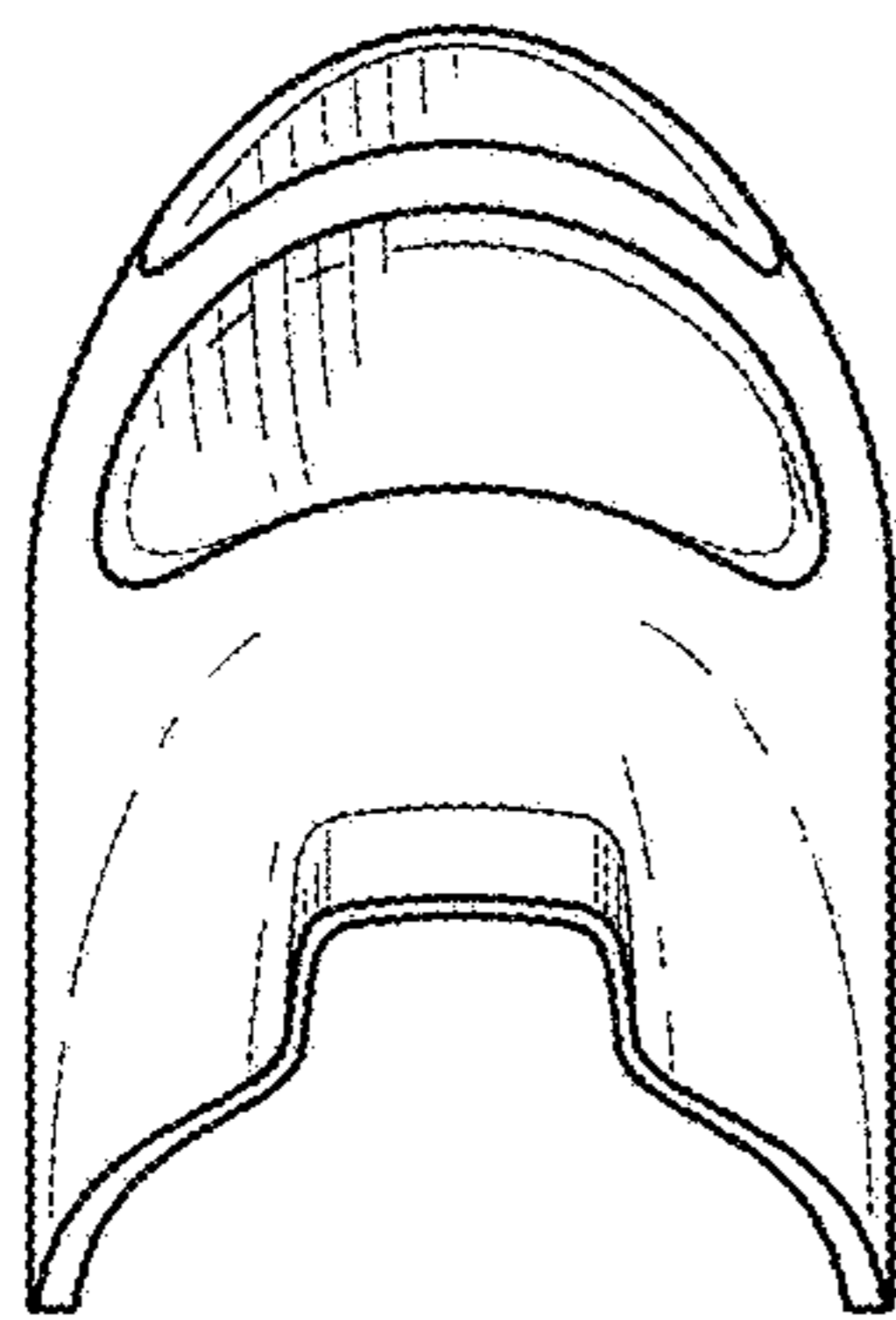


FIG. 8

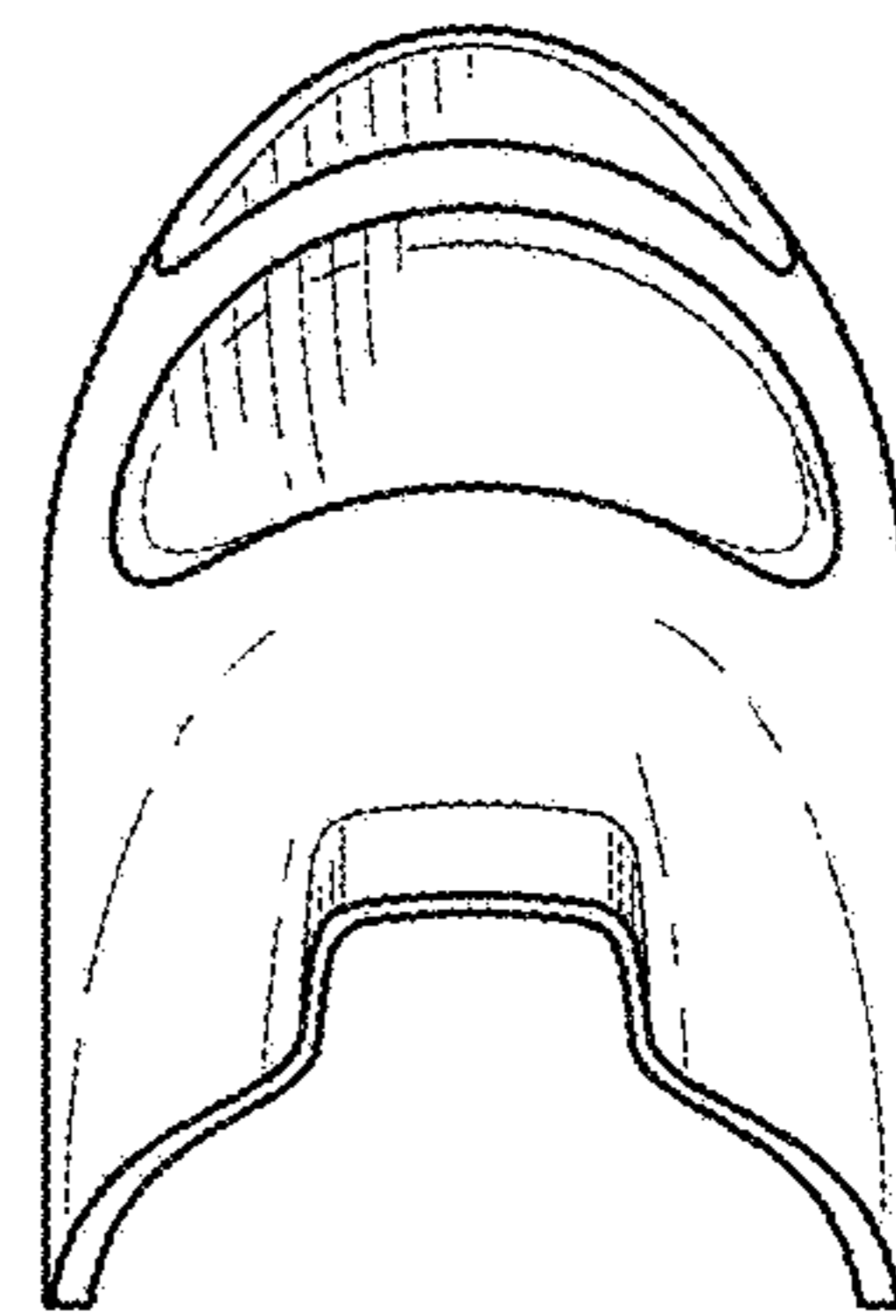


FIG. 9

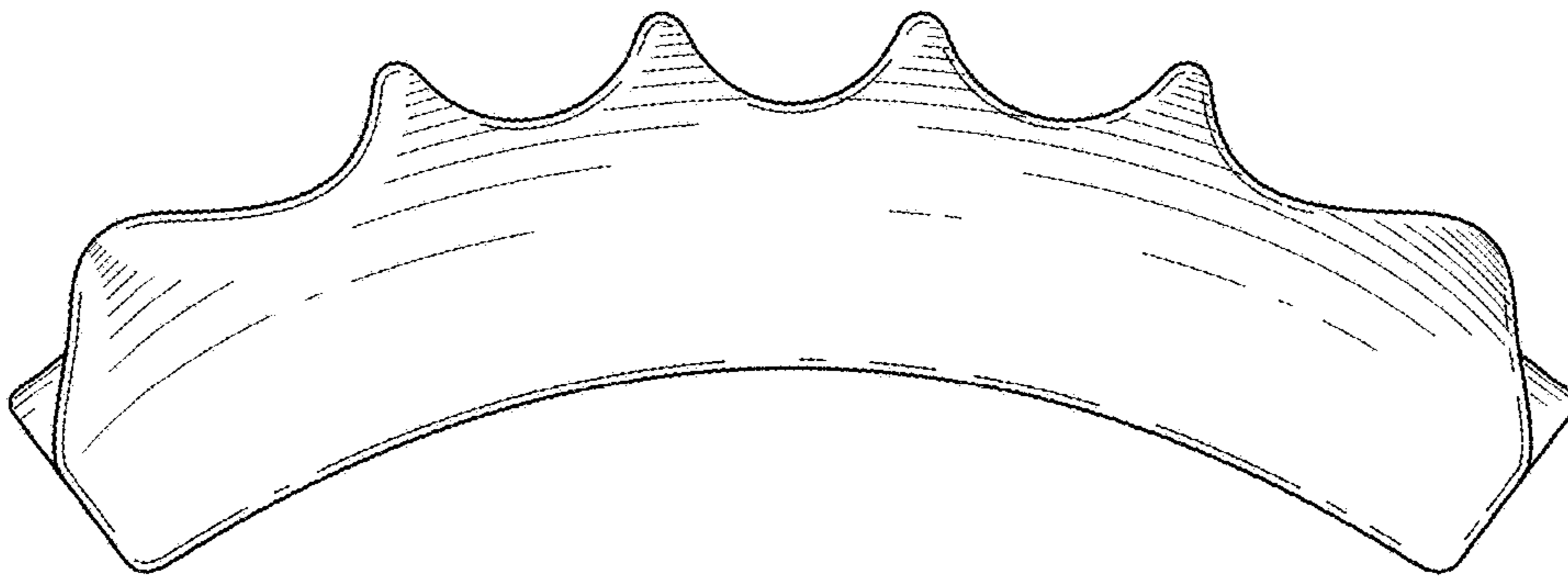


FIG. 10

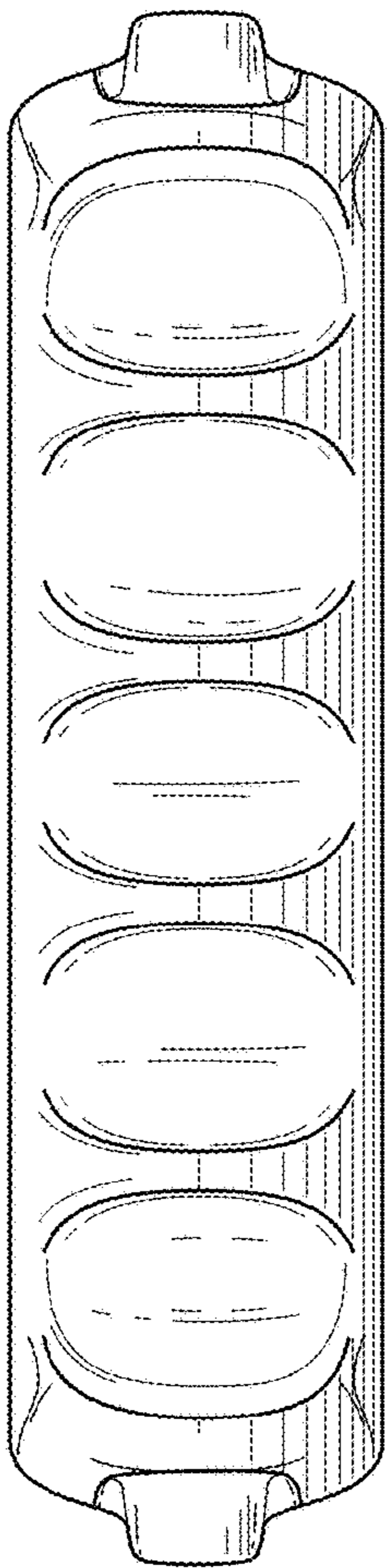


FIG. 11

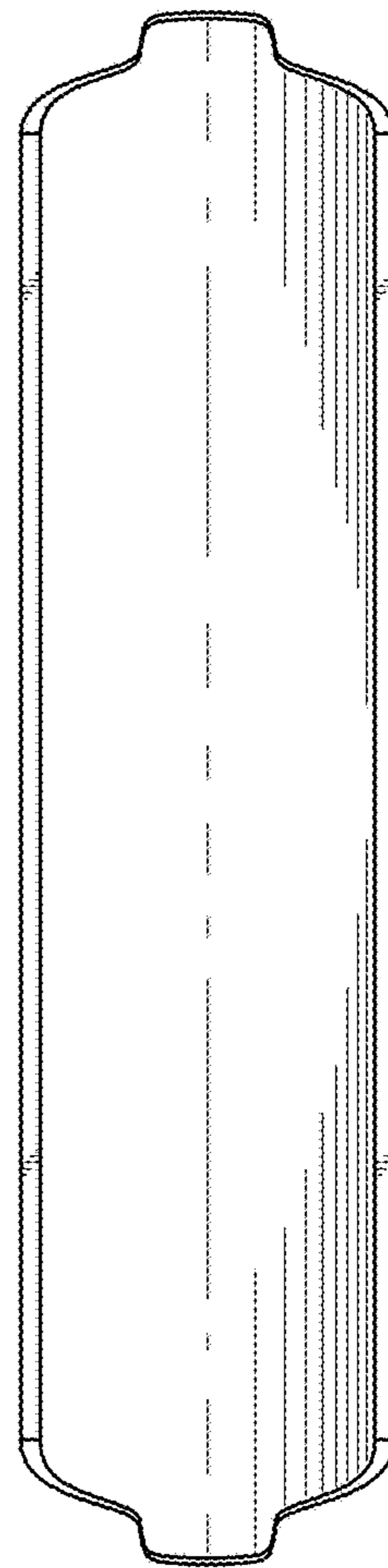


FIG. 12