



US00D778704S

(12) **United States Design Patent**
Chen

(10) **Patent No.:** **US D778,704 S**

(45) **Date of Patent:** **** Feb. 14, 2017**

- (54) **SCREWDRIVER BIT**
- (71) Applicant: **JEI MOU INDUSTRIAL CO., LTD.**,
Taichung (TW)
- (72) Inventor: **Bo-Shen Chen**, Taichung County (TW)
- (73) Assignee: **Jei Mou Industrial Co., Ltd.**, Taichung
(TW)

D653,519 S *	2/2012	Lucio	D8/86
8,418,587 B2 *	4/2013	DeBaker	B25B 15/002
			81/436
D690,363 S *	9/2013	Yamanaka	D19/200
D706,106 S *	6/2014	Chen	D8/86
D725,984 S *	4/2015	Moss	D8/86
2008/0034928 A1 *	2/2008	Sheu	B25B 13/56
			81/177.1

(**) Term: **15 Years**

* cited by examiner

Primary Examiner — Phillip S Hyder

(74) *Attorney, Agent, or Firm* — Wang Law Firm, Inc.

(21) Appl. No.: **29/535,210**

(57) **CLAIM**

The ornamental design for a screwdriver bit, as shown.

(22) Filed: **Aug. 4, 2015**

DESCRIPTION

(51) **LOC (10) Cl.** **08-04**

(52) **U.S. Cl.**
USPC **D8/86**

(58) **Field of Classification Search**
USPC ... D8/14, 21, 29, 85, 86, 70, 82, 83, 84, 87,
D8/387; D19/183, 180, 115, 176, 200
CPC B25B 23/021; B25B 23/0035; B25B
23/0007; B25B 23/0042; B25B 15/001
See application file for complete search history.

FIG. 1 is a perspective view of a screwdriver bit showing my new design;
FIG. 2 is a front view thereof;
FIG. 3 is a rear view thereof;
FIG. 4 is a left side view thereof;
FIG. 5 is a right side view thereof;
FIG. 6 is a top plan view thereof;
FIG. 7 is a bottom plan view thereof; and,
FIG. 8 is another perspective view thereof, wherein the broken line portions of the screwdriver bit differ from the bit depicted in FIGS. 1 through 7.

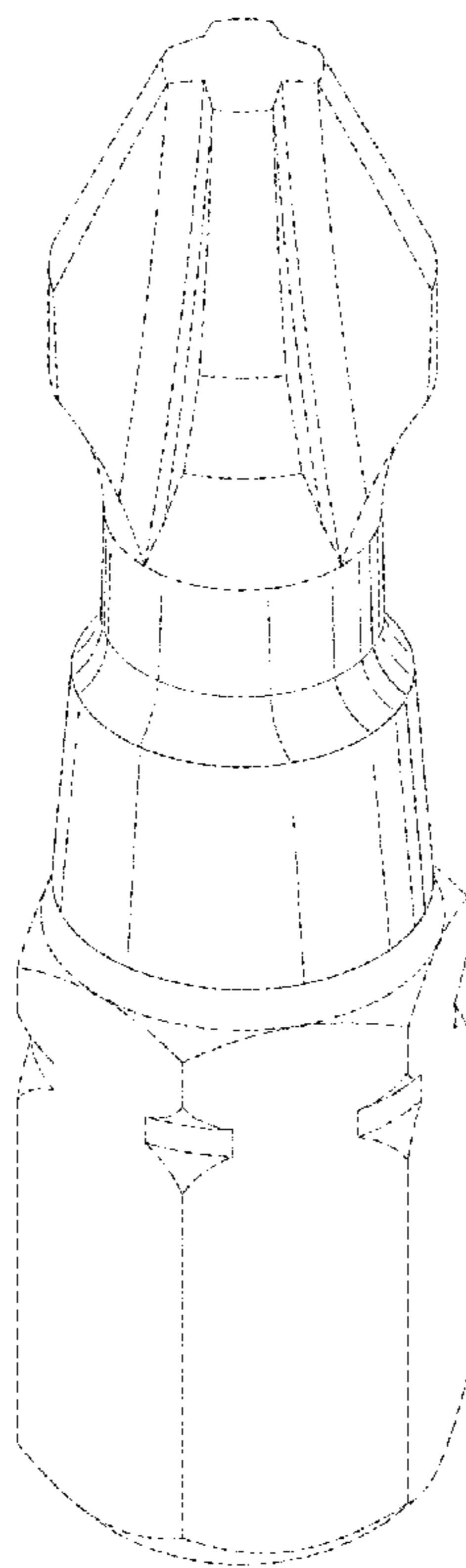
The broken lines depict portions of the screwdriver bit in which the design is embodied that are not considered part of the claimed design.

(56) **References Cited**

U.S. PATENT DOCUMENTS

D333,152 S *	2/1993	Anavil	D19/200
D624,383 S *	9/2010	Hsu	D8/86
D627,205 S *	11/2010	Hsu	D8/86
D646,138 S *	10/2011	Hsu	D8/86

1 Claim, 7 Drawing Sheets



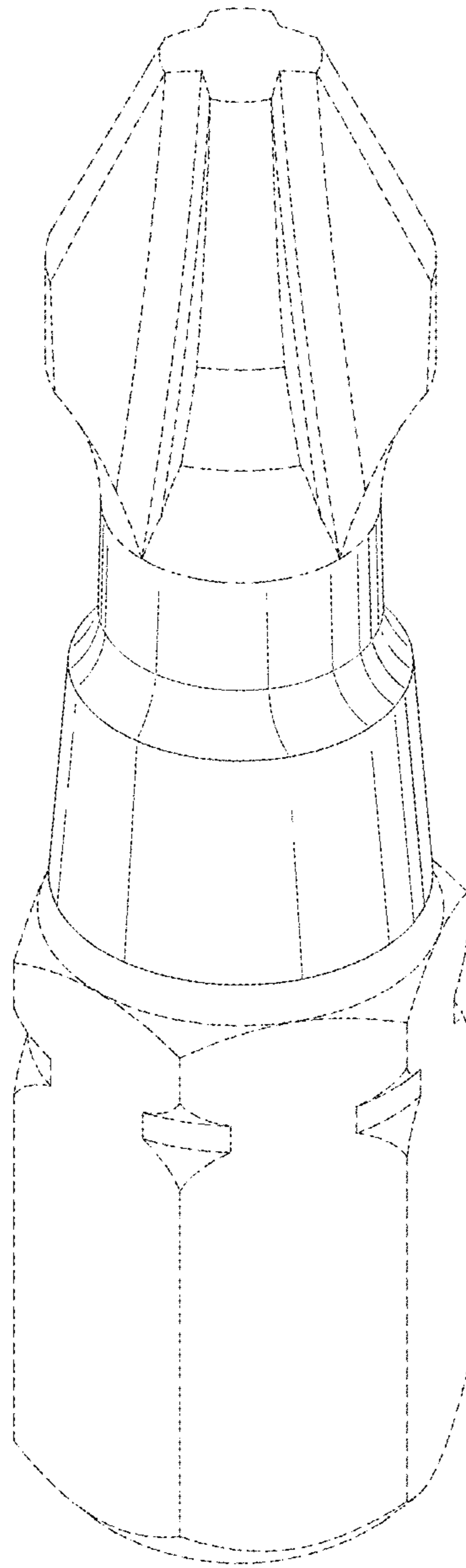


FIG.1

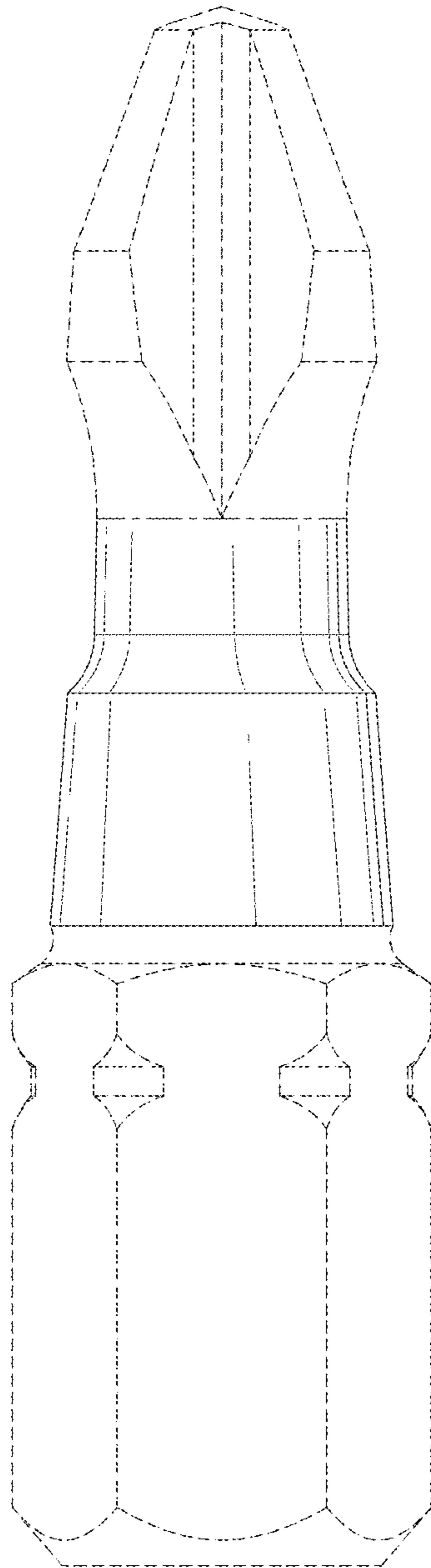


FIG.2

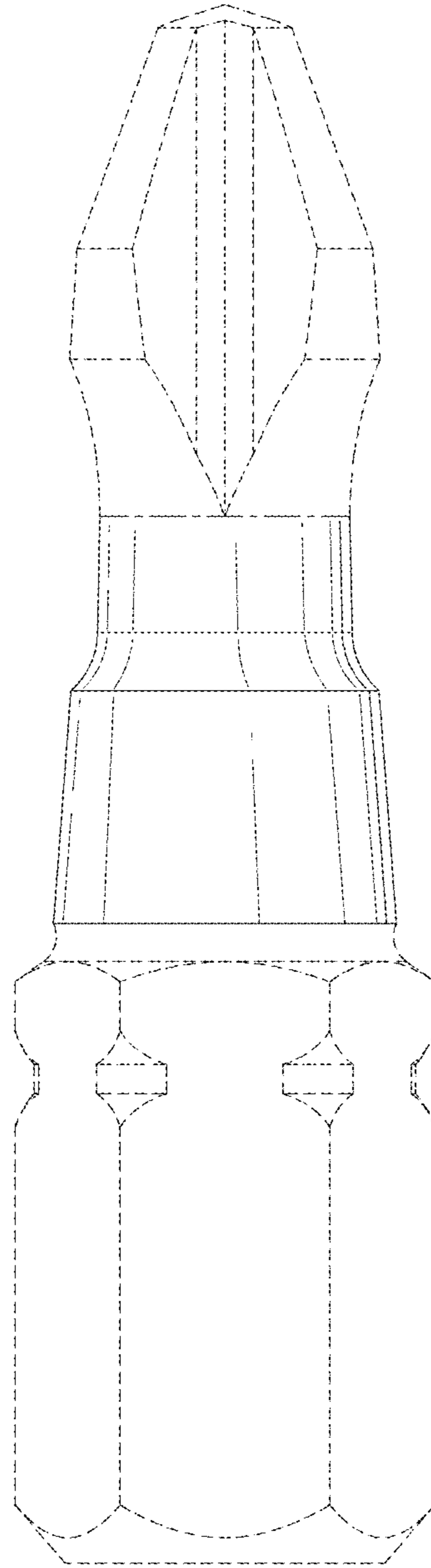


FIG.3

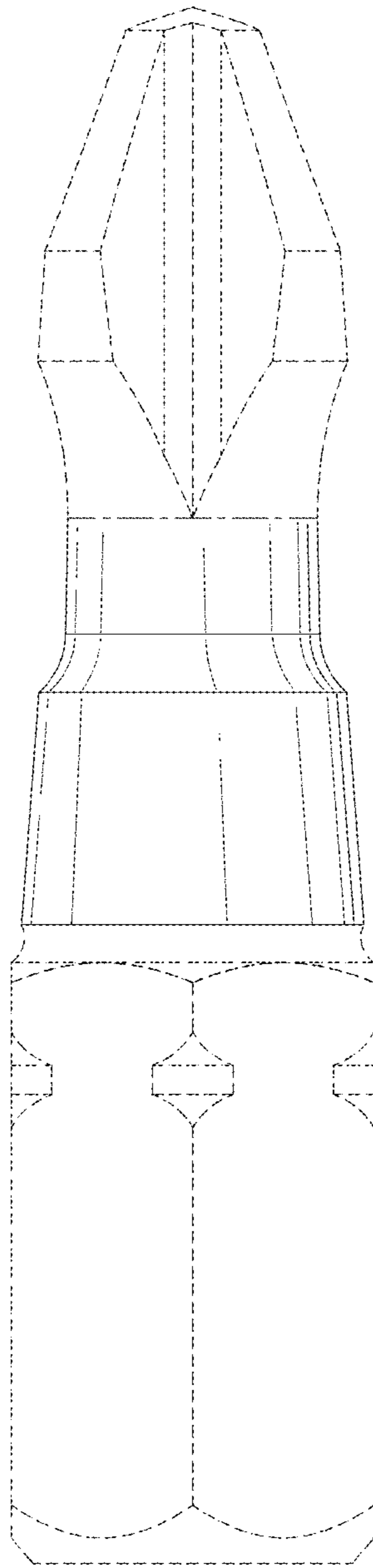


FIG.4

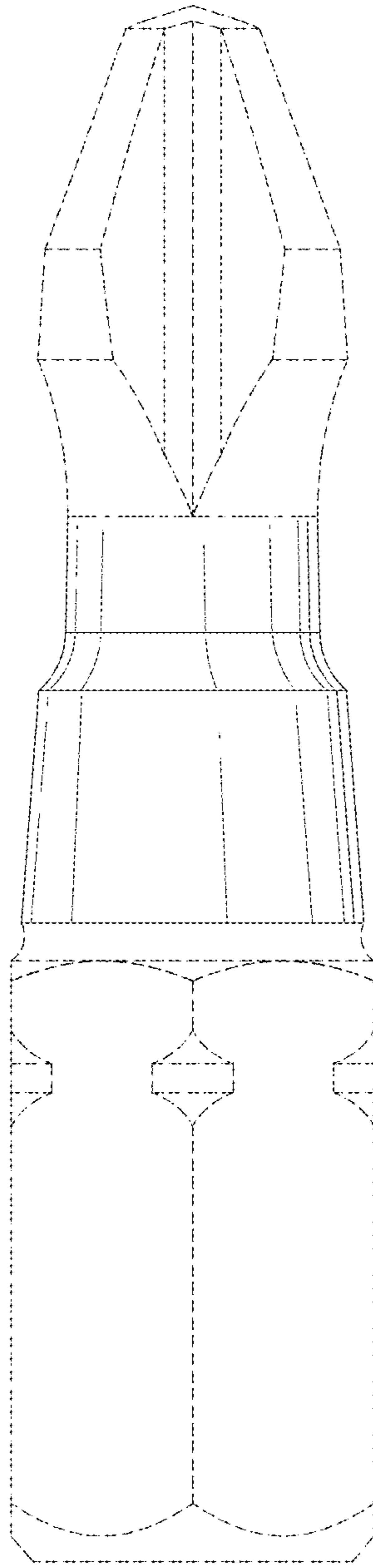


FIG.5

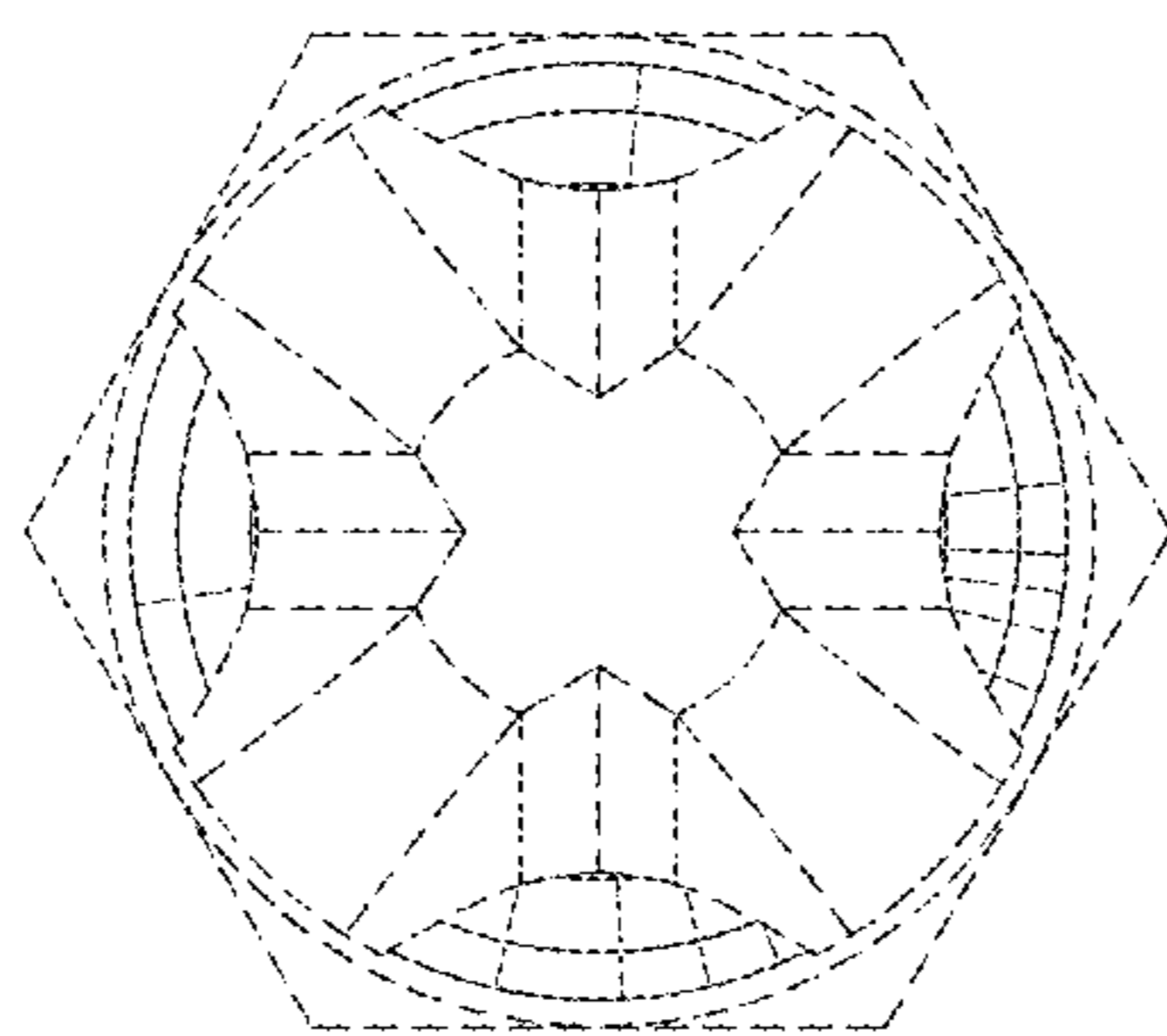


FIG. 6

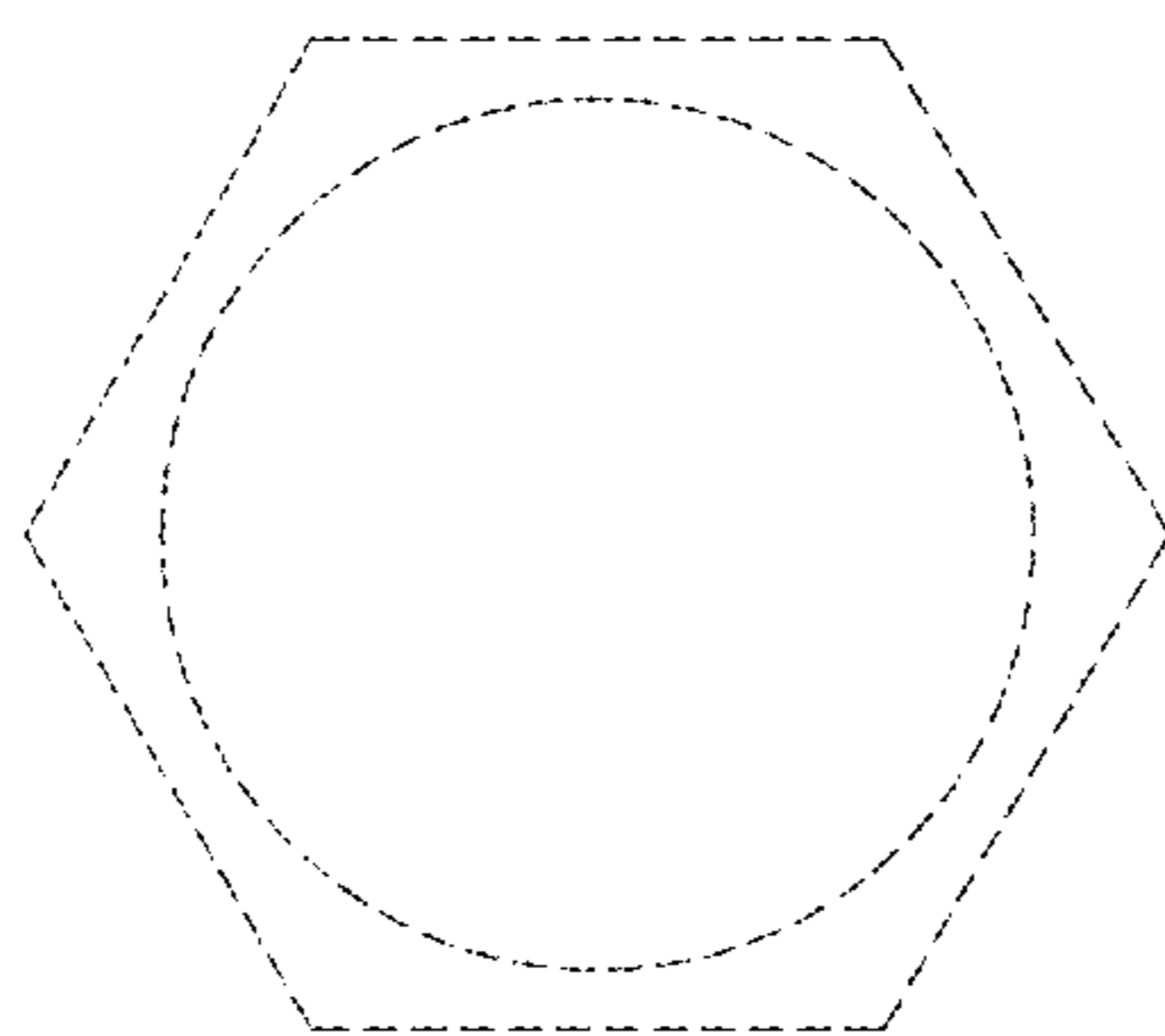


FIG. 7

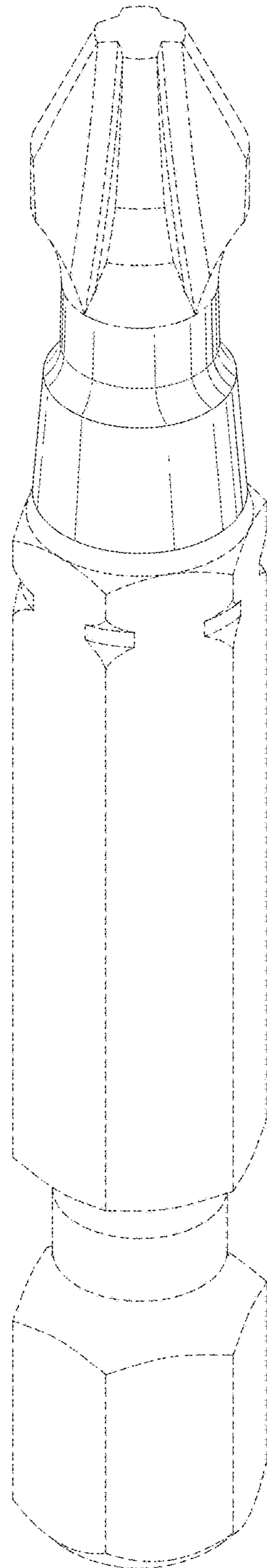


FIG.8