



US00D778703S

(12) **United States Design Patent** (10) **Patent No.:** **US D778,703 S**
Nelson (45) **Date of Patent:** **** Feb. 14, 2017**

(54) **TOOL HANDLE**
(71) Applicant: **Home Depot Product Authority, LLC**,
Atlanta, GA (US)
(72) Inventor: **Michael Nelson**, Peachtree City, GA
(US)
(73) Assignee: **Home Depot Product Authority, LLC**,
Atlanta

D610,433 S 2/2010 Garcia
D610,895 S 3/2010 Garcia
D614,930 S 5/2010 Garcia
D619,866 S 7/2010 Deguglimo
D621,237 S 8/2010 Papenfuss
D624,568 S * 9/2010 Papenfuss D15/78
D633,357 S 3/2011 Deguglimo
(Continued)

(**) Term: **15 Years**
(21) Appl. No.: **29/558,799**
(22) Filed: **Mar. 22, 2016**

Related U.S. Application Data

(62) Division of application No. 29/488,947, filed on Apr.
24, 2014, now Pat. No. Des. 753,977.
(51) **LOC (10) Cl.** **08-04**
(52) **U.S. Cl.**
USPC **D8/83**
(58) **Field of Classification Search**
USPC ... D8/21, 24-26, 29, 61, 82-87, 107; 81/52,
81/53.1, 58.3, 177.1-177.4, 177.7,
81/438-439, 467, 480, 489-491
CPC A47J 43/26; B25B 13/463; B25B 13/468;
B25B 15/04; B25G 1/005; B25G 1/085
See application file for complete search history.

(56) **References Cited**

U.S. PATENT DOCUMENTS

D440,140 S 4/2001 Shiao
D461,698 S 8/2002 Wolff
D481,612 S * 11/2003 Tsai D8/107
D532,277 S 11/2006 Shih
D532,278 S 11/2006 Shih
D558,009 S * 12/2007 Kinsky D8/25
D596,471 S * 7/2009 Huang D8/21
D607,708 S 1/2010 Himbert

OTHER PUBLICATIONS

<http://www.homedepot.com/p/HDX-Ratcheting-Screwdriver-Set-40-Piece-with-Case-97498/204683596>, retrieved May 11, 2016.
(Continued)

Primary Examiner — Philip S Hyder
Assistant Examiner — Roselynn Cody
(74) *Attorney, Agent, or Firm* — Greenberg Traurig, LLP

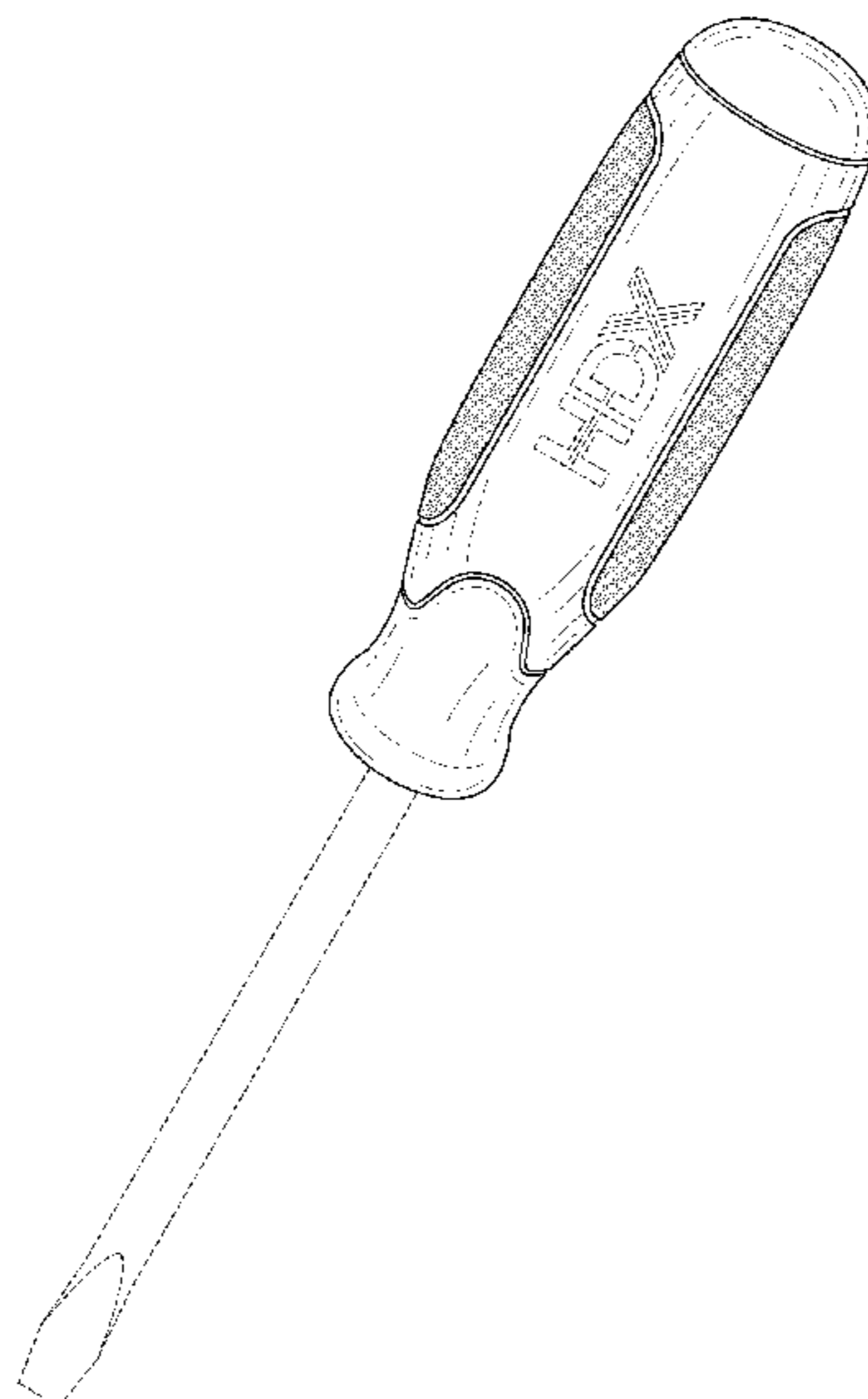
(57) **CLAIM**

The ornamental design for a tool handle, as shown and described.

DESCRIPTION

FIG. 1 is a perspective view of my tool handle;
FIG. 2 is a side view thereof;
FIG. 3 is another side view thereof, opposite the side view shown in FIG. 9;
FIG. 4 is a front view thereof;
FIG. 5 is a back view thereof;
FIG. 6 is a bottom view thereof; and,
FIG. 7 is a top view thereof.
The dashed lines outside of the claimed tool handle represent environmental structure that forms no part of the claimed design; specifically, some such dashed lines show aspects of an example tool (a screwdriver) with which the claimed tool handle may be used. Other dashed lines show that while a logo may (but need not) be used with the claimed design, no particular logo is claimed.

1 Claim, 4 Drawing Sheets



(56)

References Cited

U.S. PATENT DOCUMENTS

D633,358 S * 3/2011 Deguglimo D8/83
D686,899 S 7/2013 Lin
D754,511 S * 4/2016 Nelson D8/80

OTHER PUBLICATIONS

<http://toolguyd.com/channellock-ratcheting-screwdriver-review/>,
retrieved May 11, 2016.

* cited by examiner

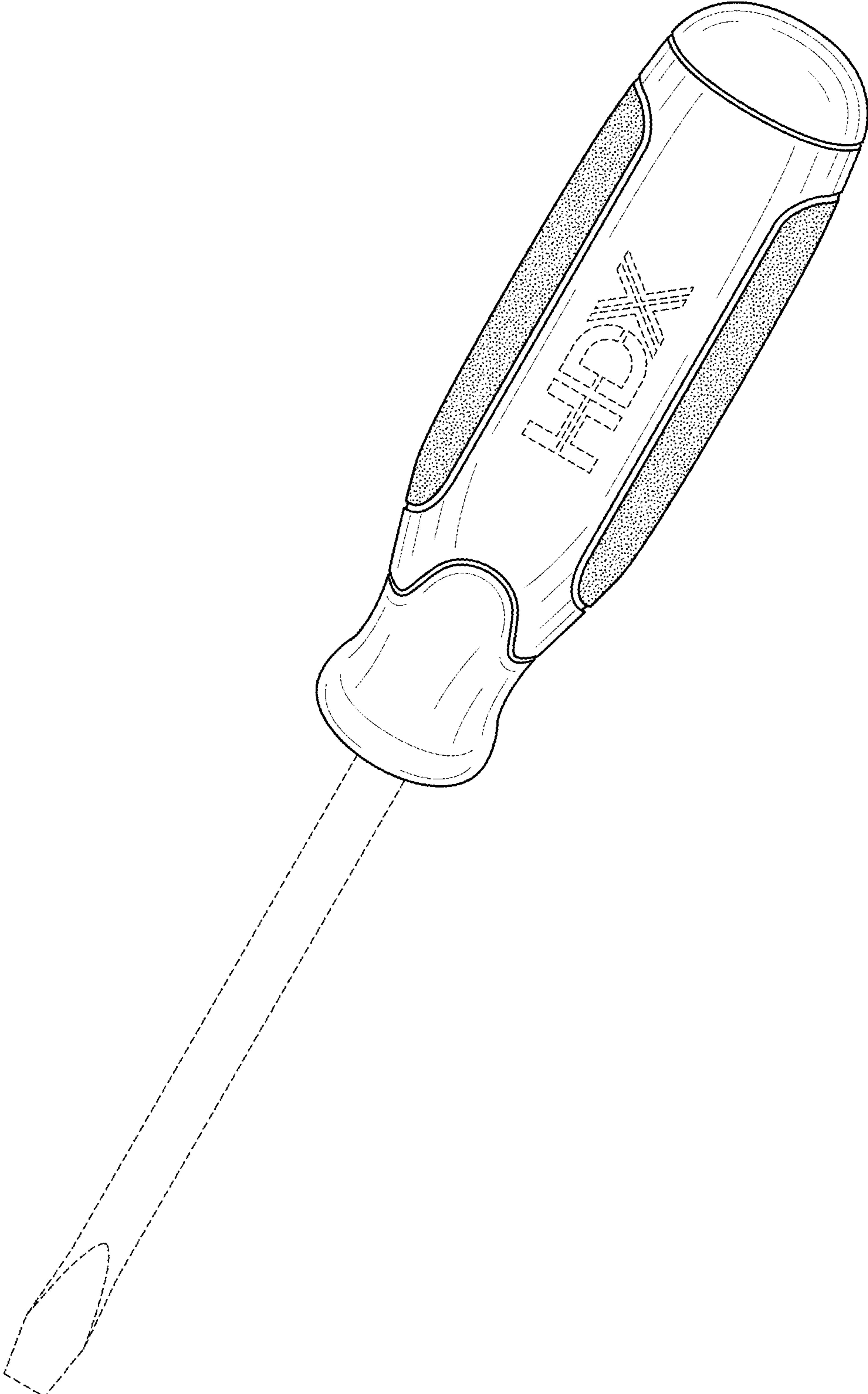


FIG. 1

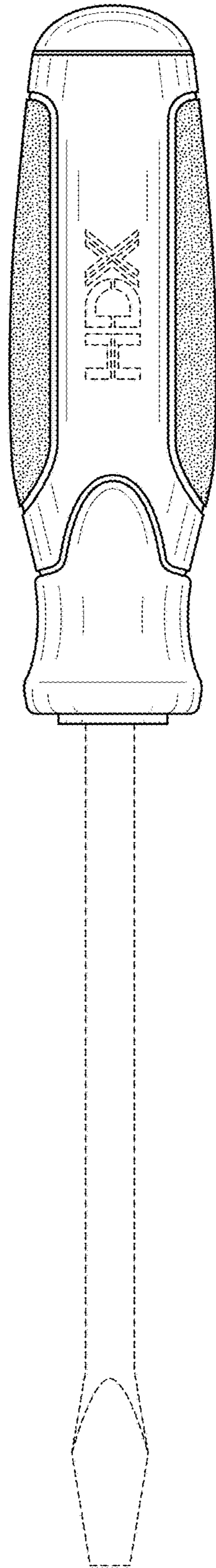


FIG. 2

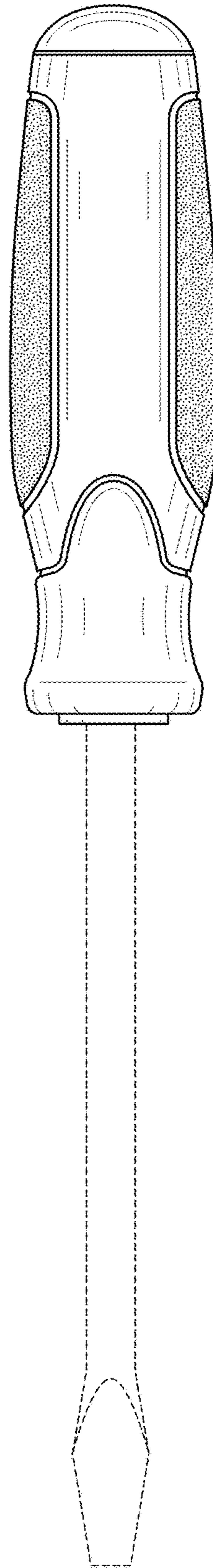


FIG. 3

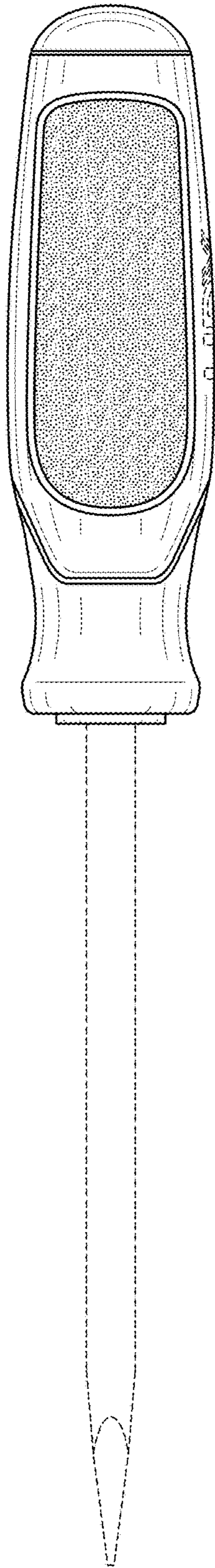


FIG. 4

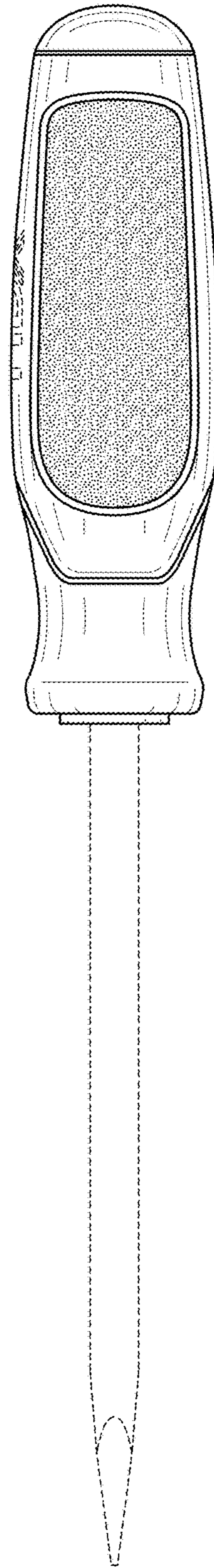


FIG. 5

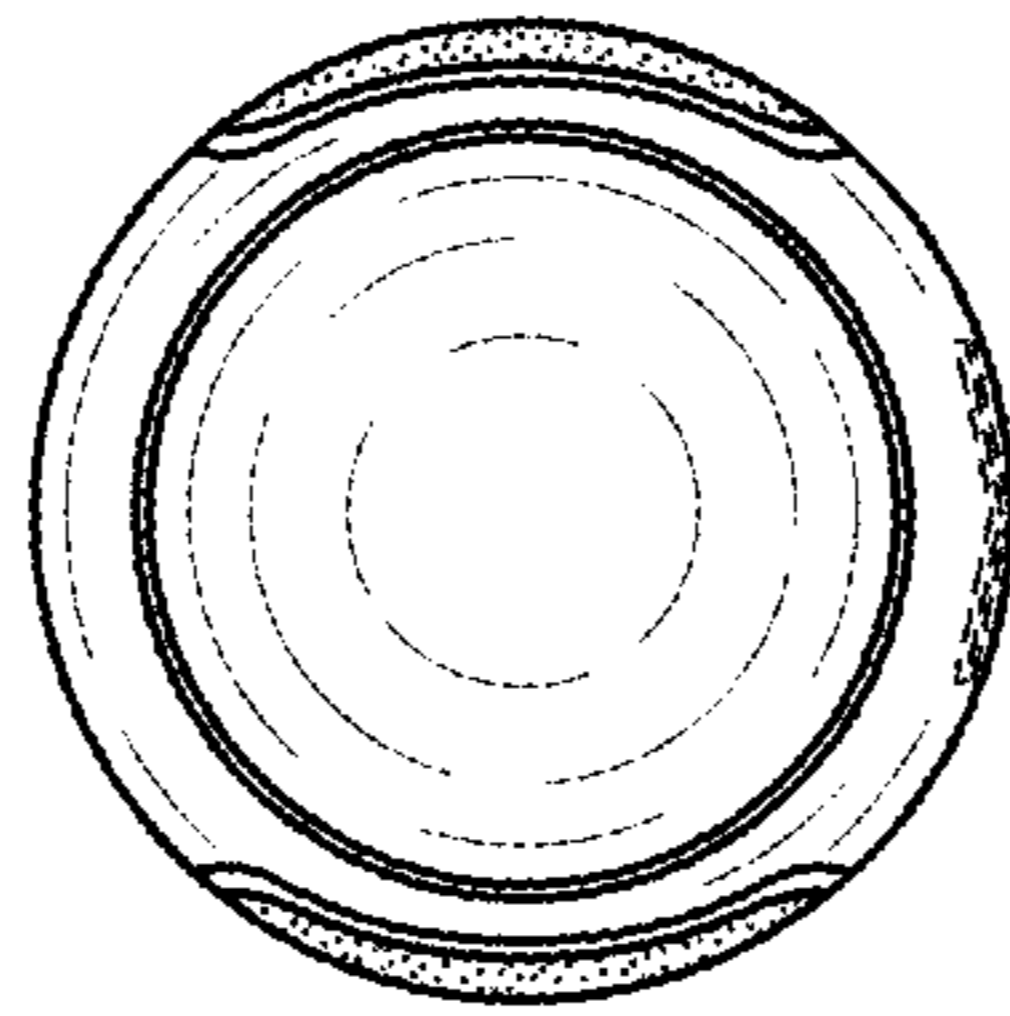


FIG. 6

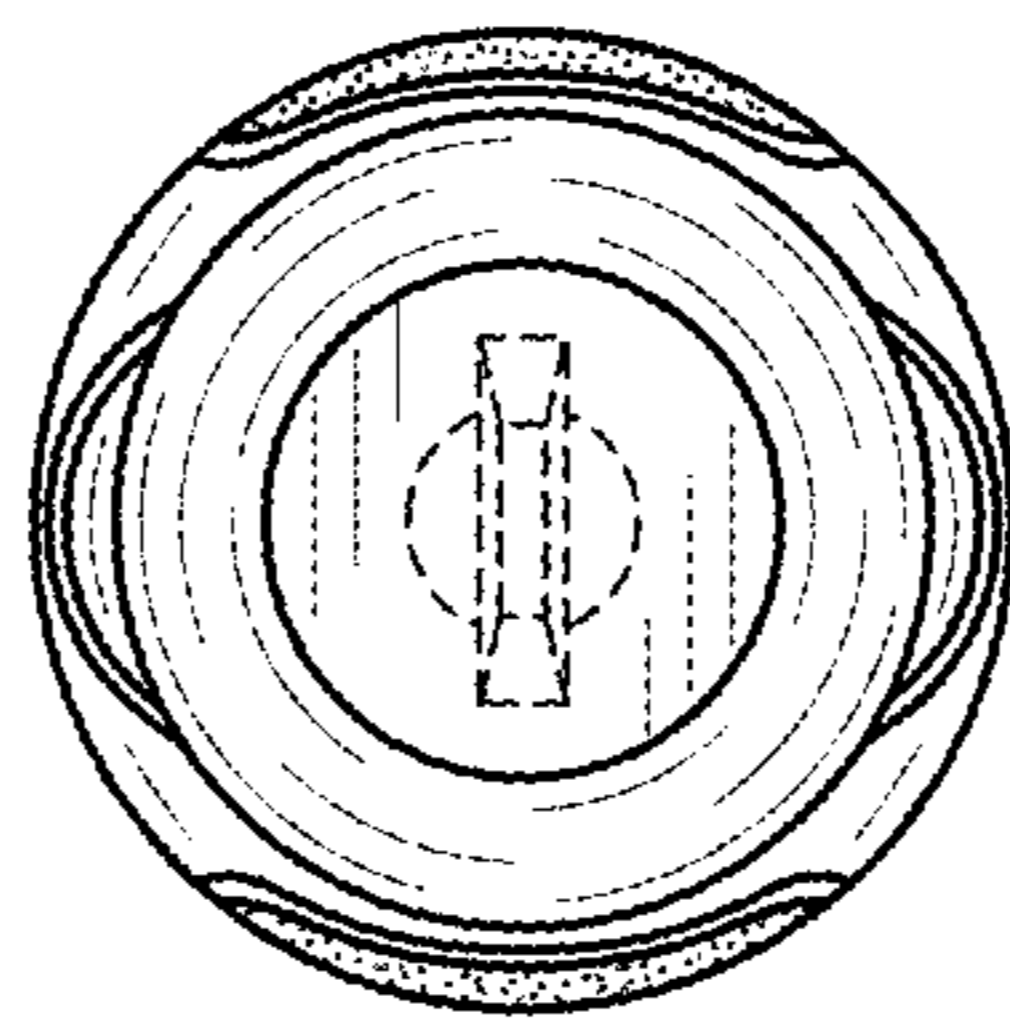


FIG. 7