



US00D778702S

(12) **United States Design Patent**
Mouthaan

(10) **Patent No.:** **US D778,702 S**

(45) **Date of Patent:** **** Feb. 14, 2017**

(54) **TOOL SUPPORT ADAPTER BLOCK**

(71) Applicant: **Supplier of Solutions, LLC**, Park City, UT (US)

(72) Inventor: **Daniel J. Mouthaan**, Park City, UT (US)

(73) Assignee: **SUPPLIER OF SOLUTIONS, LLC**, Park City, UT (US)

(**) Term: **15 Years**

(21) Appl. No.: **29/551,147**

(22) Filed: **Jan. 11, 2016**

(51) **LOC (10) Cl.** **08-05**

(52) **U.S. Cl.**
USPC **D8/71**

(58) **Field of Classification Search**
USPC D8/16, 19, 350, 353, 354, 364, 366, 499, D8/380, 381, 71
CPC E21C 35/18; E21C 35/19; E21C 35/183
See application file for complete search history.

(56) **References Cited**

U.S. PATENT DOCUMENTS

4,091,692	A *	5/1978	Wrulich	E21C 35/18 299/105
4,932,723	A *	6/1990	Mills	E21C 35/183 299/104
5,251,964	A *	10/1993	Ojanen	B23K 1/001 175/435
6,244,665	B1 *	6/2001	Bise	E21C 35/18 299/106
D585,259	S *	1/2009	Holl	D8/71
8,783,785	B2 *	7/2014	Lehnert	E21C 35/183 299/104
9,399,914	B2 *	7/2016	Roth	E21C 35/197

2005/0173966	A1 *	8/2005	Mouthaan	E21C 35/197 299/104
2008/0053711	A1 *	3/2008	O'Neill	E21C 35/183 175/432
2011/0204702	A1 *	8/2011	Lehnert	E21C 35/183 299/105
2011/0241407	A1 *	10/2011	Fader	E21C 35/183 299/29
2013/0026810	A1 *	1/2013	Ojanen	B28D 1/188 299/104
2013/0207444	A1 *	8/2013	Chiang	E21C 35/183 299/104
2013/0241265	A1 *	9/2013	Lehnert	E21C 35/18 299/79.1
2014/0117741	A1 *	5/2014	Lehnert	E21C 35/193 299/81.1
2016/0102550	A1 *	4/2016	Paros	E21C 35/197 299/113
2016/0230551	A1 *	8/2016	Lehnert	E21C 35/18

* cited by examiner

Primary Examiner — Caron D Veynar

Assistant Examiner — Alison Ofstun

(74) *Attorney, Agent, or Firm* — Warner Norcross and Judd LLP

(57) **CLAIM**

The ornamental designs for a tool support adapter block, as shown and described.

DESCRIPTION

FIG. 1 is a perspective view of the tool support adapter block embodying the new design.

FIG. 2 is a right side view thereof, the left side view being a mirror image.

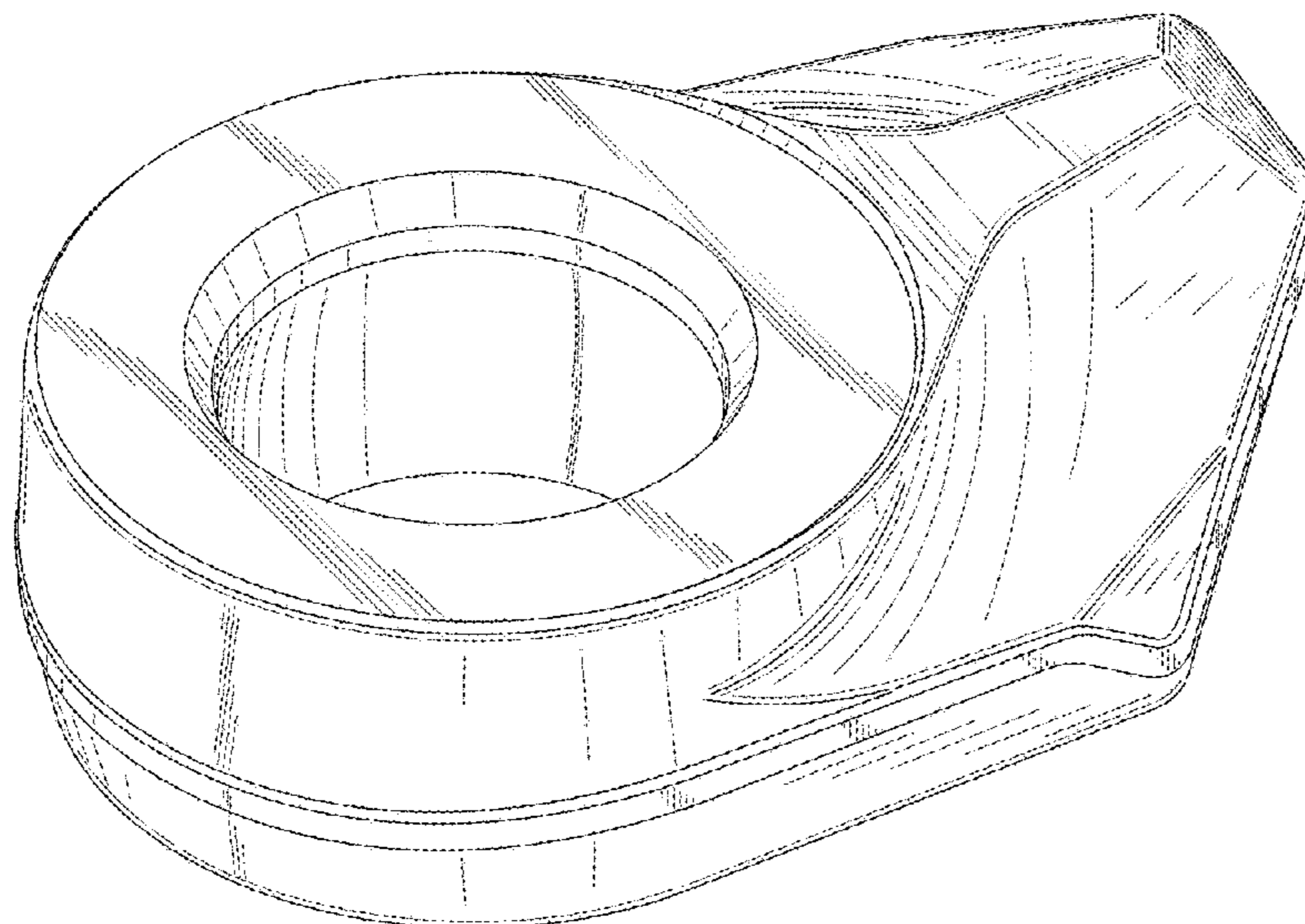
FIG. 3 is a front view thereof.

FIG. 4 is a rear view thereof.

FIG. 5 is a top view thereof; and,

FIG. 6 is a bottom view thereof.

1 Claim, 4 Drawing Sheets



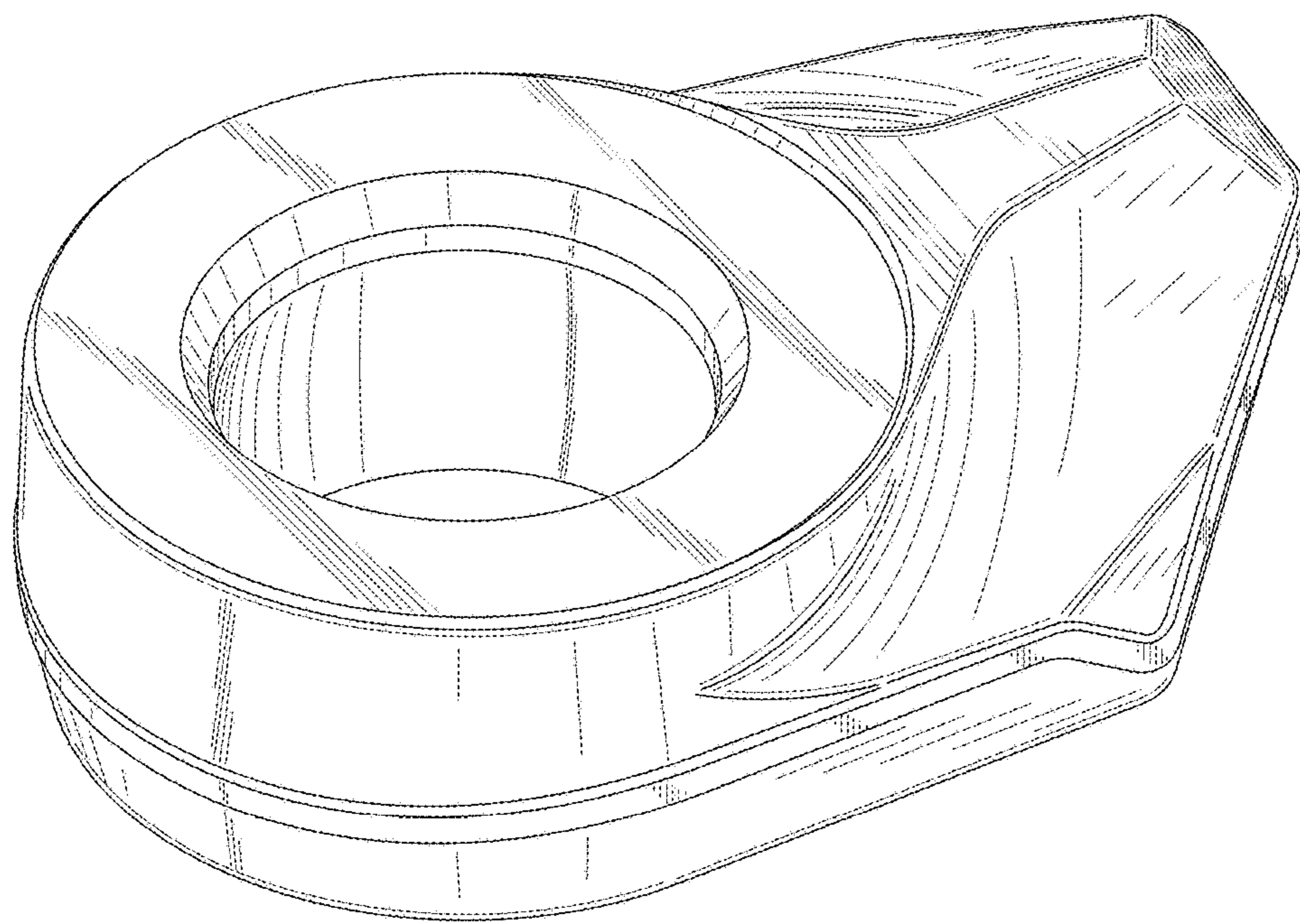


Fig. 1

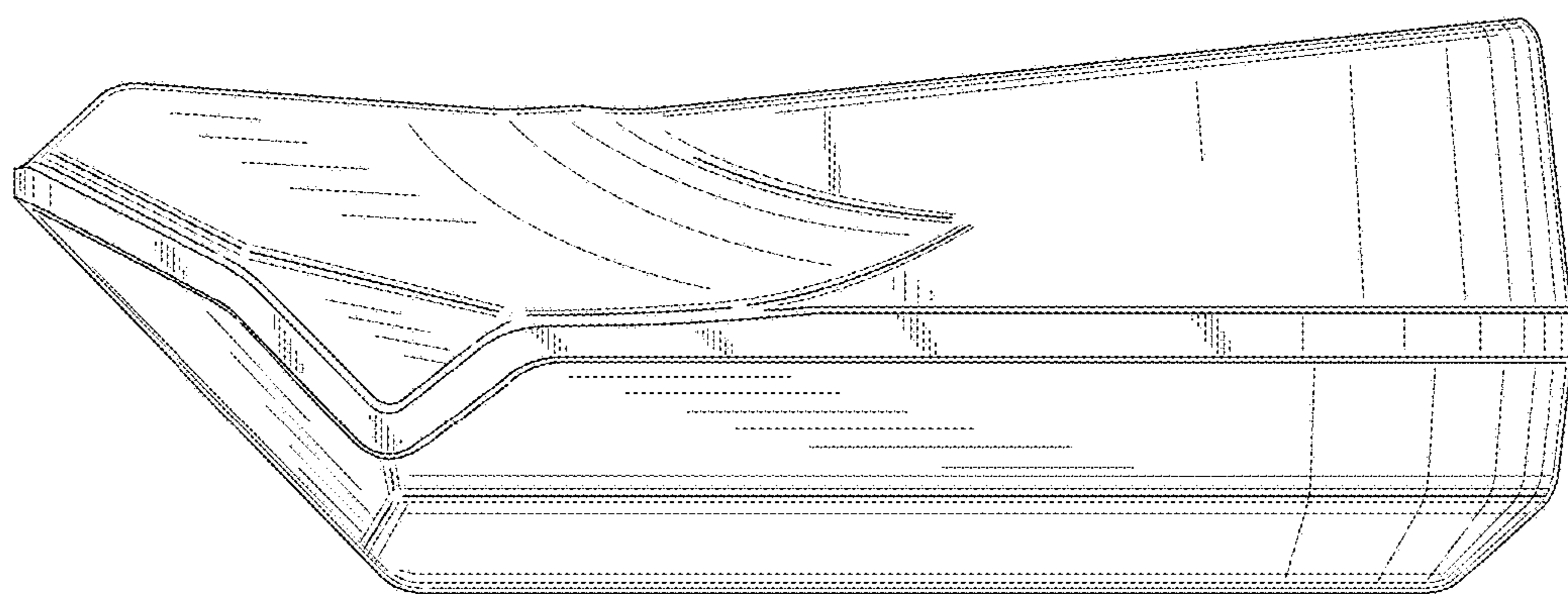


Fig. 2

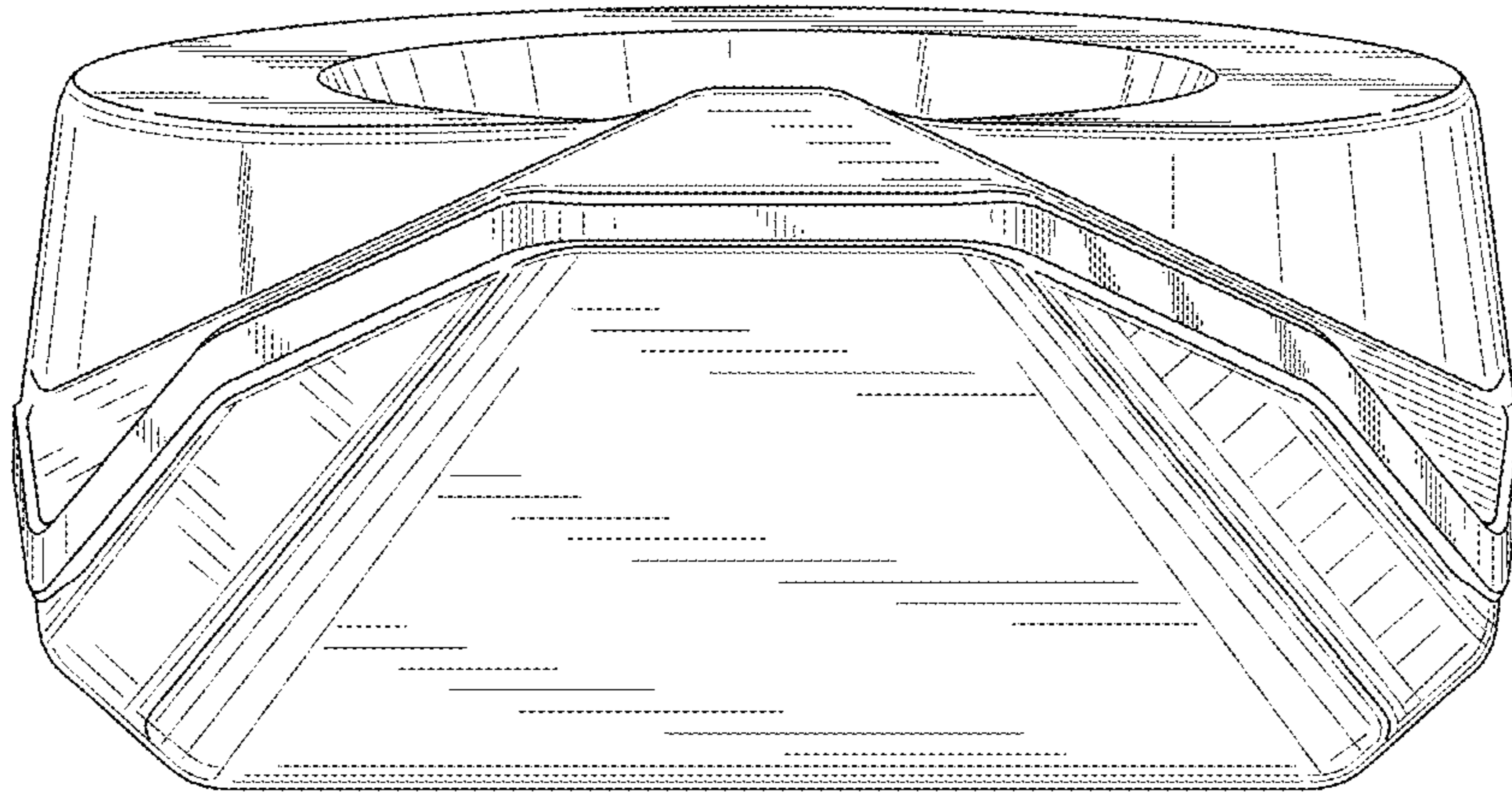


Fig. 3

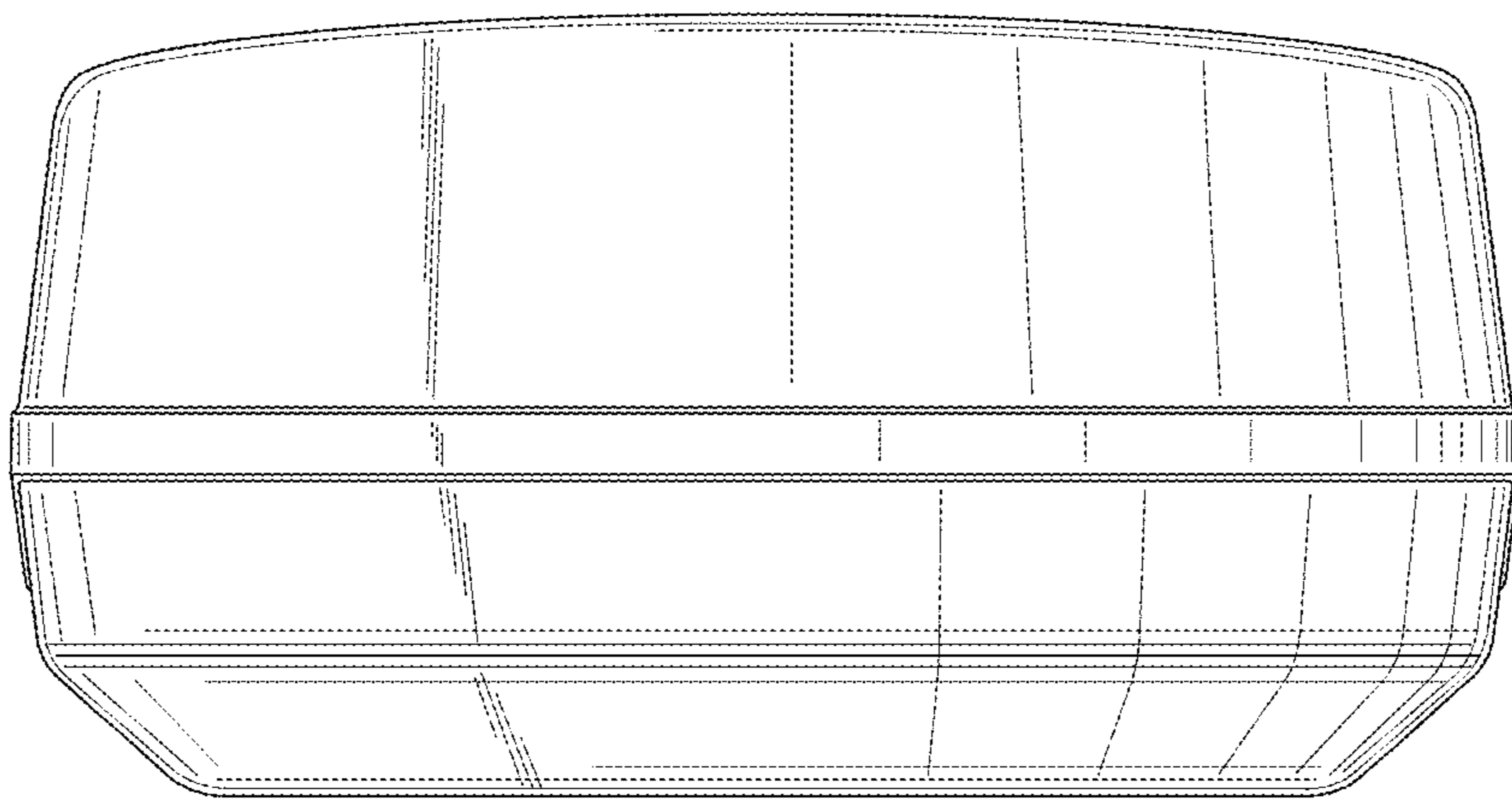


Fig. 4

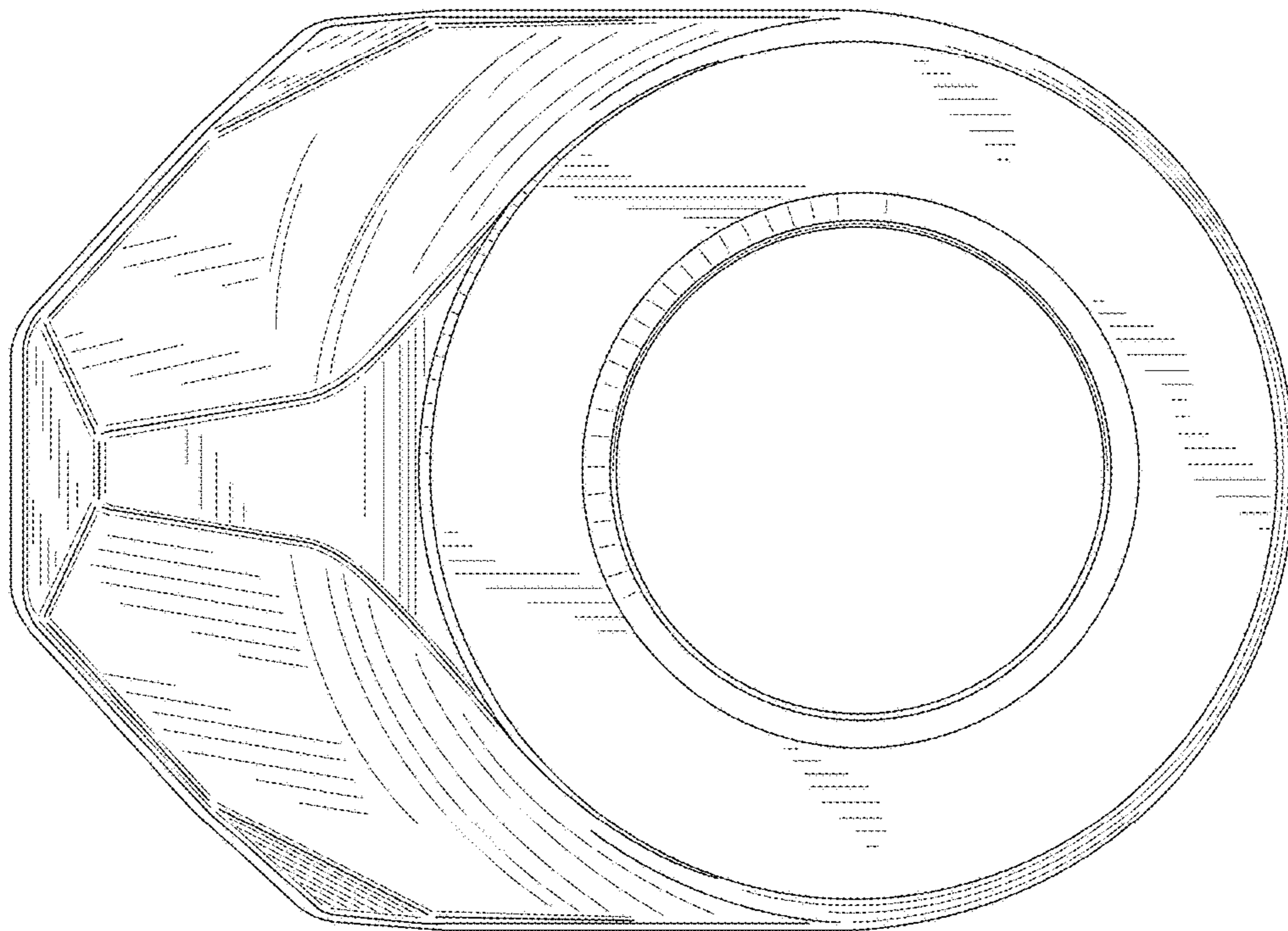


Fig. 5

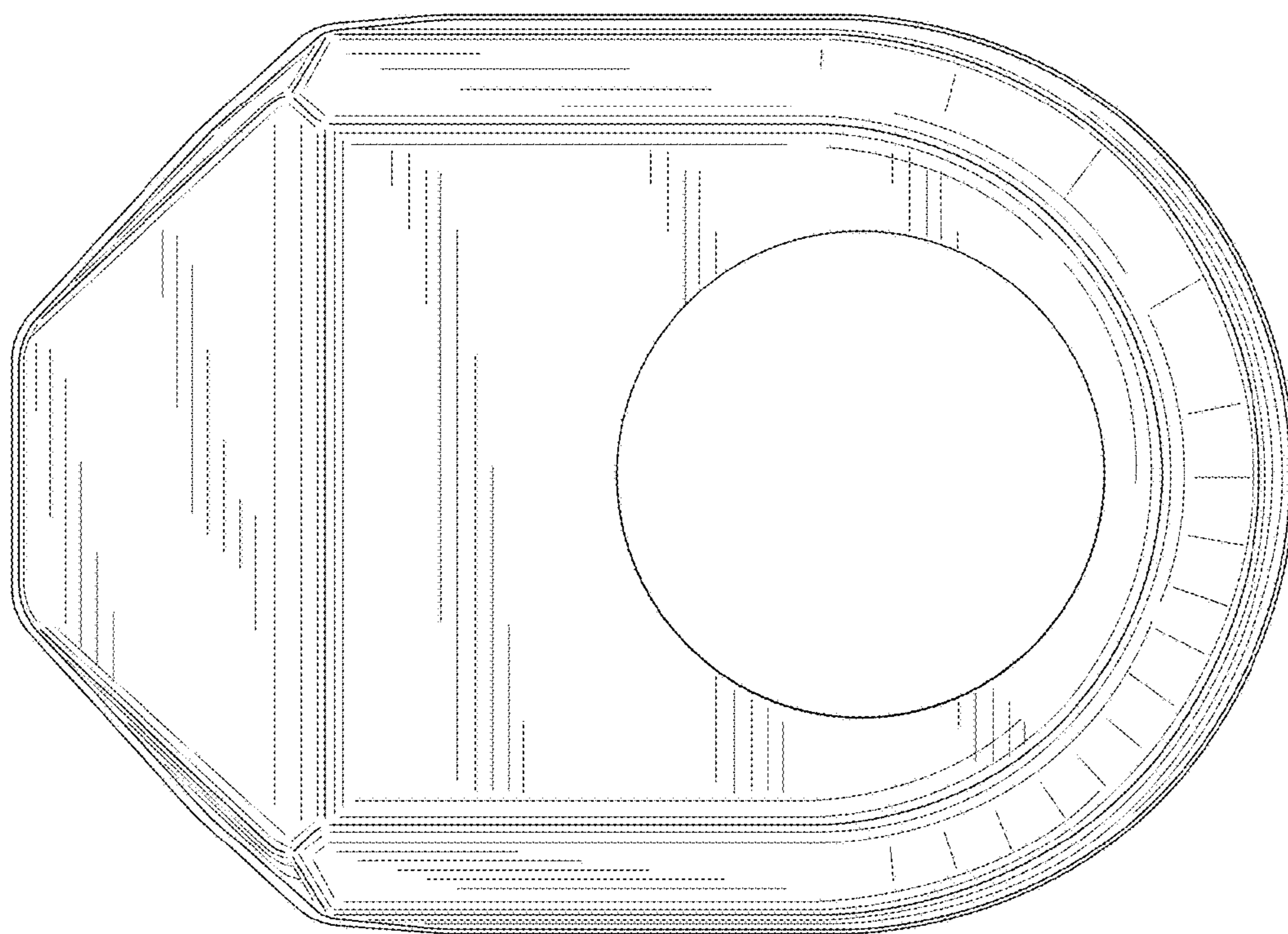


Fig. 6