



US00D778700S

(12) **United States Design Patent**  
**Kawai et al.**

(10) **Patent No.:** **US D778,700 S**

(45) **Date of Patent:** **\*\* Feb. 14, 2017**

(54) **PLIER**

(71) Applicant: **ENGINEER INC.**, Osaka-shi, Osaka (JP)

(72) Inventors: **Shinnosuke Kawai**, Osaka (JP);  
**Masanori Ando**, Osaka (JP); **Mitsuhiro Takasaki**, Osaka (JP)

(73) Assignee: **ENGINEER INC.**, Osaka-shi, Osaka (JP)

(\*\*) Term: **14 Years**

(21) Appl. No.: **29/493,924**

(22) Filed: **Jun. 16, 2014**

(30) **Foreign Application Priority Data**

Mar. 17, 2014 (JP) ..... 2014-005541

(51) **LOC (10) Cl.** ..... **08-05**

(52) **U.S. Cl.**  
USPC ..... **D8/52**

(58) **Field of Classification Search**  
USPC ..... D8/4, 5, 14, 51-57, 105, 107  
CPC ..... B25B 7/02; B25B 7/22; B25B 27/18  
See application file for complete search history.

(56) **References Cited**

**U.S. PATENT DOCUMENTS**

- 2,668,538 A 2/1954 Baker
- D358,313 S \* 5/1995 Czarniecki ..... D8/52
- D383,654 S \* 9/1997 Brantley ..... D8/52
- 6,923,097 B2 \* 8/2005 Takasaki ..... B25B 7/02  
81/418
- 7,021,177 B2 \* 4/2006 Lovemark ..... B25B 7/18  
81/417
- D525,497 S \* 7/2006 Hermann ..... D8/52

- D604,580 S \* 11/2009 Robinson ..... D8/52
  - D650,648 S \* 12/2011 Groten ..... D8/52
  - 8,656,812 B2 \* 2/2014 Kawai ..... B25B 27/18  
81/418
  - D732,915 S \* 6/2015 Mandic ..... D8/52
- (Continued)

**FOREIGN PATENT DOCUMENTS**

- JP S30-7692 B 10/1955
- JP 2012-148383 A 8/2012

*Primary Examiner* — Deanna L Pratt

(74) *Attorney, Agent, or Firm* — Muncy, Geissler, Olds & Lowe, P.C.

(57) **CLAIM**

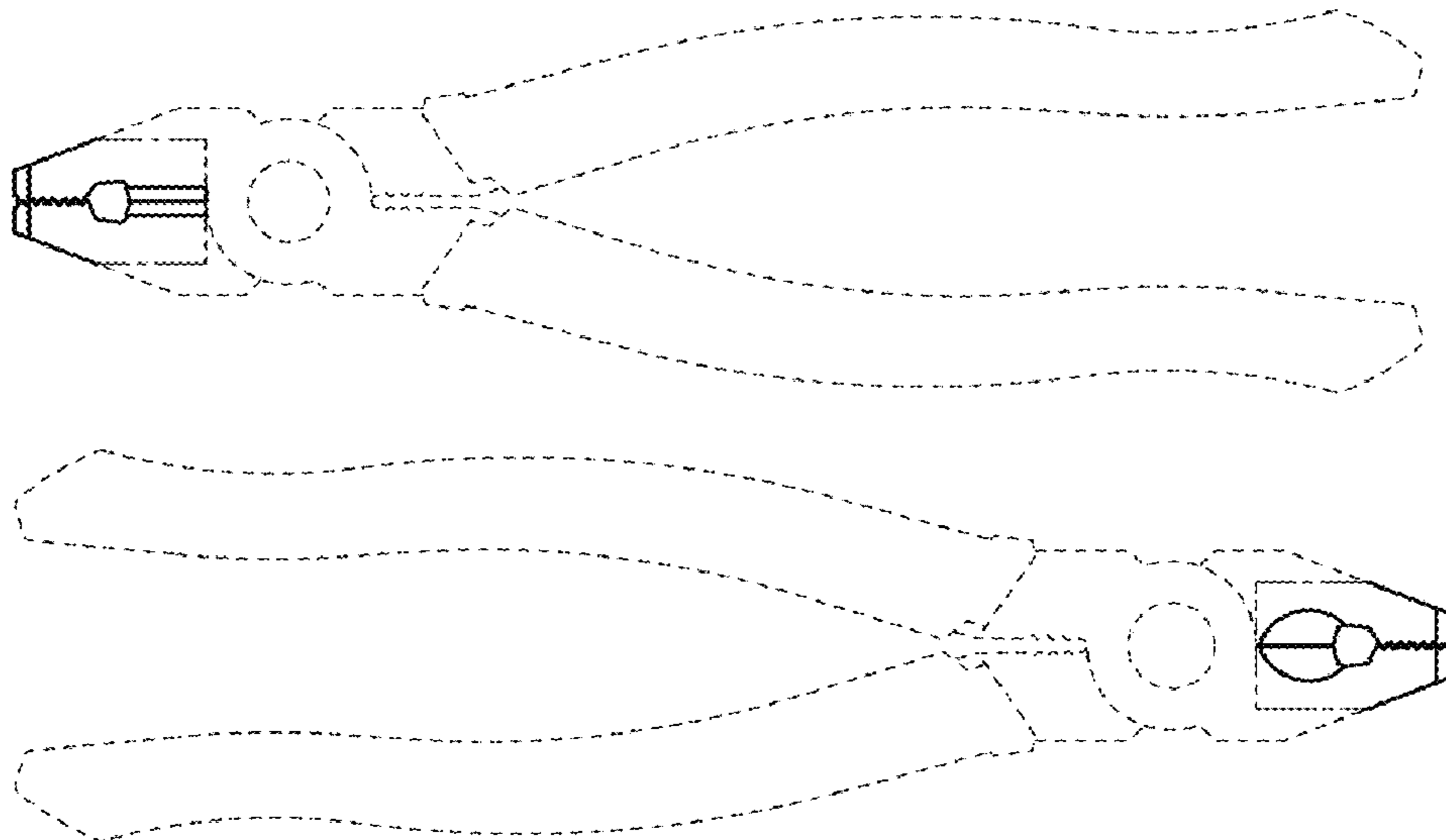
The ornamental design for a plier, as shown and described.

**DESCRIPTION**

FIG. 1 is a front view of the plier showing our new design; FIG. 2 is a rear view thereof; FIG. 3 is a top plan view thereof; FIG. 4 is a bottom plan view thereof; FIG. 5 is a left side elevational view thereof; FIG. 6 is a right side elevational view thereof; FIG. 7 is an enlarged view of FIG. 1; FIG. 8 is a cross sectional view taken along line 8-8 in FIG. 5; FIG. 9 is a cross sectional view taken along line 9-9 in FIG. 7; FIG. 10 is a sectional view taken along line 10-10 in FIG. 7; and, FIG. 11 is perspective view with the jaws in an open position.

The evenly-spaced broken lines in the drawings illustrate portions of the plier that form no part of the claimed design. The unevenly-spaced broken lines in the drawings illustrate the bounds of the claimed design and form no part thereof.

**1 Claim, 6 Drawing Sheets**



(56)

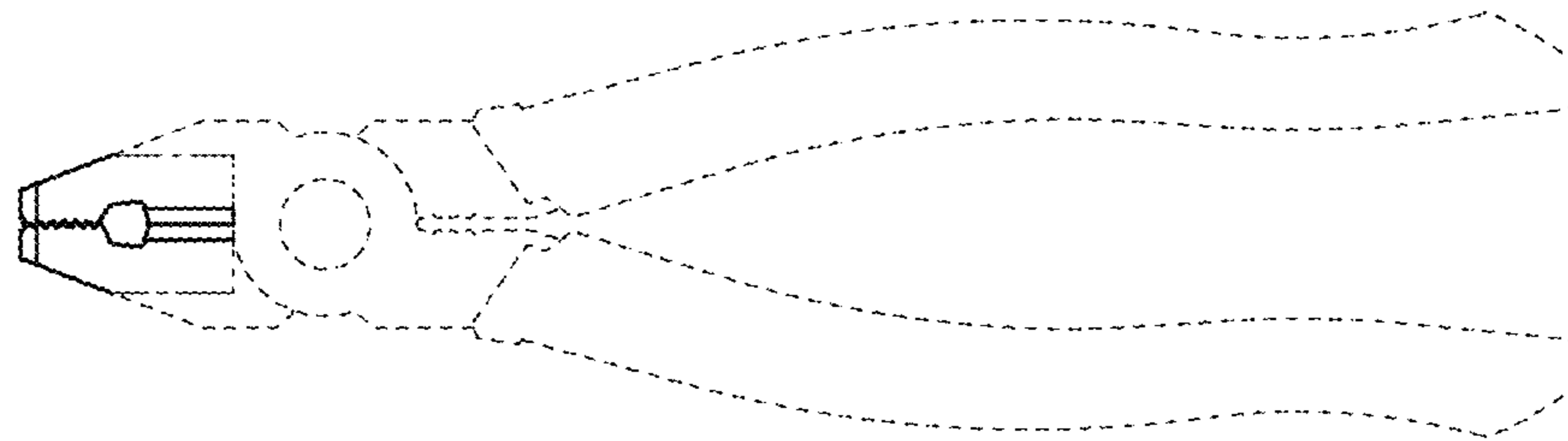
**References Cited**

U.S. PATENT DOCUMENTS

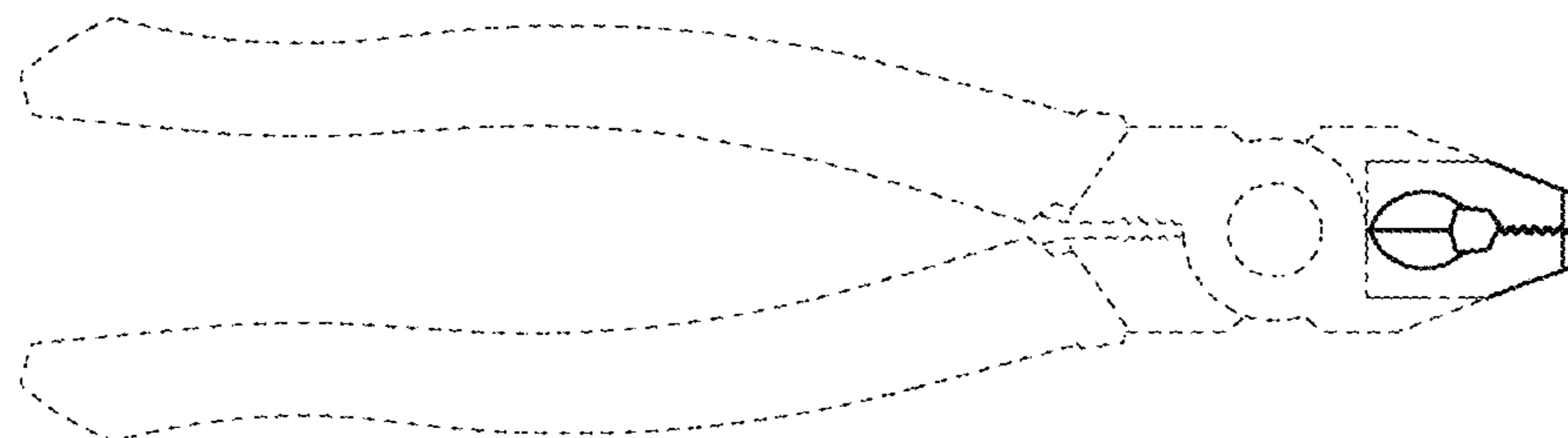
2007/0169594 A1\* 7/2007 Reckhart ..... B25B 7/02  
81/418  
2012/0000019 A1\* 1/2012 Steele ..... B25B 7/08  
7/107  
2013/0160615 A1\* 6/2013 Kawai ..... B25B 27/18  
81/424.5  
2016/0184980 A1\* 6/2016 Takasaki ..... B25B 7/02  
7/133

\* cited by examiner

**Fig. 1**



**Fig. 2**



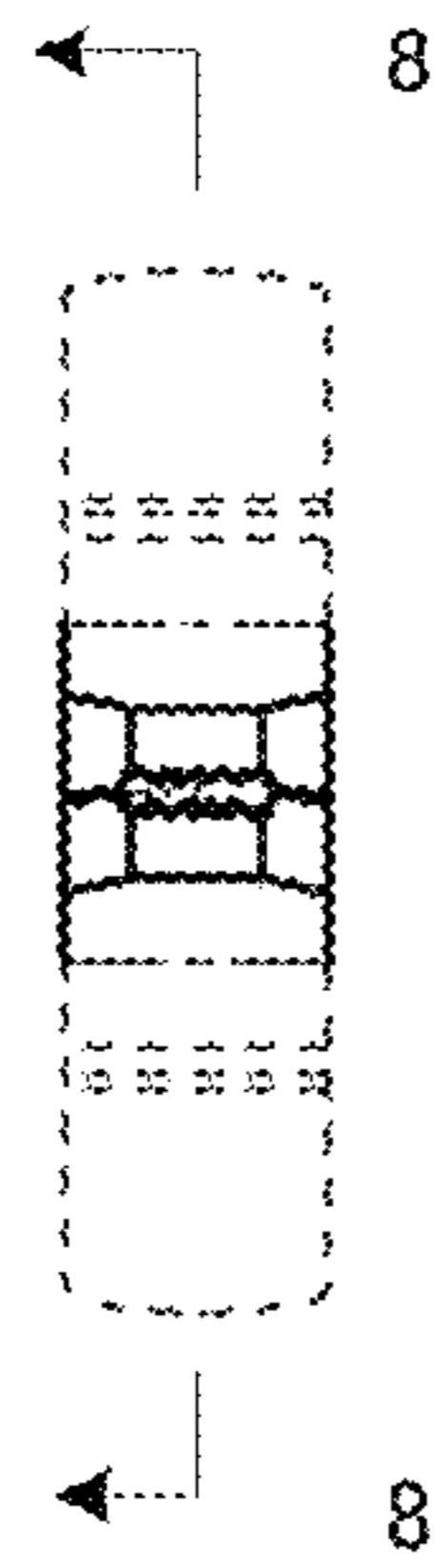
**Fig. 3**



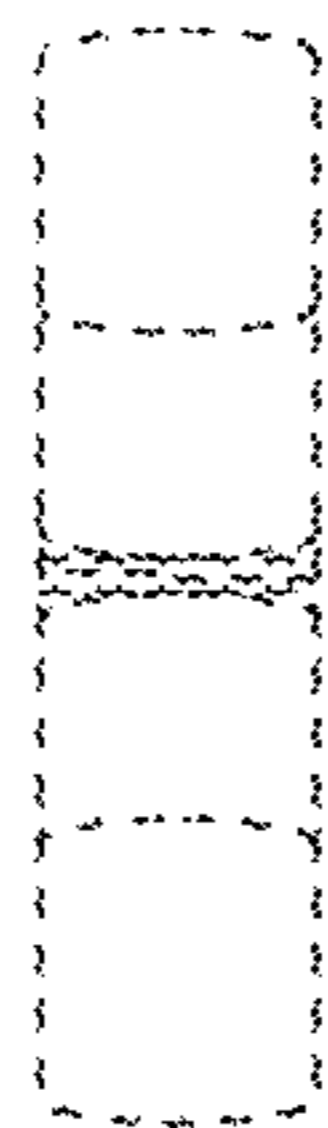
**Fig. 4**



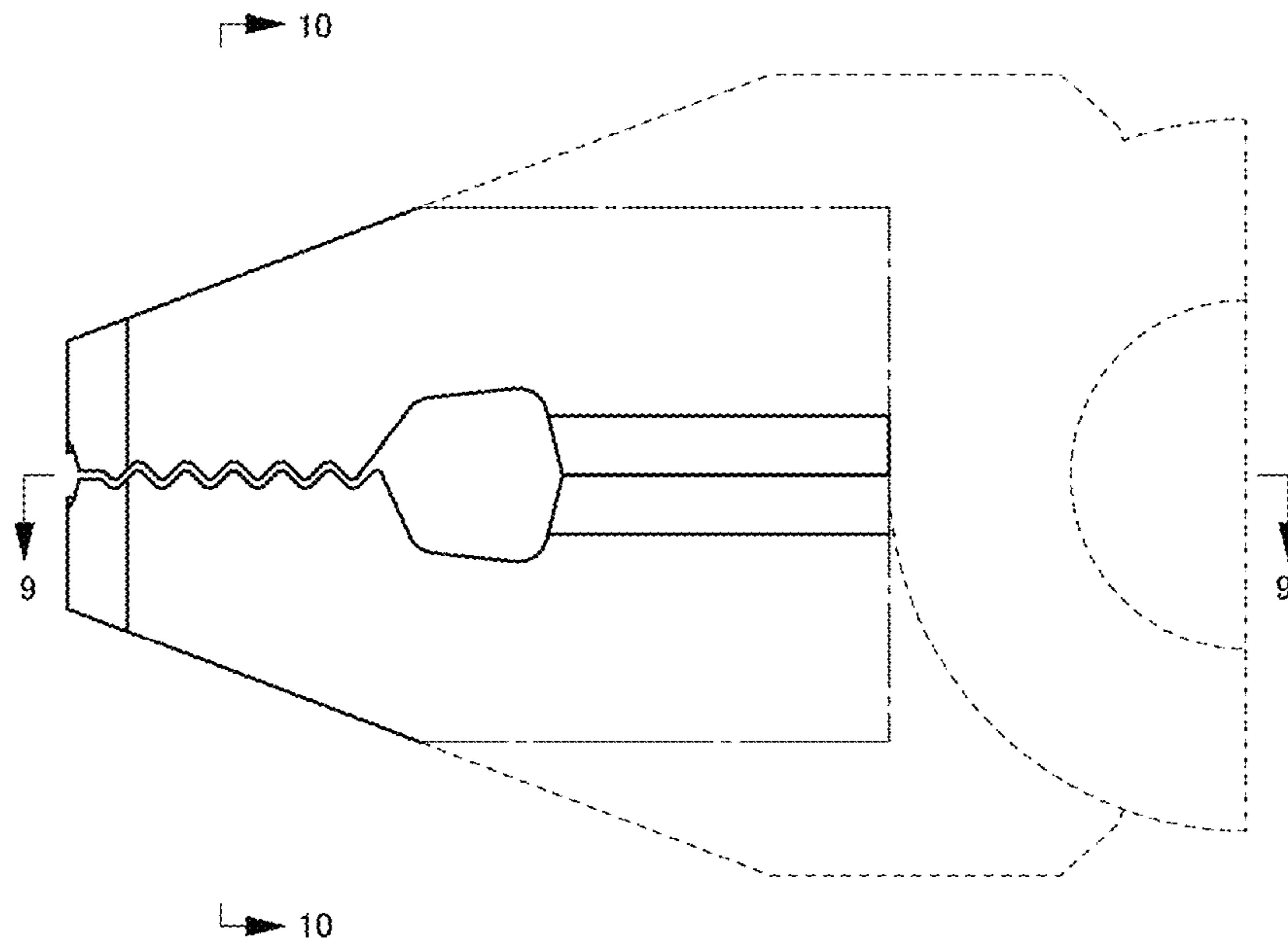
**Fig. 5**



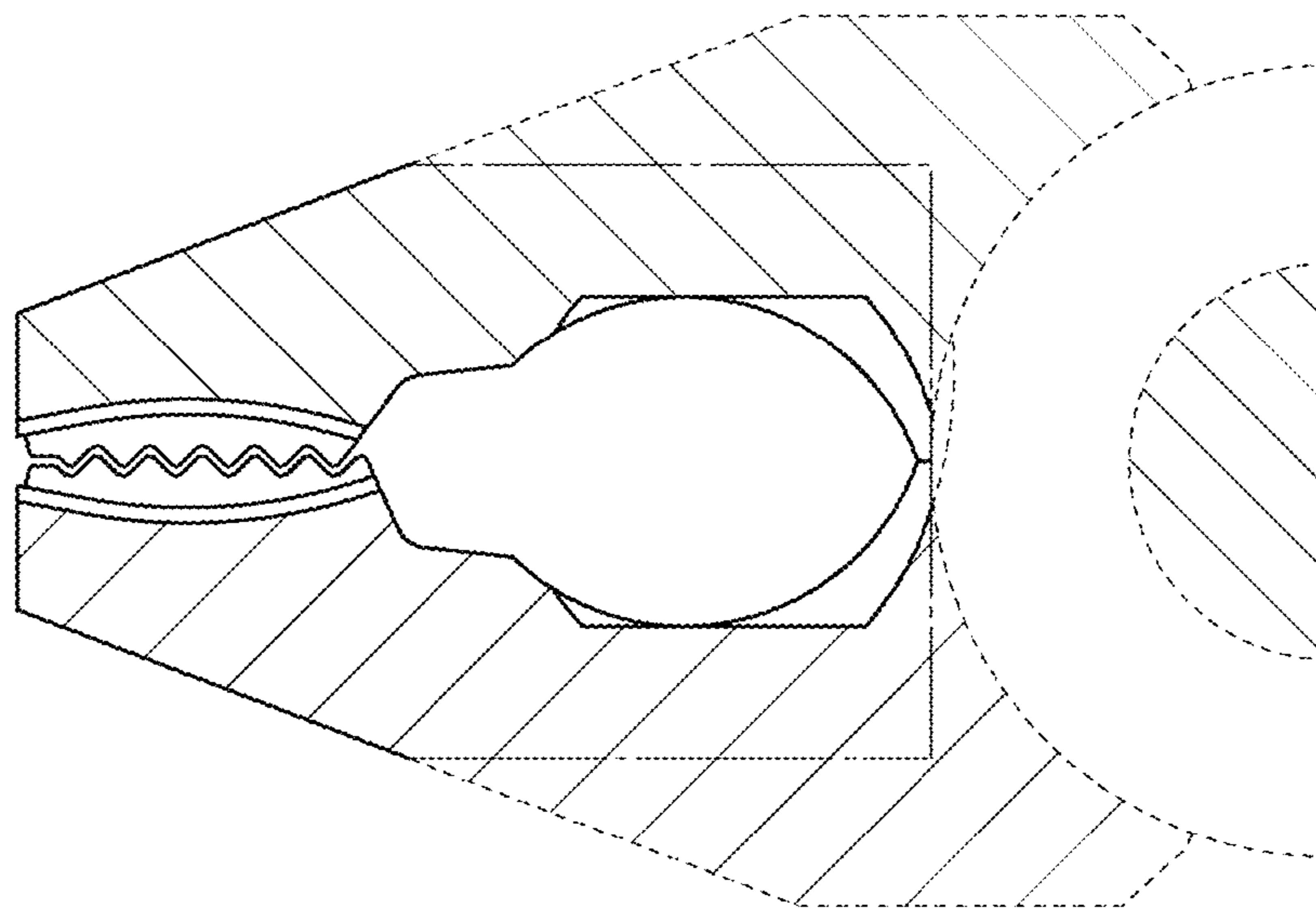
**Fig. 6**



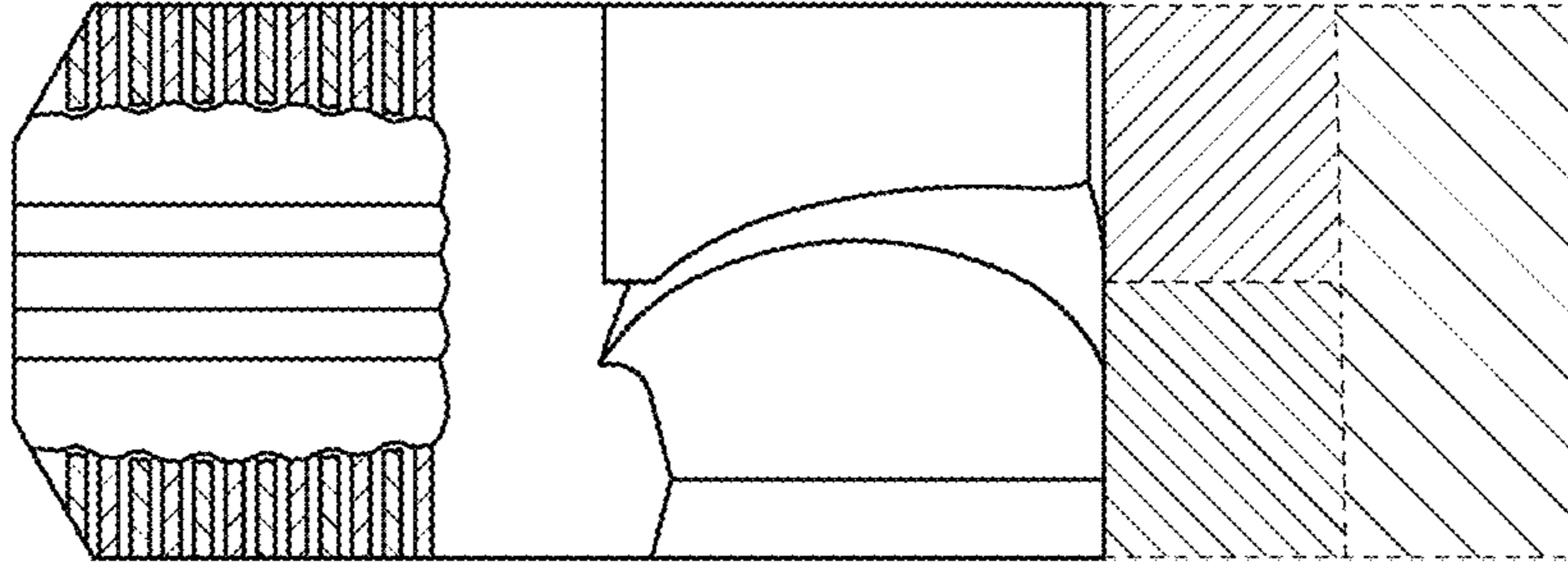
**Fig. 7**



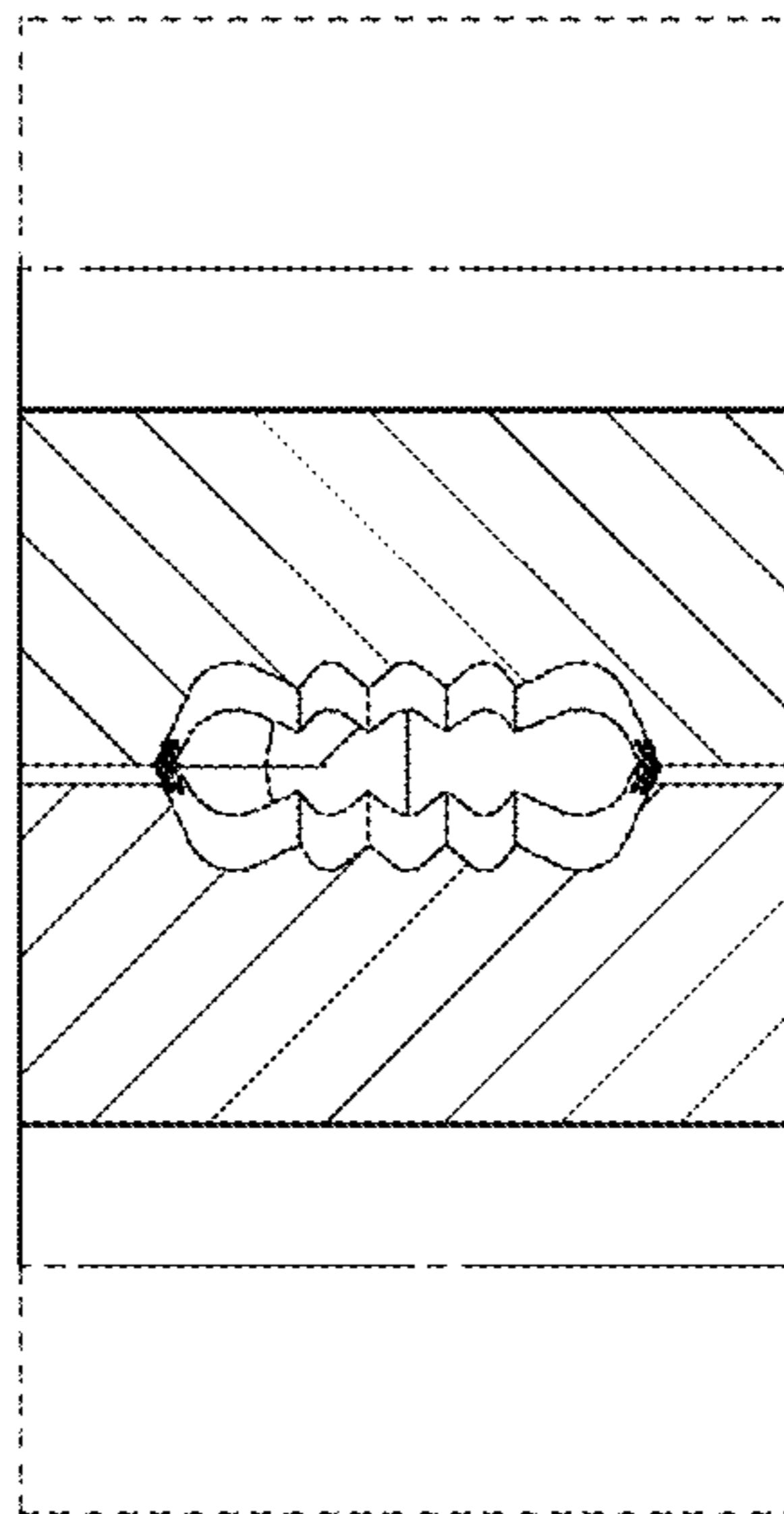
**Fig. 8**



**Fig. 9**



**Fig. 10**



**Fig. 11**

