



US00D778699S

(12) **United States Design Patent** (10) **Patent No.:** **US D778,699 S**
Roy (45) **Date of Patent:** **** *Feb. 14, 2017**

- (54) **OFFSET CROWS FOOT SOCKET**
- (71) Applicant: **Kenneth Roy**, Selkirk (CA)
- (72) Inventor: **Kenneth Roy**, Selkirk (CA)
- (*) Notice: This patent is subject to a terminal disclaimer.
- (**) Term: **14 Years**
- (21) Appl. No.: **29/492,827**
- (22) Filed: **Jun. 3, 2014**
- (51) **LOC (10) Cl.** **08-05**
- (52) **U.S. Cl.**
USPC **D8/27**
- (58) **Field of Classification Search**
USPC D8/17, 18, 19, 21, 26, 27, 28, 105; 81/119,
81/120, 121.1, 124.3, 124.4, 125.1,
81/176.1, 176.2, 186
See application file for complete search history.

4,774,862 A *	10/1988	Scull	81/119
5,582,083 A	12/1996	Baker		
5,671,644 A *	9/1997	Anderson	81/119
5,931,063 A *	8/1999	Kuo	81/119
6,135,607 A *	10/2000	Cook	362/119
6,481,317 B1	11/2002	Reyes		
6,805,029 B1 *	10/2004	Foster et al.	81/186
7,140,275 B1 *	11/2006	Staples	81/119
D600,083 S *	9/2009	Kerce	D8/28
D614,464 S *	4/2010	Wessel, IV	D8/29

* cited by examiner

Primary Examiner — Randall Gholson
(74) *Attorney, Agent, or Firm* — Daniel Boudwin; Global Intellectual Property Agency LLC

(57) **CLAIM**

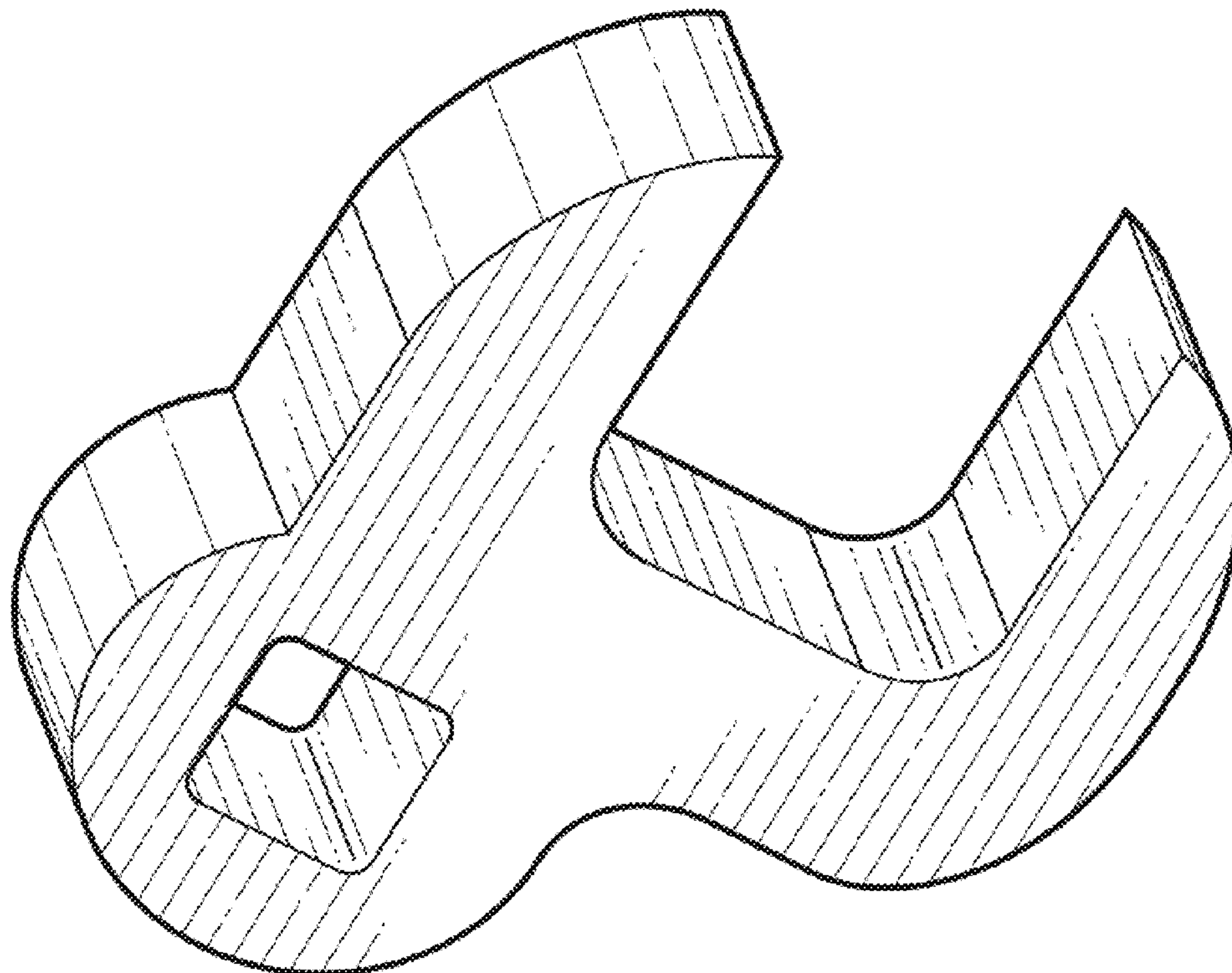
The ornamental design for an offset crows foot socket, as shown and described.

DESCRIPTION

FIG. 1 shows a bottom right side perspective view of my new design for an offset crows foot socket; FIG. 2 is a left side view thereof; FIG. 3 is a right side view thereof; FIG. 4 is a back side view thereof; FIG. 5 is a front side view thereof; FIG. 6 is a top side view thereof; and, FIG. 7 is a bottom side view thereof.

1 Claim, 2 Drawing Sheets

- (56) **References Cited**
U.S. PATENT DOCUMENTS
3,039,339 A 6/1962 Hanson
4,548,104 A 10/1985 Hendricks



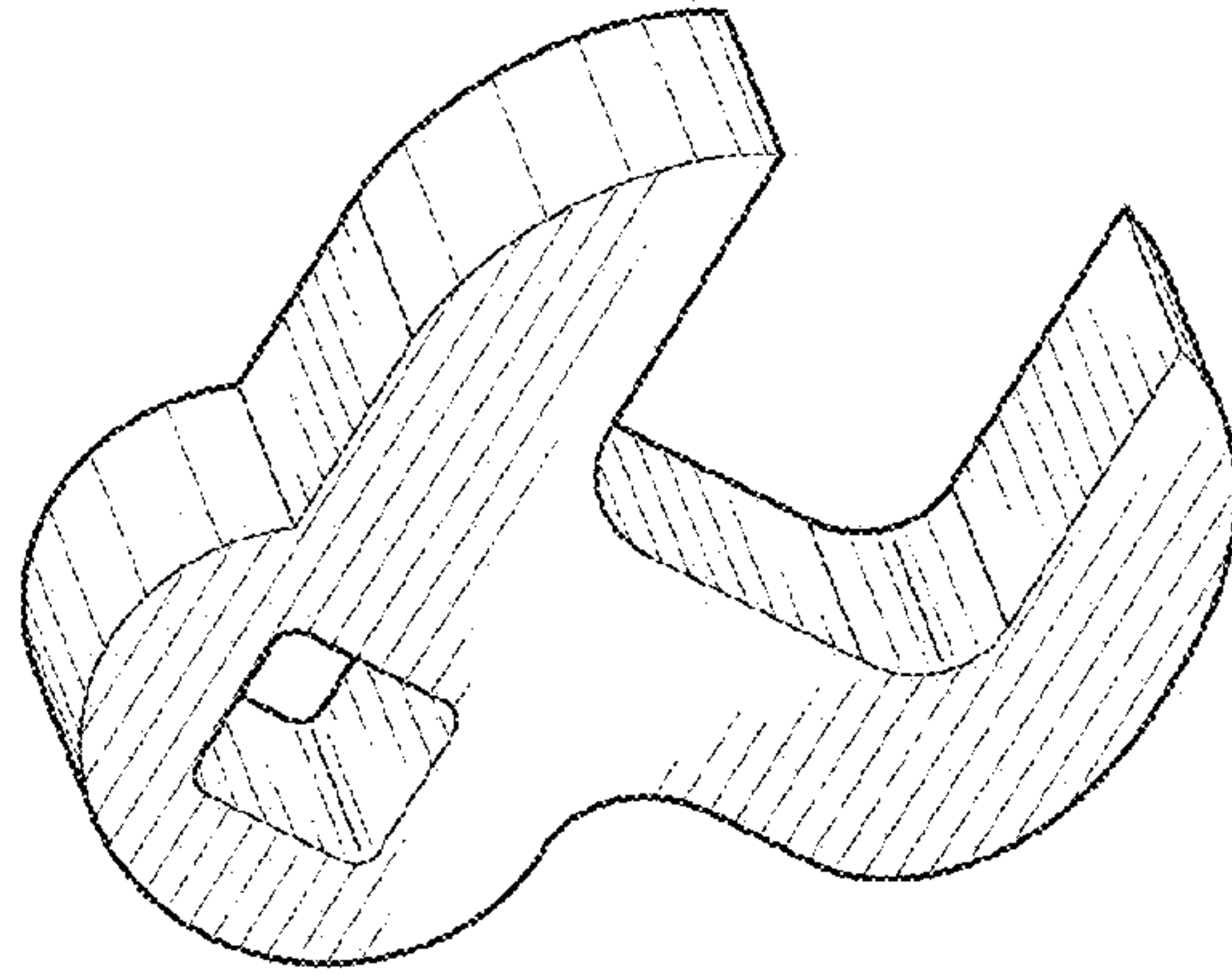


FIG. 1

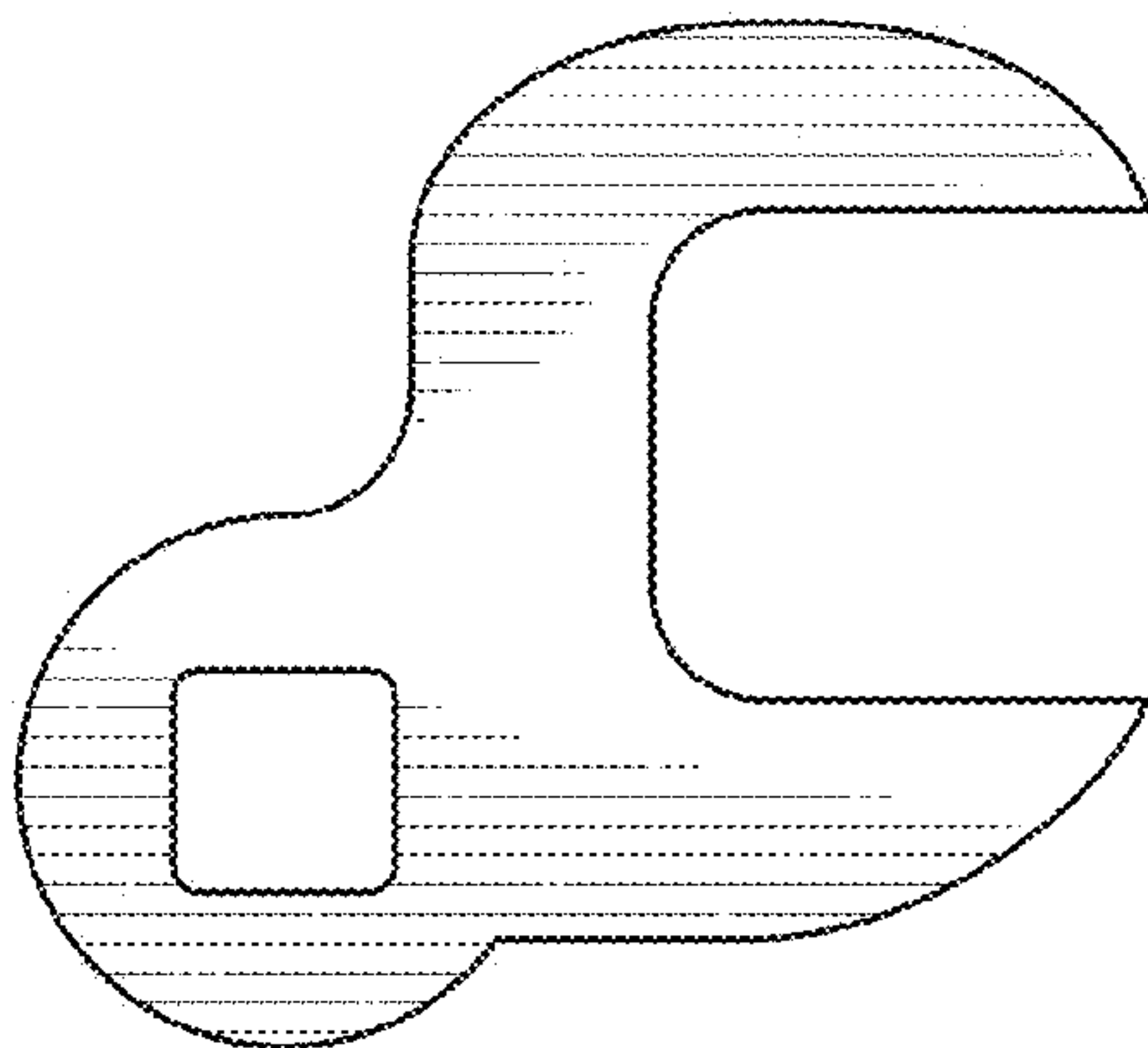


FIG. 2

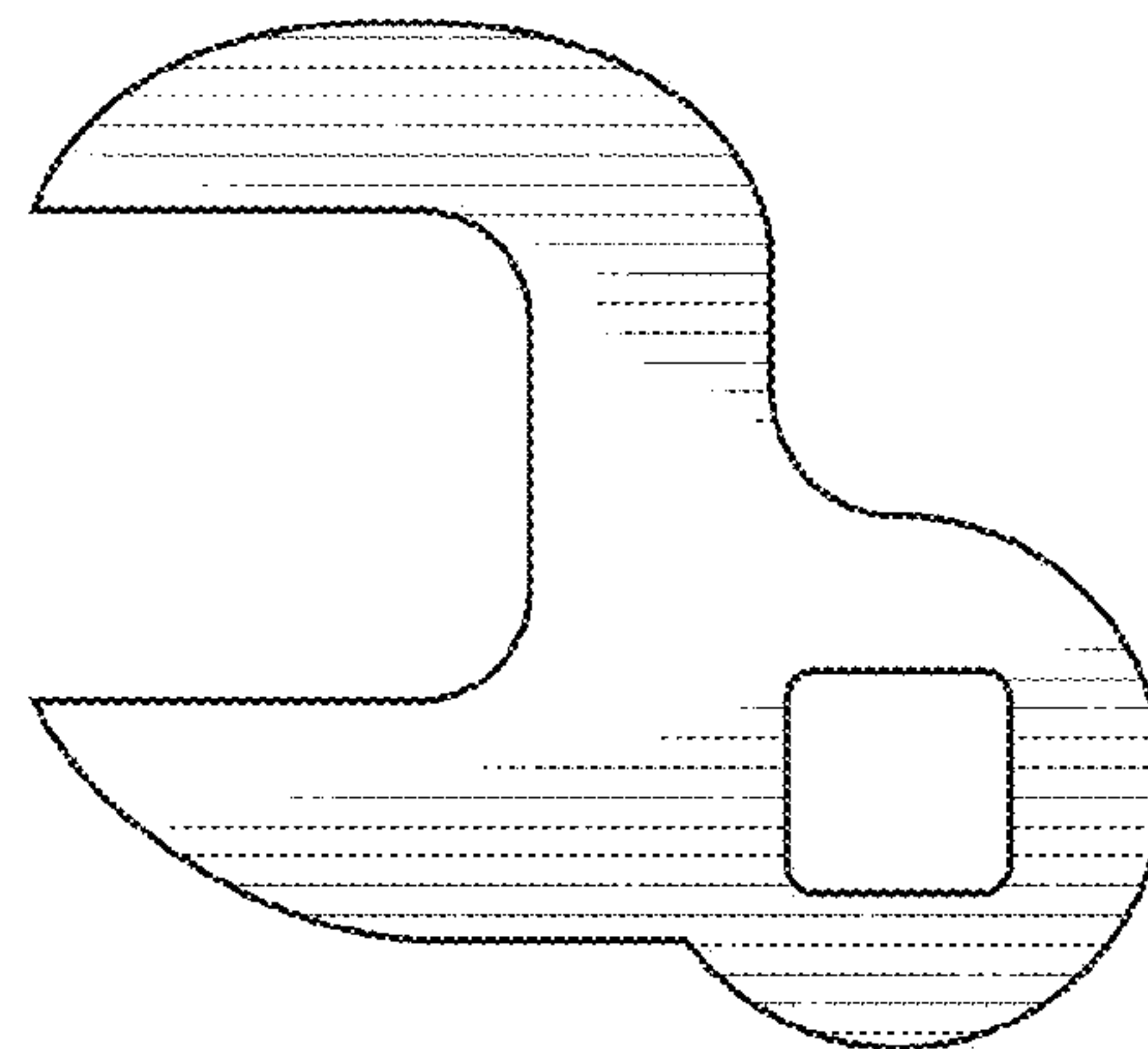


FIG. 3

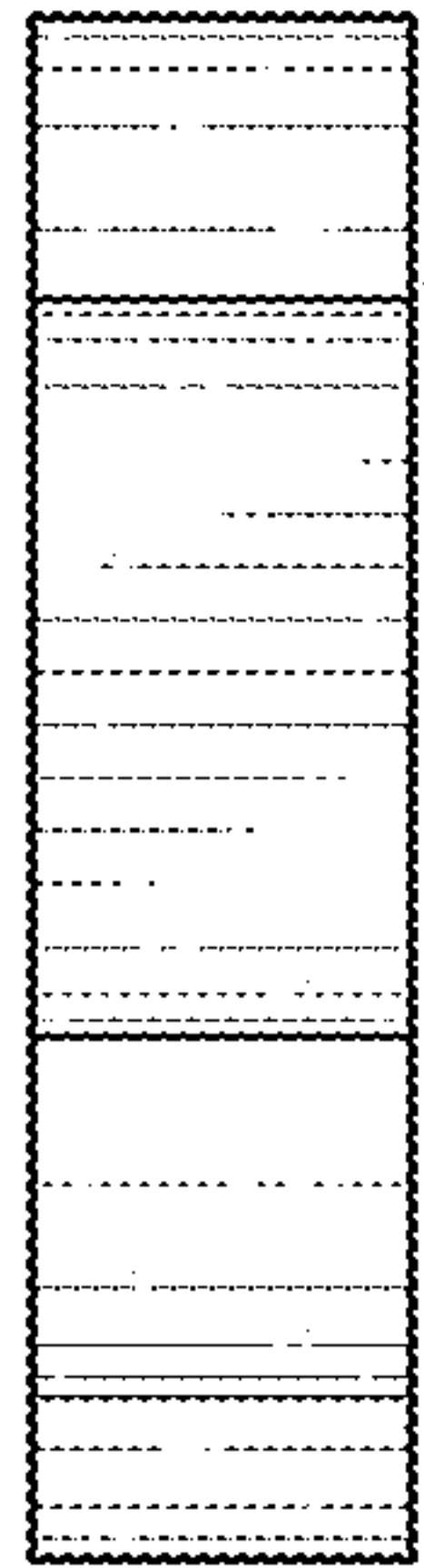


FIG. 4

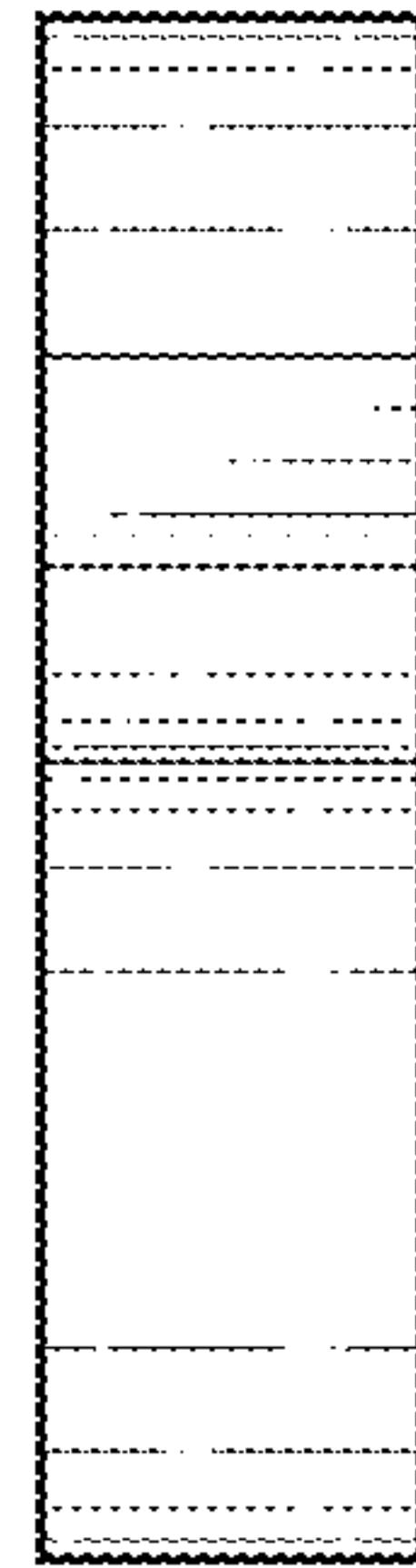


FIG. 5

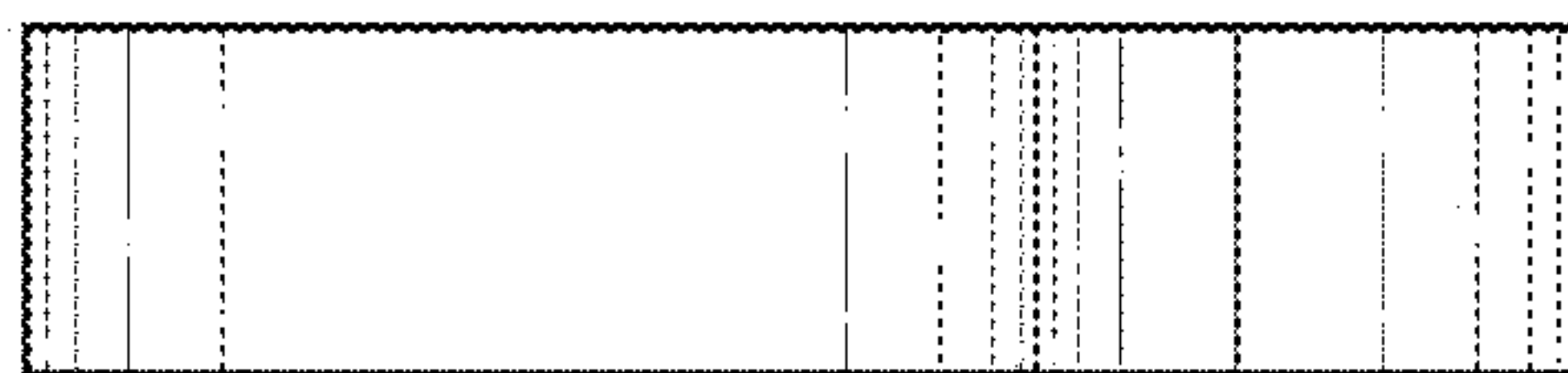


FIG. 6

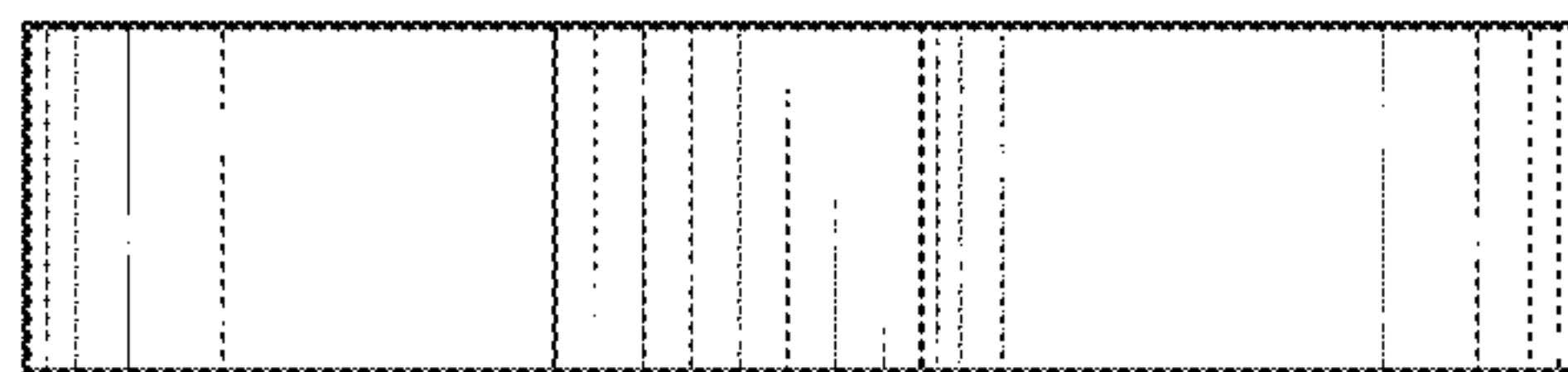


FIG. 7