



US00D778698S

(12) **United States Design Patent**
Huang

(10) **Patent No.:** **US D778,698 S**

(45) **Date of Patent:** **** Feb. 14, 2017**

(54) **RATCHET HANDLE HAVING A
REMOVABLE EXTENSION MEMBER**

D670,984 S * 11/2012 Albertson D8/25
D704,521 S * 5/2014 Su D8/107
D720,975 S * 1/2015 Theissen D8/25

(71) Applicant: **Test Rite Products Corp.**, Ontario, CA
(US)

* cited by examiner

(72) Inventor: **Kevin Kai Huang**, Diamond Bar, CA
(US)

Primary Examiner — Randall Gholson

(74) *Attorney, Agent, or Firm* — Treasure IP Group., LLC

(73) Assignee: **Test Rite Product Corp.**, Ontario (CA)

(**) Term: **15 Years**

(57) **CLAIM**

(21) Appl. No.: **29/531,464**

An ornamental design for a ratchet handle having a remov-
able extension member, as shown and described.

(22) Filed: **Jun. 25, 2015**

(51) **LOC (10) Cl.** **08-05**

(52) **U.S. Cl.**
USPC **D8/25**

DESCRIPTION

(58) **Field of Classification Search**
USPC D8/25, 60, 97, 107; 81/177.1, 177.85,
81/121.1, 124.3, 165–170, 110.1, 176.2,
81/124.6, 176.1, 176.15, 177.2, 186, 467,
81/476, 478, 480; 16/110.1; 192/44, 45,
192/54.52; D24/133, 145, 147; 606/54,
606/59, 62, 63, 60, 64

FIG. 1 is a top perspective view of my new design for a
ratchet handle having a removable extension member;
FIG. 2 is a bottom perspective view thereof;
FIG. 3 is a top view thereof;
FIG. 4 is a bottom view thereof;
FIG. 5 is a left side view thereof;
FIG. 6 is a right side view thereof;
FIG. 7 is an exploded top perspective view thereof;
FIG. 8 is an exploded top view thereof;
FIG. 9 is a perspective view of the insertion member of the
ratchet handle having a removable extension member shown
separately for clarity; and,
FIG. 10 is a top view of the insertion member of the ratchet
handle having a removable extension member shown sepa-
rately for clarity.

CPC B25G 1/00; B25B 1/00; B25B 13/00;
B25B 23/00

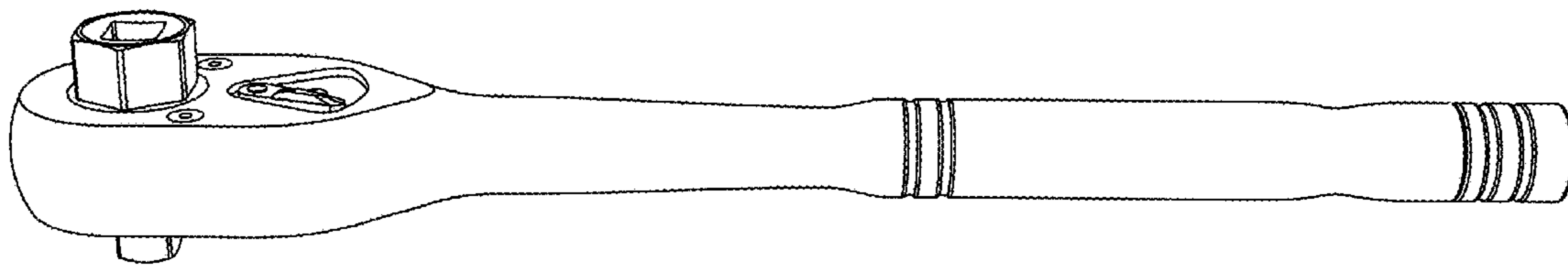
See application file for complete search history.

(56) **References Cited**

U.S. PATENT DOCUMENTS

D493,341 S * 7/2004 Chen D8/25
8,205,529 B1 * 6/2012 Laurie B25B 13/463
81/177.85

1 Claim, 5 Drawing Sheets



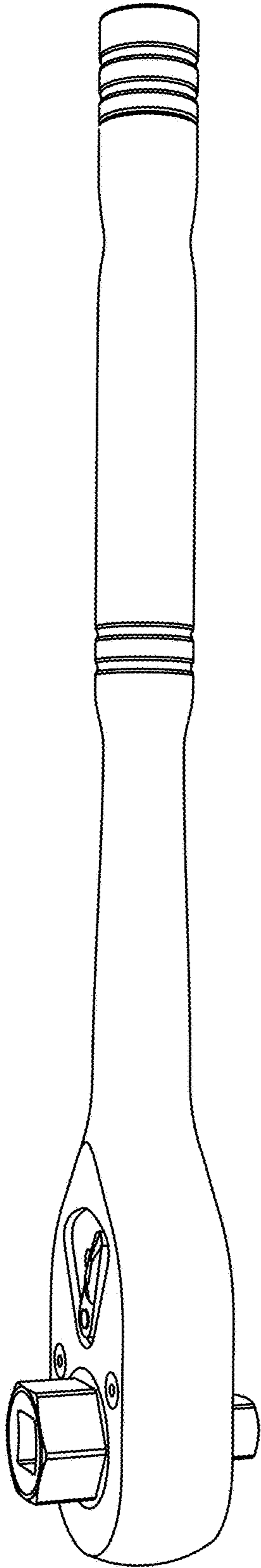


FIG.1

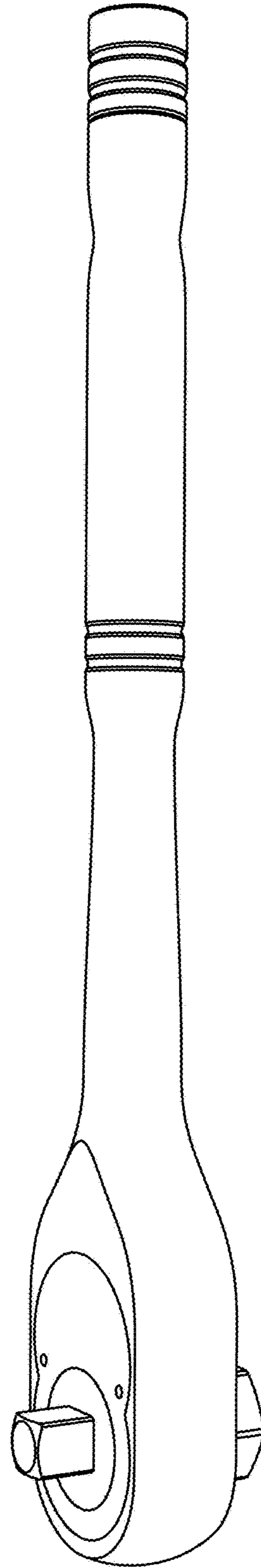


FIG.2

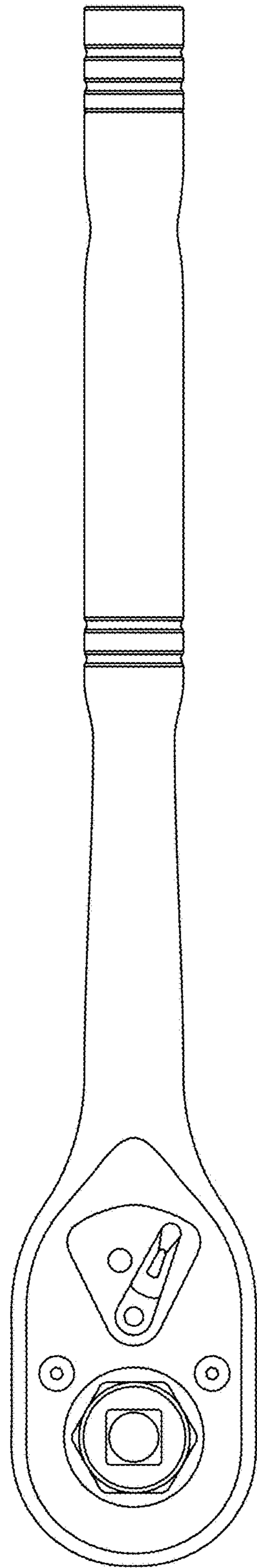


FIG.3

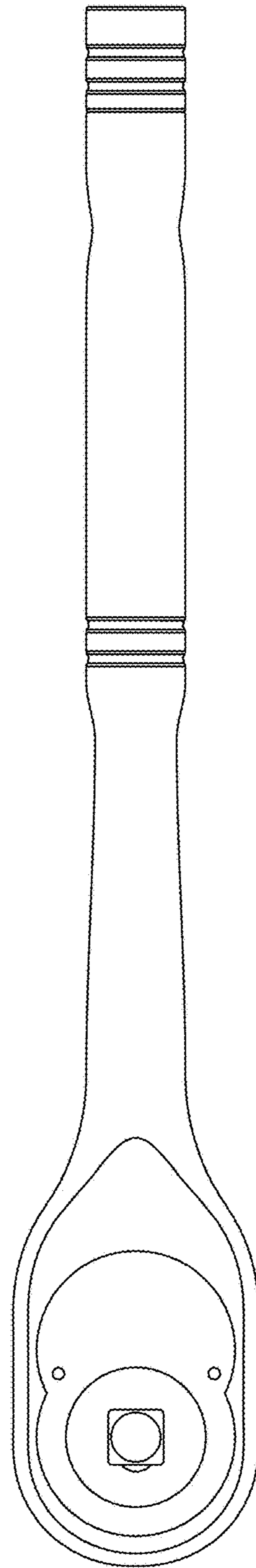


FIG.4

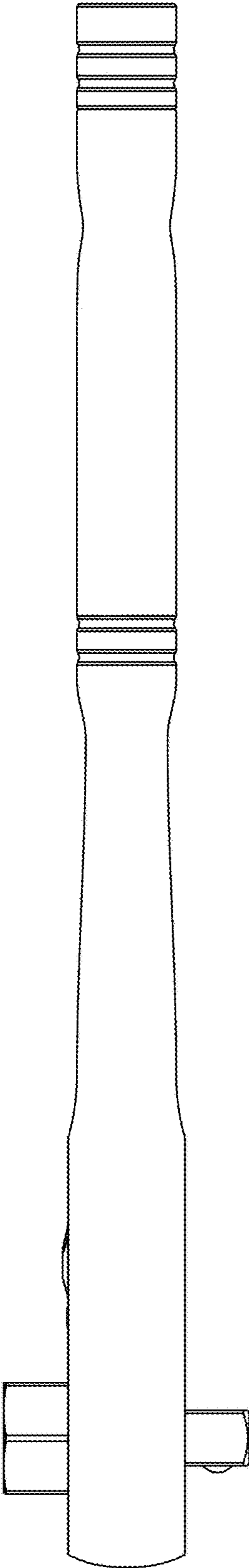


FIG. 5

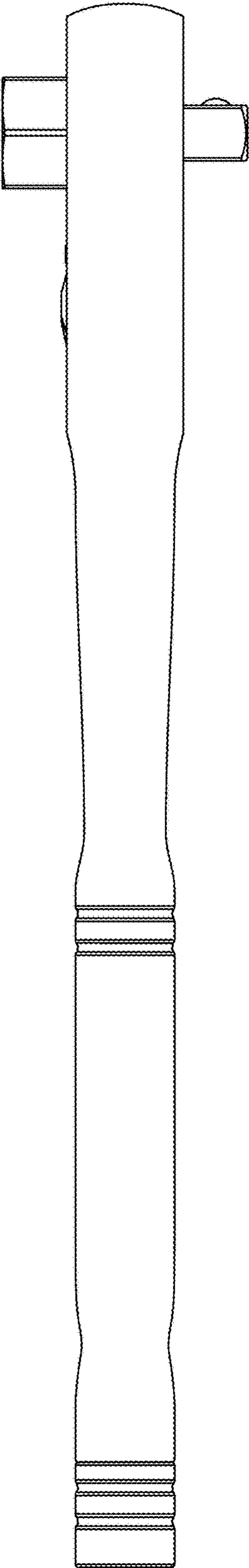


FIG. 6

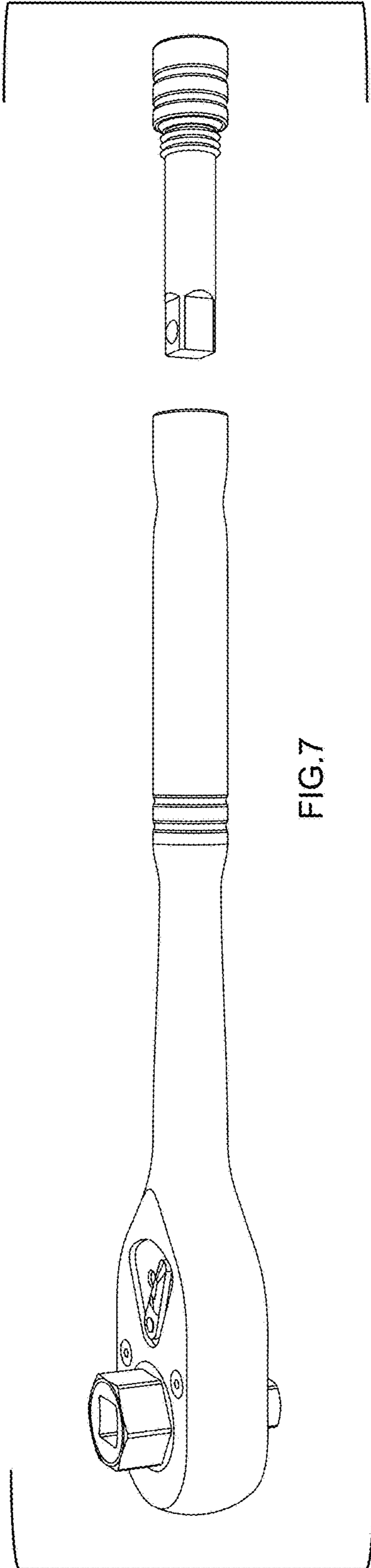


FIG. 7

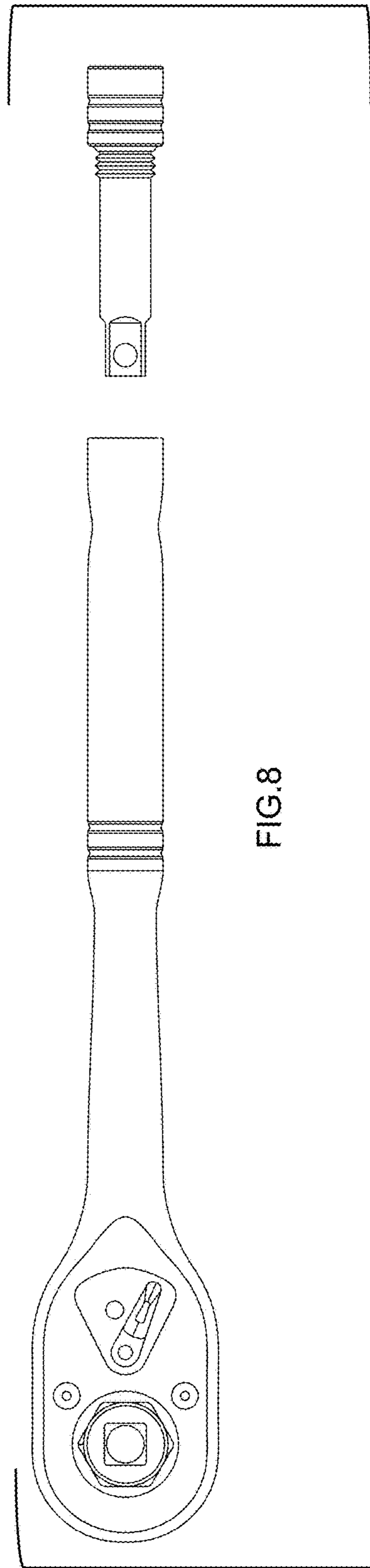


FIG. 8

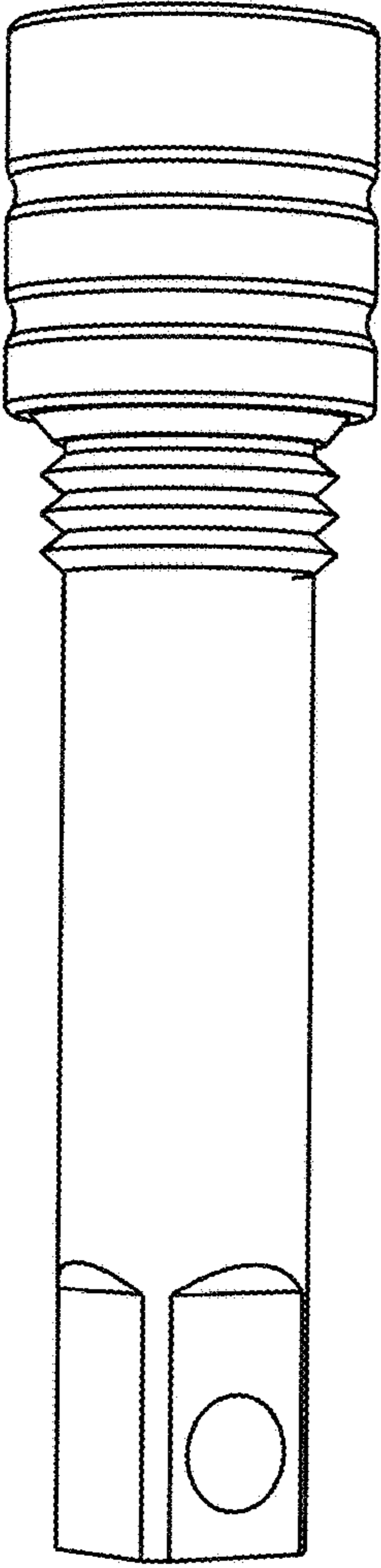


FIG. 9

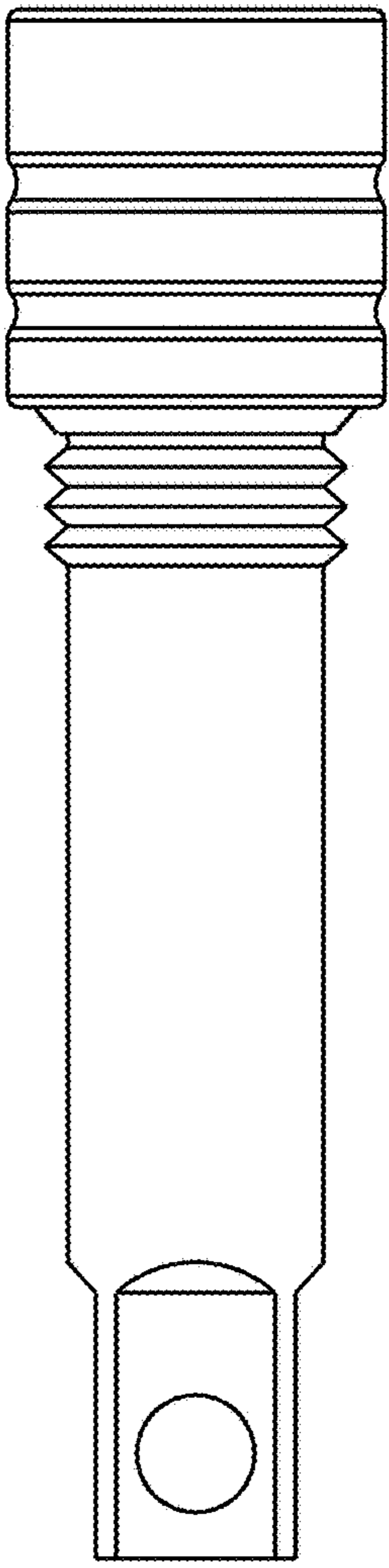


FIG. 10