



US00D778697S

(12) **United States Design Patent** (10) **Patent No.:** **US D778,697 S**  
**Tao et al.** (45) **Date of Patent:** **\*\* Feb. 14, 2017**

(54) **SIM TRAY EJECTION DEVICE**  
(71) Applicant: **BlackBerry Limited**, Waterloo (CA)  
(72) Inventors: **Di Tao**, Toronto (CA); **Brian Dennis Paschke**, Toronto (CA); **Patrick Edward Everts Kroetsch**, Toronto (CA)  
(73) Assignee: **BlackBerry Limited**, Waterloo, Ontario (CA)

D323,451 S \* 1/1992 Preston ..... D8/105  
D376,520 S \* 12/1996 Morin ..... D8/14  
D416,771 S \* 11/1999 Cagle ..... D8/14  
D439,127 S \* 3/2001 Loudon ..... D8/14  
D440,476 S \* 4/2001 Del Gaone ..... D8/14  
D467,477 S \* 12/2002 Berens ..... D8/14  
D574,201 S \* 8/2008 Fisher ..... D8/14  
D609,069 S \* 2/2010 Fischer ..... D8/34  
D625,577 S \* 10/2010 Bainter ..... D8/347  
D637,185 S \* 5/2011 Silverio ..... D14/230  
8,371,866 B1 \* 2/2013 Su ..... G06K 13/0862  
439/159

(Continued)

(\*\*) Term: **14 Years**

(21) Appl. No.: **29/511,197**

(22) Filed: **Dec. 8, 2014**

(51) **LOC (10) Cl.** ..... **08-04**

(52) **U.S. Cl.**  
USPC ..... **D8/14**; D14/217; D14/299

(58) **Field of Classification Search**  
USPC D8/14, 16, 88, 89, 105, 107, 347; D10/128;  
D14/138 AA, 138 AB, 138 AD,  
D14/138 AC, 138 C, 138 G, 138 R, 236,  
D14/248, 250, 253, 440; D21/730–731,  
D21/753  
CPC ..... B25B 13/48; B25B 13/54; A47J 43/0711  
See application file for complete search history.

(56) **References Cited**

**U.S. PATENT DOCUMENTS**

1,536,255 A \* 5/1925 Beal ..... A63B 59/80  
473/530  
D115,222 S \* 6/1939 Storch ..... D28/64.4  
2,755,465 A \* 7/1956 Forrest ..... H01Q 13/10  
343/741  
D247,018 S \* 1/1978 Kramer ..... D8/14  
4,226,457 A \* 10/1980 Shutt ..... B65G 7/12  
294/15  
4,231,247 A \* 11/1980 Haydon ..... B21D 1/06  
411/400  
D283,240 S \* 4/1986 Melby ..... D21/730  
D299,612 S \* 1/1989 Bradley ..... D8/107

**OTHER PUBLICATIONS**

Dannycos—Large Square Hand Mirror sales sheet [online], CanWest Wholesale Esthetics Supplies, Retrieved on Oct. 25, 2016 from <URL: <http://canwestwholesaleesthetics.com/products/dannycos-large-square-hand-mirror>>.\*

(Continued)

*Primary Examiner* — Sheryl Lane  
*Assistant Examiner* — Calvin E Vansant  
(74) *Attorney, Agent, or Firm* — Jon Gibbons; Fleit Gibbons Gutman Bongini & Bianco, P.L.

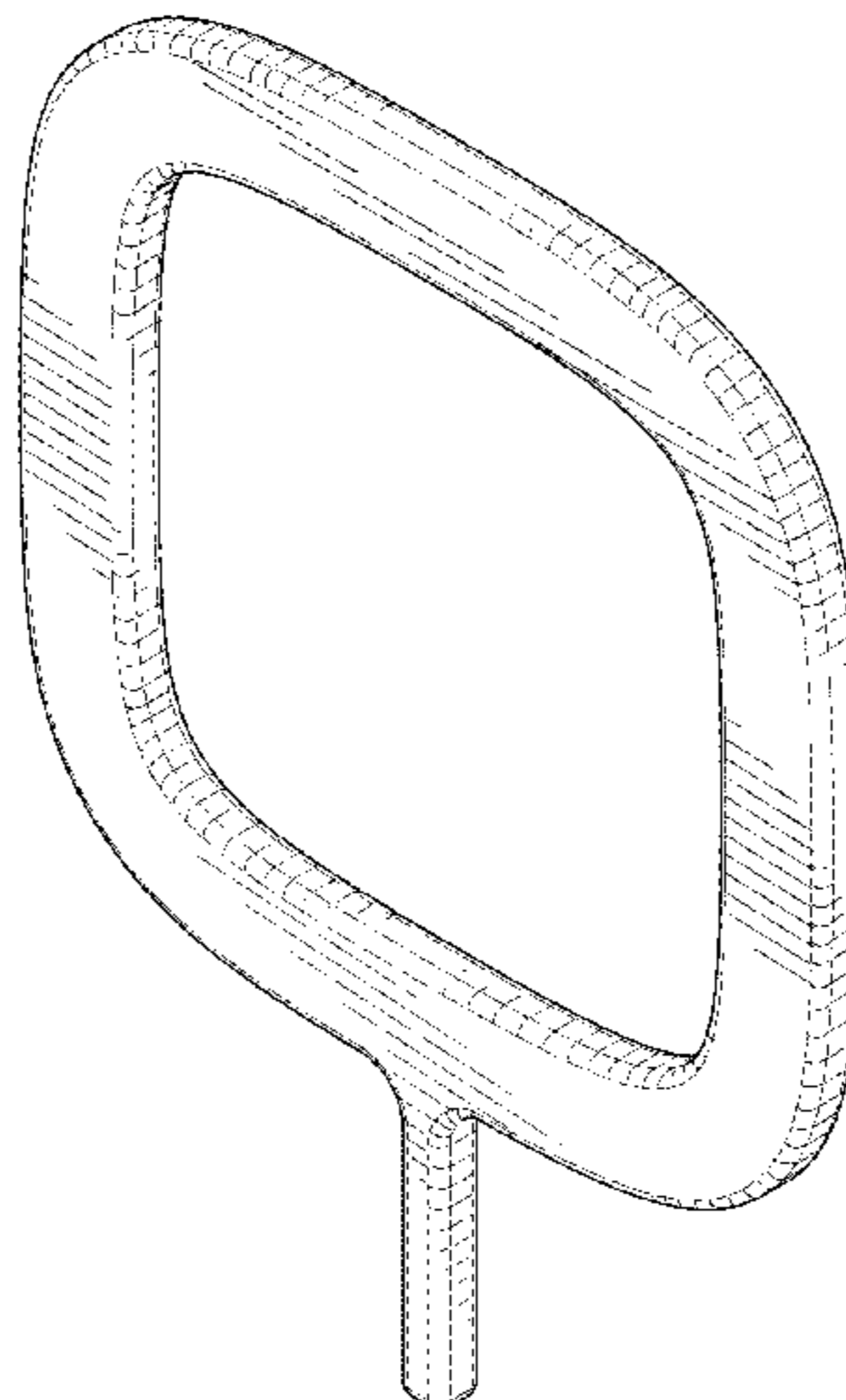
(57) **CLAIM**

The ornamental design for a SIM tray ejection device, as shown and described.

**DESCRIPTION**

FIG. 1 is a perspective view of the SIM tray ejection device; FIG. 2 is another perspective view thereof; FIG. 3 is a first plan view thereof; FIG. 4 is a second plan view thereof showing the surface opposite from the one of the first plan view; FIG. 5 is a first elevation view thereof; FIG. 6 is a second elevation view thereof; FIG. 7 is a third elevation view thereof; and, FIG. 8 is a fourth elevation view thereof.

**1 Claim, 6 Drawing Sheets**



(56)

**References Cited**

## U.S. PATENT DOCUMENTS

D680,403 S \* 4/2013 Adams ..... D8/107  
D688,105 S \* 8/2013 Paschke ..... D8/14  
D731,285 S \* 6/2015 Hardy ..... D8/303  
2009/0049885 A1\* 2/2009 Postma ..... B21D 1/06  
72/379.2  
2013/0044438 A1\* 2/2013 Tang ..... G06K 13/08  
361/737

## OTHER PUBLICATIONS

Stylenanda 3CE Square Hand Mirror, TesterKorea.com, Retrieved on Oct. 25, 2016 from <URL: <http://www.testerkorea.com/Product/stylenanda-3-concept-eyes-square-hand-mirror>>.\*

Montano, J., My Nokia Blog: How to: Opening the SIM-tray on your Nokia Lumia 920, Nov. 15, 2012, [online], Retrieved on Oct. 25, 2016 from <URL: <http://mynokiablog.com/2012/11/15/how-to-opening-the-sim-tray-on-your-nokia-lumia-920-900-too/>>.\*

Sridhar, S., Oppo N1 Mini Review, fonearena.com [online], Noted for photo relating to “Box Contents”, Retrieved Oct. 25, 2016 from <URL: <http://www.fonearena.com/blog/115204/oppo-n1-mini-review.html>>.\*

SIM Card Needle Tool for Iphone + load—Silver, product sheet [online], dx.com, Retrieved on Jan. 25, 2016 from <URL: [http://www.dx.com/p/sim-card-needle-tool-for-iphone-ipad-silver-186833#.WAeQ8Pn4\\_is](http://www.dx.com/p/sim-card-needle-tool-for-iphone-ipad-silver-186833#.WAeQ8Pn4_is)>.\*

Autodesk Premium, Square Bubble Wand, Autodesk 123D, 123dapp.com [online], Apr. 2, 2013, Retrieved on 201-10-25 from <URL: <http://www.123dapp.com/123C-3D-Model/Square-Bubble-Wand/1339288>>.\*

\* cited by examiner

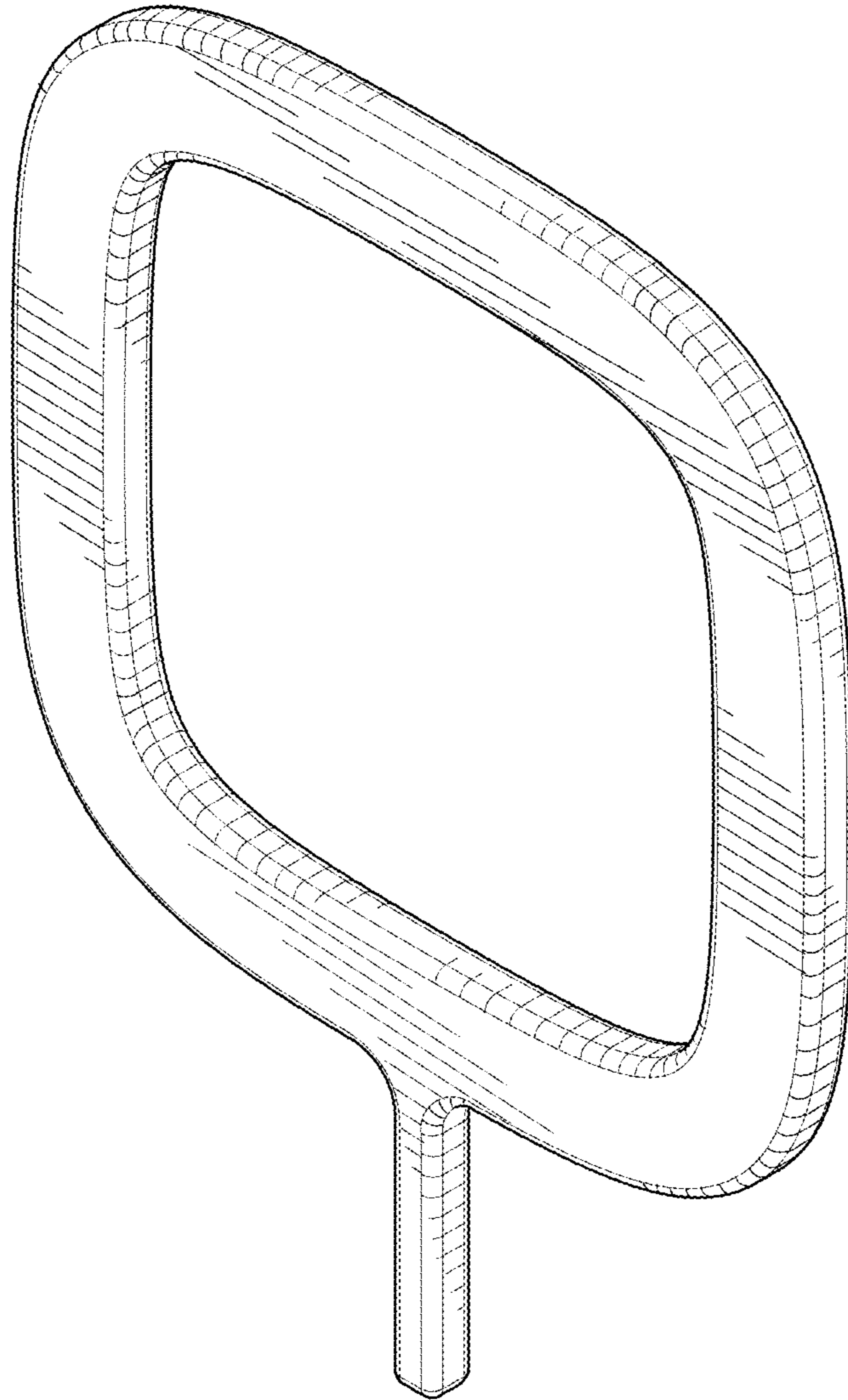


FIG. 1

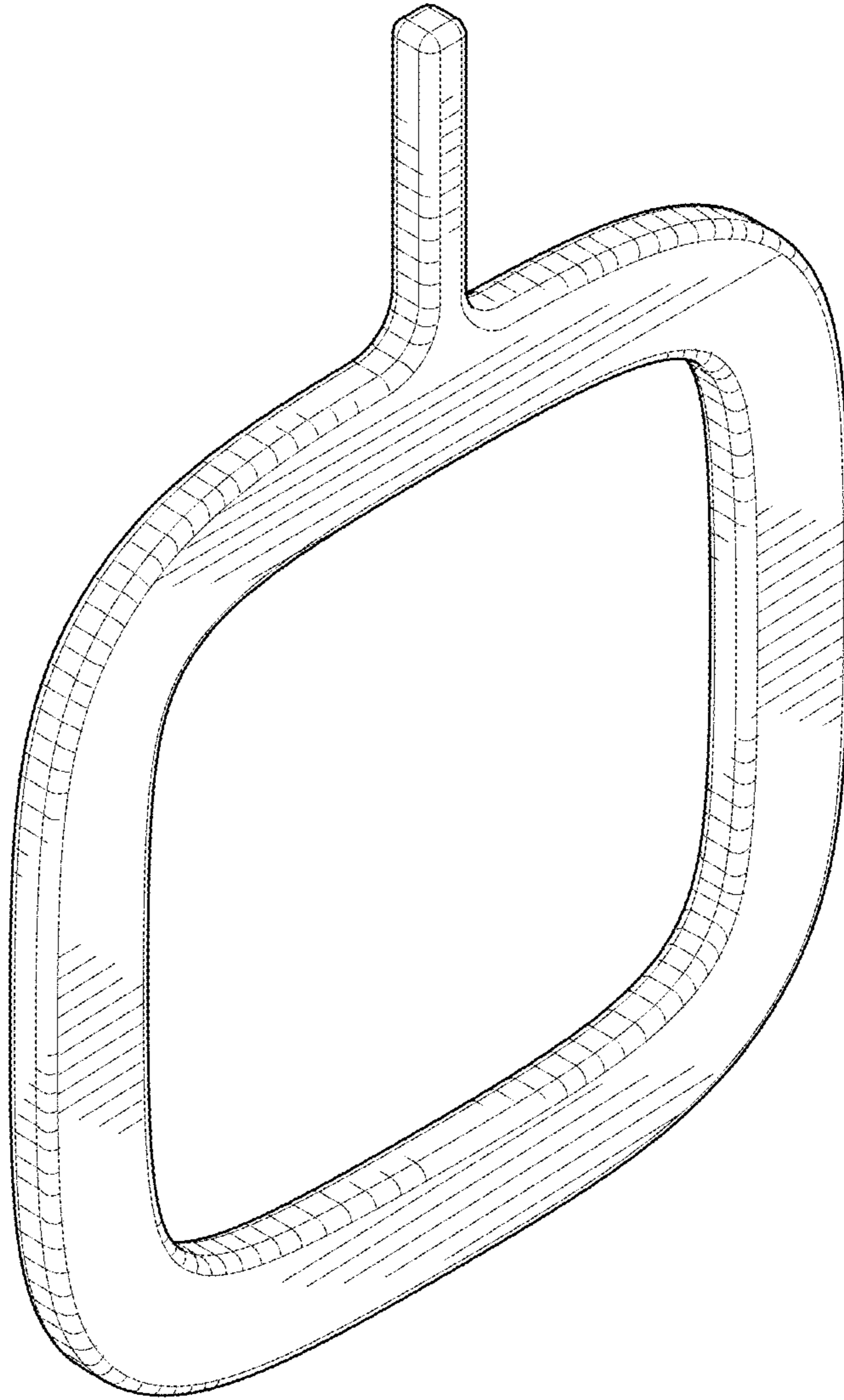


FIG. 2

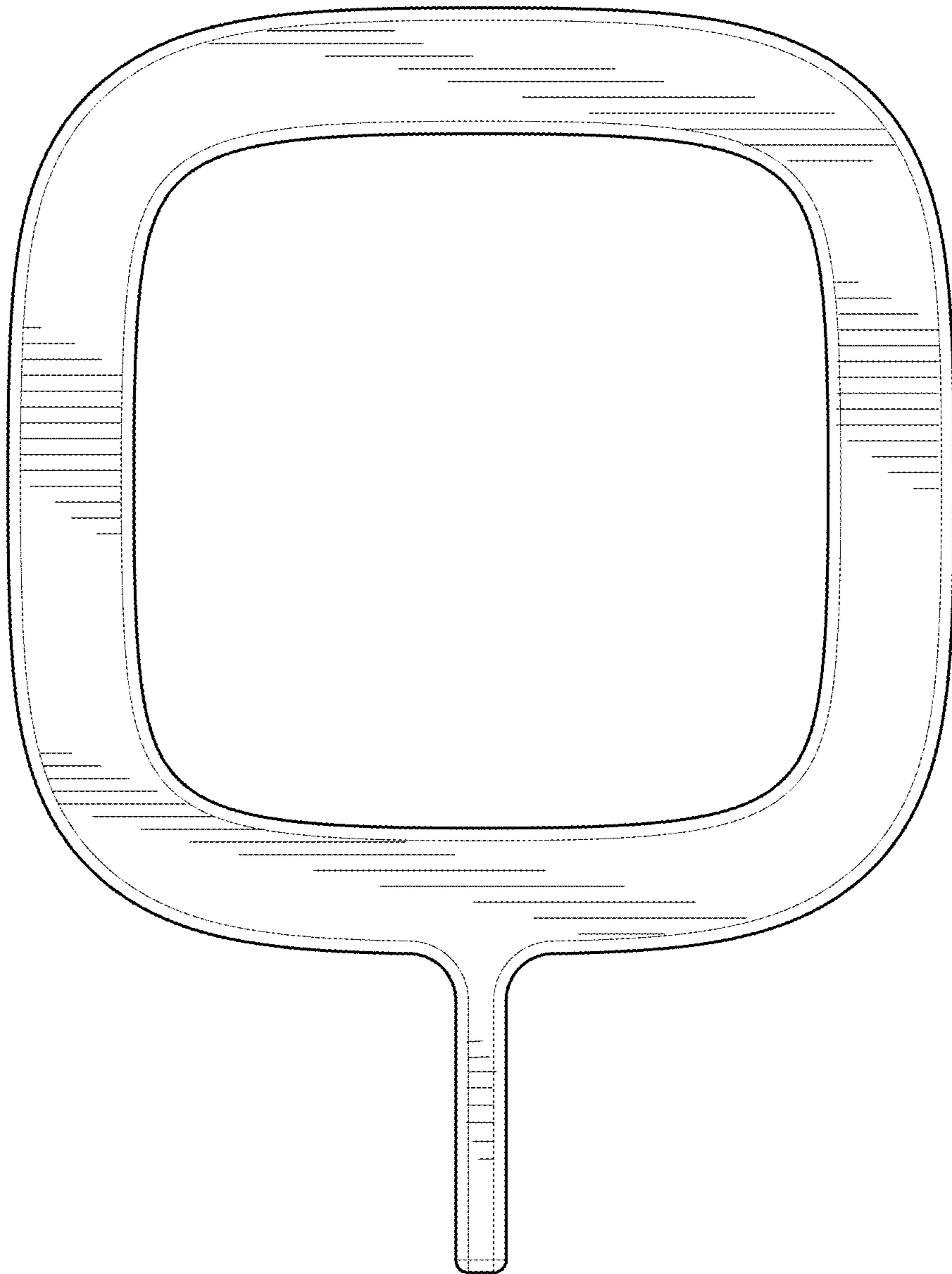


FIG.3

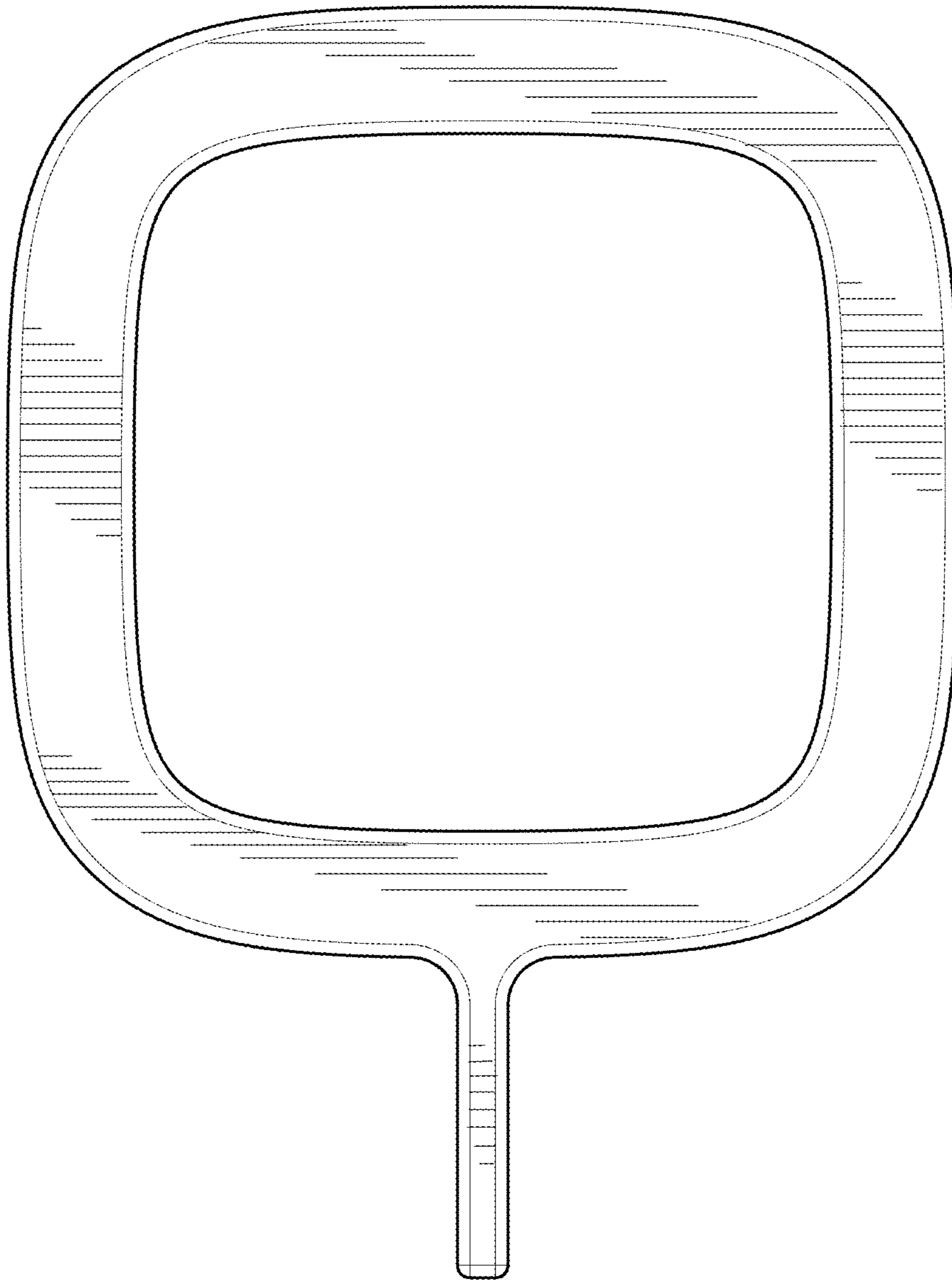


FIG.4



FIG. 5

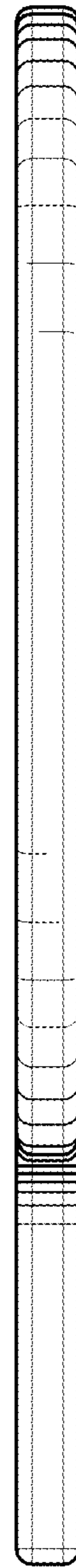


FIG. 6

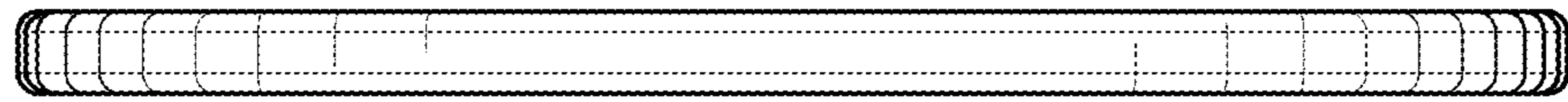


FIG. 7



FIG. 8